



US00D715507S

(12) **United States Design Patent**
van Pruysen

(10) **Patent No.:** **US D715,507 S**

(45) **Date of Patent:** **** Oct. 14, 2014**

(54) **CONTAINERS**

(71) Applicant: **Clariant Production (France) SAS,**
Trosly Breuil (FR)

(72) Inventor: **M. Michel van Pruysen,** Romorantin
(FR)

(73) Assignee: **Clariant Production (France) SAS,**
Trosly Breuil (FR)

(**) Term: **14 Years**

(21) Appl. No.: **29/434,299**

(22) Filed: **Oct. 11, 2012**

(51) **LOC (10) Cl.** **07-07**

(52) **U.S. Cl.**
USPC **D32/53**

(58) **Field of Classification Search**
USPC D32/53-54; 220/659, 904; 15/260-264
See application file for complete search history.

(56) **References Cited**

U.S. PATENT DOCUMENTS

2,755,838	A *	7/1956	Kennedy, Jr.	220/9.1
D329,572	S *	9/1992	Krupa	D7/542
5,971,199	A *	10/1999	Jackson et al.	220/608
D469,233	S *	1/2003	Begnani	D32/53

D633,675	S *	3/2011	Libman et al.	D32/53
D636,549	S *	4/2011	Rockwell et al.	D32/53
D683,510	S *	5/2013	Schick	D32/53
D683,920	S *	6/2013	Bonafide	D32/53
D684,328	S *	6/2013	Vasilakes et al.	D32/53

* cited by examiner

Primary Examiner — Robin V Webster

(74) *Attorney, Agent, or Firm* — Scully, Scott, Murphy & Presser, P.C.

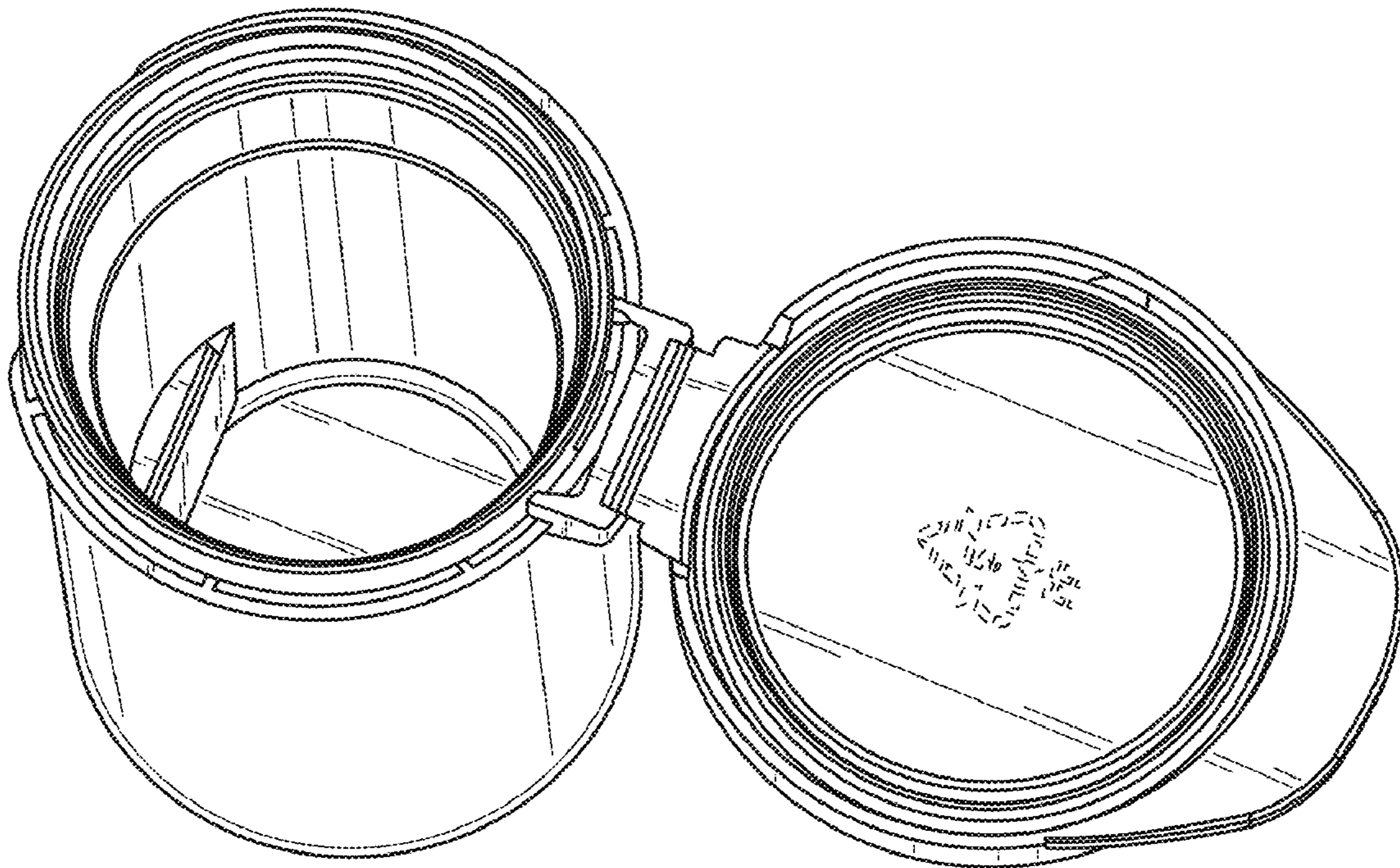
(57) **CLAIM**

The ornamental design for a container, as shown and described.

DESCRIPTION

FIG. 1 illustrates a sectional view of a container along lines 1-1 of FIG. 4 showing my new ornamental design; FIG. 2 illustrates a side view thereof; FIG. 3 illustrates a front view thereof; FIG. 4 illustrates a perspective view thereof; FIG. 5 illustrates a sectional view thereof along the lines 5-5 of FIG. 2; FIG. 6 illustrates a top view thereof; and, FIG. 7 illustrates a perspective view thereof. The broken line showing in FIGS. 6 and 7 is included for the purpose of illustrating and forms no part of the claimed design.

1 Claim, 7 Drawing Sheets



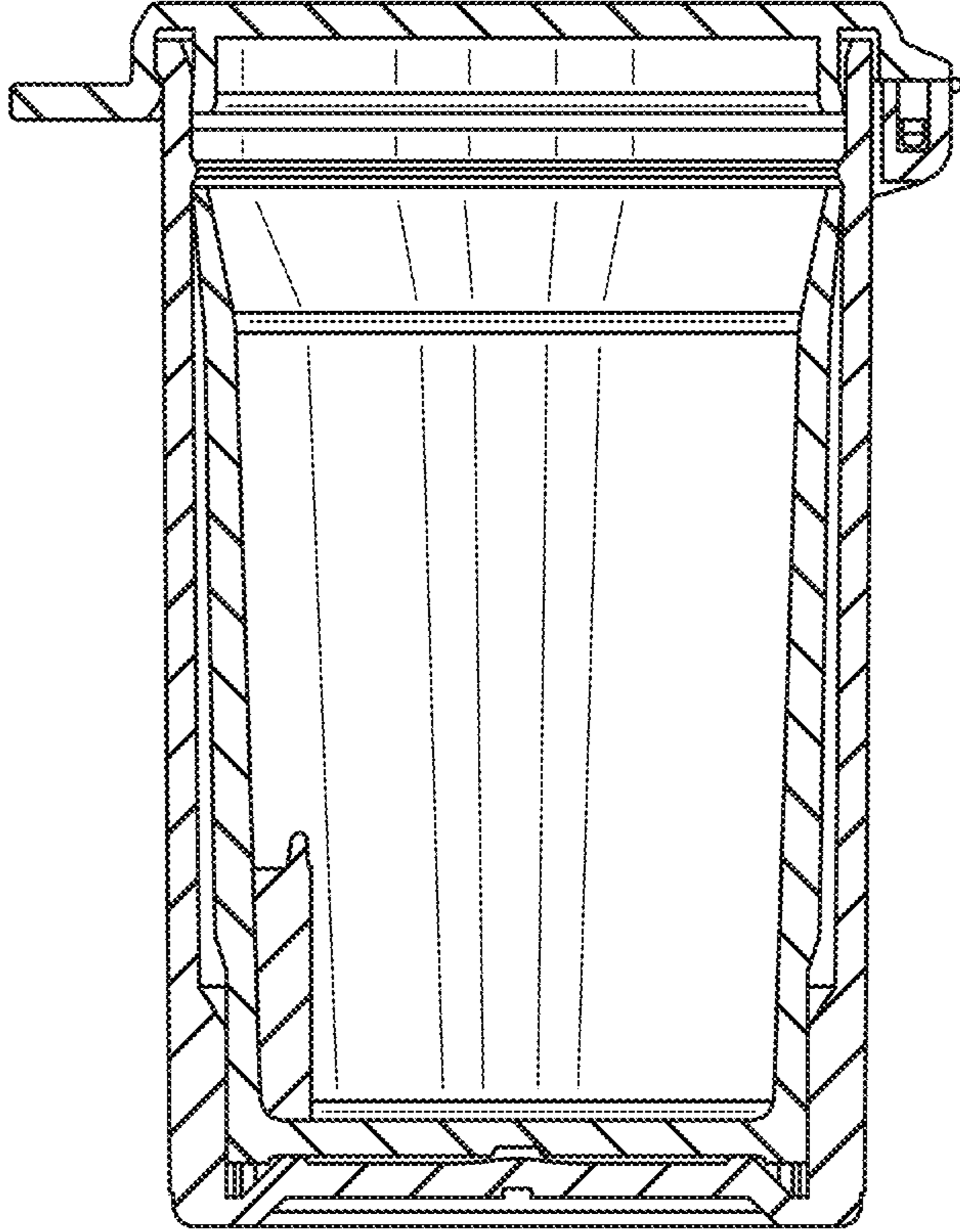


FIG. 1

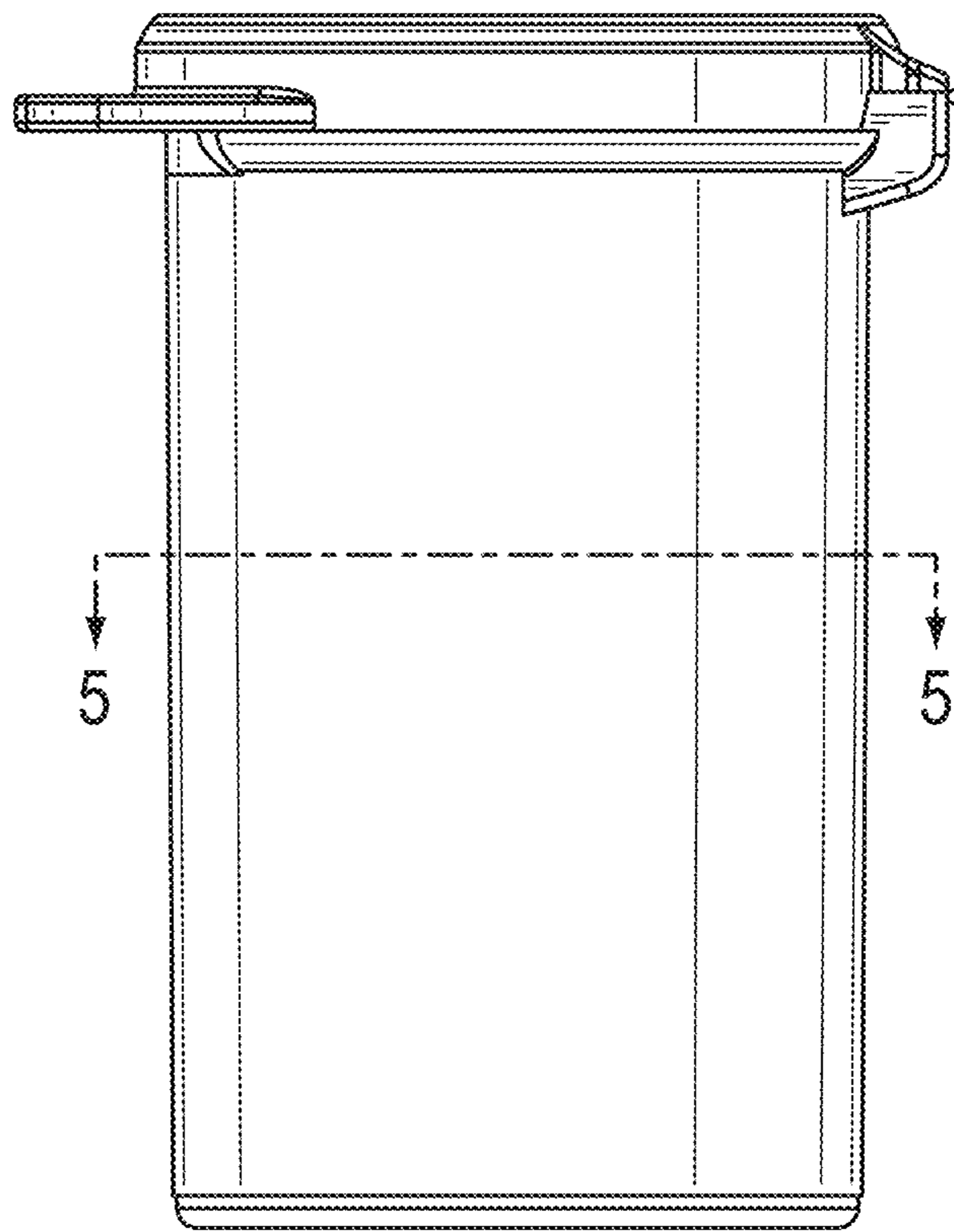


FIG. 2

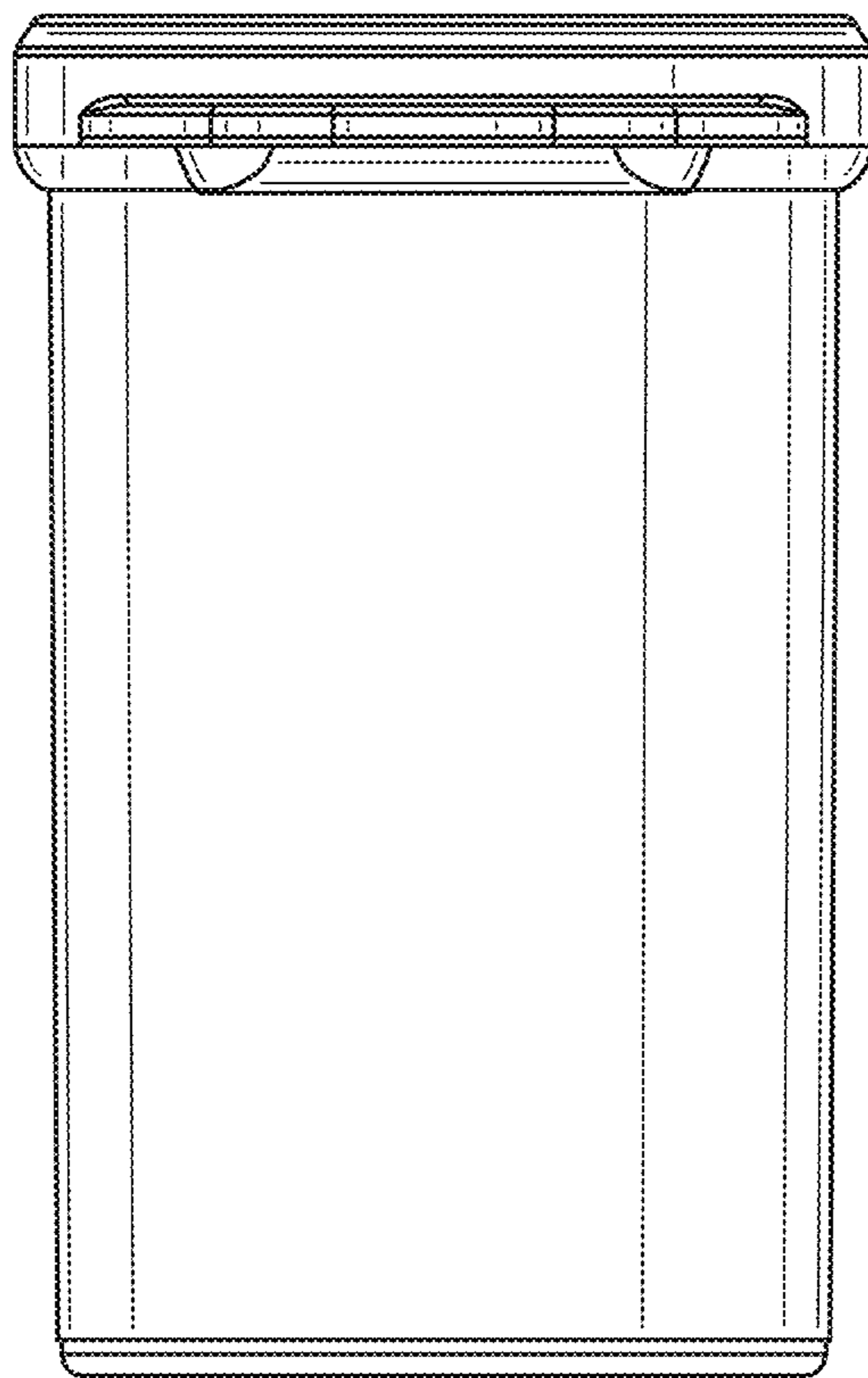


FIG. 3

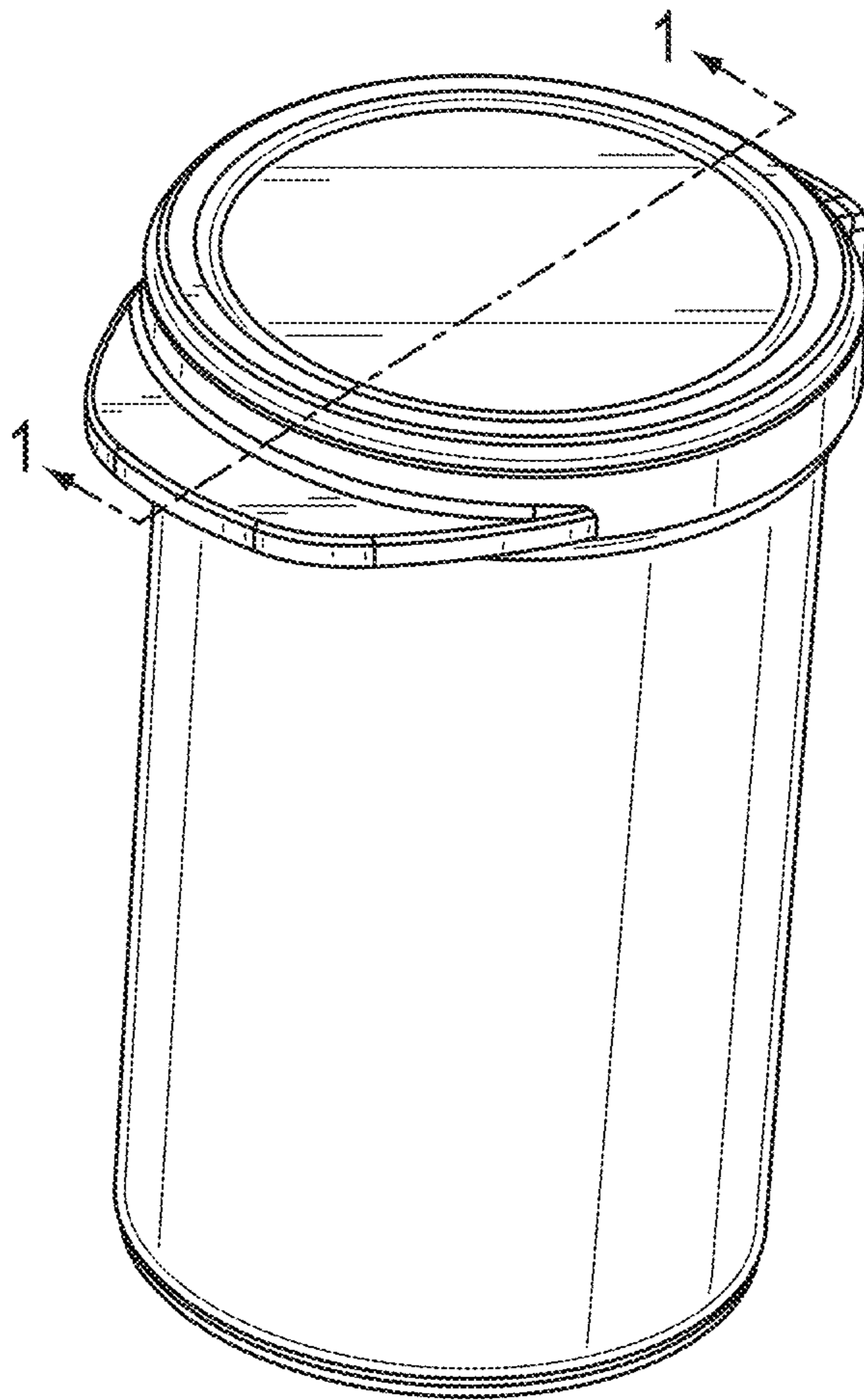


FIG. 4

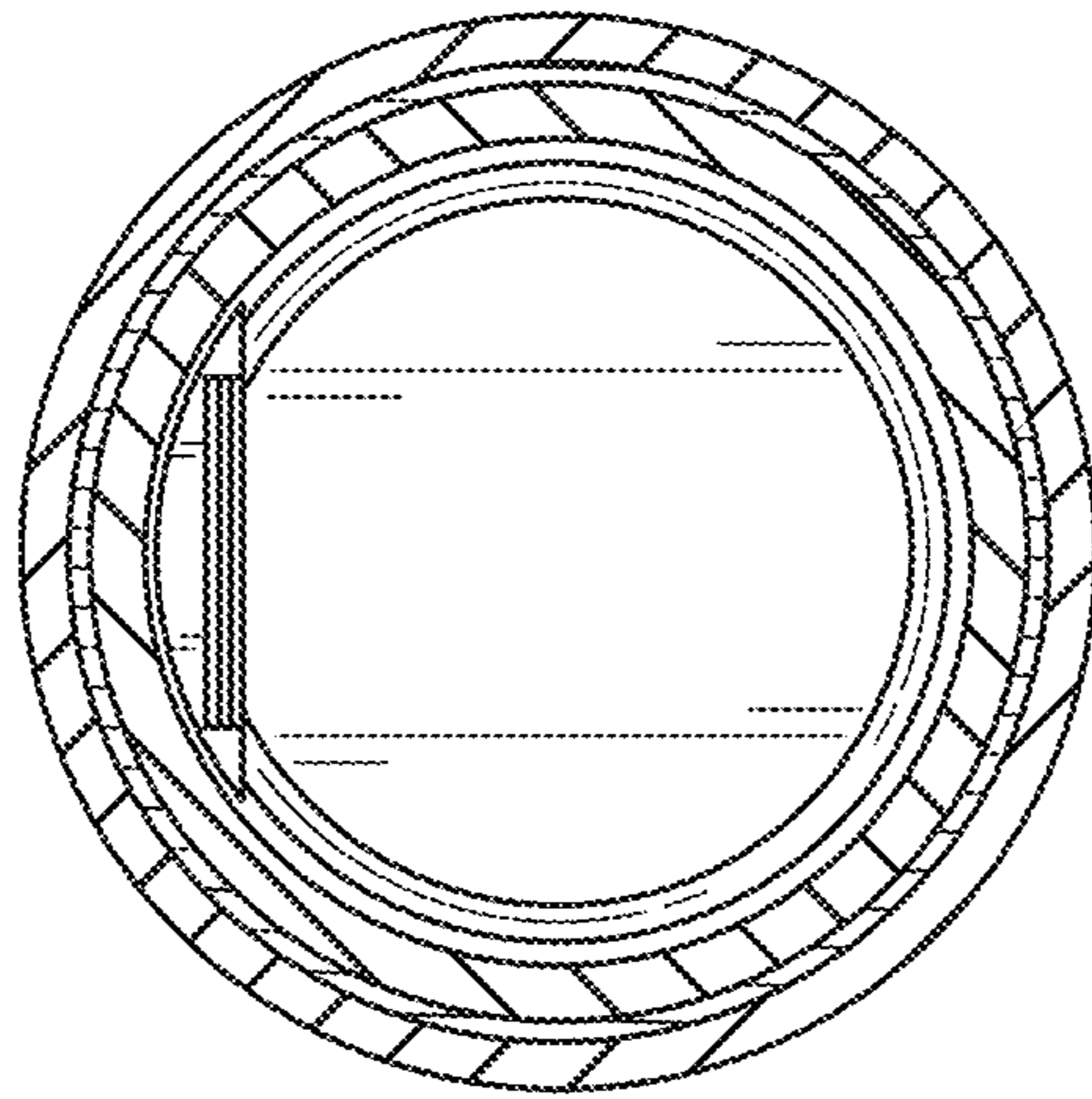


FIG. 5

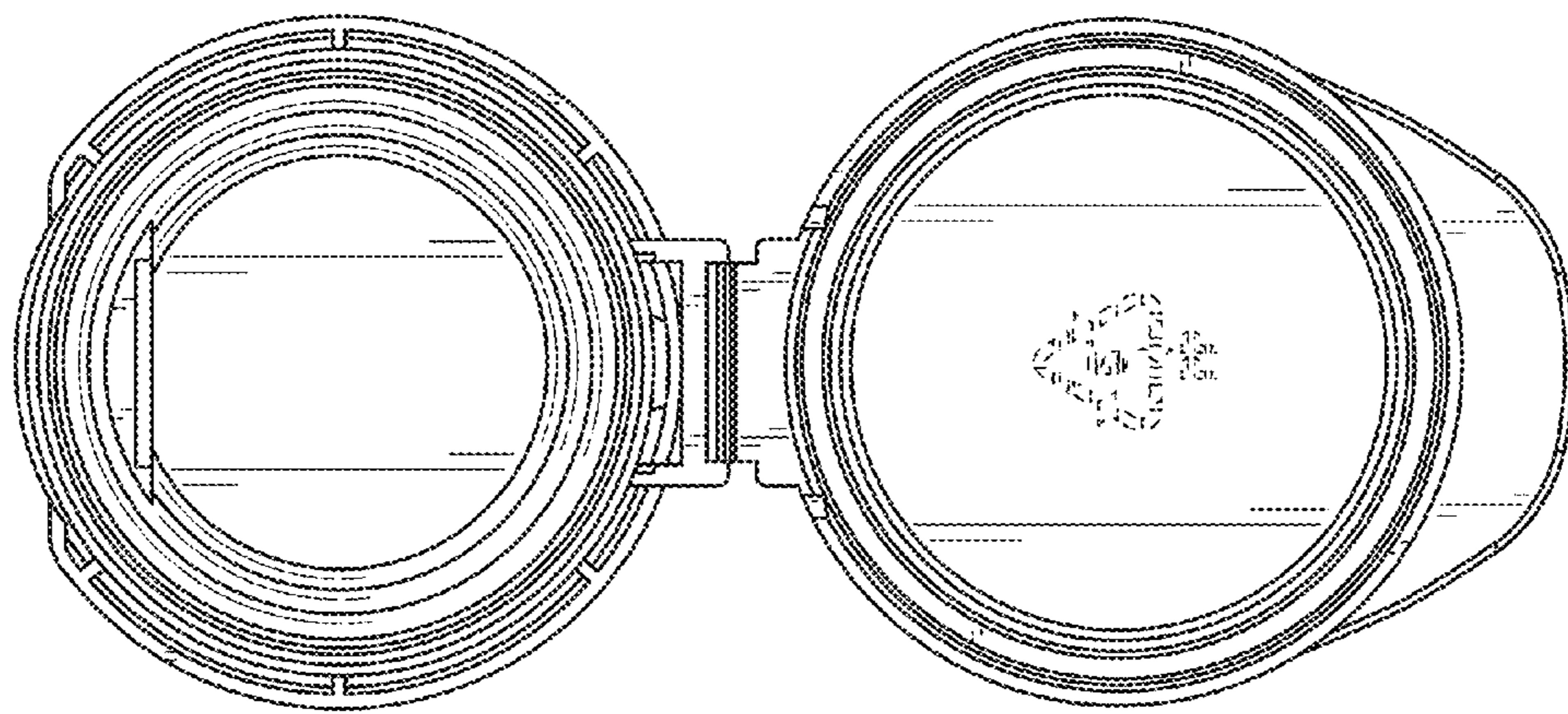


FIG. 6

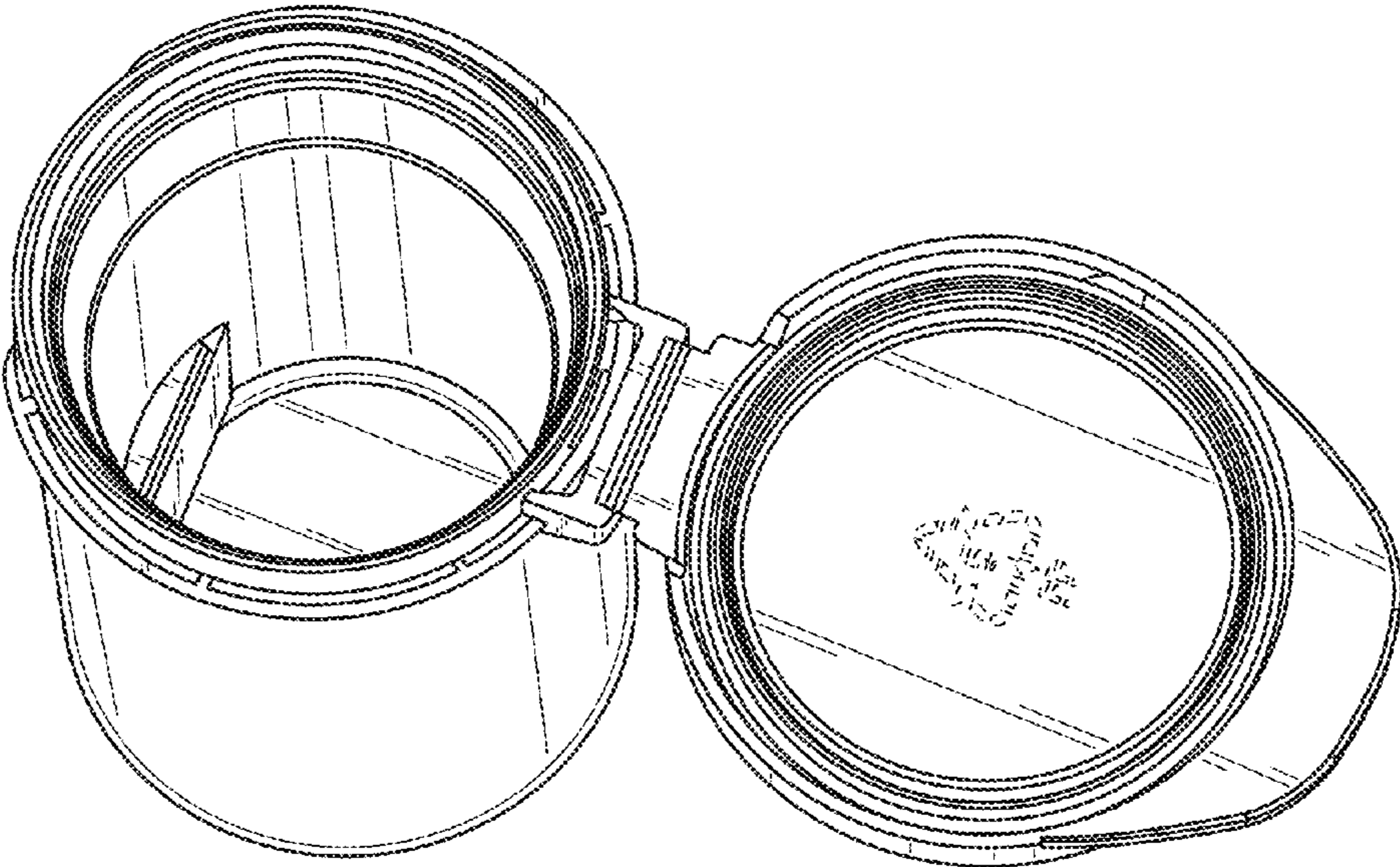


FIG. 7