



US00D715506S

(12) **United States Design Patent**
Binne

(10) **Patent No.:** **US D715,506 S**
(45) **Date of Patent:** **** Oct. 14, 2014**

- (54) **GRILL CLEANING TOOL**
- (71) Applicant: **Cyril B. Binne**, Cincinnati, OH (US)
- (72) Inventor: **Cyril B. Binne**, Cincinnati, OH (US)
- (**) Term: **14 Years**
- (21) Appl. No.: **29/486,231**
- (22) Filed: **Mar. 27, 2014**
- (51) **LOC (10) Cl.** **08-05**
- (52) **U.S. Cl.**
USPC **D32/46; D32/49**
- (58) **Field of Classification Search**
USPC D4/118, 138; D32/35, 40, 44, 45, 46,
D32/49, 51; 15/236.01, 236.02, 236.05,
15/236.09, 143.1, 111; 30/169, 171
See application file for complete search history.

| | | | | | |
|--------------|------|---------|-------------------|-------|-----------|
| D520,206 | S * | 5/2006 | Kohn | | D32/54 |
| 7,039,983 | B1 | 5/2006 | Outlaw | | |
| 7,069,616 | B2 * | 7/2006 | Watkins | | 15/236.06 |
| 7,073,935 | B2 * | 7/2006 | Liem | | 366/129 |
| D537,589 | S * | 2/2007 | Huddleston et al. | | D32/47 |
| D539,105 | S * | 3/2007 | Bennett | | D8/18 |
| D581,754 | S * | 12/2008 | Vodrey | | D8/13 |
| 7,632,033 | B2 | 12/2009 | Wales | | |
| 7,757,405 | B2 * | 7/2010 | Peterson et al. | | 30/220 |
| D638,184 | S * | 5/2011 | Lesche | | D32/46 |
| D663,591 | S * | 7/2012 | Madren | | D7/688 |
| 8,671,498 | B2 * | 3/2014 | Ferlito et al. | | 15/145 |
| 2005/0011029 | A1 | 1/2005 | Yu | | |
| 2005/0150070 | A1 | 7/2005 | Persichina et al. | | |
| 2006/0207042 | A1 | 9/2006 | Di Paolo | | |
| 2009/0255075 | A1 | 10/2009 | Carlson et al. | | |
| 2012/0079667 | A1 | 4/2012 | Ashner, II | | |

* cited by examiner

Primary Examiner — John Windmuller
(74) *Attorney, Agent, or Firm* — Wood, Herron & Evans, LLP

(56) **References Cited**

U.S. PATENT DOCUMENTS

| | | | | | |
|-----------|-----|---------|--------------------|-------|-----------|
| 2,747,911 | A * | 5/1956 | Kuever | | 99/450 |
| 2,824,323 | A * | 2/1958 | Tos et al. | | 15/105 |
| 2,860,858 | A * | 11/1958 | Kurs | | 366/129 |
| 3,820,185 | A | 6/1974 | Phillips | | |
| 4,091,579 | A | 5/1978 | Giangiulio | | |
| D264,543 | S * | 5/1982 | Ashley | | D32/49 |
| 4,667,362 | A * | 5/1987 | Mattingly | | 15/236.08 |
| D305,468 | S * | 1/1990 | Yonkers | | D32/46 |
| D318,989 | S * | 8/1991 | Risner | | D7/688 |
| D324,747 | S * | 3/1992 | Rood | | D32/46 |
| D341,453 | S * | 11/1993 | Roma et al. | | D32/46 |
| 5,373,600 | A * | 12/1994 | Stojanovski et al. | | 15/111 |
| D355,102 | S * | 2/1995 | Fridlind | | D8/13 |
| D377,251 | S * | 1/1997 | Mitchell | | D32/49 |
| 5,987,693 | A | 11/1999 | Noga | | |
| D434,889 | S * | 12/2000 | Krohn | | D32/47 |
| 6,202,754 | B1 | 3/2001 | Luttrell | | |
| 6,601,263 | B1 | 8/2003 | Lam | | |

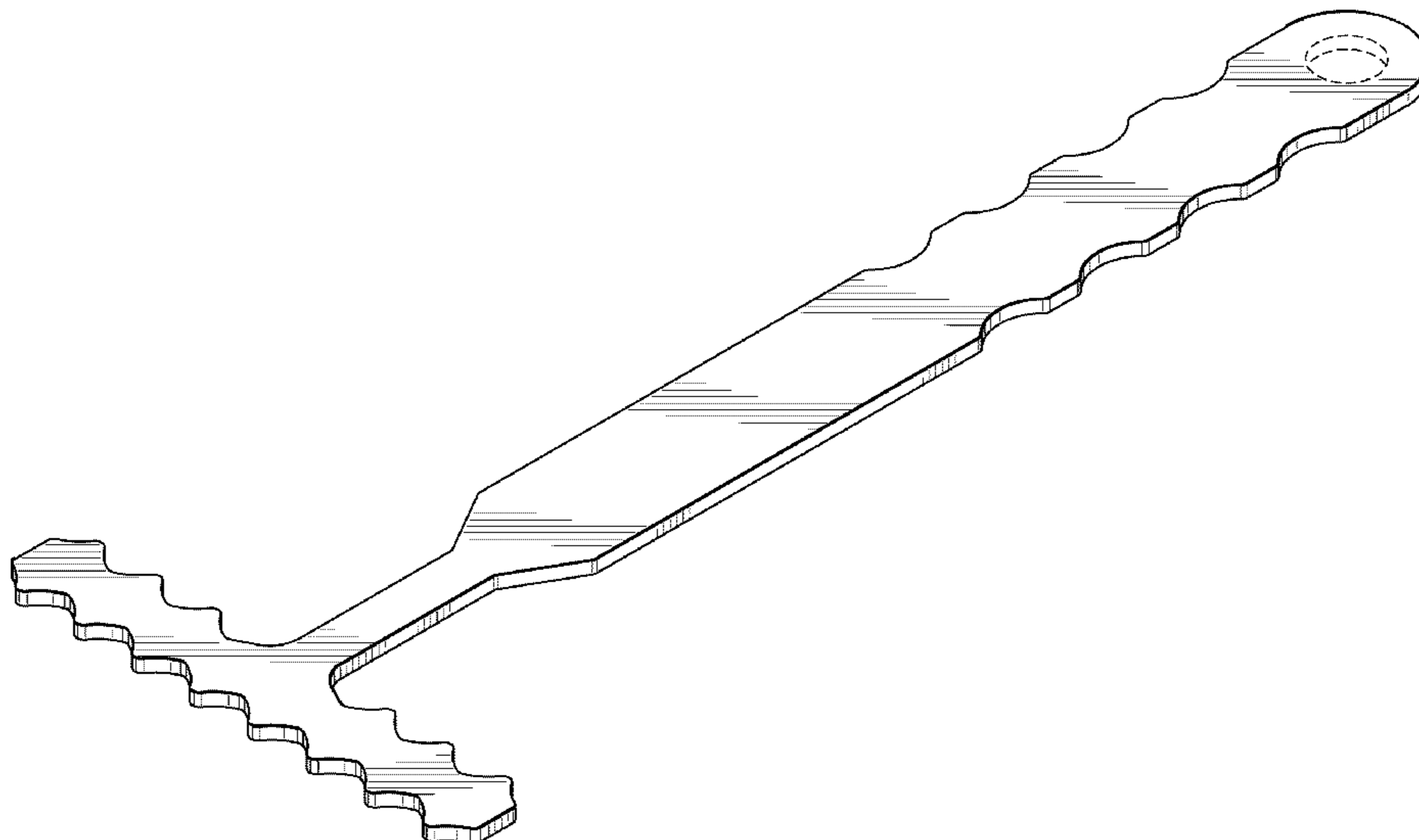
(57) **CLAIM**

The ornamental design for a grill cleaning tool, as shown and described.

DESCRIPTION

FIG. 1 is a front perspective view of the grill cleaning tool of the present invention.
FIG. 2 is a top view of the grill cleaning tool of FIG. 1, with the bottom view being identical thereto.
FIG. 3 is a right side view of the grill cleaning tool of FIG. 1, with the left side view being a mirror image thereof.
FIG. 4 is a front view of the grill cleaning tool of FIG. 1; and, FIG. 5 is a rear view of the grill cleaning tool of FIG. 1.
The broken lines in the figures depict a boundary between claimed and unclaimed areas that forms no part of the claimed design.

1 Claim, 2 Drawing Sheets



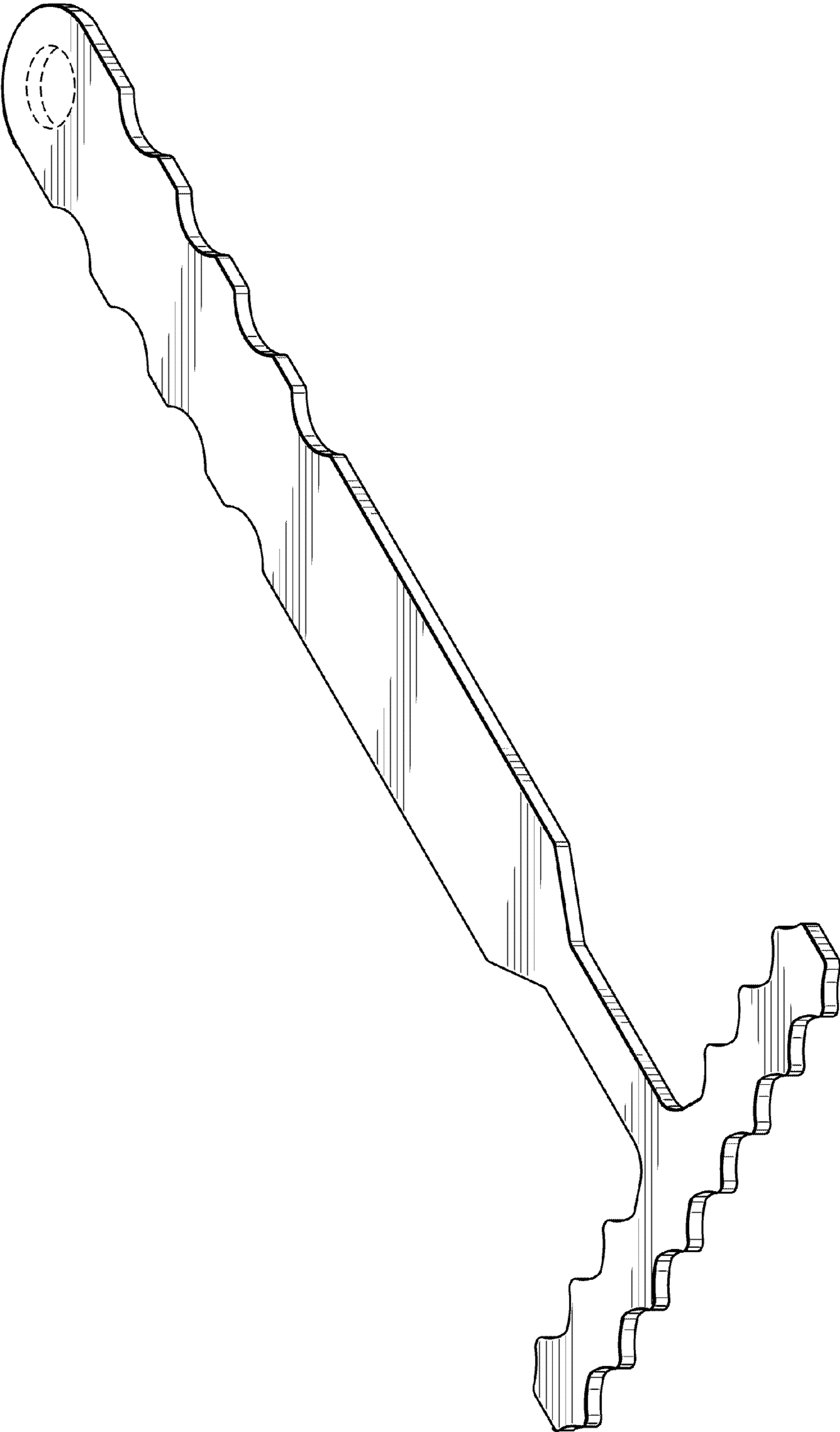


FIG. 1

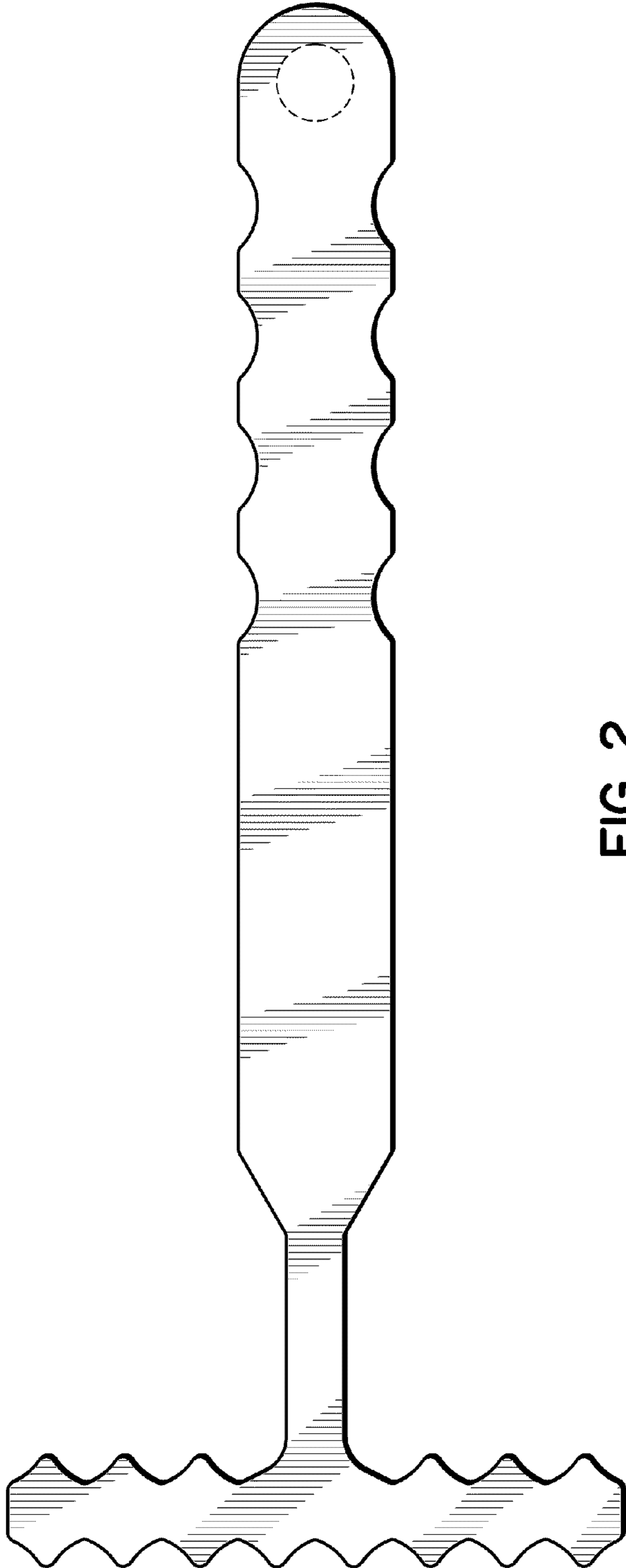


FIG. 2



FIG. 3



FIG. 4



FIG. 5