



US00D715504S

(12) **United States Design Patent**  
**Deoksang et al.**

(10) **Patent No.:** **US D715,504 S**

(45) **Date of Patent:** **\*\* Oct. 14, 2014**

(54) **VACUUM CLEANER**

(71) Applicant: **Samsung Electronics Co., Ltd.**,  
Suwon-si (KR)

(72) Inventors: **Yun Deoksang**, Ansan-si (KR); **Kwack Jung Kyung**, Seoul (KR); **Lim Changae**, Seoul (KR); **Jeon Seill**, Gimposi (KR)

(73) Assignee: **Samsung Electronics Co., Ltd.**,  
Suwon-si (KR)

(\*\*) Term: **14 Years**

(21) Appl. No.: **29/445,201**

(22) Filed: **Feb. 8, 2013**

(30) **Foreign Application Priority Data**

Aug. 24, 2012 (KR) ..... 30-2012-0040660

(51) **LOC (10) Cl.** ..... **15-05**

(52) **U.S. Cl.**  
USPC ..... **D32/21**

(58) **Field of Classification Search**  
USPC ..... D32/17-21, 23, 31-33; 15/319-322,  
15/307, 327.1, 327.5-327.7, 353,  
15/415.1-422, 422.1, 383, 384, 400,  
15/340.2, 52.2, 50.2  
See application file for complete search history.

(56) **References Cited**

**U.S. PATENT DOCUMENTS**

D524,495 S \* 7/2006 Ljunggren ..... D32/21  
D548,902 S \* 8/2007 Chun et al. .... D32/21

D548,903 S \* 8/2007 Chun et al. .... D32/21  
D556,961 S \* 12/2007 Swyst et al. .... D32/21  
D596,815 S \* 7/2009 Baek ..... D32/21  
D658,341 S \* 4/2012 Nam et al. .... D32/21  
D661,032 S \* 5/2012 Lee et al. .... D32/21  
D661,439 S \* 6/2012 Lee et al. .... D32/21  
D661,440 S \* 6/2012 Lee et al. .... D32/21  
D665,547 S \* 8/2012 Nam et al. .... D32/21  
D669,235 S \* 10/2012 Bassett et al. .... D32/21  
D670,877 S \* 11/2012 Geringer et al. .... D32/21  
2010/0037418 A1 \* 2/2010 Hussey et al. .... 15/319  
2011/0191976 A1 \* 8/2011 Yan ..... 15/319  
2012/0023699 A1 \* 2/2012 Shim et al. .... 15/319  
2012/0084936 A1 \* 4/2012 Li ..... 15/319  
2012/0317745 A1 \* 12/2012 Jung et al. .... 15/319  
2013/0025085 A1 \* 1/2013 Kim et al. .... 15/319

\* cited by examiner

*Primary Examiner* — Ruth McInroy

(74) *Attorney, Agent, or Firm* — Ladas & Parry LLP

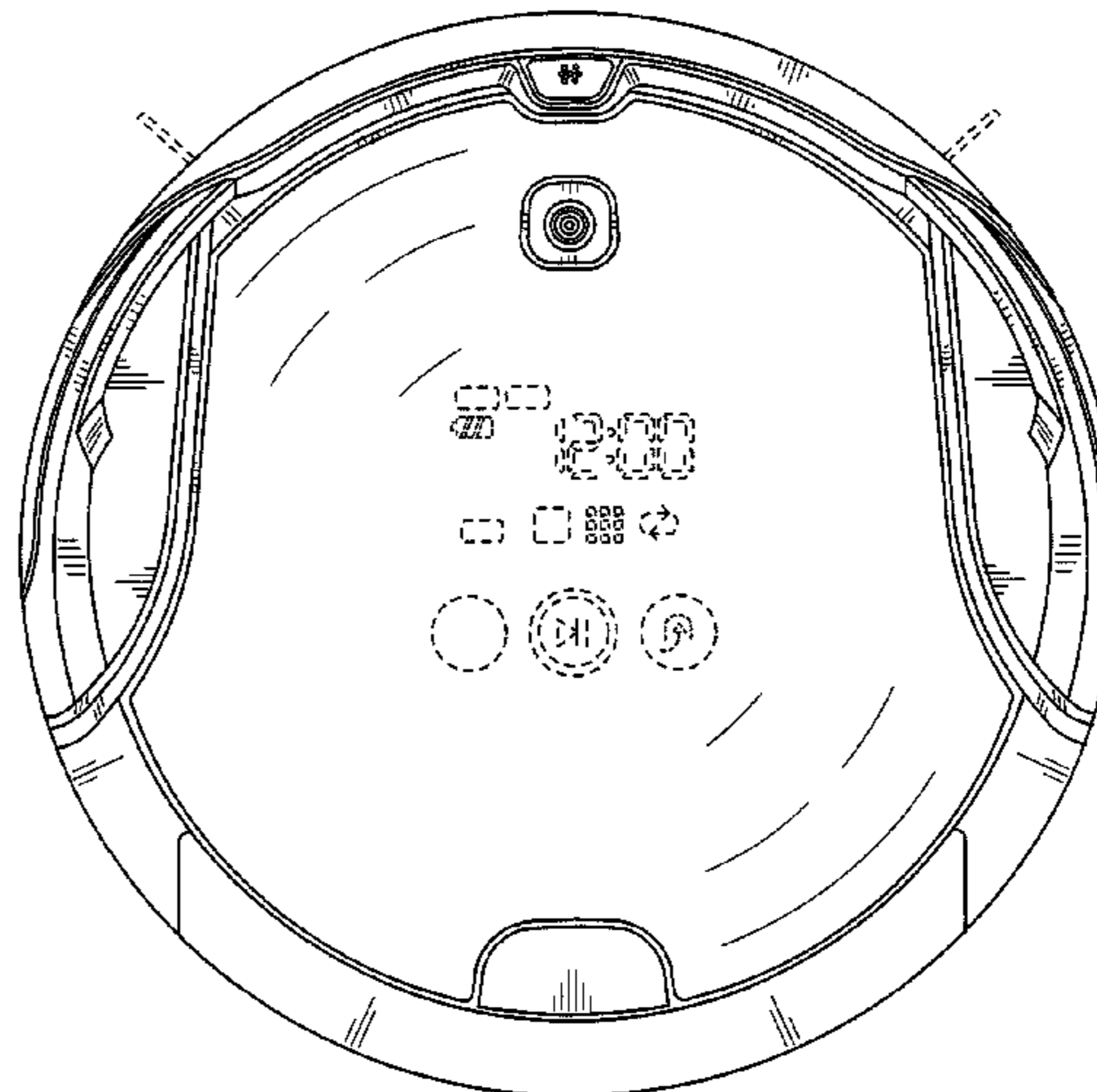
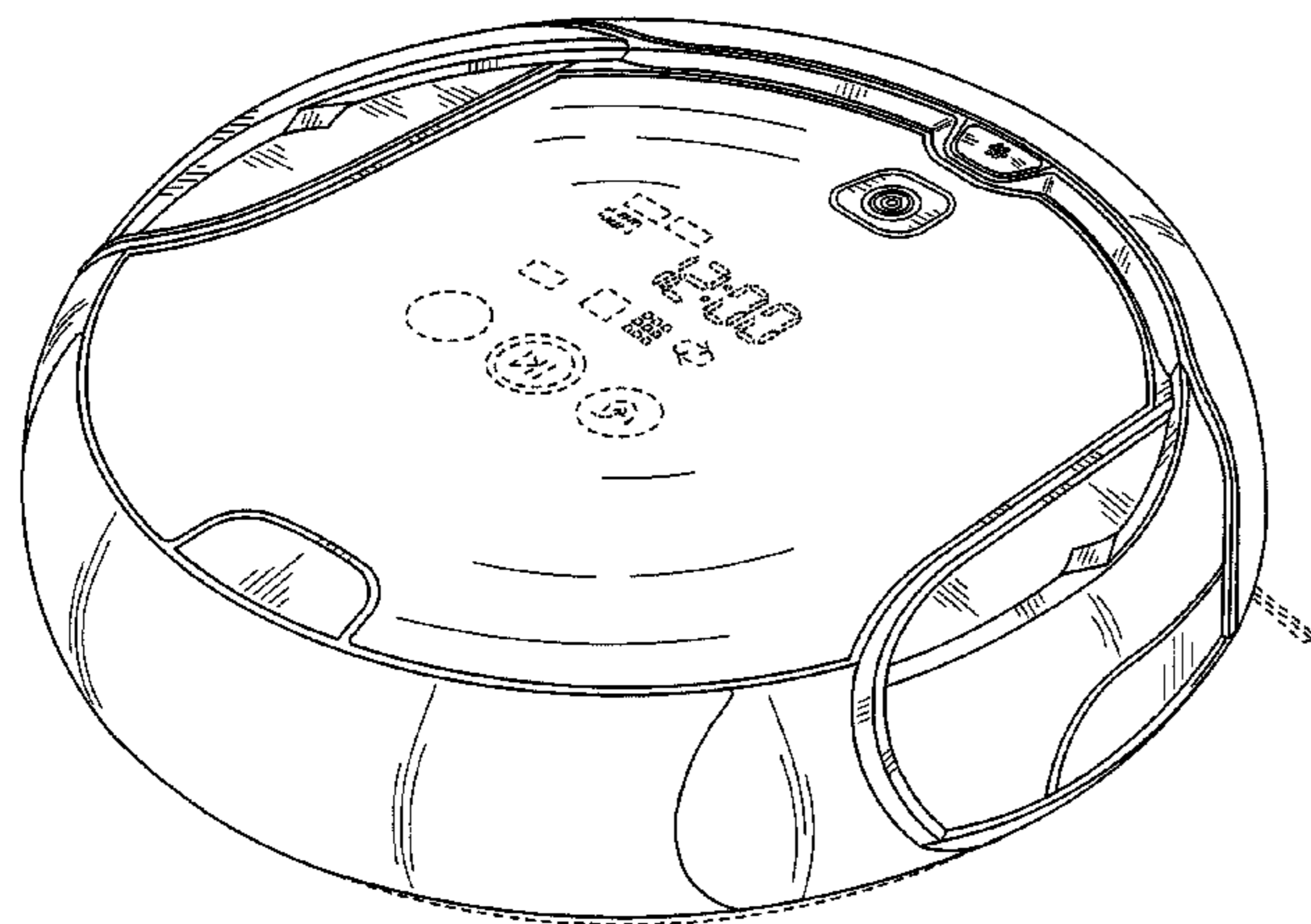
(57) **CLAIM**

We claim the ornamental design for a vacuum cleaner, as shown and described.

**DESCRIPTION**

FIG. 1 is a top, front and right-side perspective view of a vacuum cleaner showing our new design;  
FIG. 2 is a front elevational view thereof;  
FIG. 3 is a rear elevational view thereof;  
FIG. 4 is a left-side elevational view thereof;  
FIG. 5 is a right-side elevational view thereof;  
FIG. 6 is a top plan view thereof; and,  
FIG. 7 is a bottom plan view thereof.  
Features shown in broken lines are disclaimed and form no part of the claimed design.

**1 Claim, 5 Drawing Sheets**



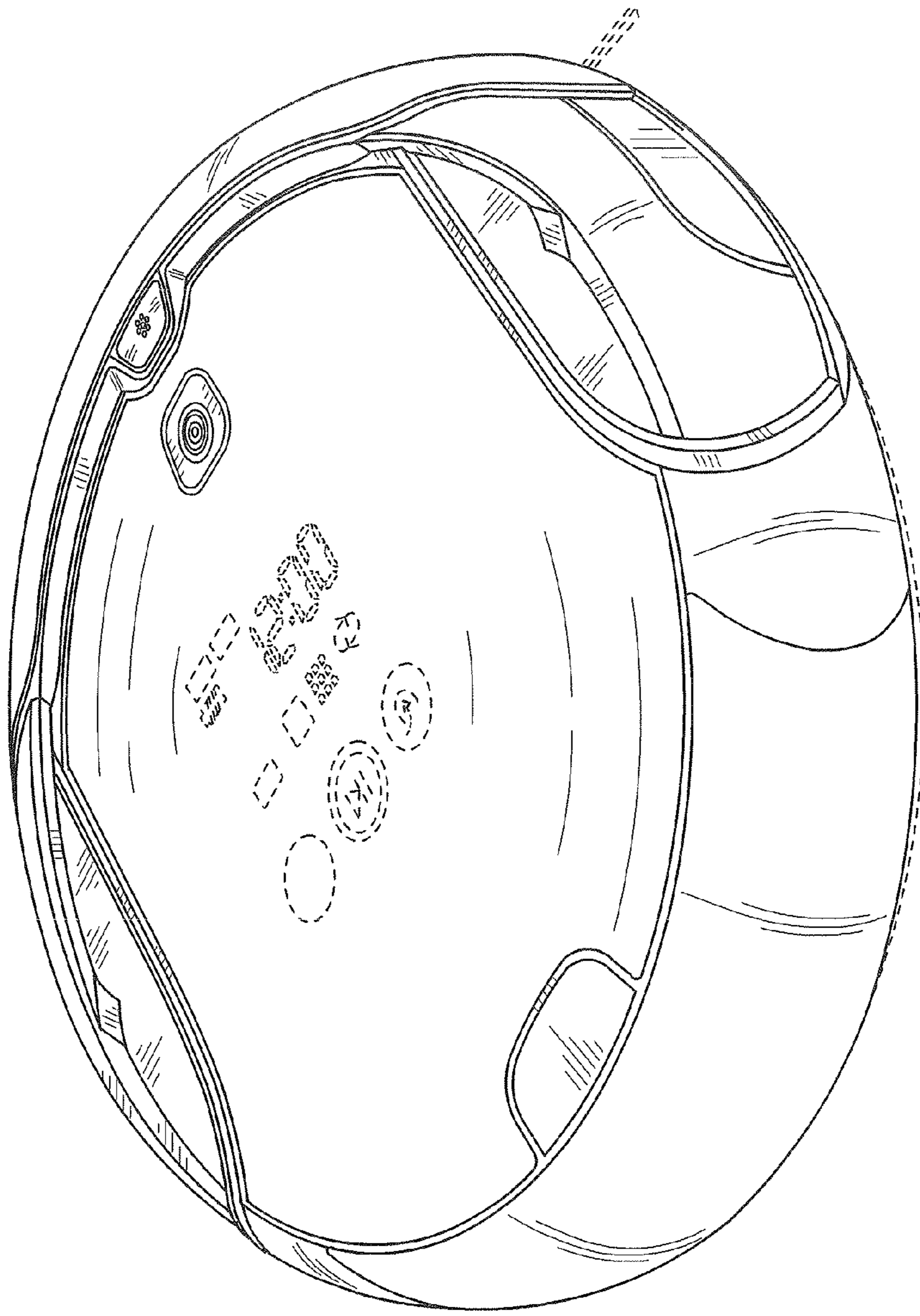


FIG. 1

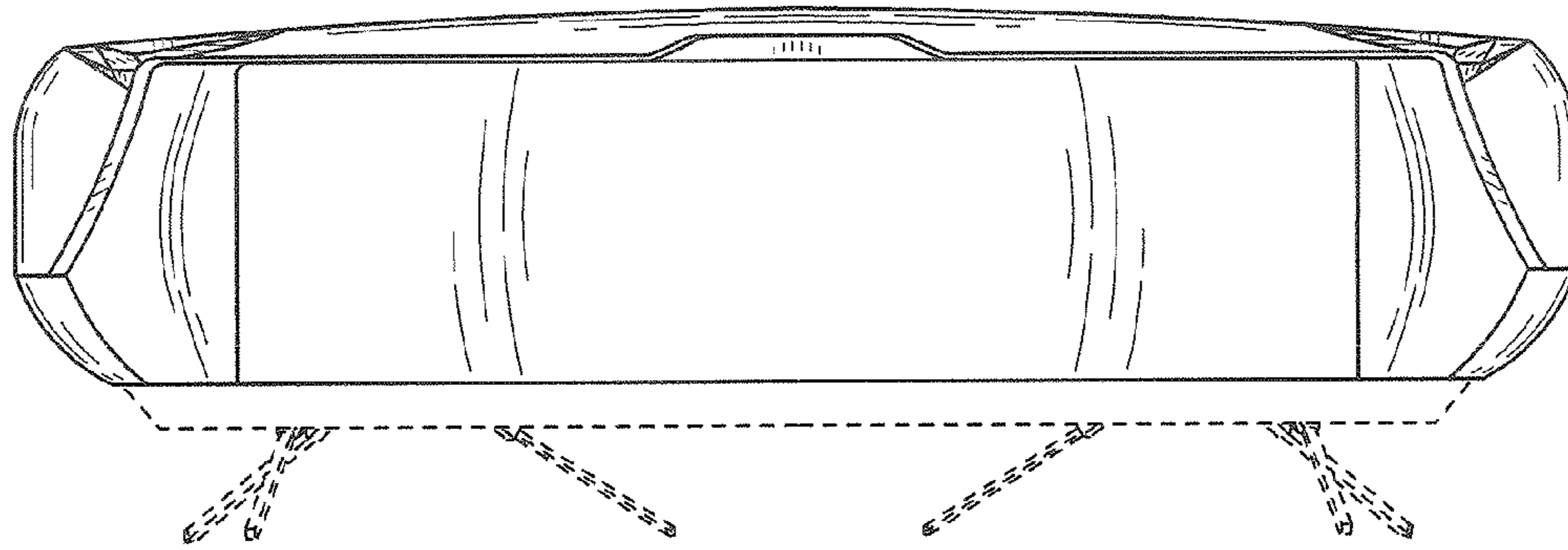


FIG. 2

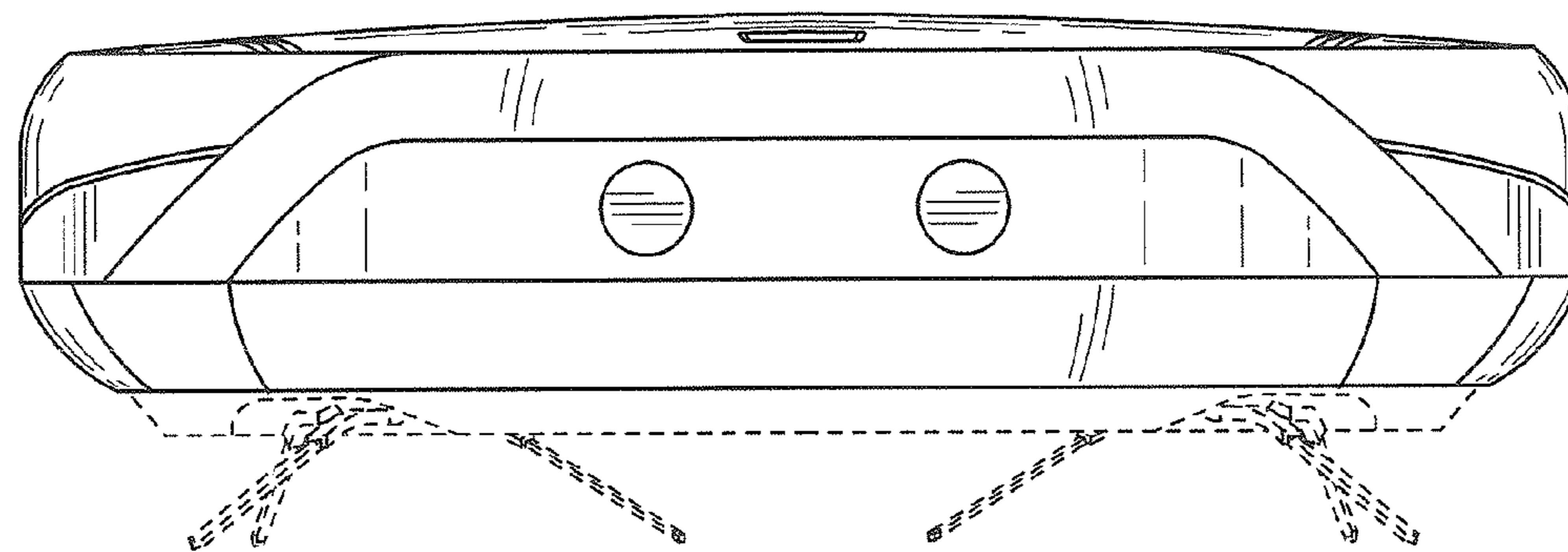


FIG. 3



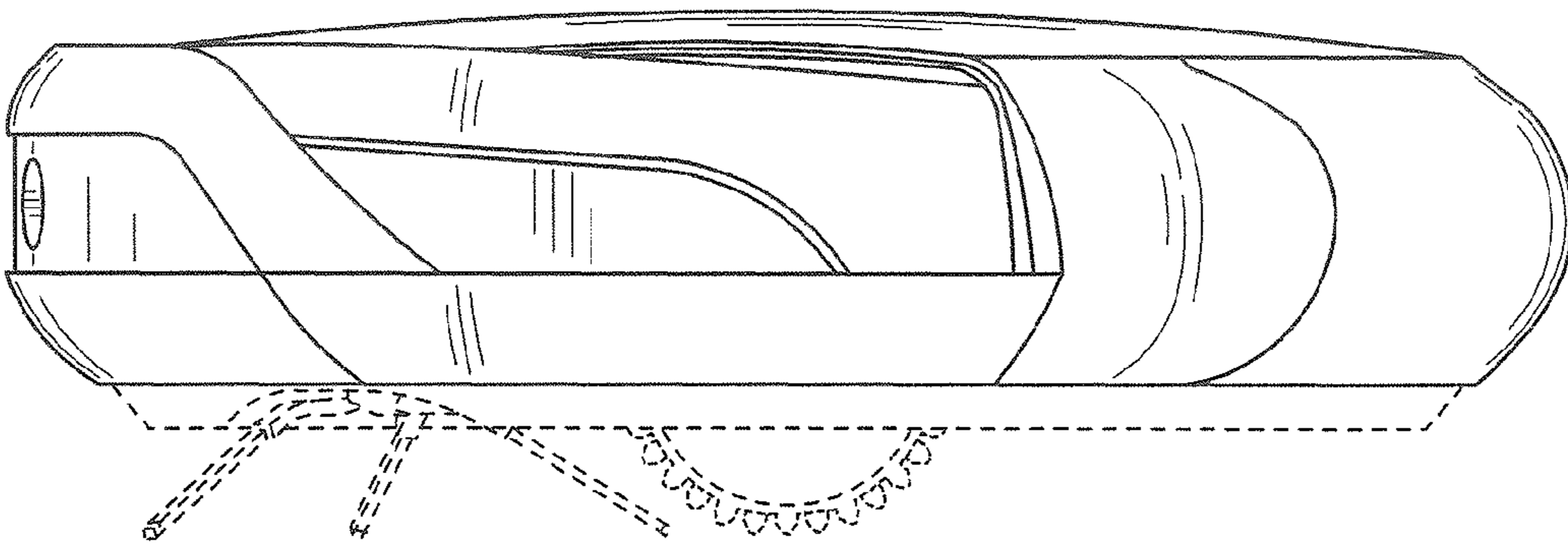


FIG. 4

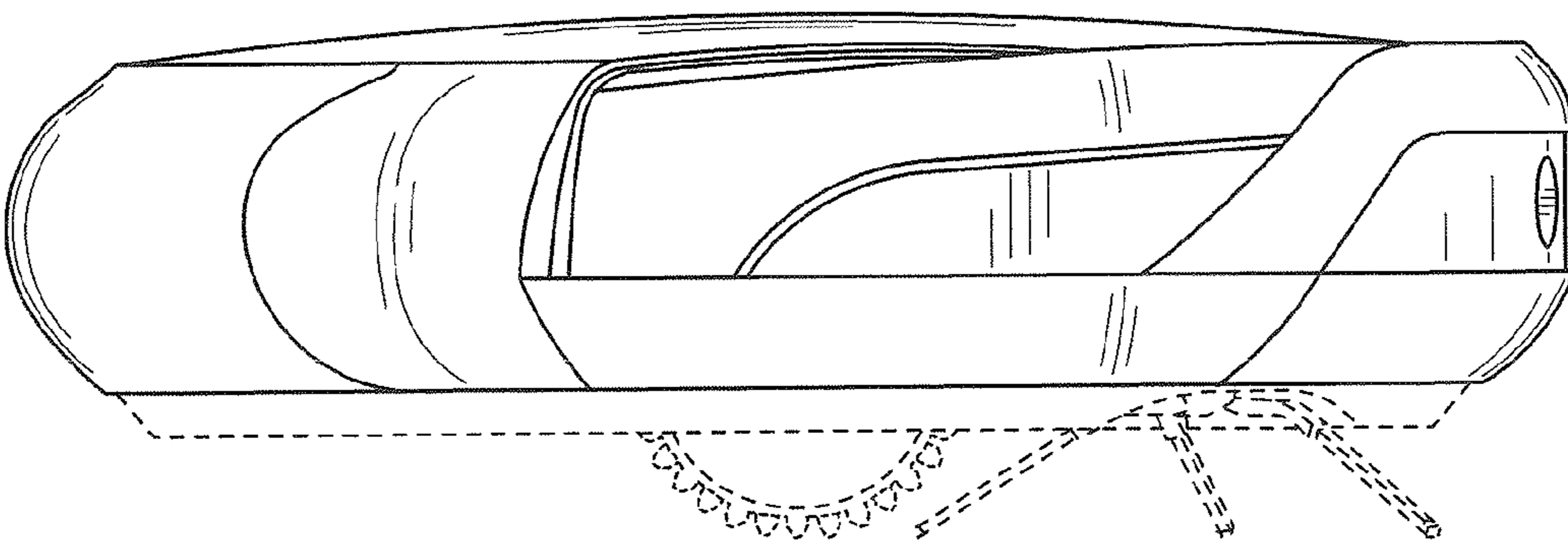


FIG. 5

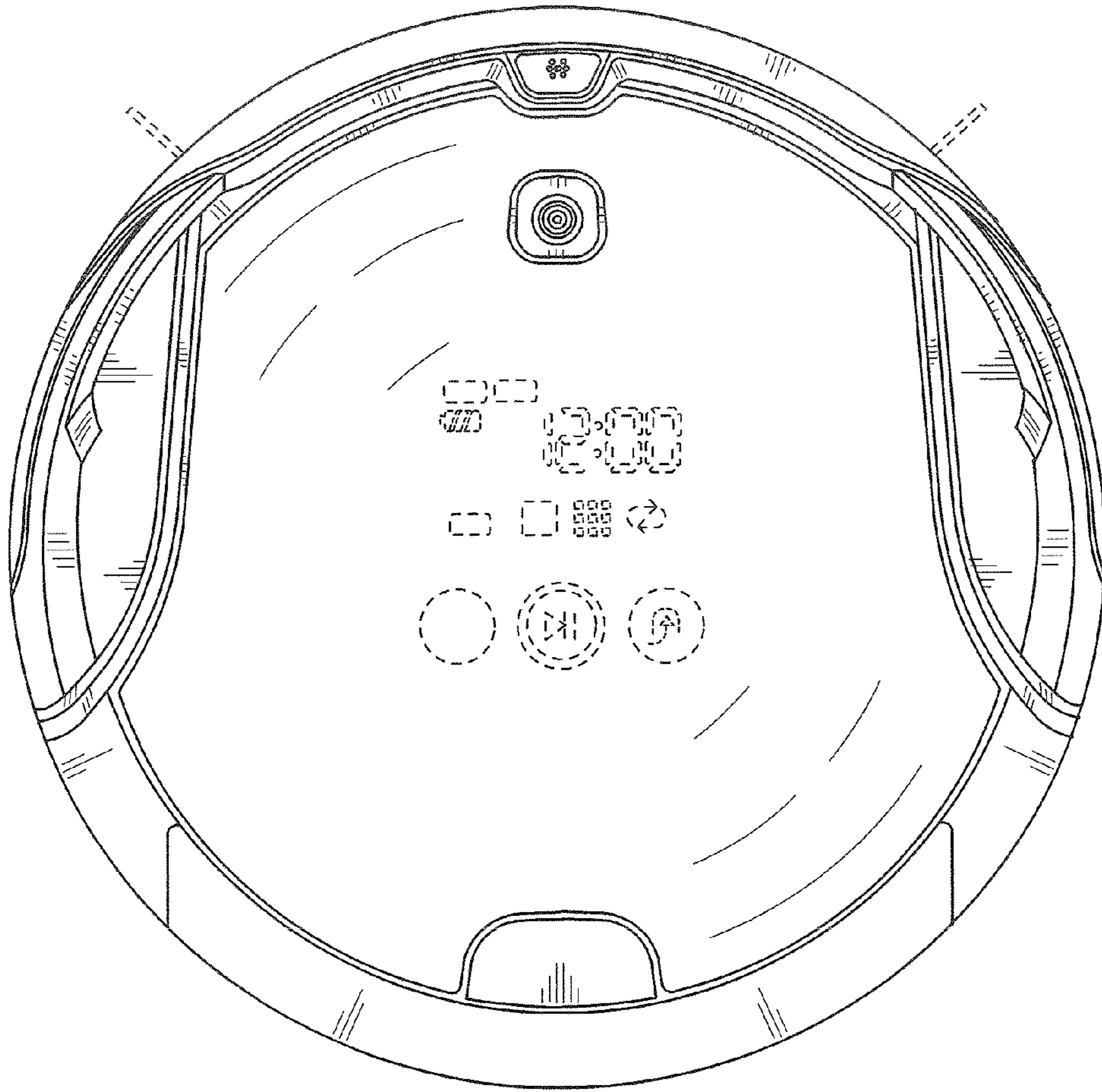


FIG. 6

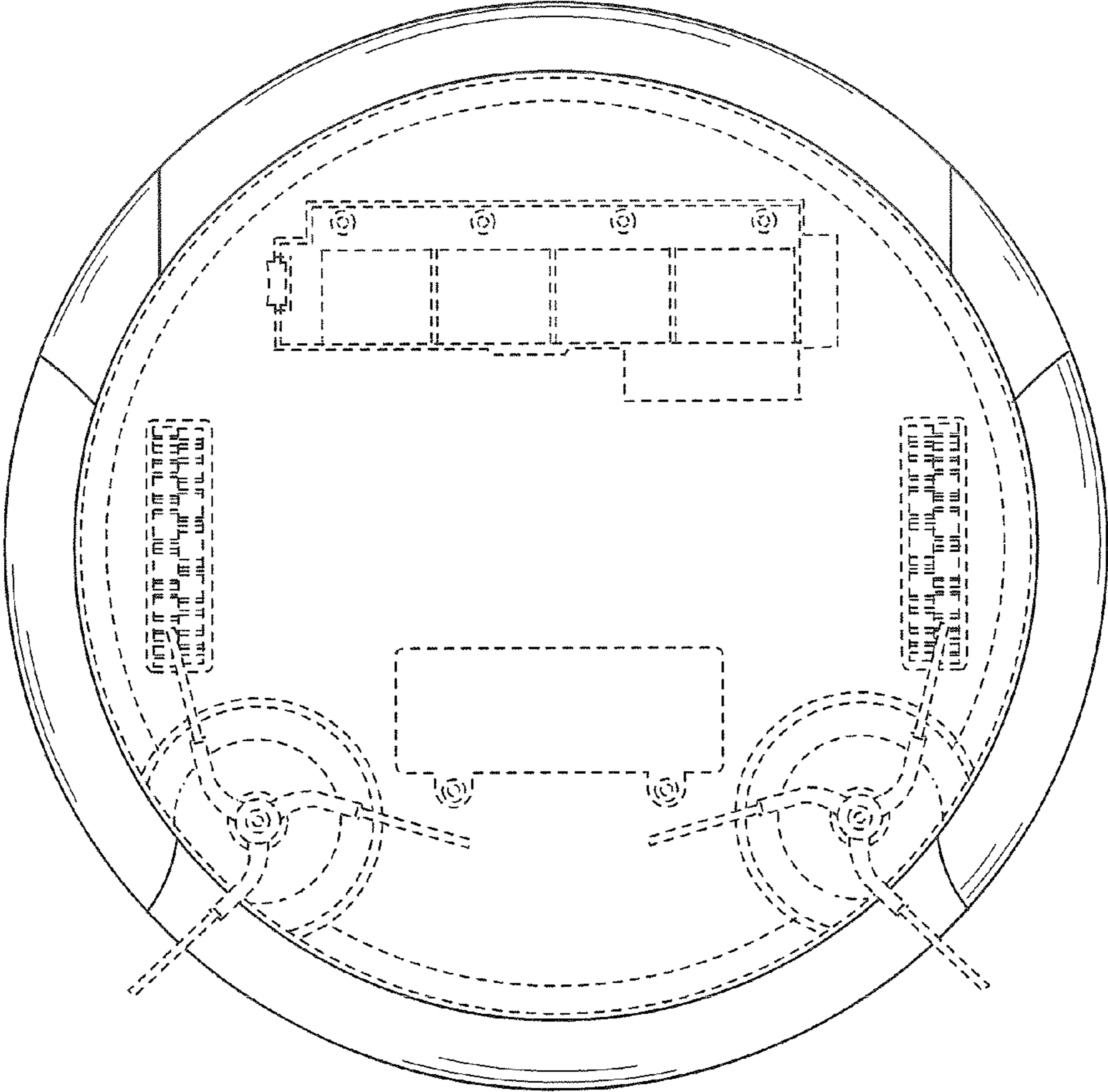


FIG. 7