



US00D715500S

(12) **United States Design Patent**
Renforth et al.

(10) **Patent No.:** **US D715,500 S**

(45) **Date of Patent:** **** Oct. 14, 2014**

(54) **PET CARRIER**

(71) Applicant: **Doskocil Manufacturing Company, Inc.**, Arlington, TX (US)

(72) Inventors: **Jack William Renforth**, Arlington, TX (US); **Ann Hanson**, Ionia, MI (US); **Douglas Golenz**, Littleton, CO (US)

(73) Assignee: **Doskocil Manufacturing Company, Inc.**, Arlington, TX (US)

(**) Term: **14 Years**

(21) Appl. No.: **29/469,144**

(22) Filed: **Oct. 8, 2013**

(51) **LOC (10) Cl.** **30-02**

(52) **U.S. Cl.**
USPC **D30/109**

(58) **Field of Classification Search**
USPC D30/108-109; D12/129; 119/452-453, 119/474, 482, 489, 491, 496-498, 500, 513, 119/650, 673, 678, 712, 751
See application file for complete search history.

(56) **References Cited**

U.S. PATENT DOCUMENTS

4,830,154	A *	5/1989	Gerch et al.	190/103
D360,492	S *	7/1995	Horn	D30/109
D398,083	S *	9/1998	Martz	D30/109
6,155,206	A *	12/2000	Godshaw	119/453
D524,995	S *	7/2006	Dudas	D30/109
7,665,421	B2 *	2/2010	Martz	119/497
D621,101	S *	8/2010	Hu	D30/109
7,789,044	B2 *	9/2010	McGrade	119/496
D649,719	S *	11/2011	Siklosi et al.	D30/109
D662,264	S *	6/2012	Chau et al.	D30/109

D677,011	S *	2/2013	Cirincione et al.	D30/109
D685,952	S *	7/2013	Dixon	D30/109
2002/0139314	A1 *	10/2002	Burns et al.	119/497

* cited by examiner

Primary Examiner — Cathy A MacCormac

(74) *Attorney, Agent, or Firm* — Eckert Seamans Cherin & Mellott, LLC; Brij K. Agarwal

(57) **CLAIM**

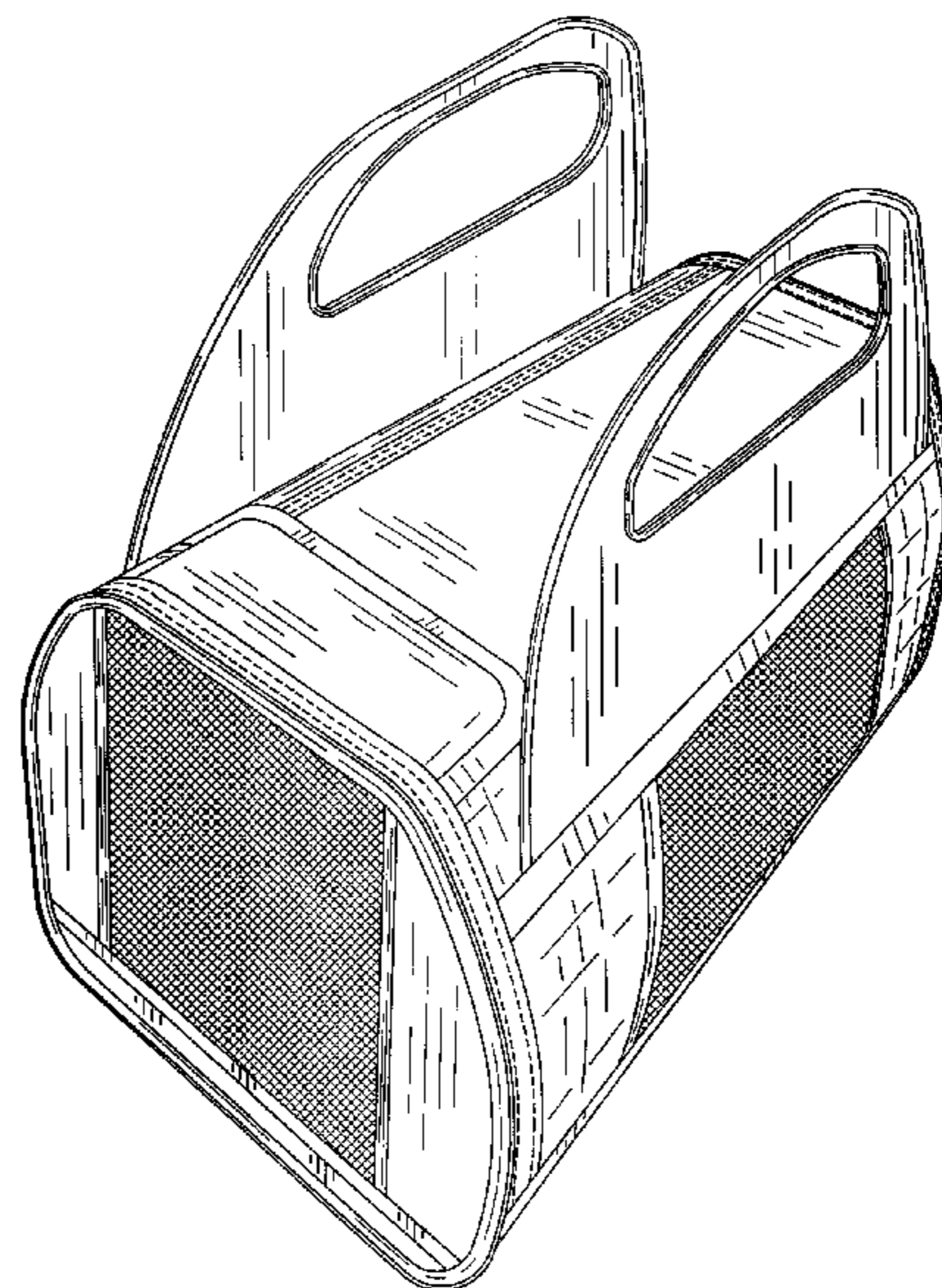
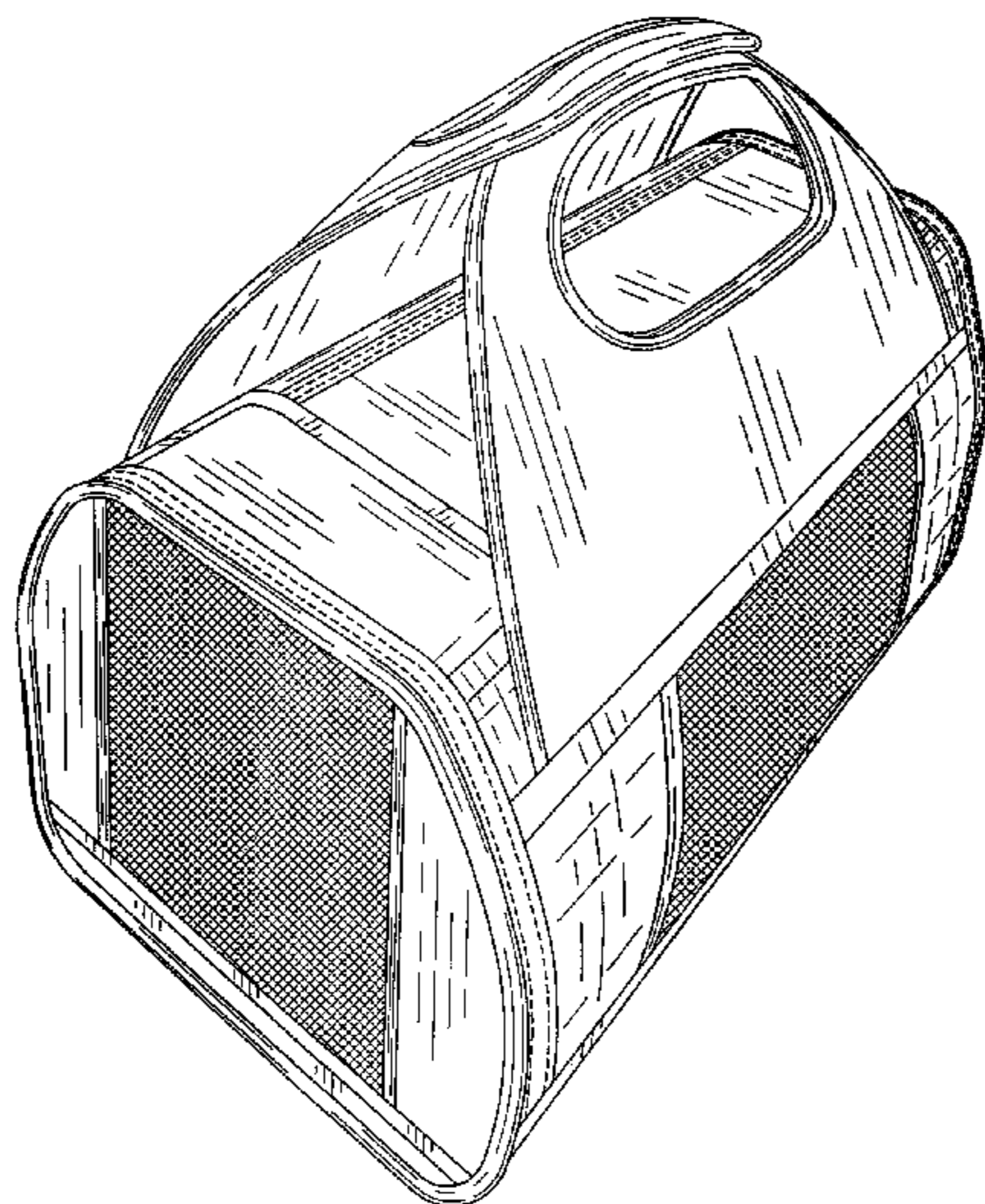
The ornamental design for a pet carrier, as shown and described.

DESCRIPTION

FIG. 1 is a perspective view of the pet carrier; FIG. 2 is a front elevational view thereof; FIG. 3 is a left side elevational view thereof; FIG. 4 is a right side elevational view thereof; FIG. 5 is a rear elevational view thereof; FIG. 6 is a top plan view thereof; and FIG. 7 is a bottom plan view thereof; FIG. 8 is a perspective view of the pet carrier in an alternate position; FIG. 9 is front elevational view of the pet carrier in the alternate position; FIG. 10 is left side elevational view of pet carrier in the alternate position; FIG. 11 is right side elevational view of the pet carrier in the alternate position; FIG. 12 is rear elevational view of the pet carrier in the alternate position; FIG. 13 is top plan view of the pet carrier in the alternate position; and, FIG. 14 is bottom plan view of the pet carrier in the alternate position.

The broken lines represent non-claimed subject matter, are for illustration only and form no part of the claimed design.

1 Claim, 14 Drawing Sheets



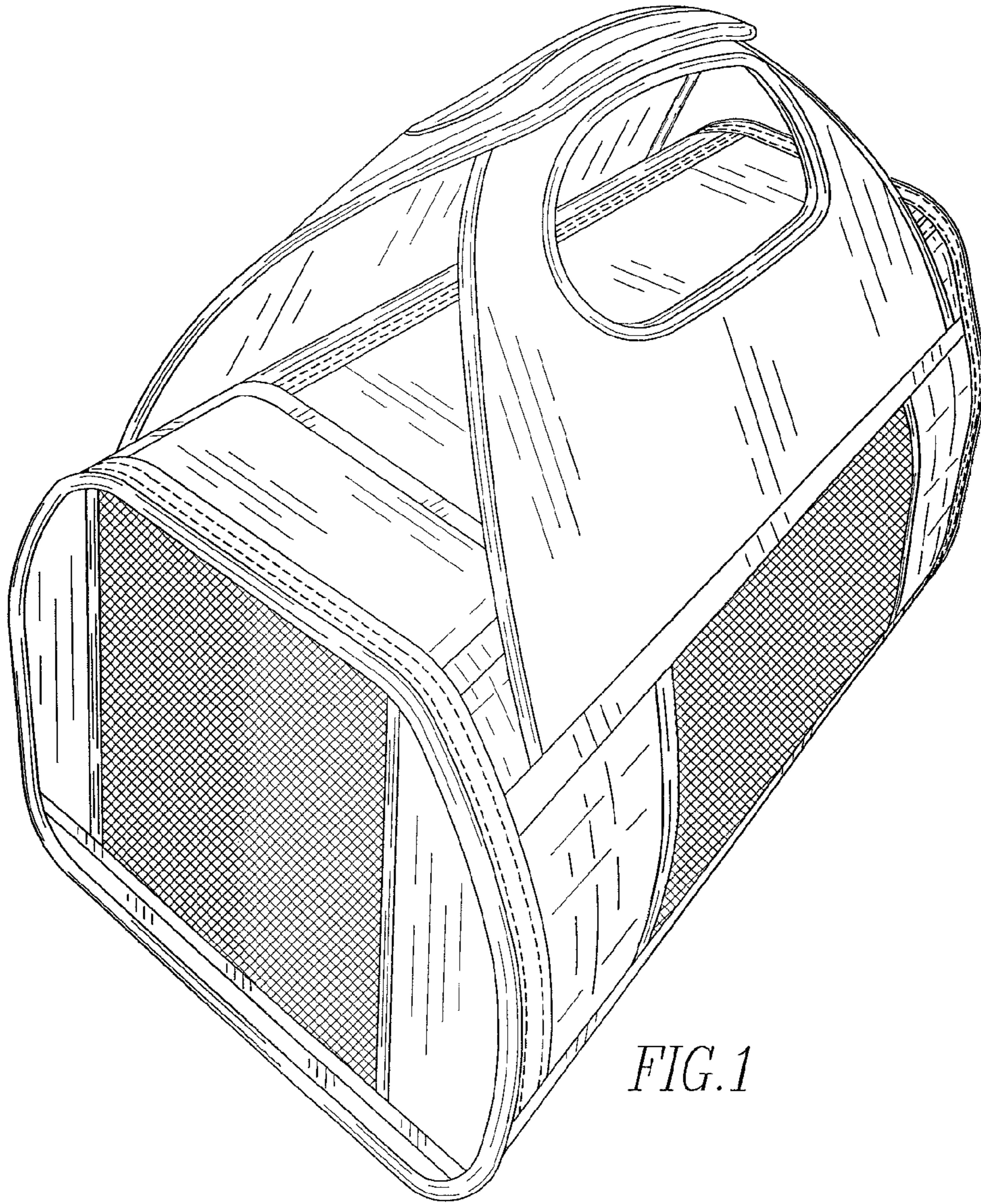


FIG. 1

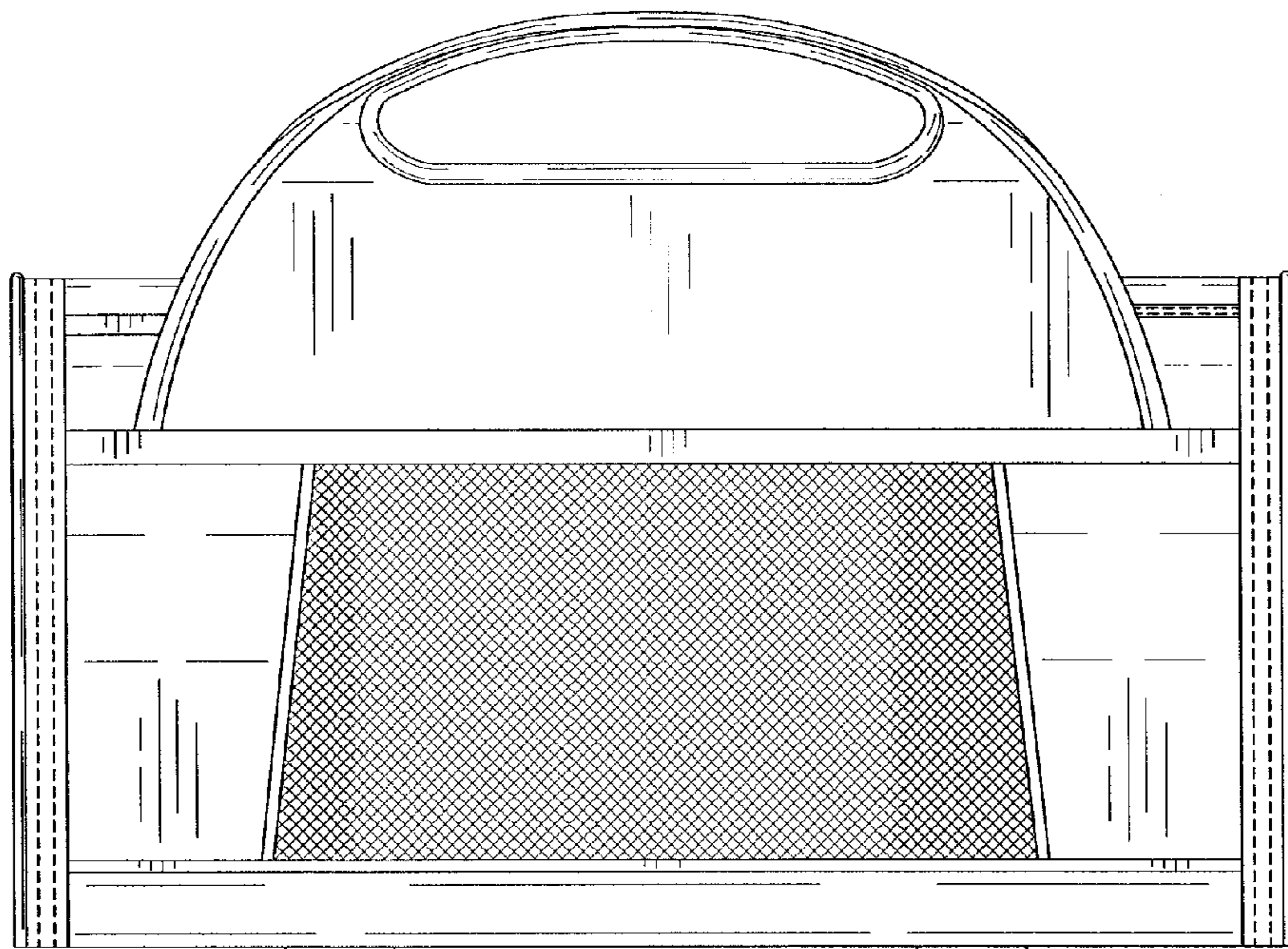


FIG. 2

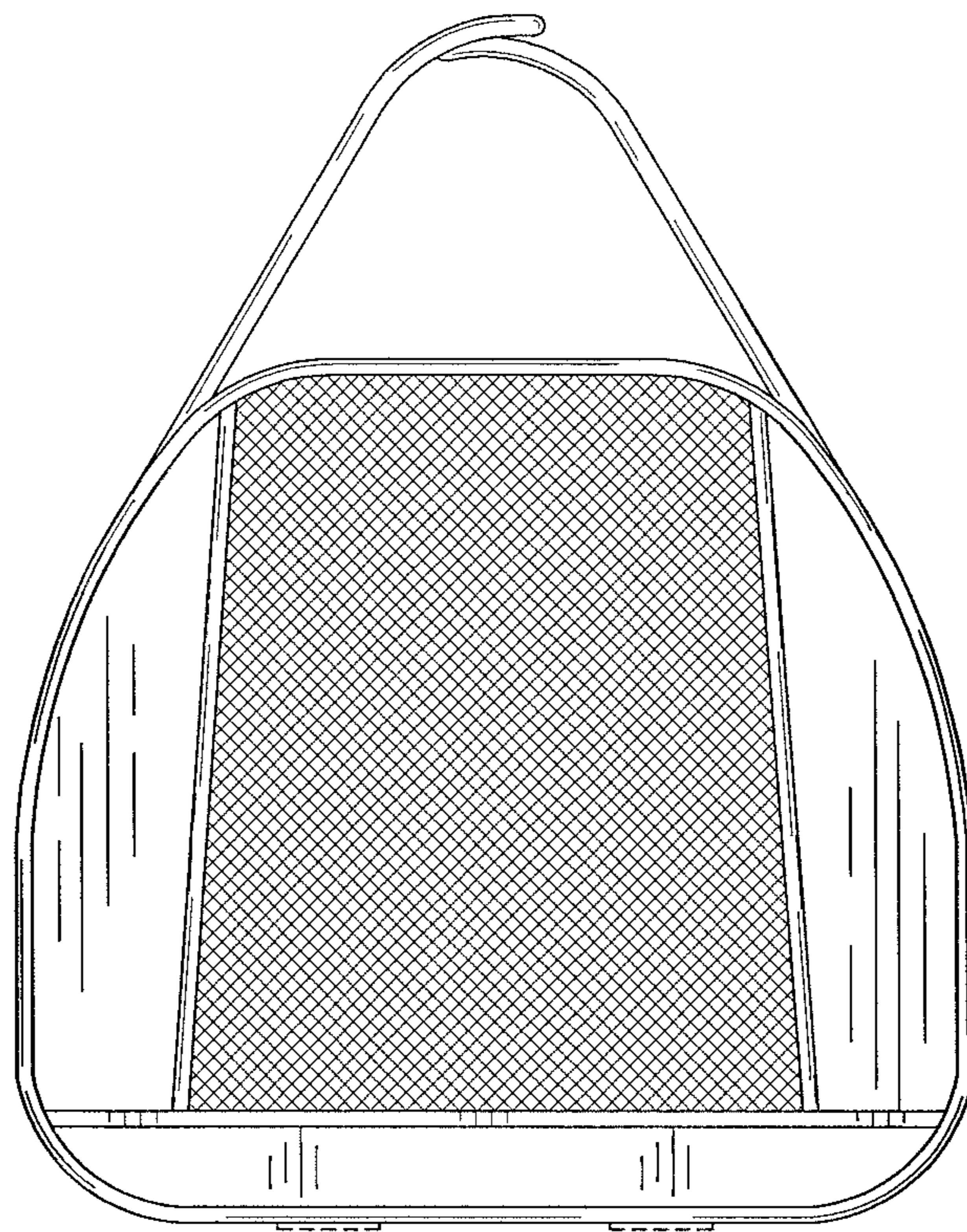


FIG. 3

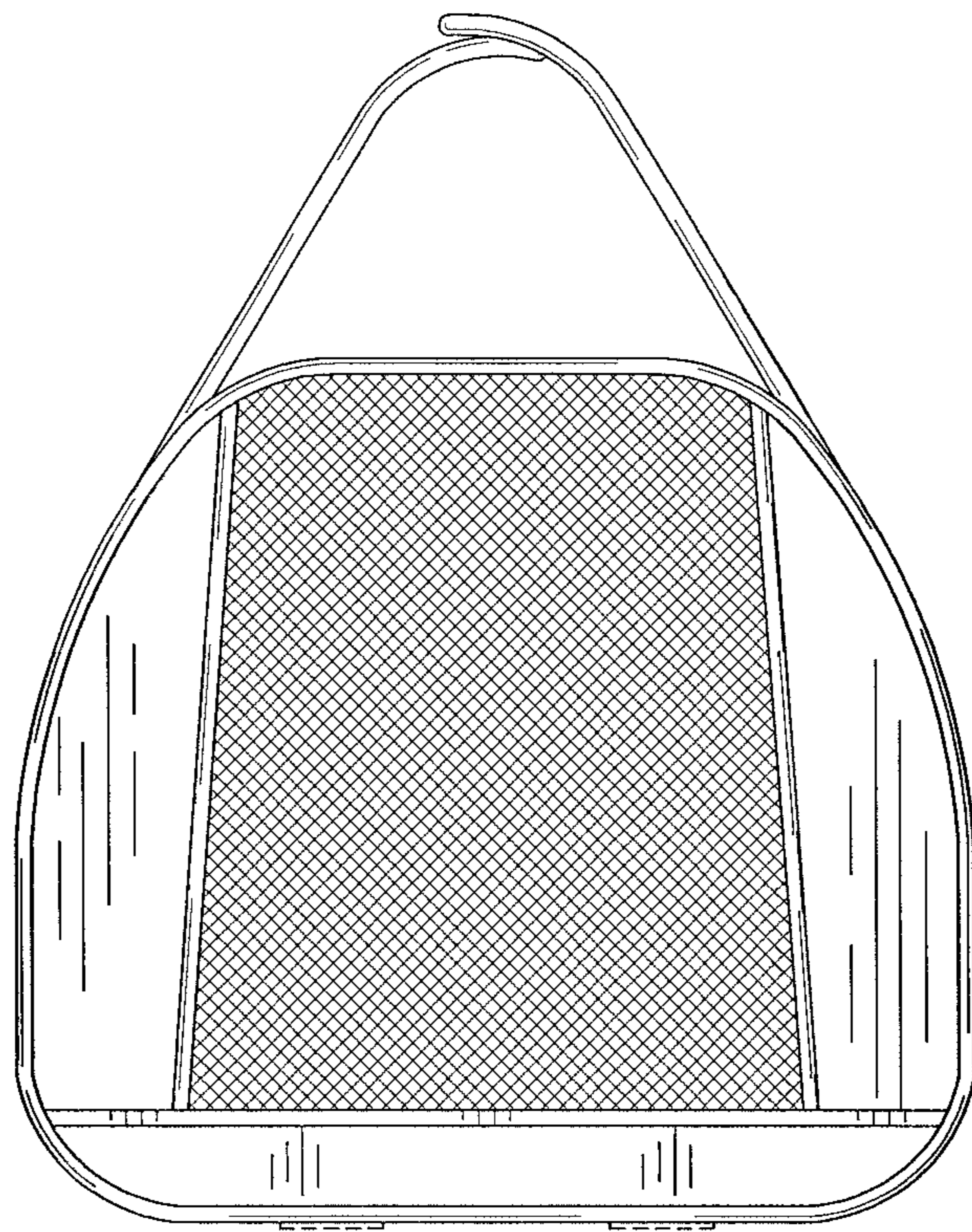


FIG. 4

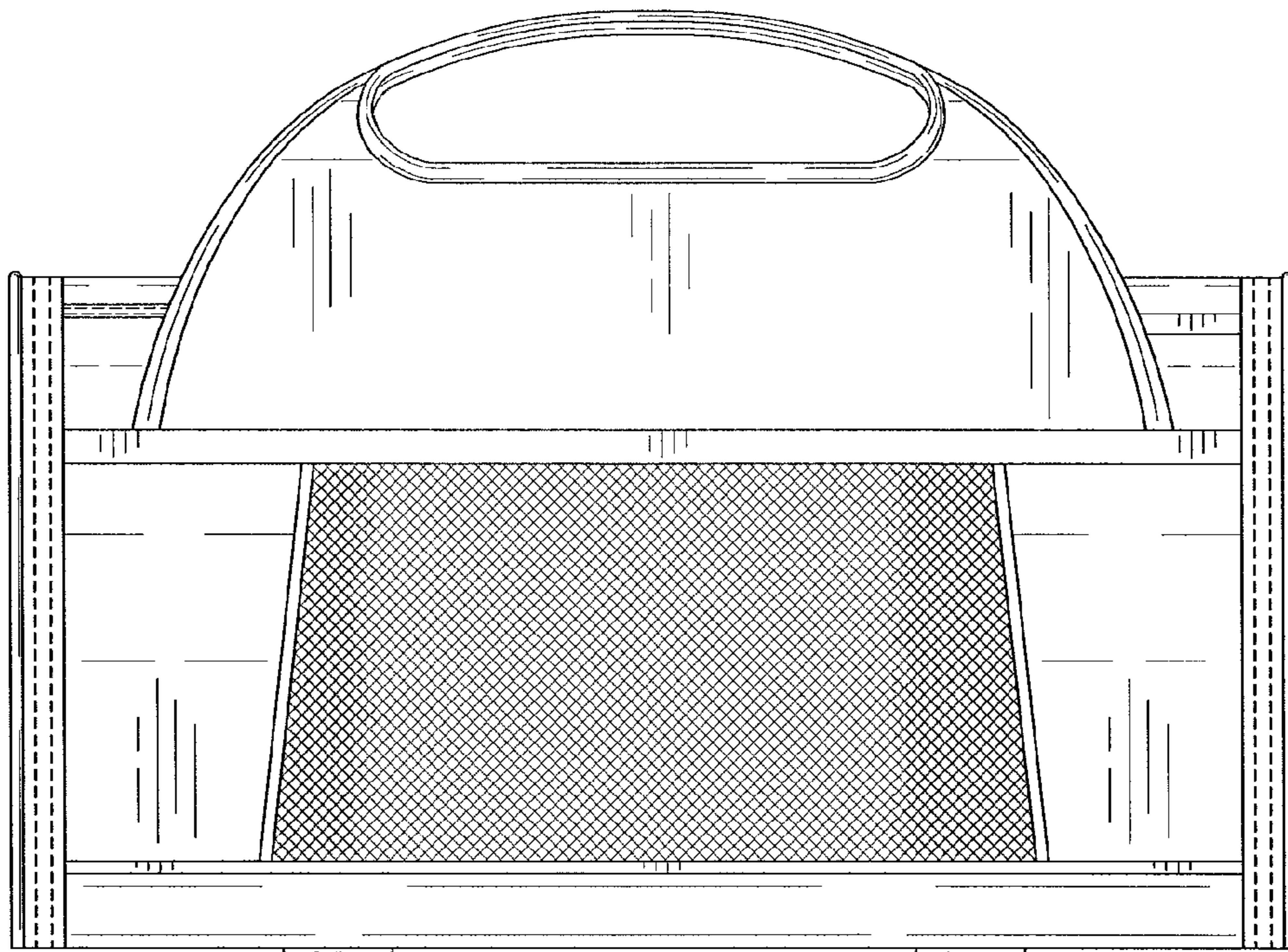


FIG. 5

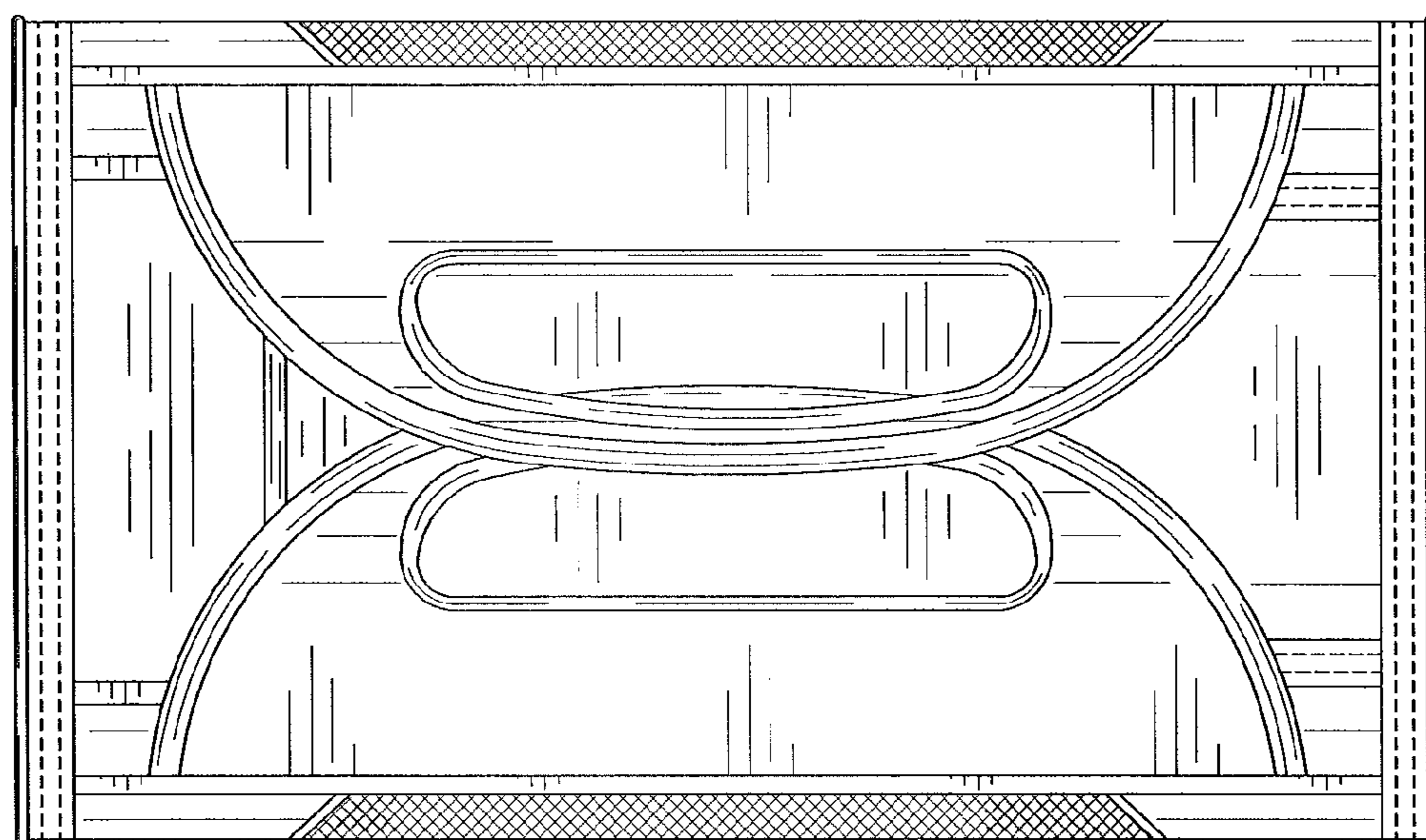


FIG. 6

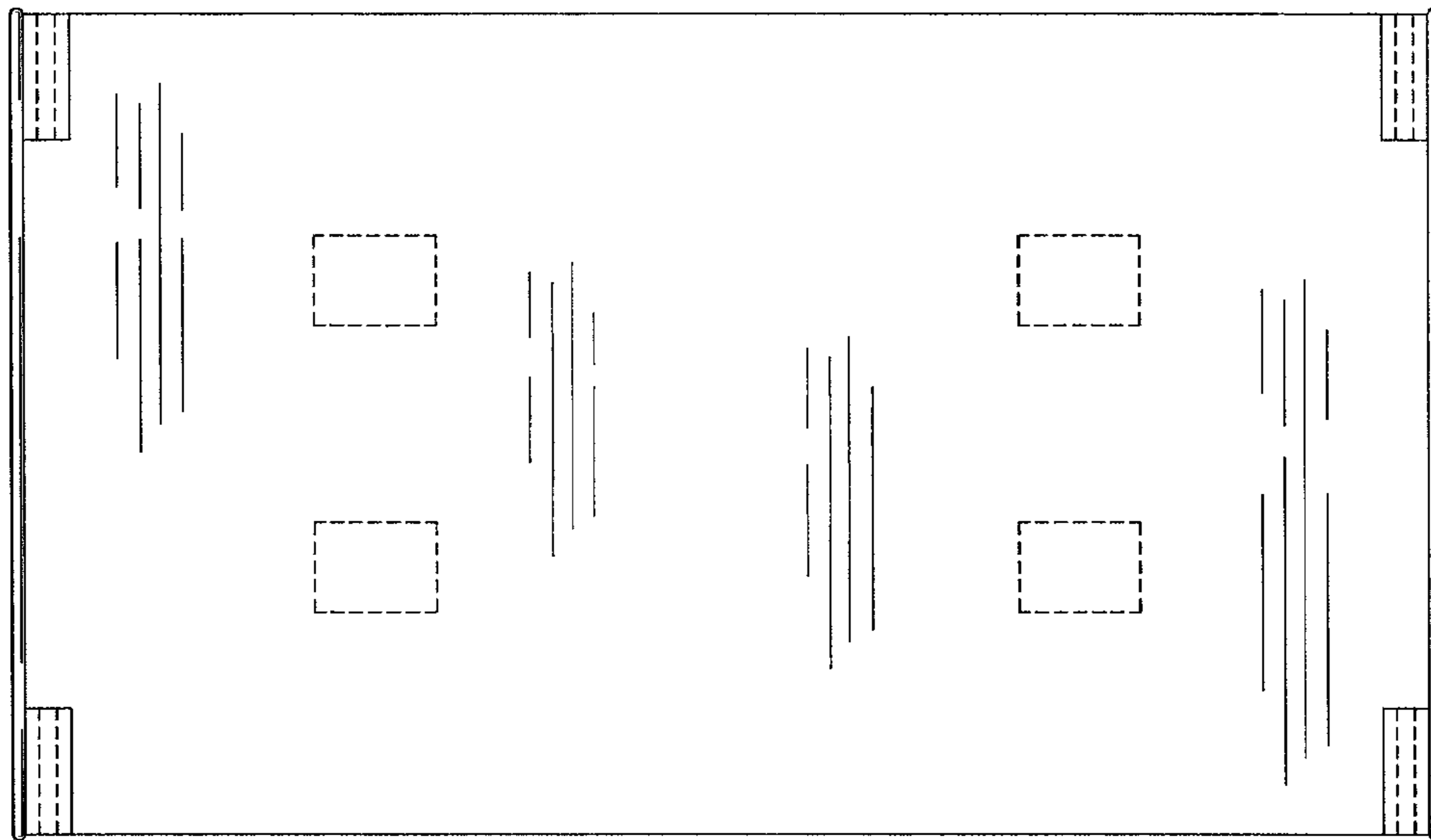


FIG. 7

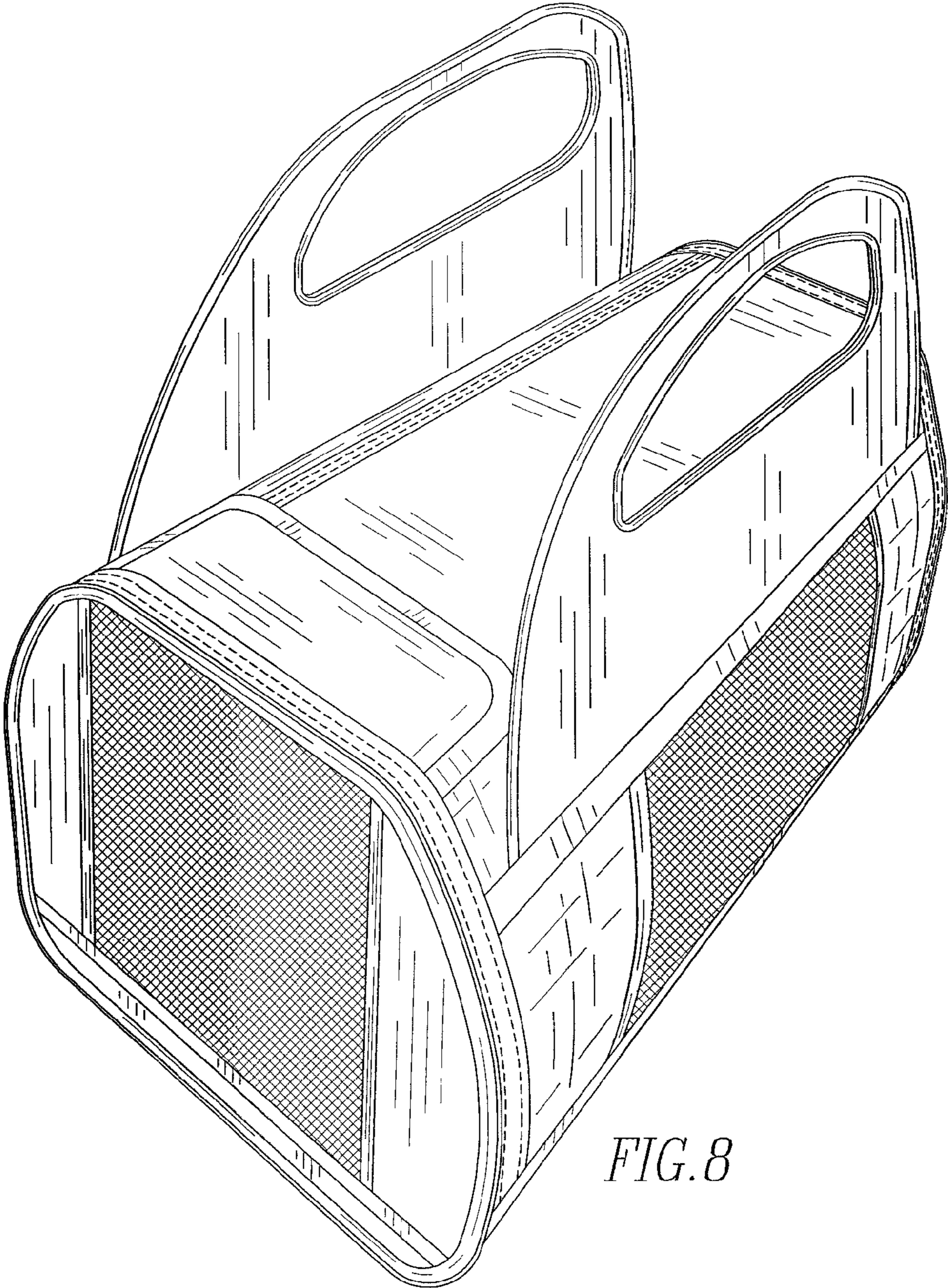


FIG. 8

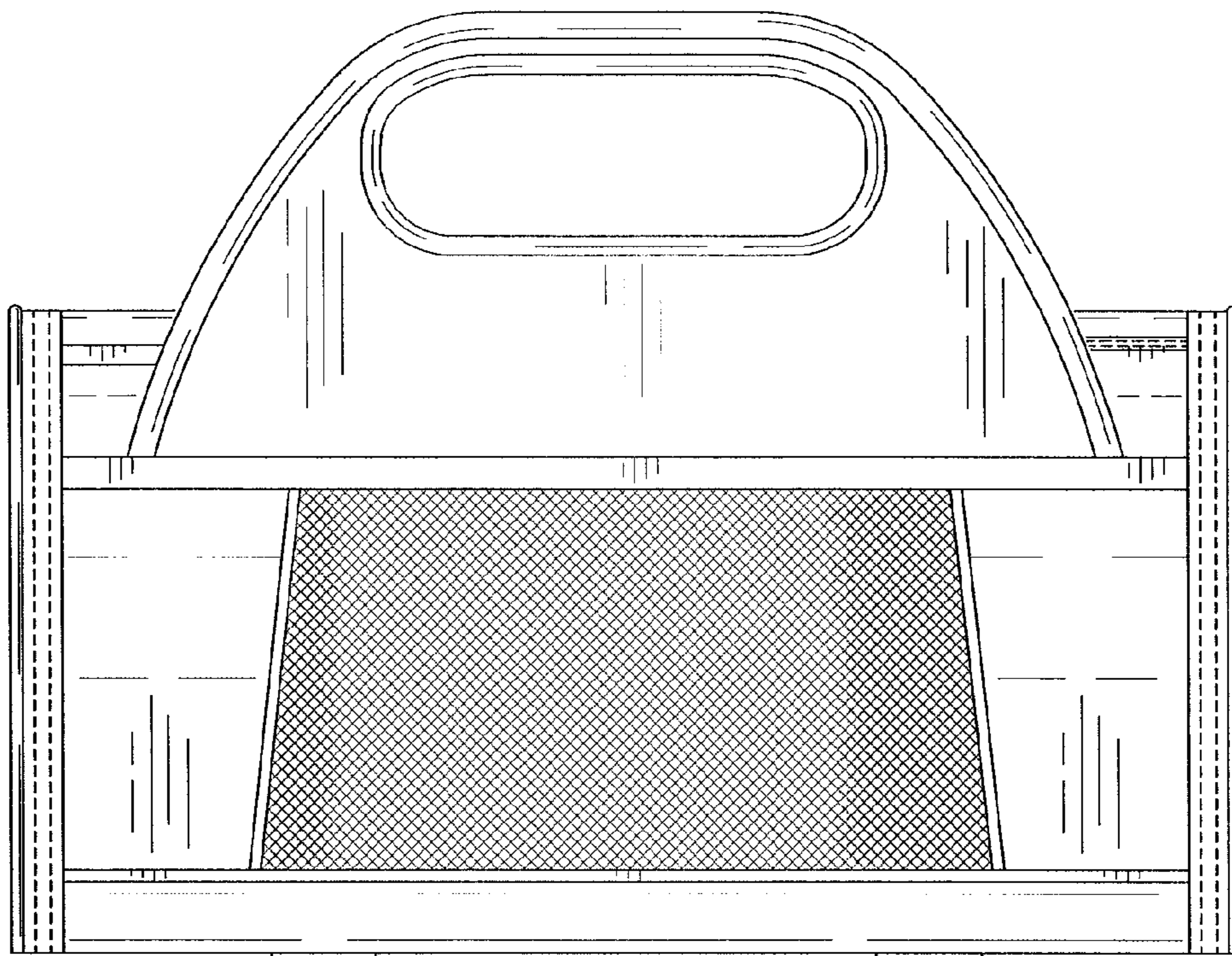


FIG. 9

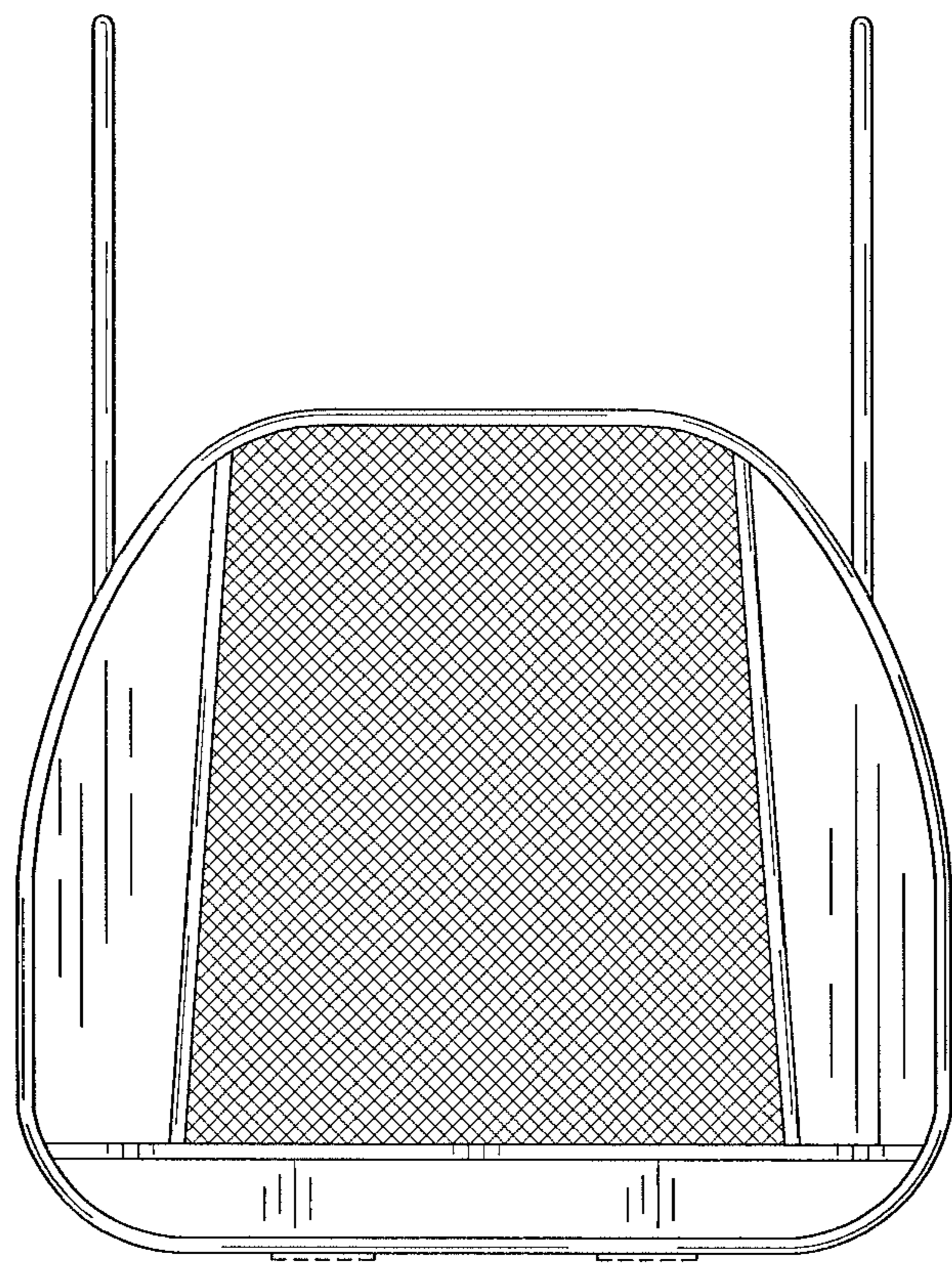


FIG. 10

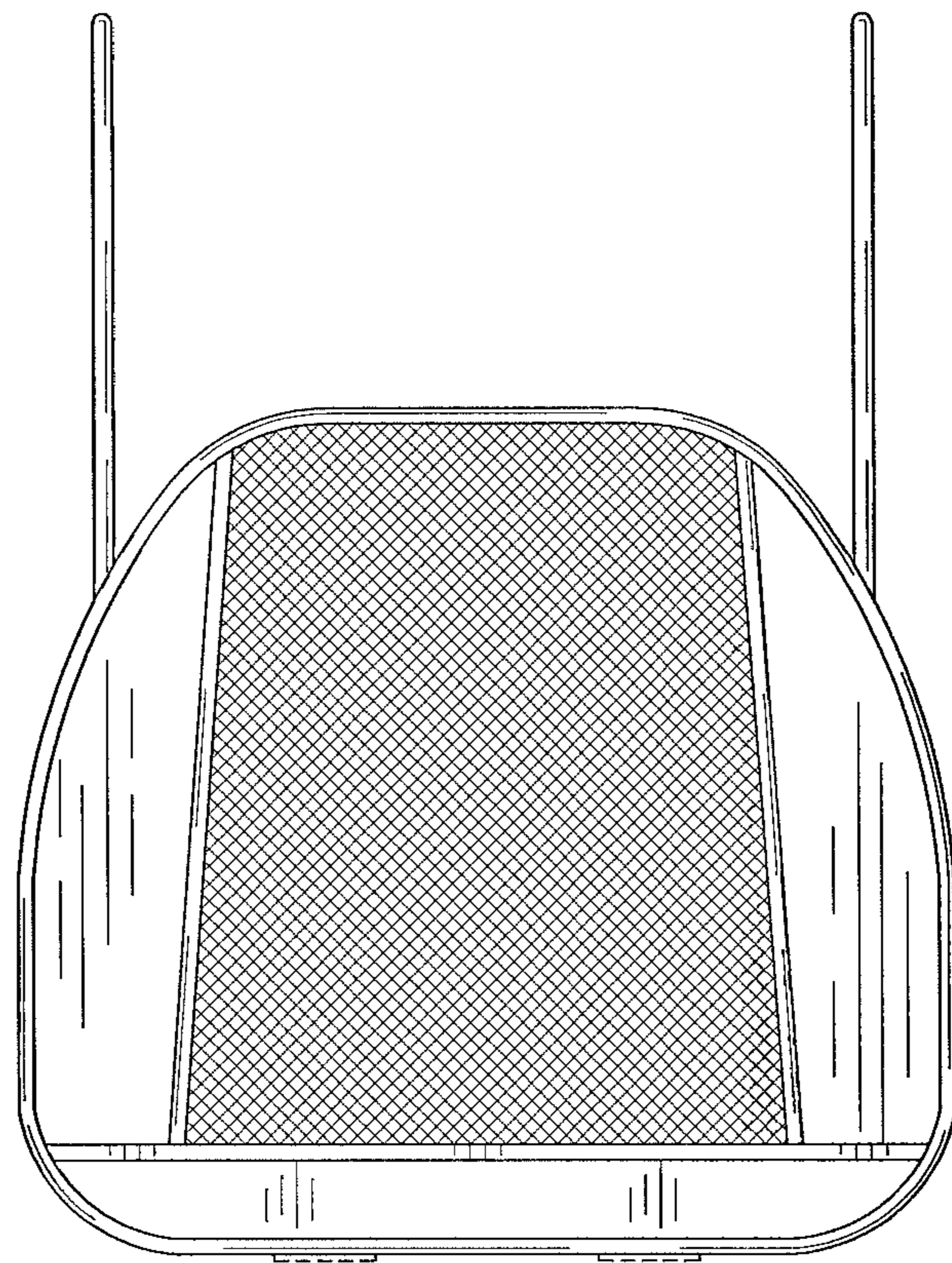


FIG. 11

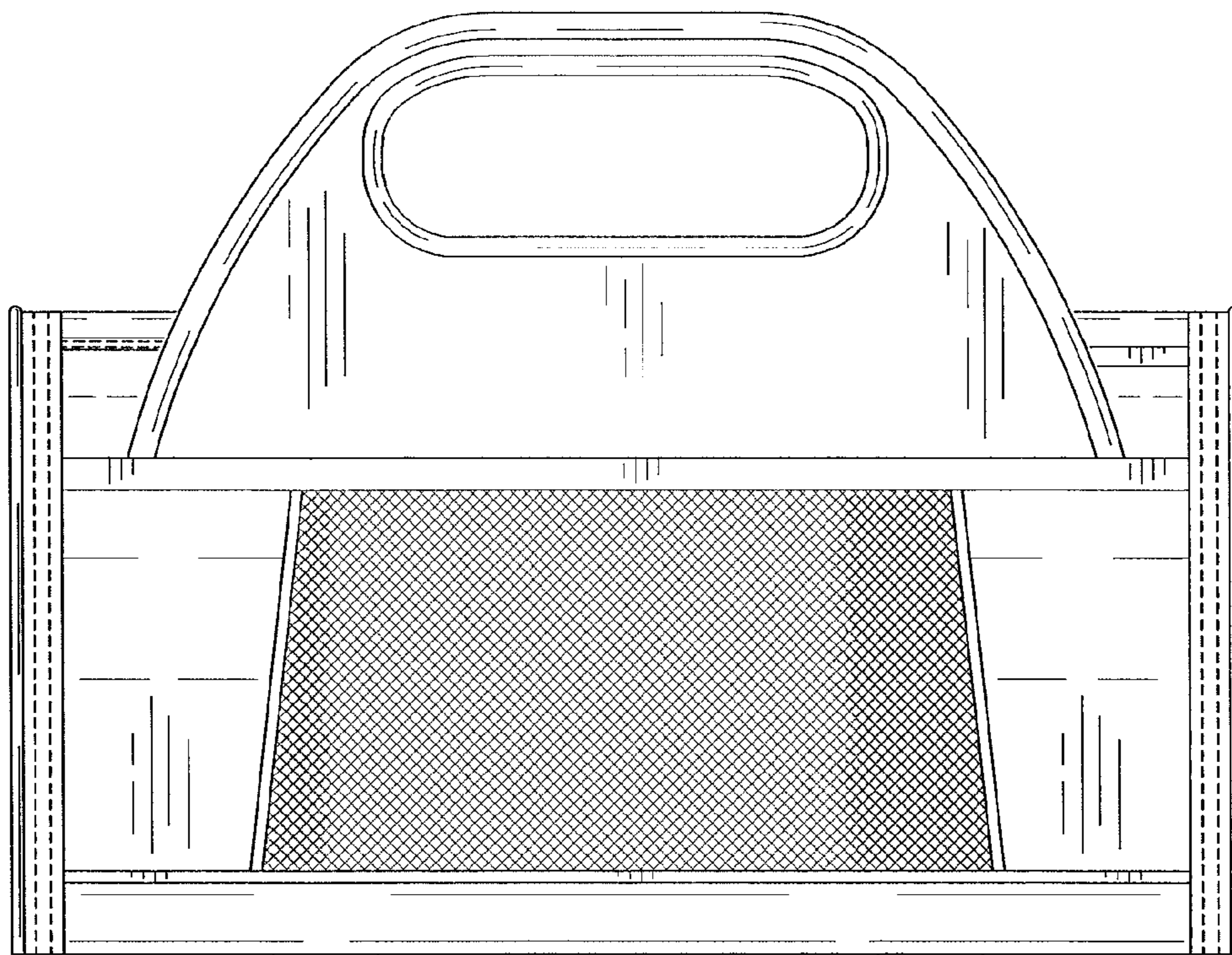


FIG.12

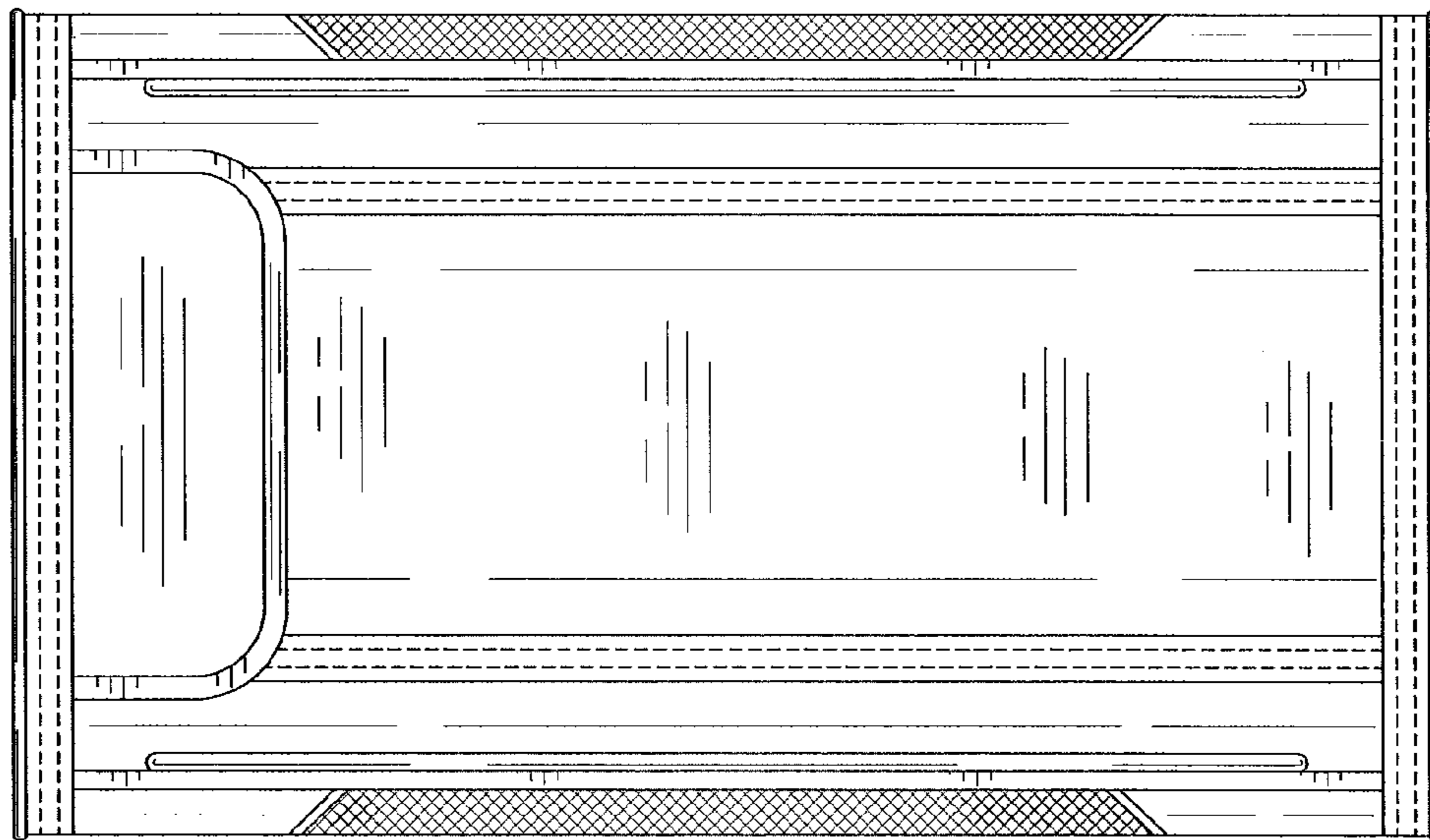


FIG.13

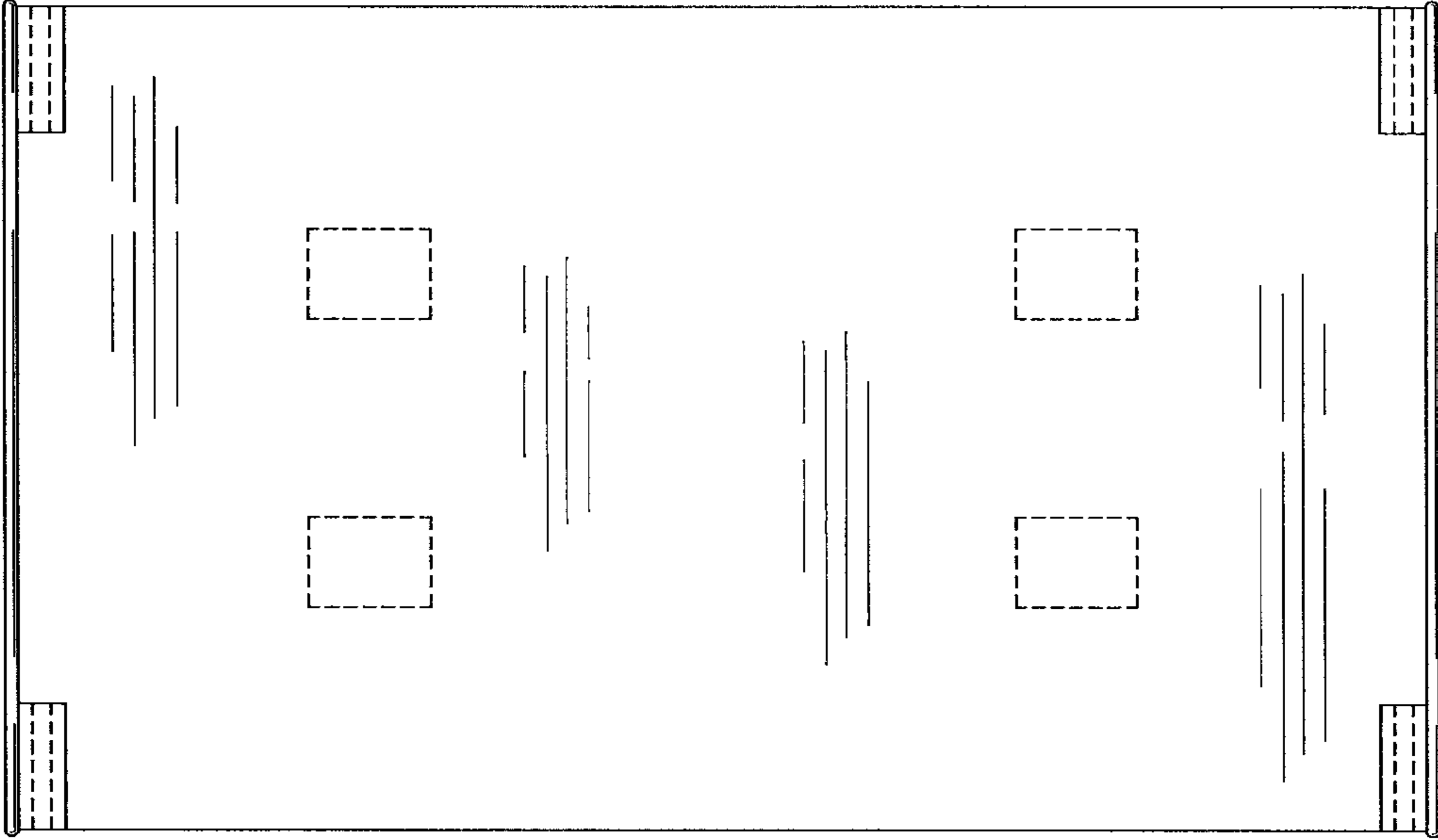


FIG. 14