



US00D715499S

(12) **United States Design Patent**
Schaede

(10) **Patent No.:** **US D715,499 S**
(45) **Date of Patent:** **** Oct. 14, 2014**

(54) **CARRIER**

(71) Applicant: **Harcor Security Seals Pty Limited,**
Frenchs Forest (AU)

(72) Inventor: **Peter Schaede,** Frenchs Forest (AU)

(73) Assignee: **Harcor Security Seals Pty Limited,**
Frenchs Forest (AU)

(**) Term: **14 Years**

(21) Appl. No.: **29/468,540**

(22) Filed: **Oct. 1, 2013**

(30) **Foreign Application Priority Data**

Aug. 29, 2013 (AU) 14297/2013

(51) **LOC (10) Cl.** **29-02**

(52) **U.S. Cl.**
USPC **D29/120.1**

(58) **Field of Classification Search**
USPC D3/202, 221, 227, 229, 257, 303, 315,
D3/904; D7/624.3; 220/740, 903;
224/148.6, 250; D29/120.1

See application file for complete search history.

(56) **References Cited**

U.S. PATENT DOCUMENTS

5,782,390	A *	7/1998	Dorney	224/148.6
D447,625	S *	9/2001	Vazquez	D3/233
D453,620	S *	2/2002	Vazquez	D3/244
6,401,993	B1 *	6/2002	Andrino	224/148.5
6,443,338	B1 *	9/2002	Giacona, III	224/148.6
D474,887	S *	5/2003	Forster	D3/229
6,892,914	B2 *	5/2005	Girbert	224/625
D578,763	S *	10/2008	Walker	D3/317
D581,658	S *	12/2008	Leslie	D3/229
D609,454	S *	2/2010	Porter-Young	D3/202
D622,954	S *	9/2010	Porter-Young	D3/202
D654,684	S *	2/2012	Crofton-Sleigh et al.	D3/229
D663,168	S *	7/2012	Khan	D7/607

* cited by examiner

Primary Examiner — Randall Gholson

(74) *Attorney, Agent, or Firm* — Husch Blackwell, LLP

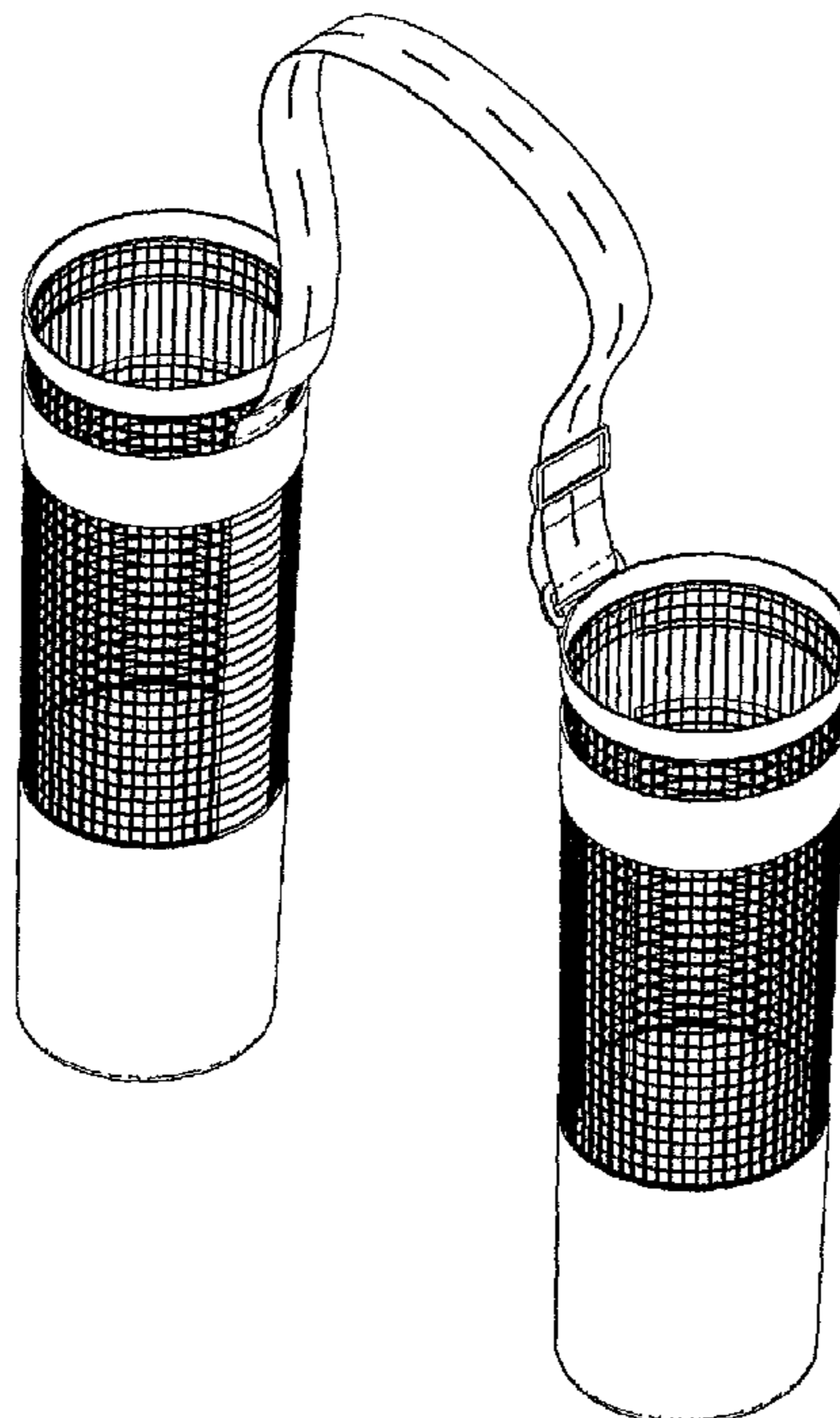
(57) **CLAIM**

The ornamental design for a carrier, as shown and described.

DESCRIPTION

FIG. 1 is a front perspective view of a carrier;
FIG. 2 is a front view of the carrier of FIG. 1, the opposite side
being a mirror image thereof;
FIG. 3 is a top view of the carrier of FIG. 1; and,
FIG. 4 is a left-side view of the carrier of FIG. 1, the opposite
side being a mirror image thereof.
The bottom of the carrier is flat and devoid of surface orna-
mentation.

1 Claim, 4 Drawing Sheets



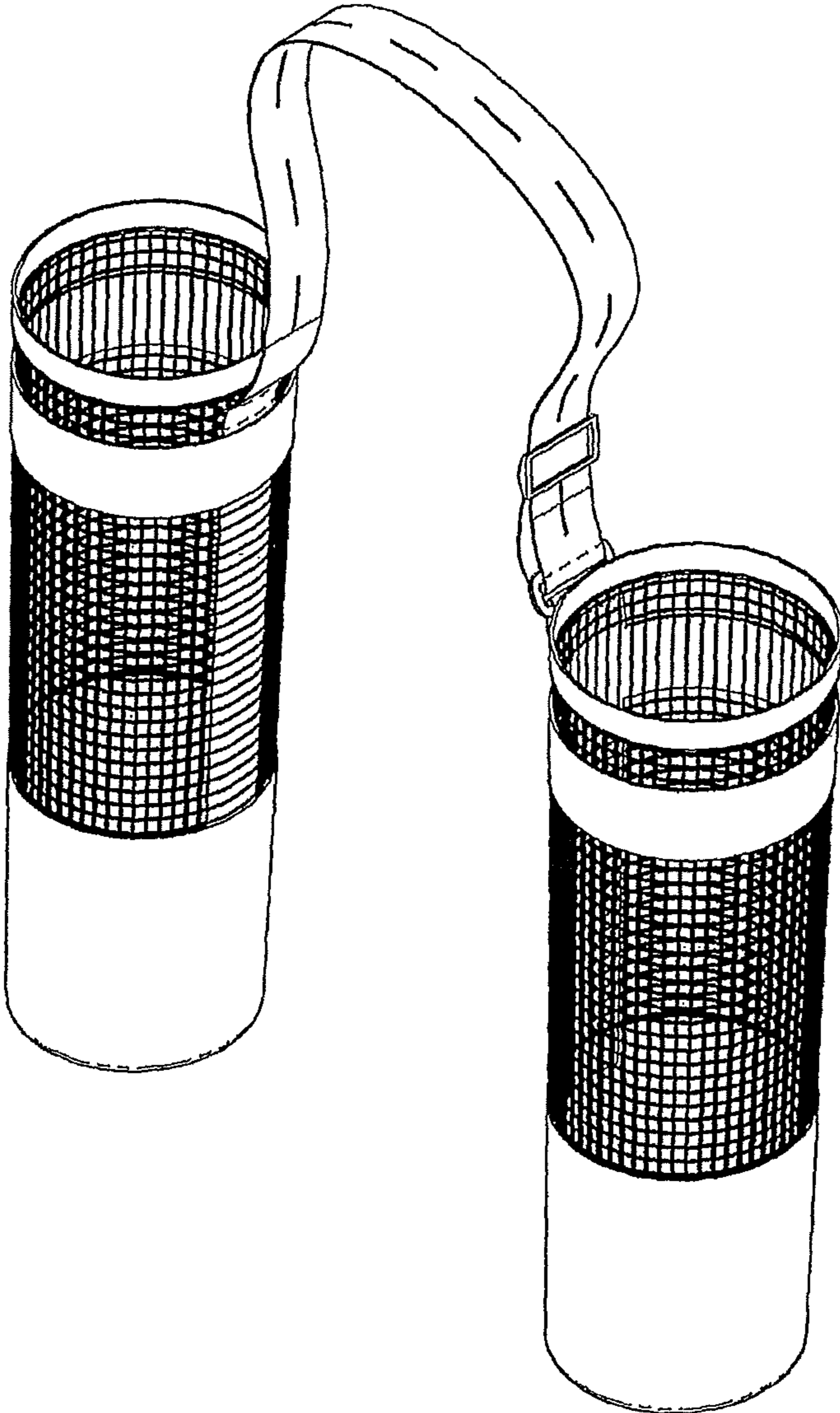


FIG. 1

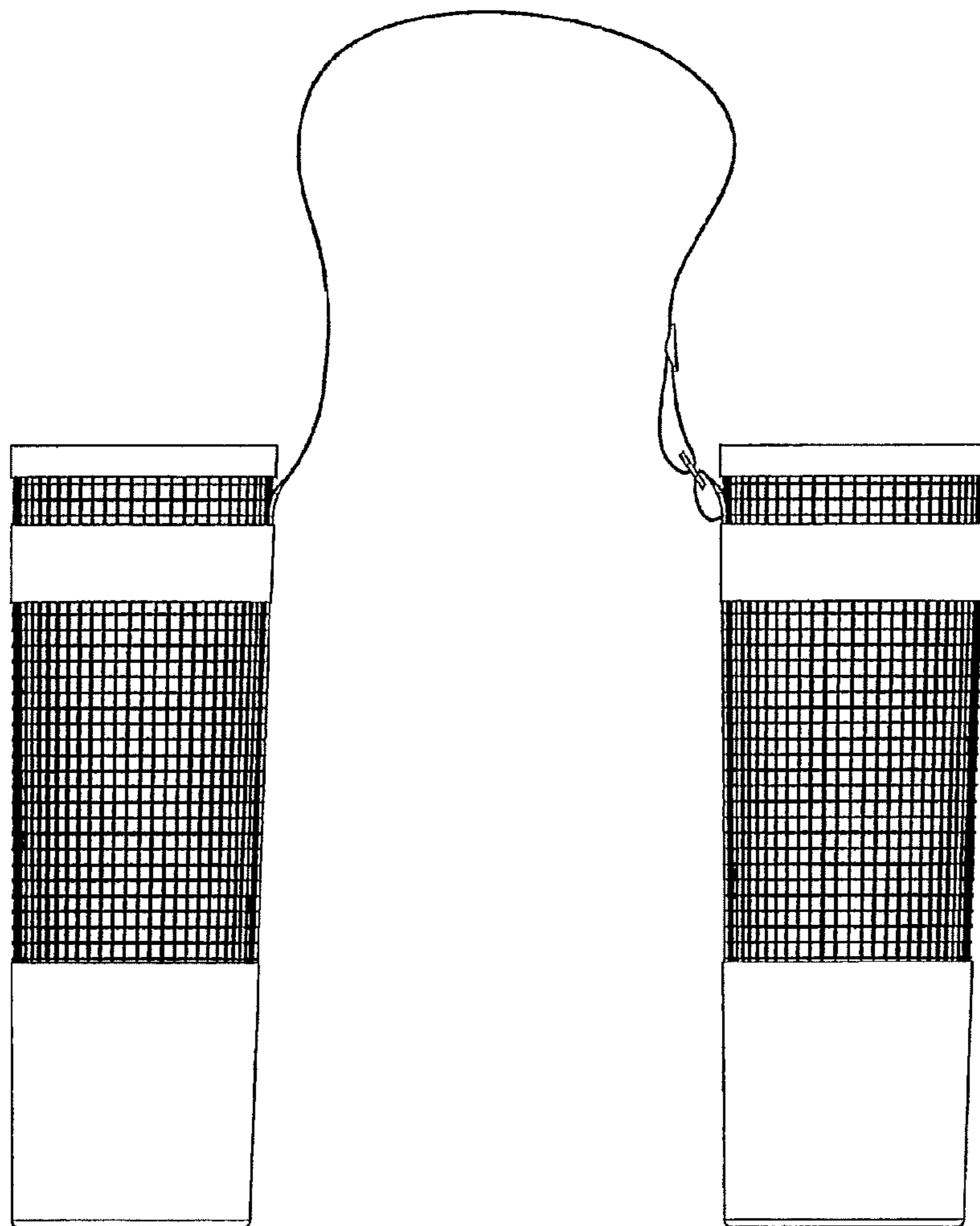


FIG. 2

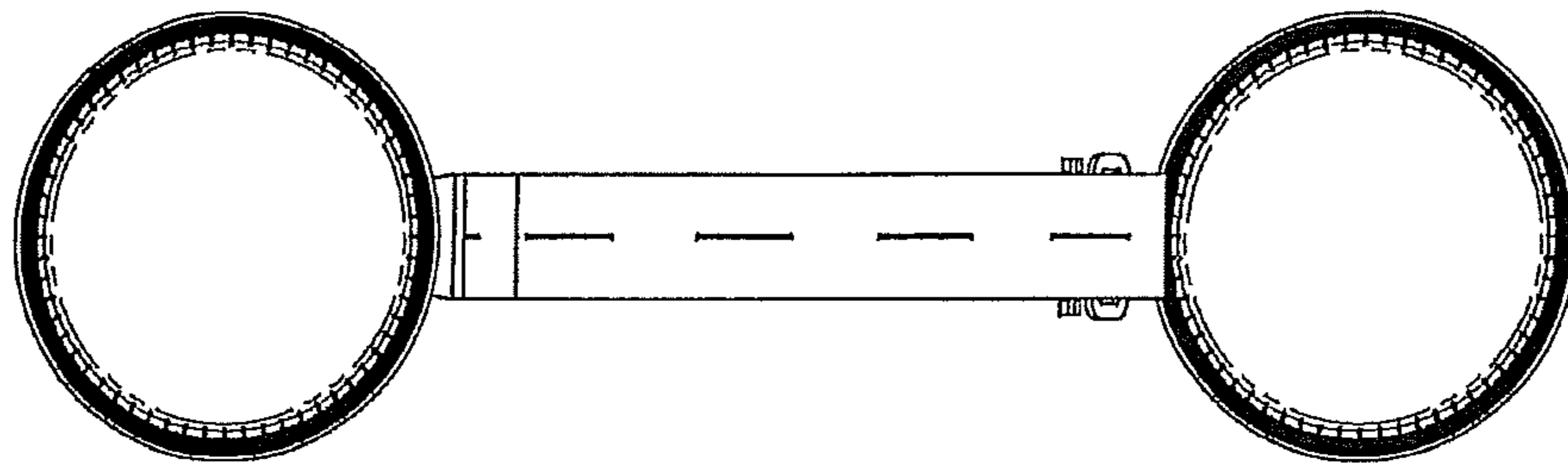


FIG. 3

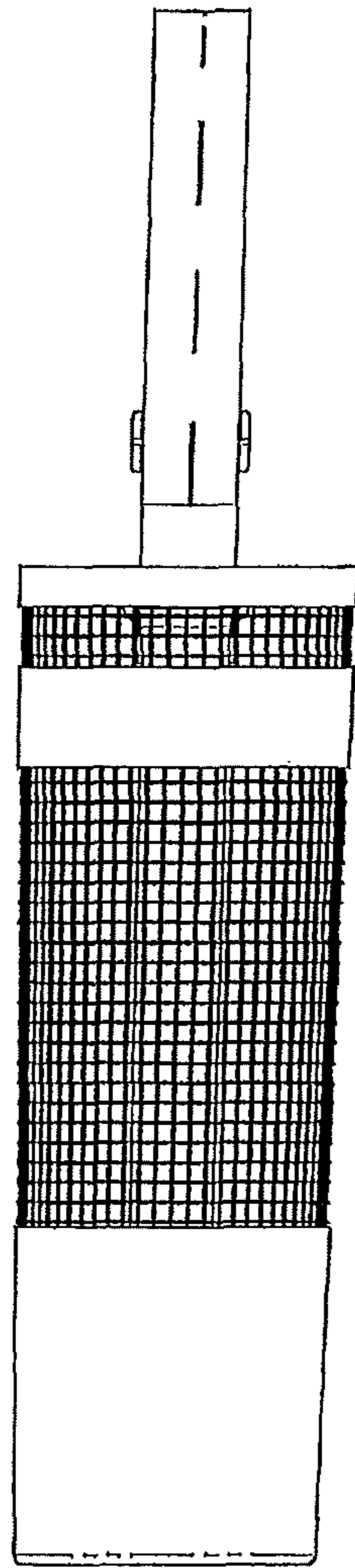


FIG. 4