



US00D715496S

(12) **United States Design Patent**  
**Hain**

(10) **Patent No.:** **US D715,496 S**

(45) **Date of Patent:** **\*\* Oct. 14, 2014**

(54) **GLOVE WITH FOREARM SUN PROTECTOR**

(76) Inventor: **Cynthia J. Hain**, Austin, TX (US)

(\*\*) Term: **14 Years**

(21) Appl. No.: **29/415,886**

(22) Filed: **Mar. 15, 2012**

(51) **LOC (10) Cl.** ..... **02-06**

(52) **U.S. Cl.**  
USPC ..... **D29/117.1**

(58) **Field of Classification Search**  
CPC ... A41D 19/015; A41D 19/0062; A61B 19/04  
USPC ..... D3/215, 218, 224, 22, 235, 271.2;  
D2/610, 611, 612, 613, 614, 615, 616,  
D2/617, 618, 619, 620, 621, 622, 623;  
D21/807; D28/63; D32/40, 41, 42, 43;  
2/159, 162, 168; 15/227

See application file for complete search history.

(56) **References Cited**

**U.S. PATENT DOCUMENTS**

181,011	A *	8/1876	Ranniger	.....	2/162
D39,685	S *	12/1908	Oliver	.....	D2/621
906,856	A *	12/1908	Bernard	.....	2/162
D48,334	S	12/1915	Taylor		
D95,913	S	6/1935	Larom et al.		
D99,200	S	4/1936	Kovar		
D105,581	S *	8/1937	Higier	.....	D2/617
D162,028	S	2/1951	Higier		
3,025,403	A *	3/1962	Belknap et al.	.....	250/516.1
D301,393	S *	6/1989	Gonzalez	.....	D2/610
5,419,014	A *	5/1995	Piantedosi	.....	15/227

D462,825	S	9/2002	Kummings et al.		
6,952,838	B1 *	10/2005	Gillette	.....	2/159
D532,957	S *	12/2006	Hunter et al.	.....	D2/619
D619,328	S *	7/2010	Perine	.....	D2/617
D640,856	S *	7/2011	Rose	.....	D2/614
2011/0035861	A1 *	2/2011	McDonald	.....	2/161.1

\* cited by examiner

*Primary Examiner* — Karen E Eldridge Powers

(74) *Attorney, Agent, or Firm* — Robert C. Montgomery;  
Montgomery Patent & Design

(57) **CLAIM**

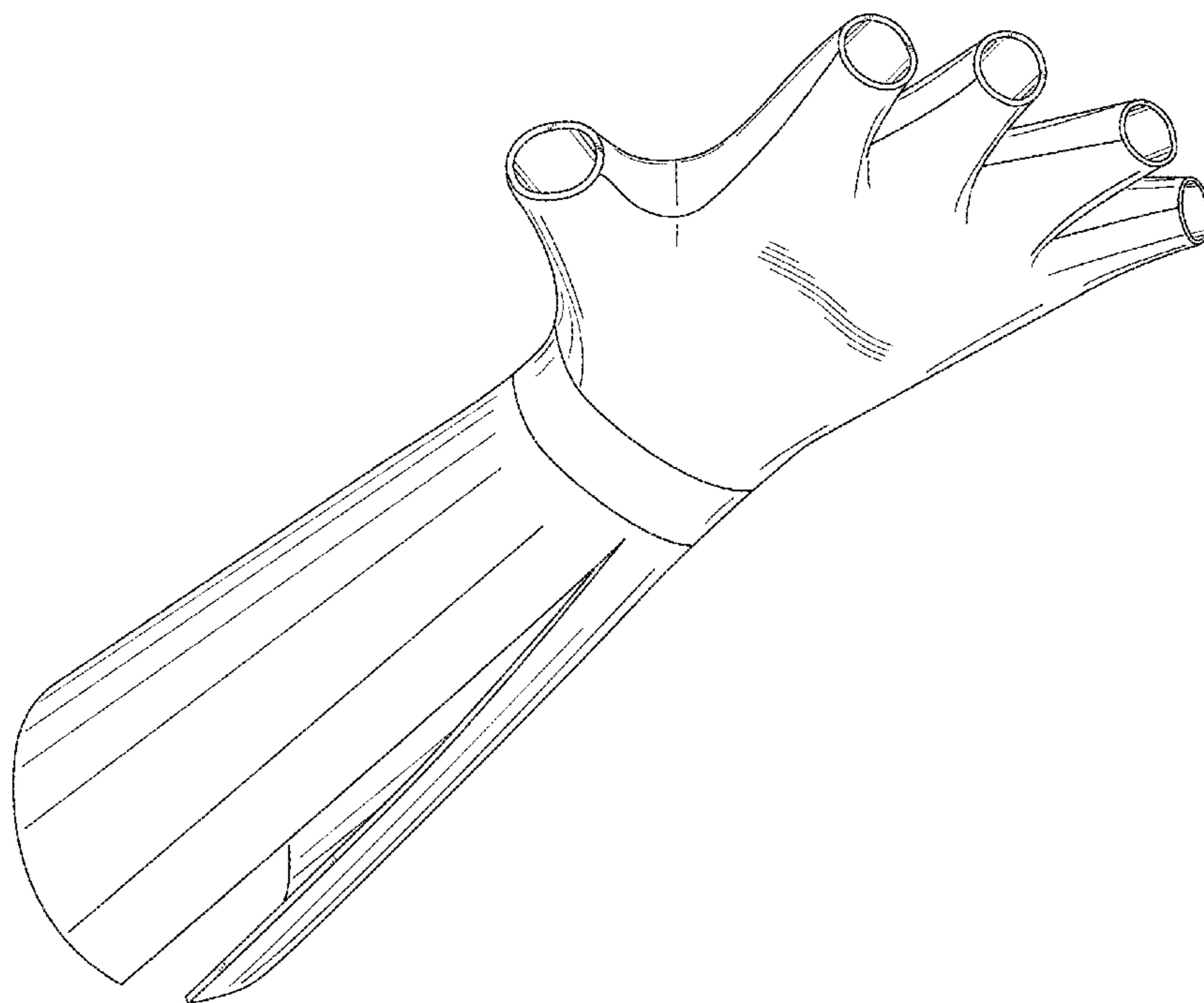
The ornamental design for a glove with a forearm sun protector, as shown and described.

**DESCRIPTION**

FIG. 1 is a perspective bottom view of a glove with a forearm sun protector, showing my new design;  
FIG. 2 is a front view thereof;  
FIG. 3 is a rear view thereof;  
FIG. 4 is a left side view thereof;  
FIG. 5 is a right side view thereof;  
FIG. 6 is a top view thereof; and,  
FIG. 7 is a bottom view thereof.

All figures illustrate a left hand glove, it is to be understood that the invention includes a right hand glove design which would be illustrated as a mirror images of any or all of the views shown in FIGS. 1 through 7.

**1 Claim, 7 Drawing Sheets**



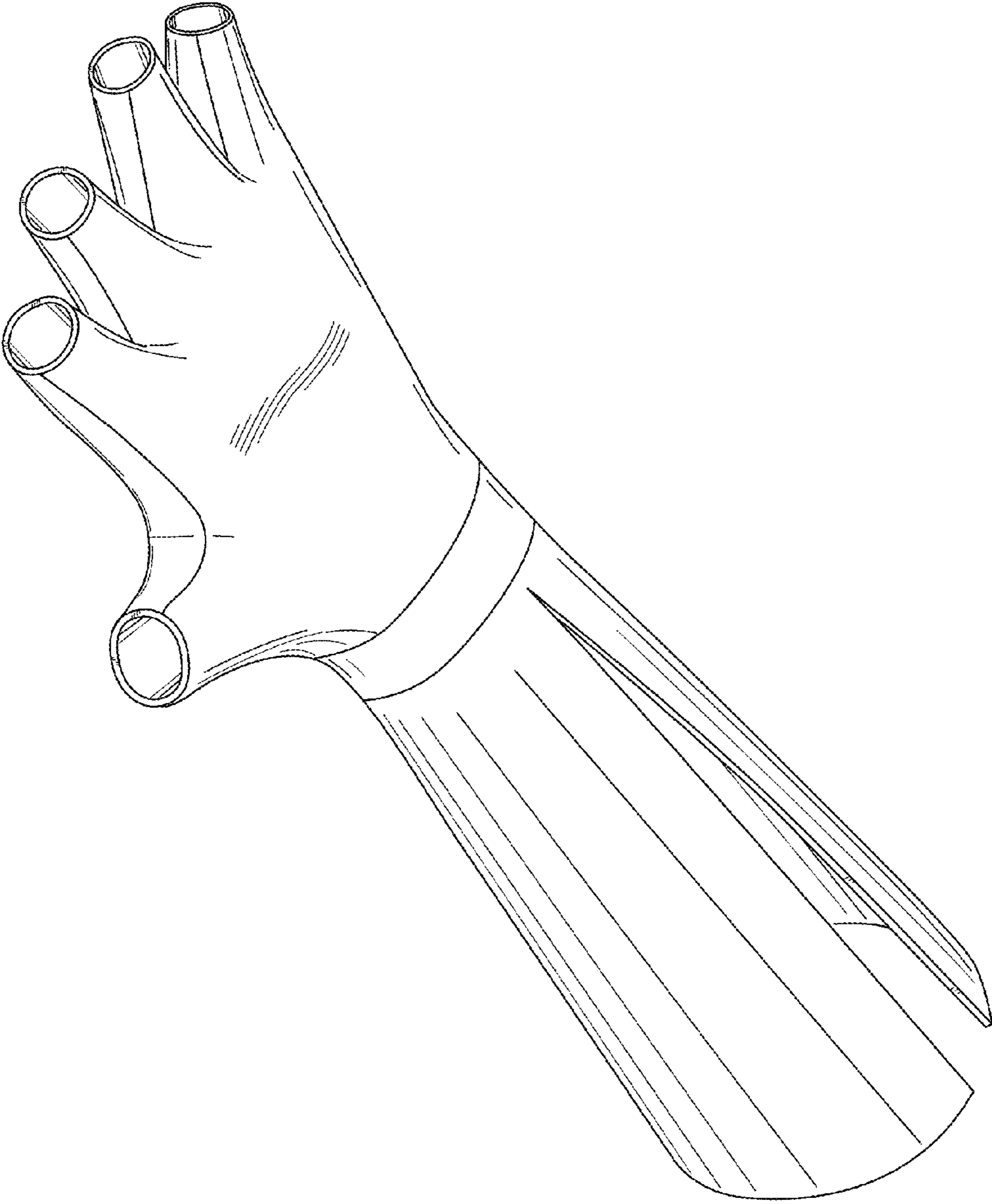


Fig. 1

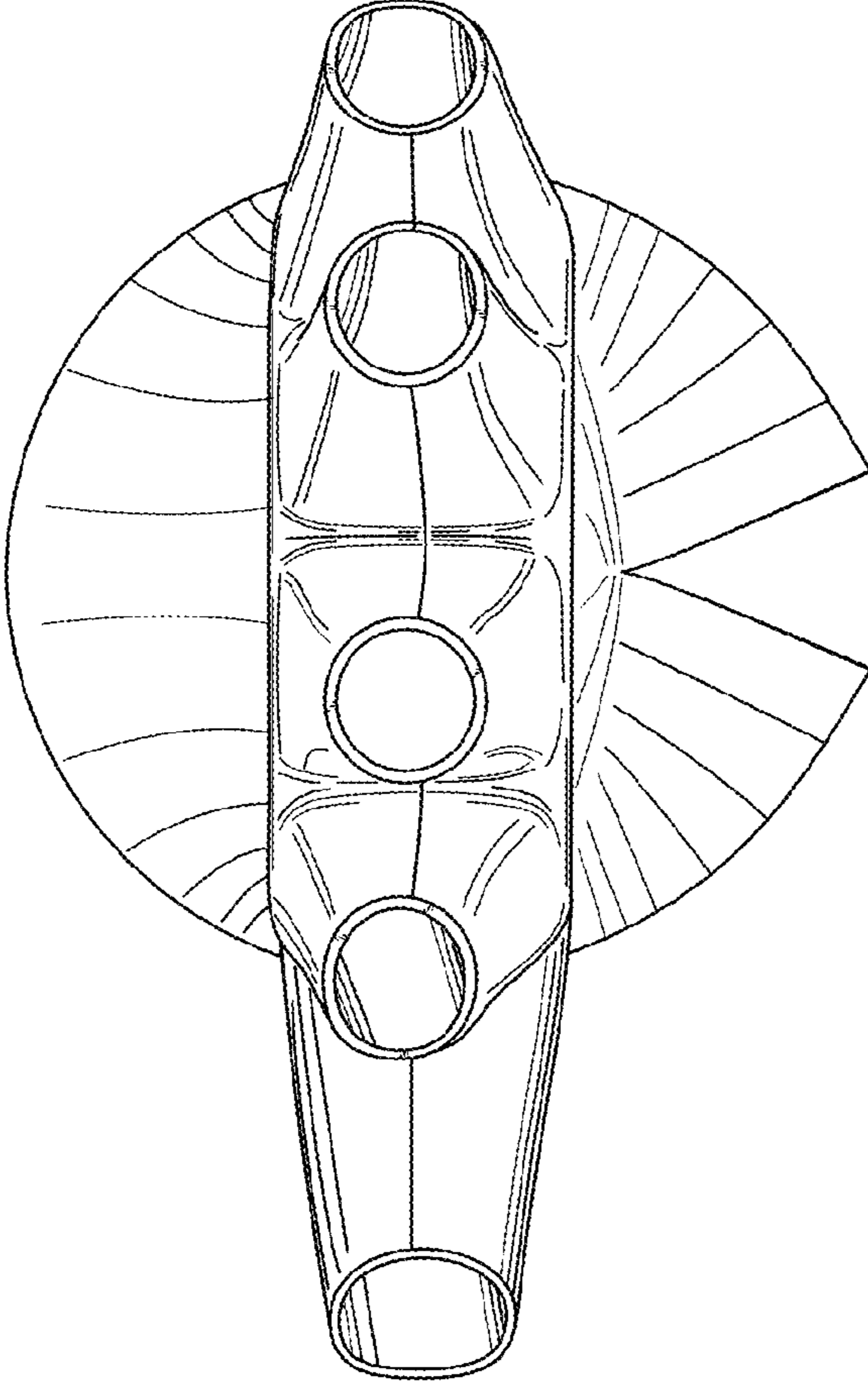


Fig. 2

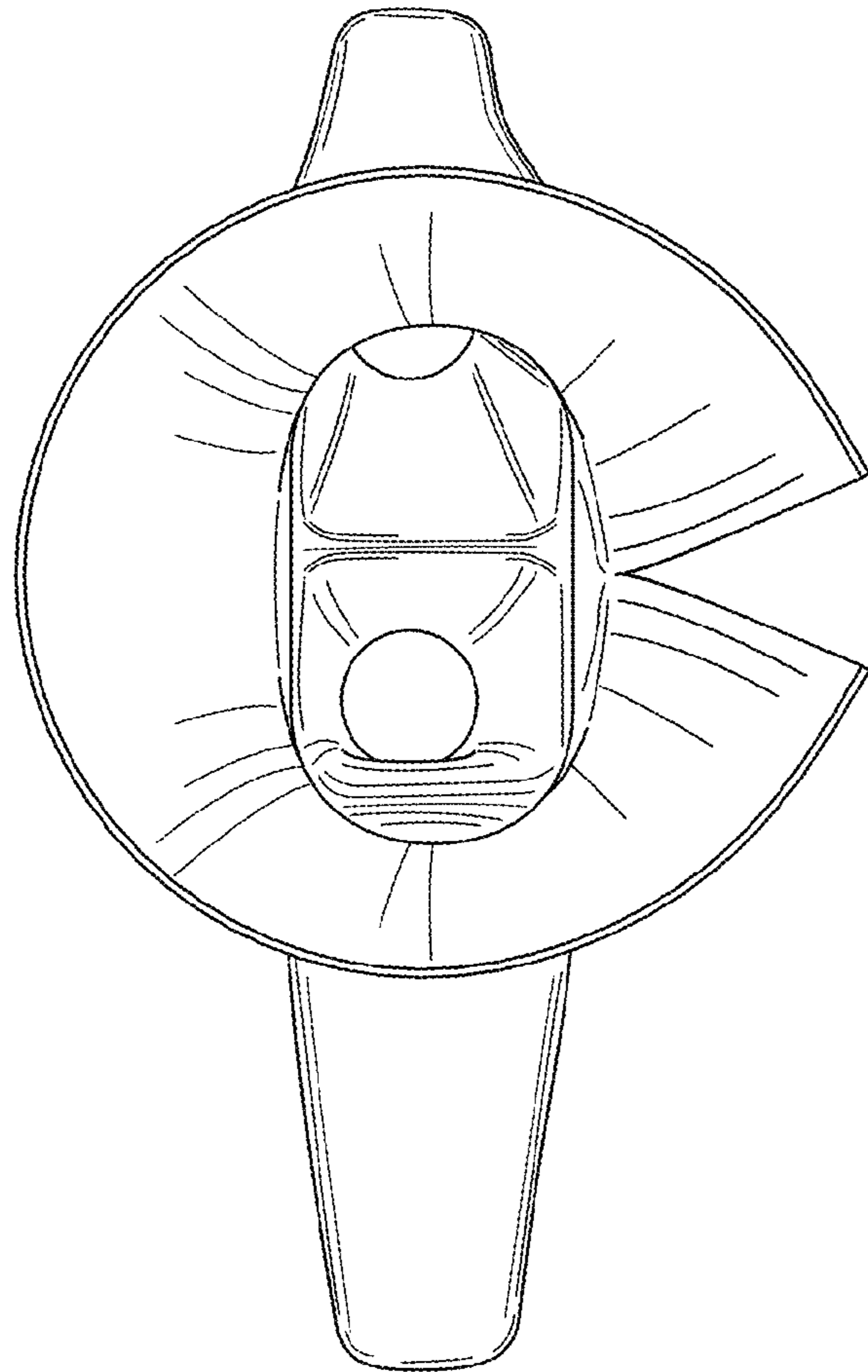


Fig. 3

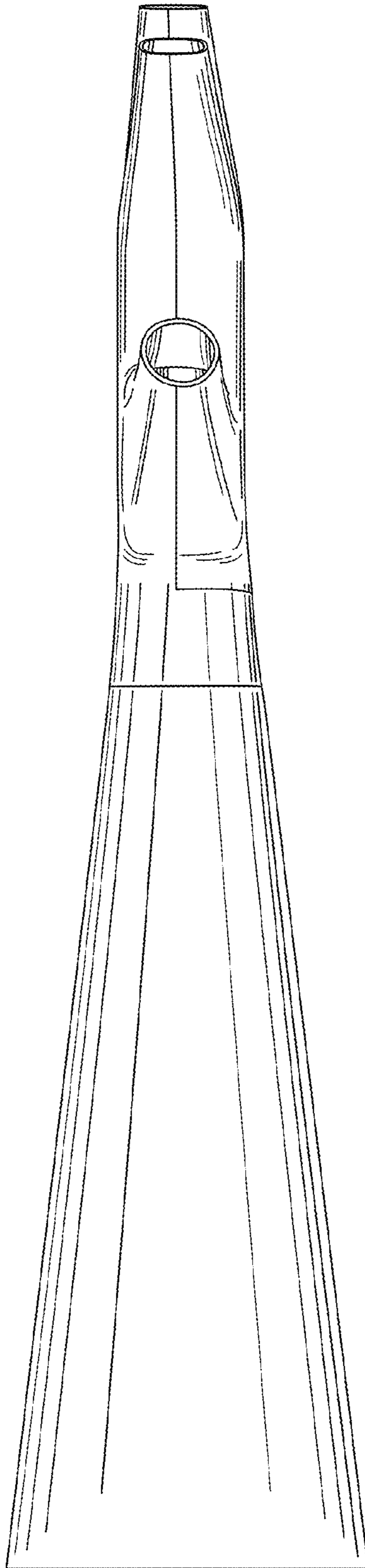


Fig. 4

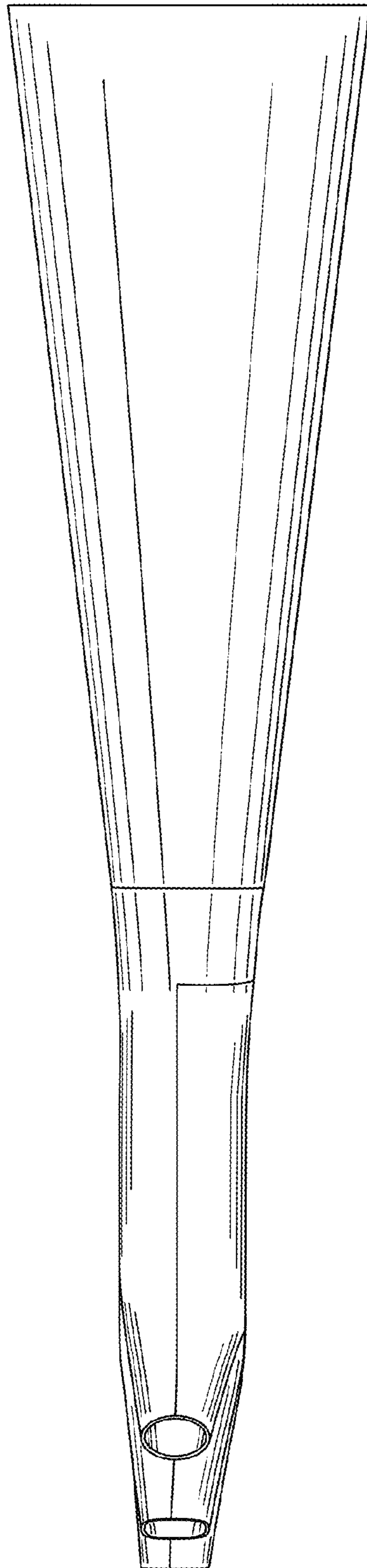


Fig. 5

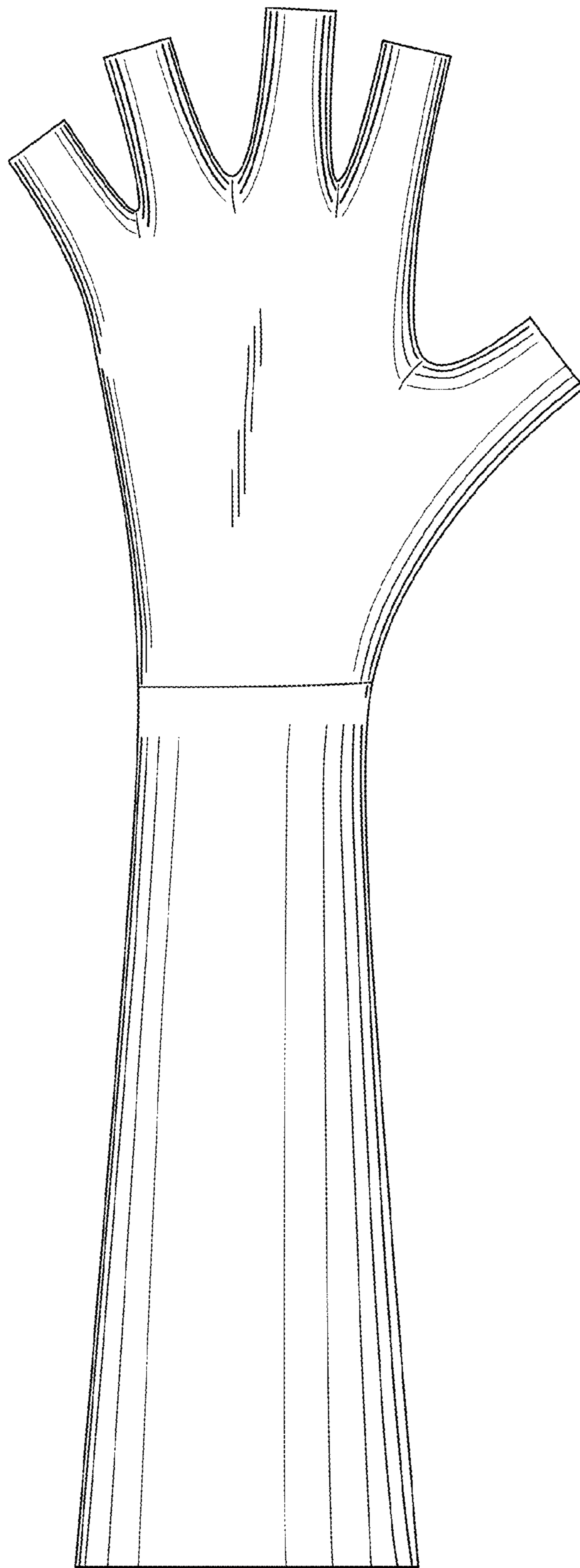


Fig. 6

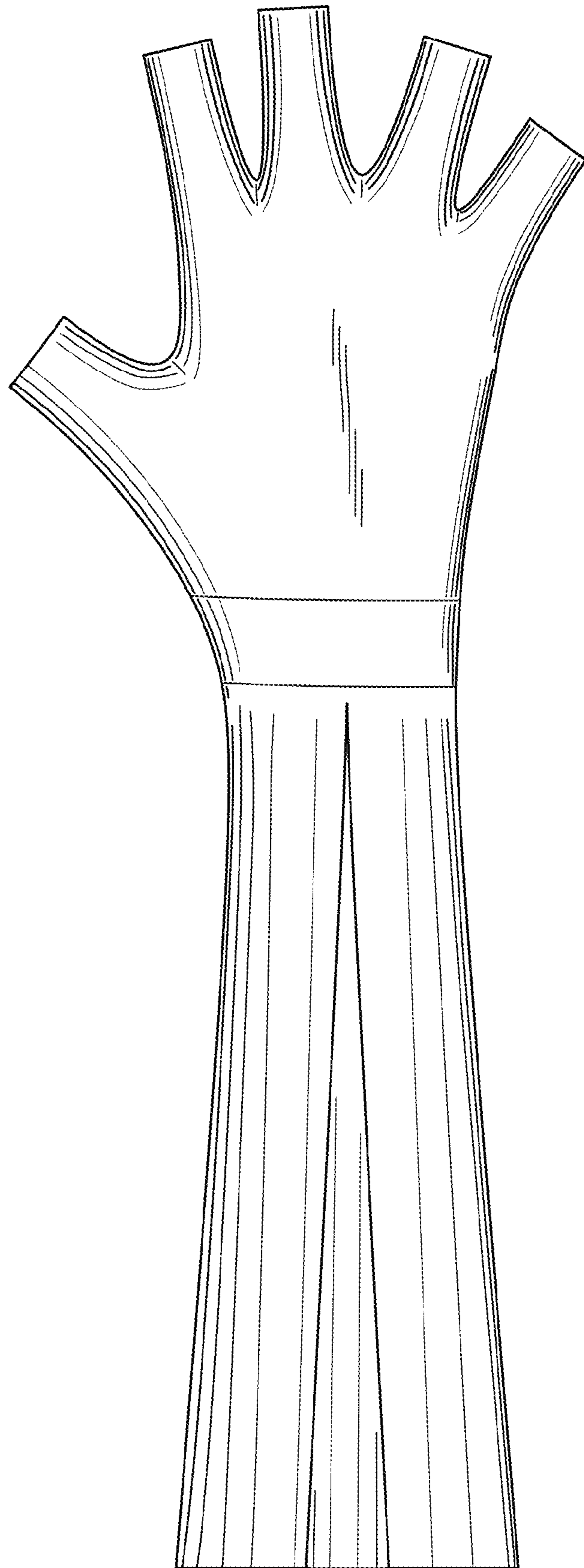


Fig. 7