



US00D715495S

(12) **United States Design Patent**
Yiu

(10) **Patent No.:** **US D715,495 S**
(45) **Date of Patent:** **** Oct. 14, 2014**

- (54) **ATTACHMENT FOR COSMETIC DEVICE**
- (71) Applicant: **Soft Lines International, Ltd.,**
Kowloon (HK)
- (72) Inventor: **Wai Wah Yiu, Kowloon (HK)**
- (73) Assignee: **Soft Lines International, Ltd.,**
Kowloon (HK)
- (**) Term: **14 Years**
- (21) Appl. No.: **29/459,570**
- (22) Filed: **Jul. 1, 2013**
- (51) **LOC (10) Cl.** **28-03**
- (52) **U.S. Cl.**
USPC **D28/62; D28/54**
- (58) **Field of Classification Search**
USPC 132/73, 73.5-73.6, 75.3, 75.6, 75.8,
132/76.4-76.5; D28/56-59, 49-54, 62;
30/43.92, 34.1, 26; D24/146, 133;
606/131-134; 607/88
See application file for complete search history.

- 6,471,712 B2 10/2002 Burres
- 6,523,546 B2 2/2003 Jo et al.
- 6,551,262 B1 4/2003 Lechtman
- 6,824,461 B1 11/2004 Dolev
- 6,824,546 B1 11/2004 Yiu
- D499,842 S 12/2004 Yiu
- D509,626 S 9/2005 Yiu
- D556,380 S 11/2007 Long et al.
- D581,596 S 11/2008 Sarway
- D598,165 S 8/2009 Platek
- 7,581,545 B1 9/2009 Moldawski et al.

(Continued)

OTHER PUBLICATIONS

U.S. Appl. No. 29/450,476, filed Mar. 18, 2013, Soft Lines International, Ltd.

(Continued)

Primary Examiner — Jennifer Rivard
(74) *Attorney, Agent, or Firm* — Foley & Lardner LLP

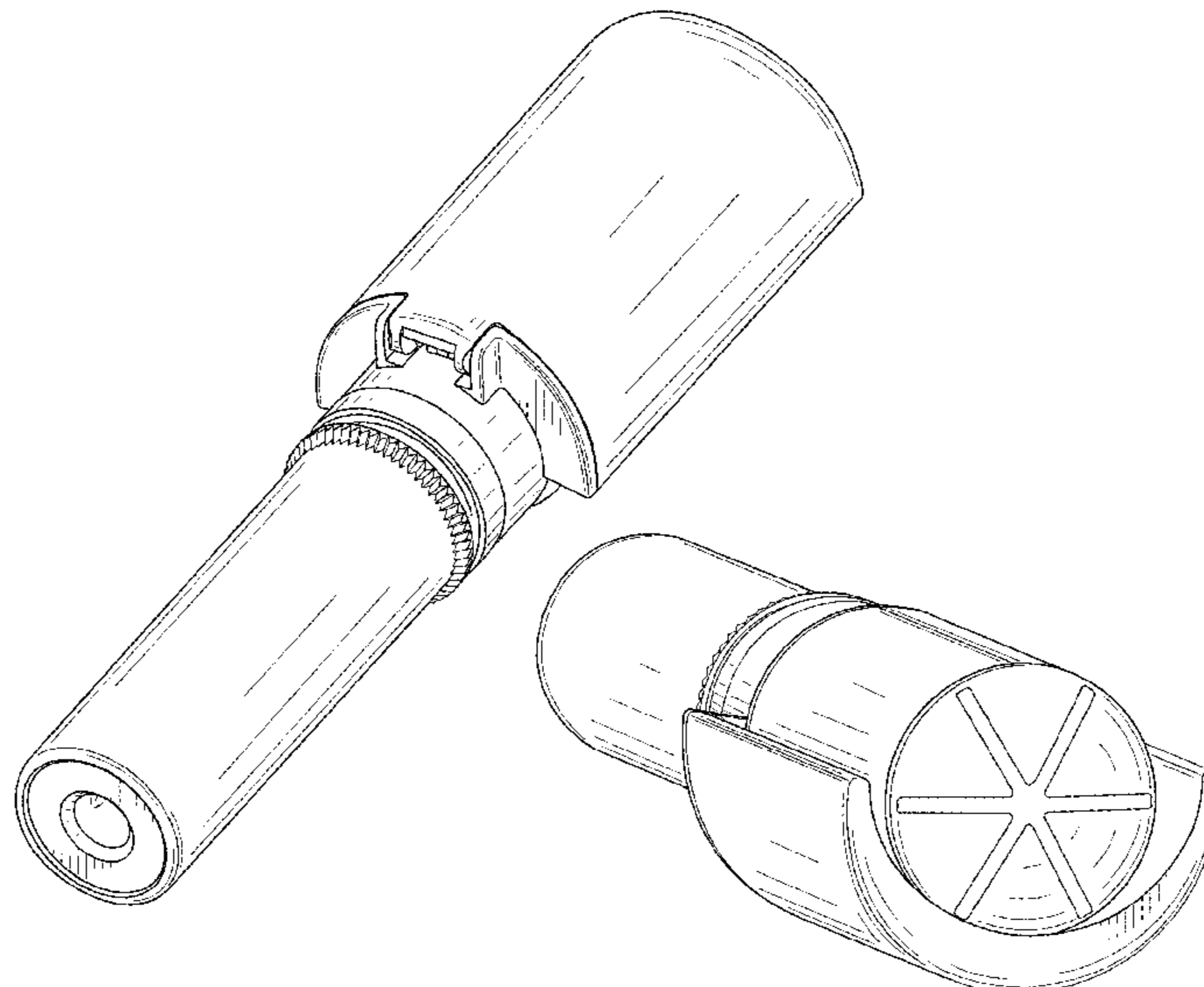
(57) **CLAIM**
I claim the ornamental design for an attachment for cosmetic device, as shown and described.

DESCRIPTION

FIG. 1 is a top, front, left perspective view of a first embodiment of the claimed design;
FIG. 2 is a bottom, rear, right perspective view thereof;
FIG. 3 is a front elevation view thereof;
FIG. 4 is a rear elevation view thereof;
FIG. 5 is a top plan view thereof;
FIG. 6 is a bottom plan view thereof;
FIG. 7 is a left elevation view thereof; and,
FIG. 8 is a right elevation view thereof.
The ornamental design which is claimed is shown in solid lines in the drawings. The broken lines illustrate portions of the attachment for cosmetic device and form no part of the claimed design.

1 Claim, 3 Drawing Sheets

- (56) **References Cited**
U.S. PATENT DOCUMENTS
- 1,482,837 A 2/1924 Buck
- 2,867,214 A 1/1959 Wilson
- 2,936,768 A 5/1960 Chamberlain
- 3,581,393 A 6/1971 Yager
- 4,935,184 A 6/1990 Sorensen
- 5,033,485 A 7/1991 Hauerwas et al.
- 5,281,233 A 1/1994 Dolev
- 5,377,699 A 1/1995 Varnum
- 5,383,273 A 1/1995 Muller et al.
- D409,335 S 5/1999 Slater
- 5,976,157 A 11/1999 Yiu
- 6,123,713 A 9/2000 Yiu
- 6,159,222 A 12/2000 Yiu
- 6,391,034 B1 5/2002 Adamson et al.
- 6,436,106 B2 8/2002 Yiu



(56)

References Cited

U.S. PATENT DOCUMENTS

7,597,696	B2	10/2009	Poran	
D611,198	S	3/2010	Platek	
D626,693	S	11/2010	Harbeke	
D628,744	S	12/2010	Goetschi	
D638,166	S	5/2011	Martinez De San Vicente	
D645,204	S	9/2011	Platek	
D676,200	S	2/2013	Yiu	
D678,614	S	3/2013	Yiu	
D681,277	S	4/2013	Yiu	
D686,370	S *	7/2013	Yiu	D28/58
D692,181	S *	10/2013	Yiu	D28/58
8,551,117	B2 *	10/2013	Yiu	606/131
2002/0050278	A1 *	5/2002	Jo et al.	132/73.6
2005/0172490	A1 *	8/2005	Yiu	30/34.1

2005/0187563	A1	8/2005	Yiu	
2006/0260629	A1	11/2006	Chern	
2008/0187563	A1	8/2008	Levy	
2009/0182349	A1	7/2009	Poran	
2009/0301507	A1	12/2009	Tes et al.	
2012/0226289	A1 *	9/2012	Yiu	606/131
2014/0025091	A1 *	1/2014	Yiu	606/131

OTHER PUBLICATIONS

U.S. Appl. No. 29/433,639, filed Oct. 2, 2012, Forstar Limited.
 U.S. Appl. No. 29/435,131, filed Oct. 19, 2012, Soft Lines International, Ltd.
 U.S. Appl. No. 29/440,569, filed Dec. 21, 2012, Forstar Limited.
 U.S. Appl. No. 29/444,220, filed Jan. 28, 2013, Soft Lines International, Ltd.

* cited by examiner

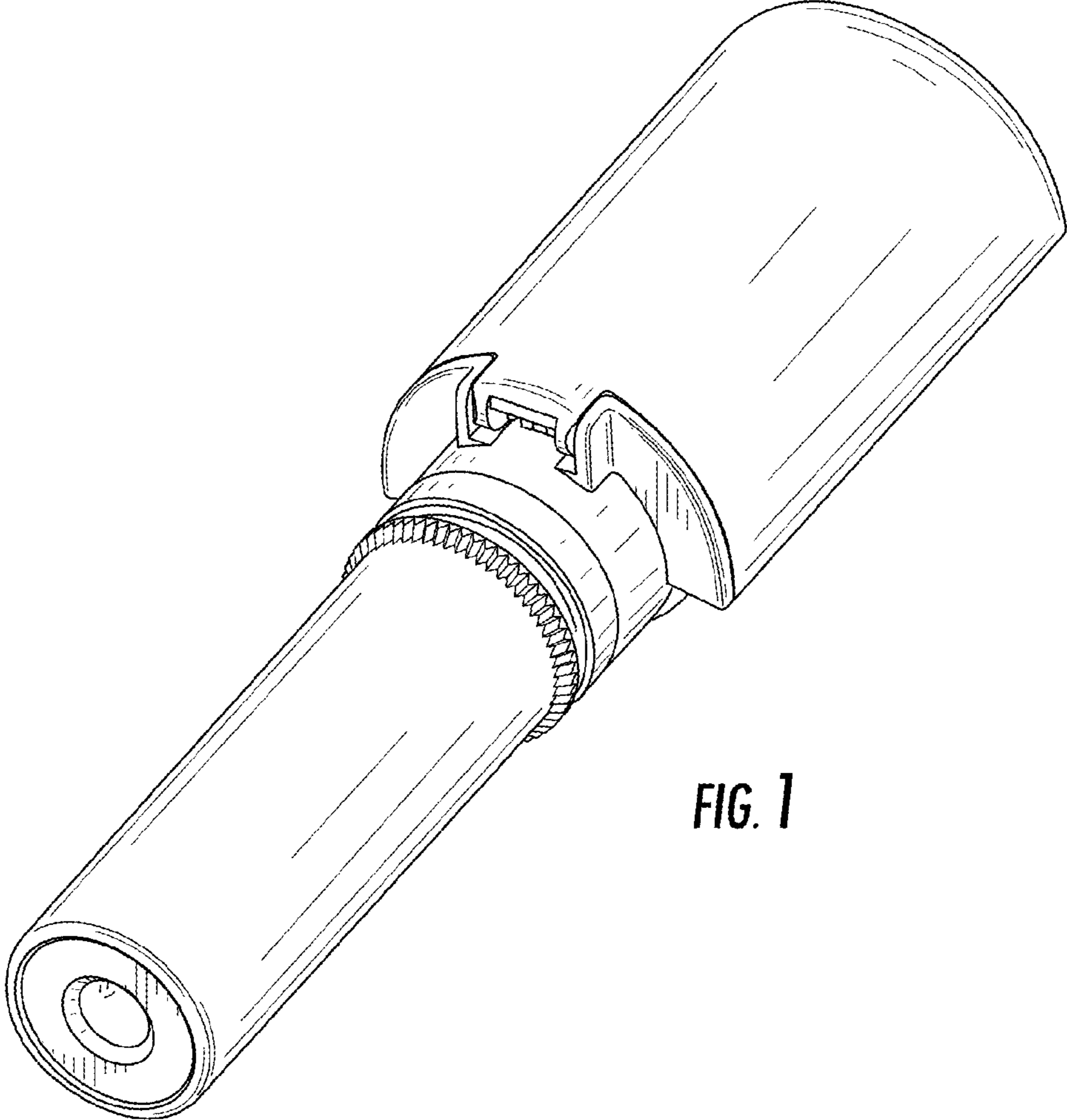


FIG. 1

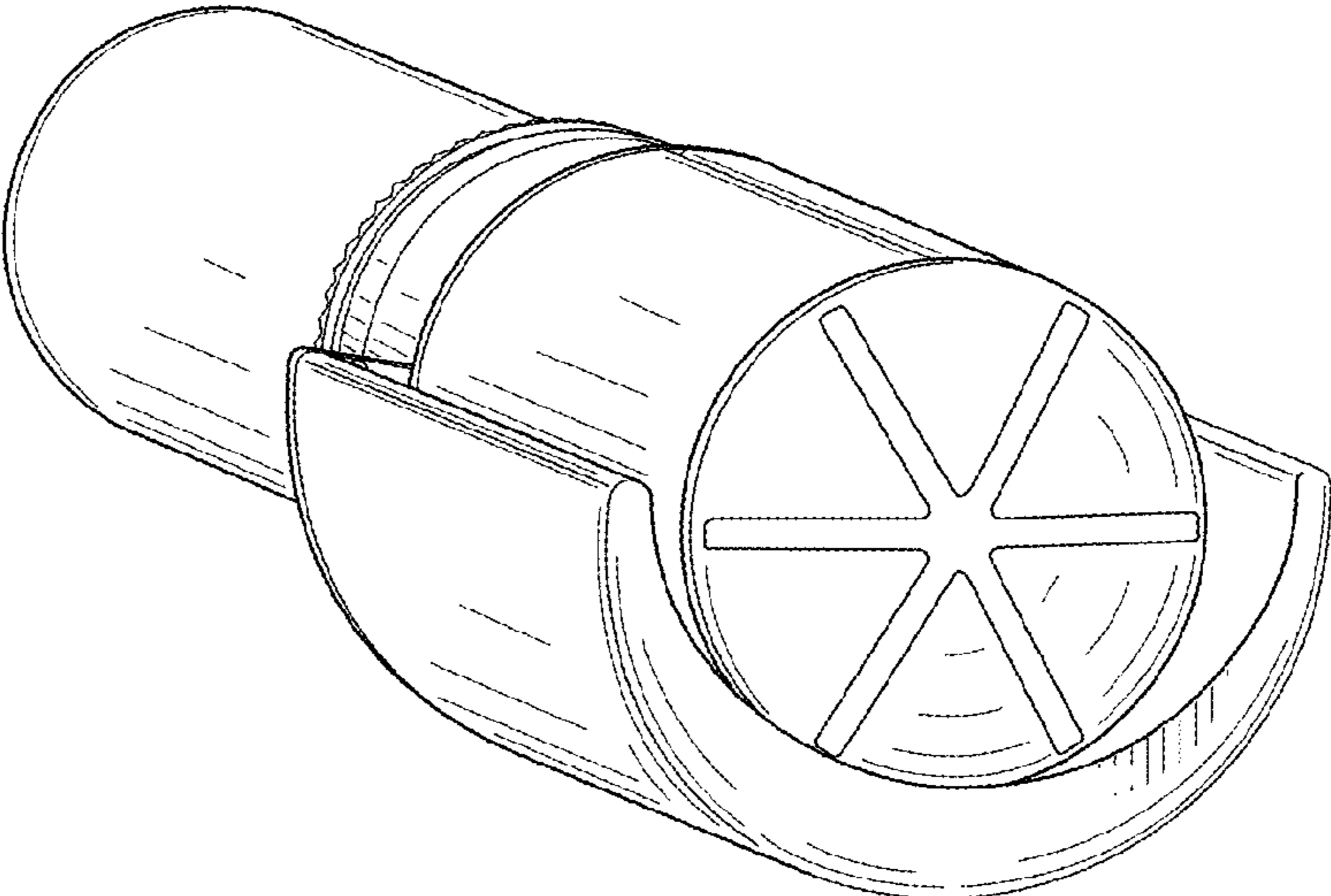


FIG. 2

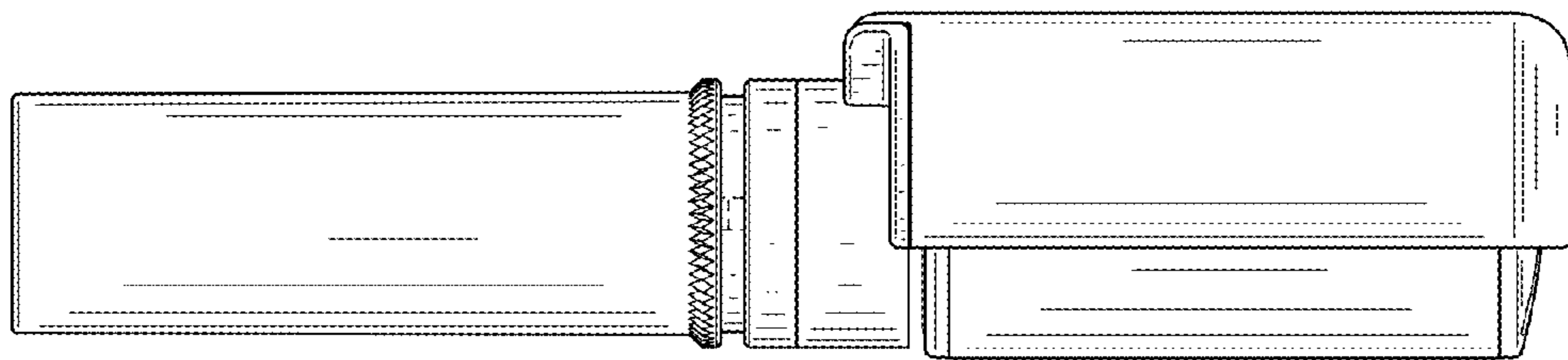


FIG. 3

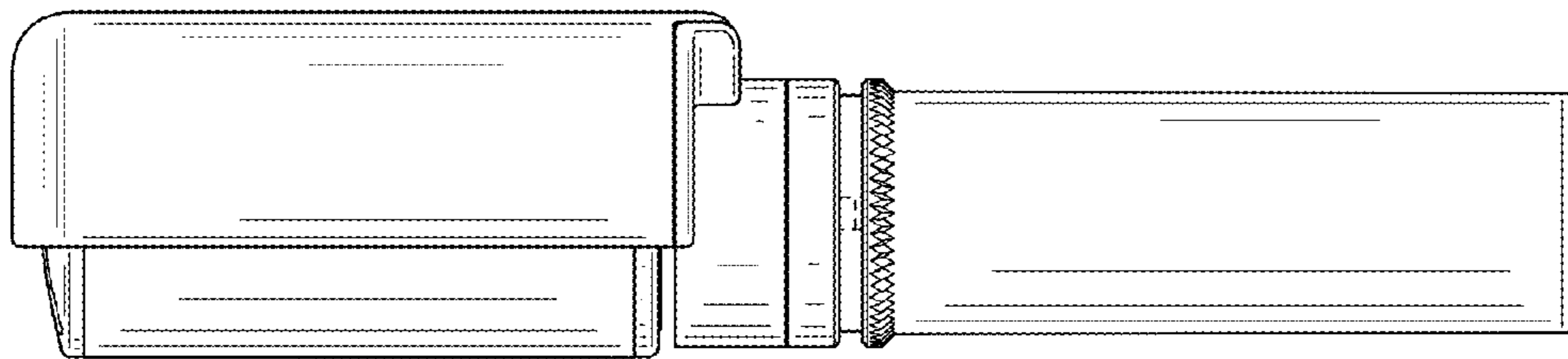


FIG. 4

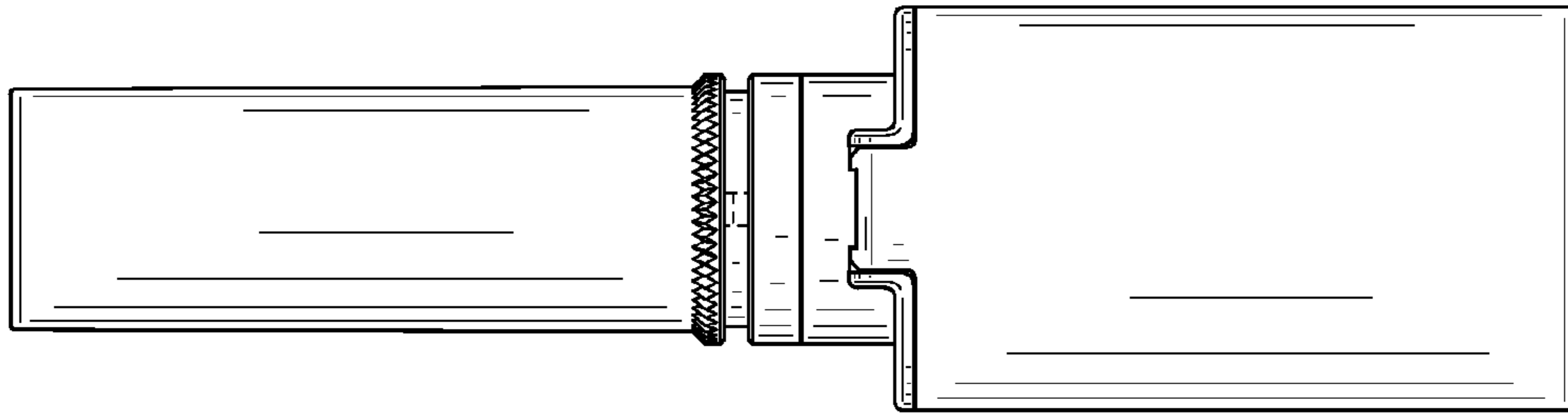


FIG. 5

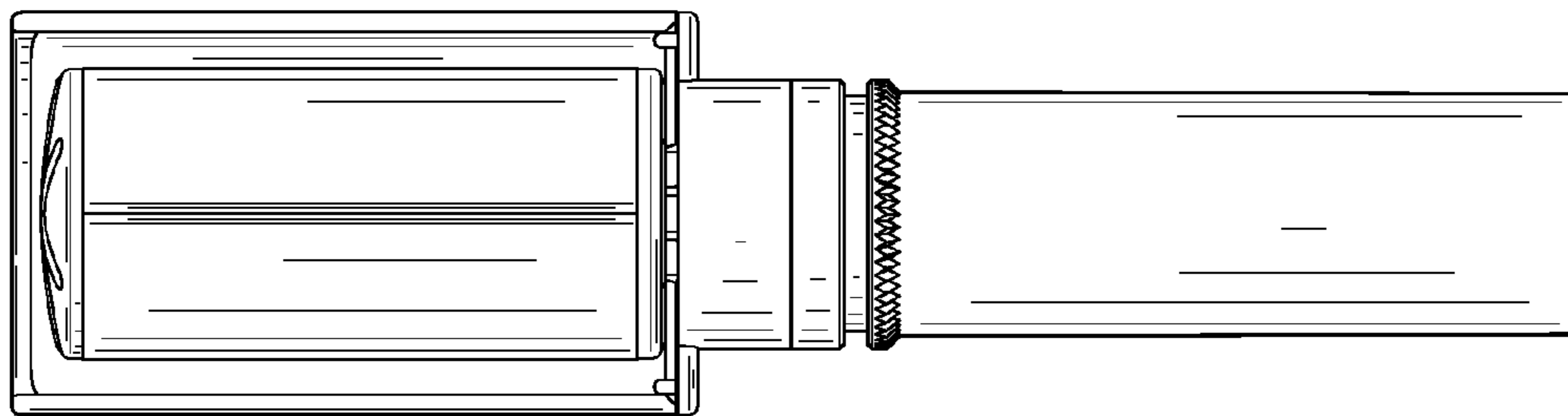


FIG. 6

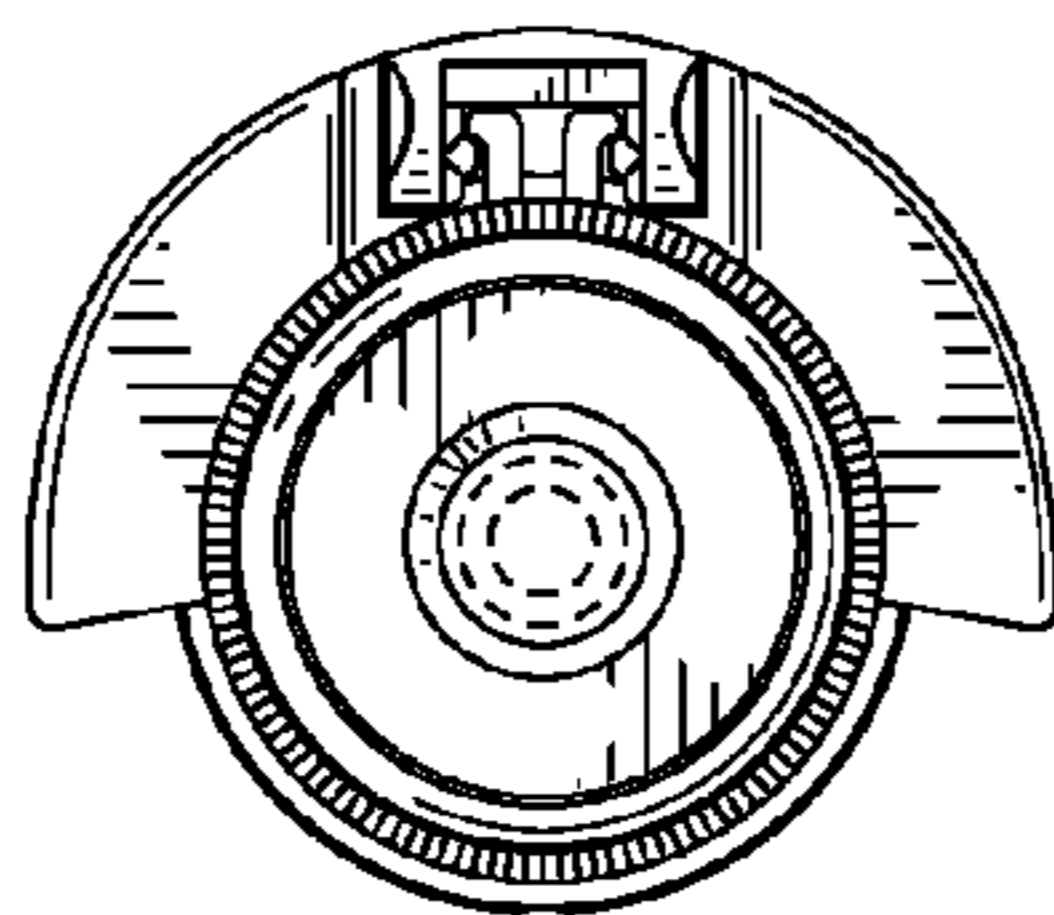


FIG. 7

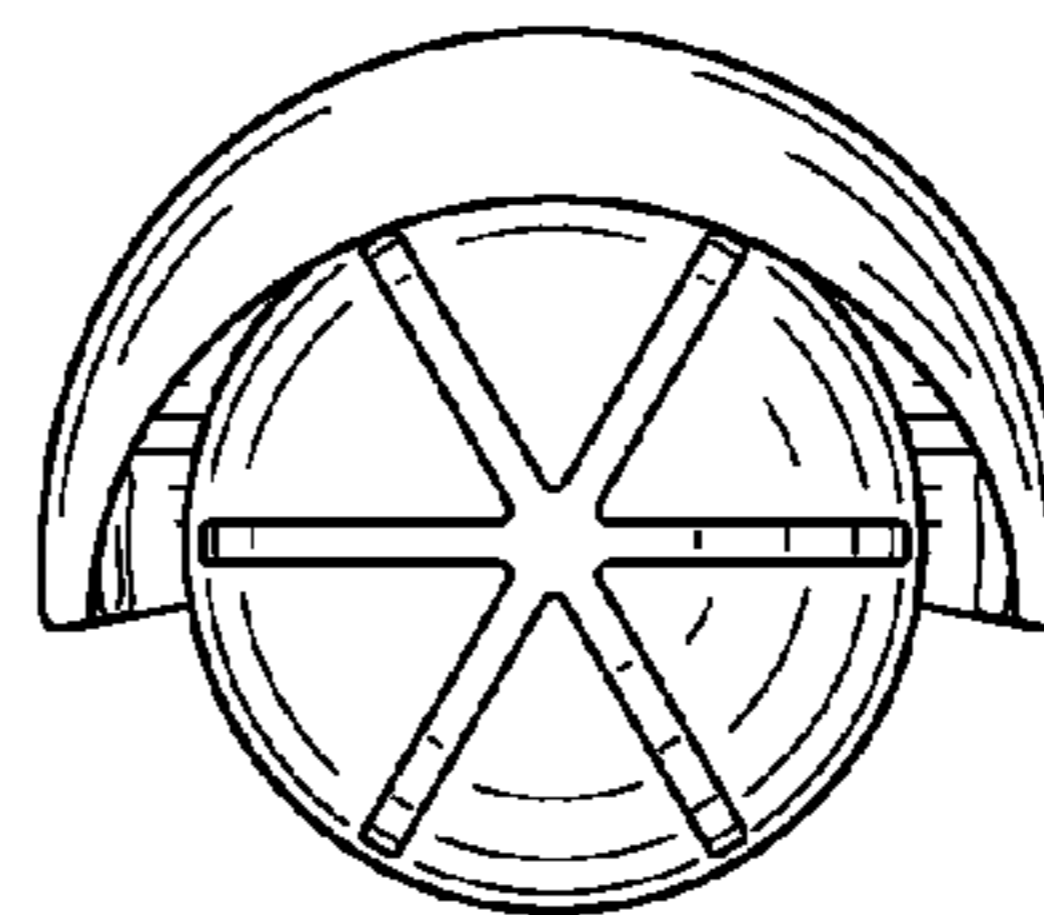


FIG. 8