

US00D715494S

(12) **United States Design Patent**
Kim

(10) **Patent No.:** **US D715,494 S**
(45) **Date of Patent:** **** Oct. 14, 2014**

- (54) **MANICURE DRYER**
- (71) Applicant: **Kiss Nails Products, Inc.**, Port Washington, NY (US)
- (72) Inventor: **Yong Han Kim**, Little Neck, NY (US)
- (73) Assignee: **Kiss Nail Products, Inc.**, Port Washington, NY (US)
- (**) Term: **14 Years**
- (21) Appl. No.: **29/458,574**
- (22) Filed: **Jun. 20, 2013**

- D643,576 S * 8/2011 Chan D28/58
- 8,450,705 B1 * 5/2013 Chen et al. 250/492.1
- D685,949 S * 7/2013 Valia et al. D28/58
- D690,467 S * 9/2013 Jing D28/58
- D692,617 S * 10/2013 Haile D28/58
- 2013/0313445 A1* 11/2013 Watson 250/492.1

* cited by examiner

Primary Examiner — Jennifer Rivard
(74) *Attorney, Agent, or Firm* — Proskauer Rose LLP

(57) **CLAIM**
The ornamental design for a manicure dryer, as shown and described.

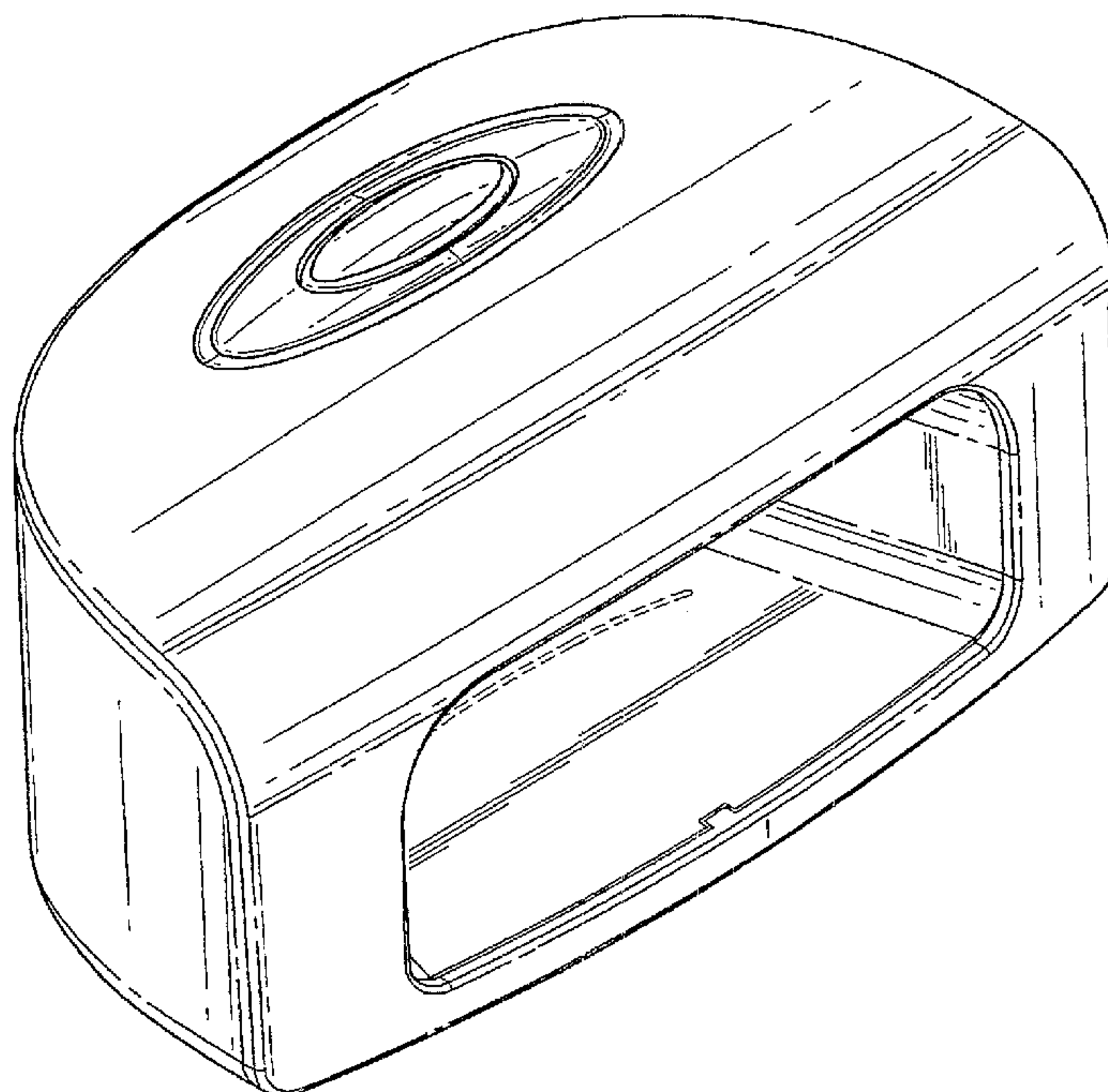
- (30) **Foreign Application Priority Data**
Jun. 7, 2013 (KR) 30-2013-0029716
- (51) **LOC (10) Cl.** **28-03**
- (52) **U.S. Cl.**
USPC **D28/58; D28/54.1**
- (58) **Field of Classification Search**
USPC D28/54.1, 56-58; 250/504 R-504 H,
250/492.1, 202; 132/73; D24/209-210;
34/275, 202, 90
See application file for complete search history.

DESCRIPTION

FIG. 1 is a top left perspective view of a manicure dryer showing my new design;
FIG. 2 is a top view thereof;
FIG. 3 is a top right perspective view thereof;
FIG. 4 is a left side view thereof;
FIG. 5 is a front view thereof;
FIG. 6 is a right side view thereof;
FIG. 7 is a back view thereof;
FIG. 8 is a bottom left perspective view thereof;
FIG. 9 is a bottom view thereof; and,
FIG. 10 is a bottom right perspective view thereof.
The broken lines shown in the drawings illustrate unclaimed portions of the manicure dryer and form no part of the claimed design.

- (56) **References Cited**
U.S. PATENT DOCUMENTS
6,518,583 B1 * 2/2003 Hennig 250/504 R
D552,747 S * 10/2007 Chang D24/209

1 Claim, 10 Drawing Sheets



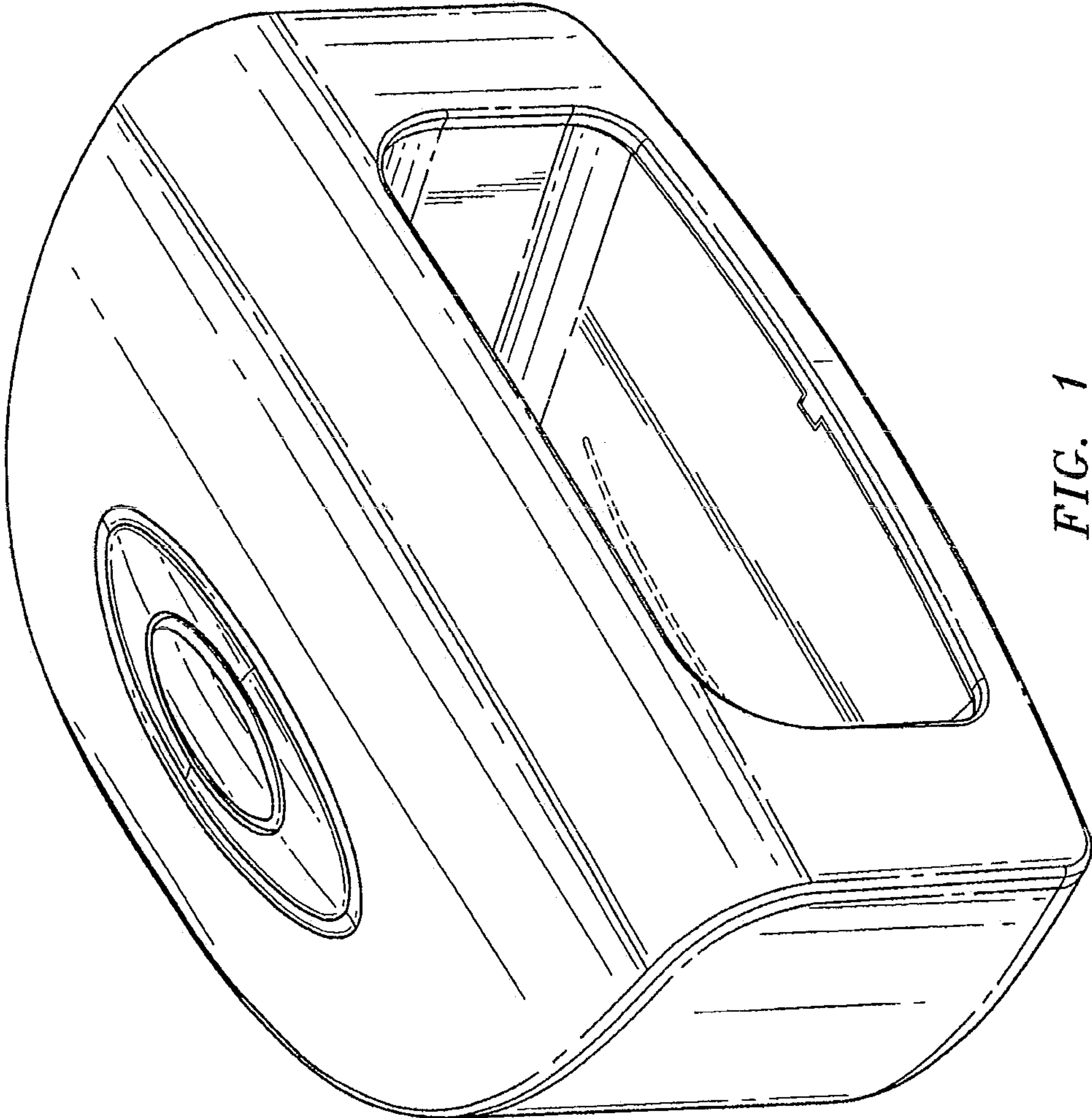


FIG. 1

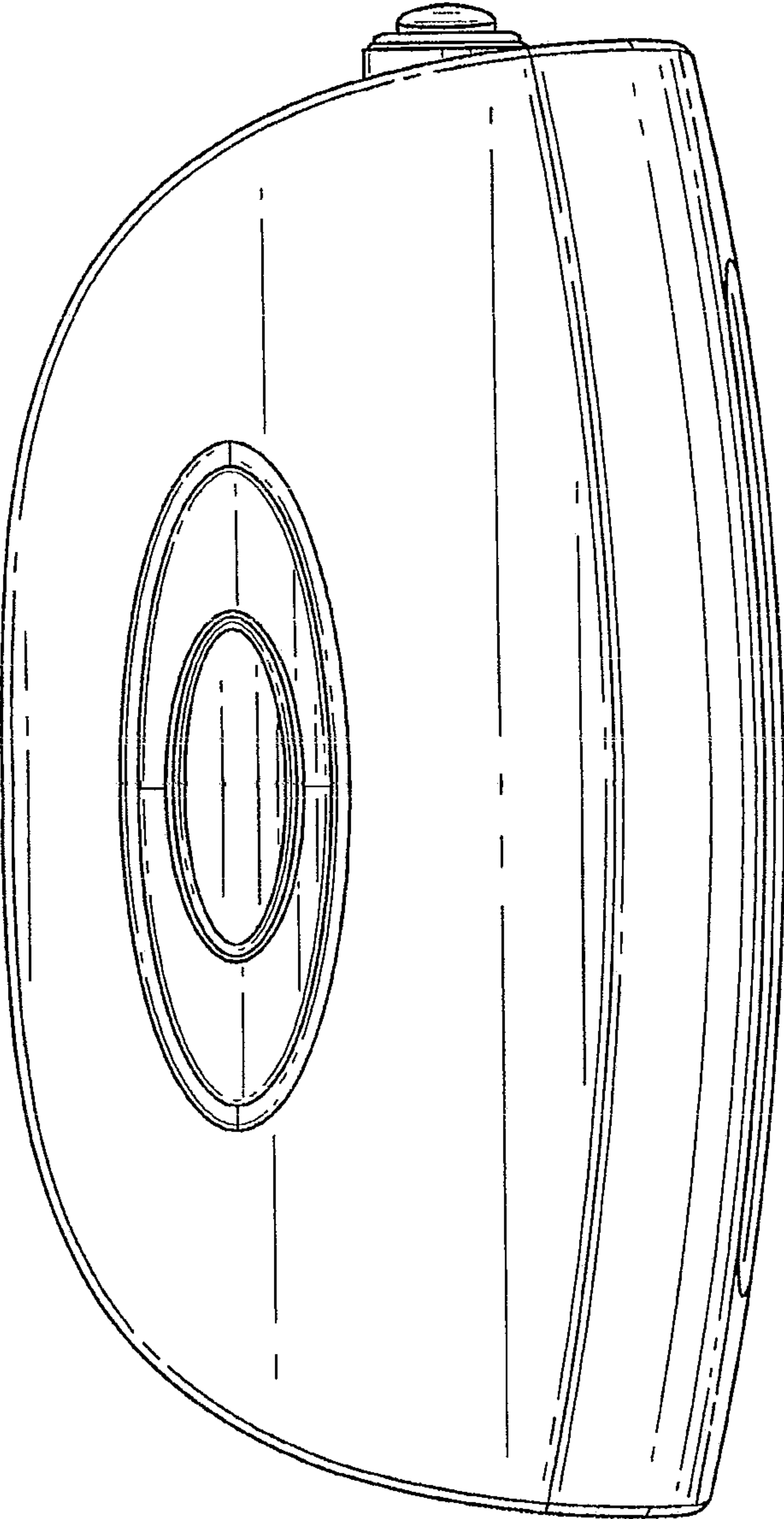


FIG. 2

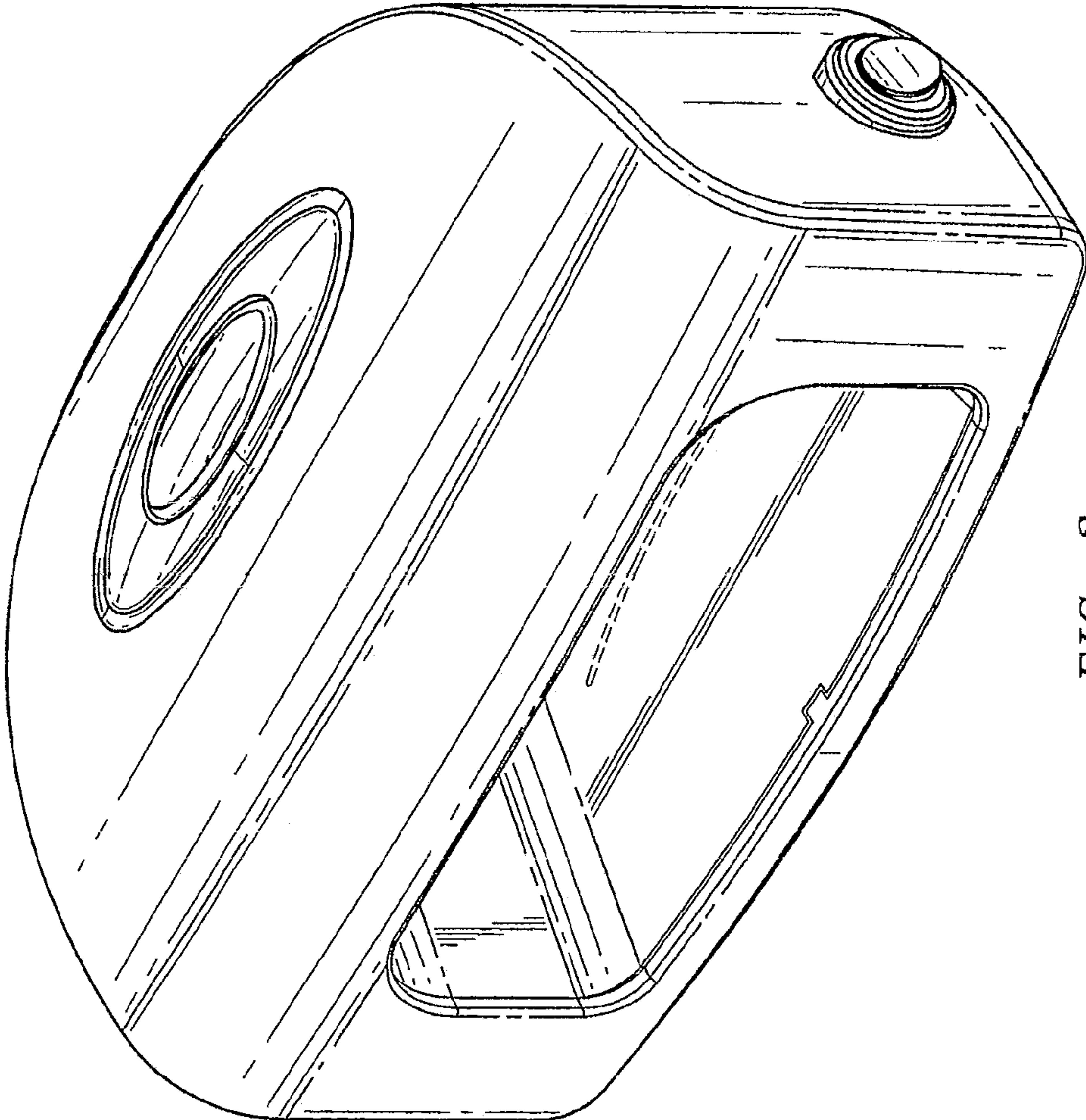


FIG. 3

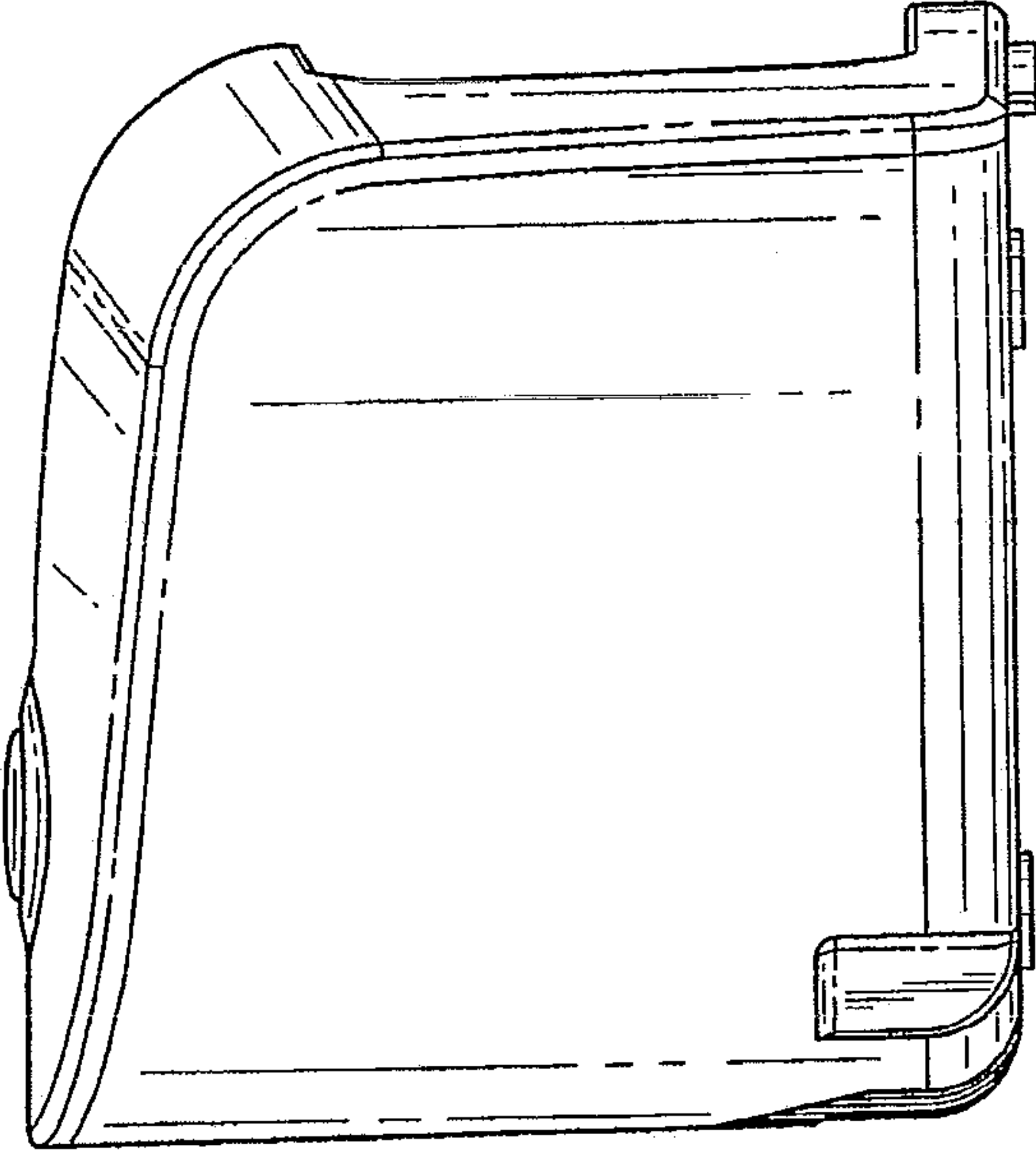


FIG. 4

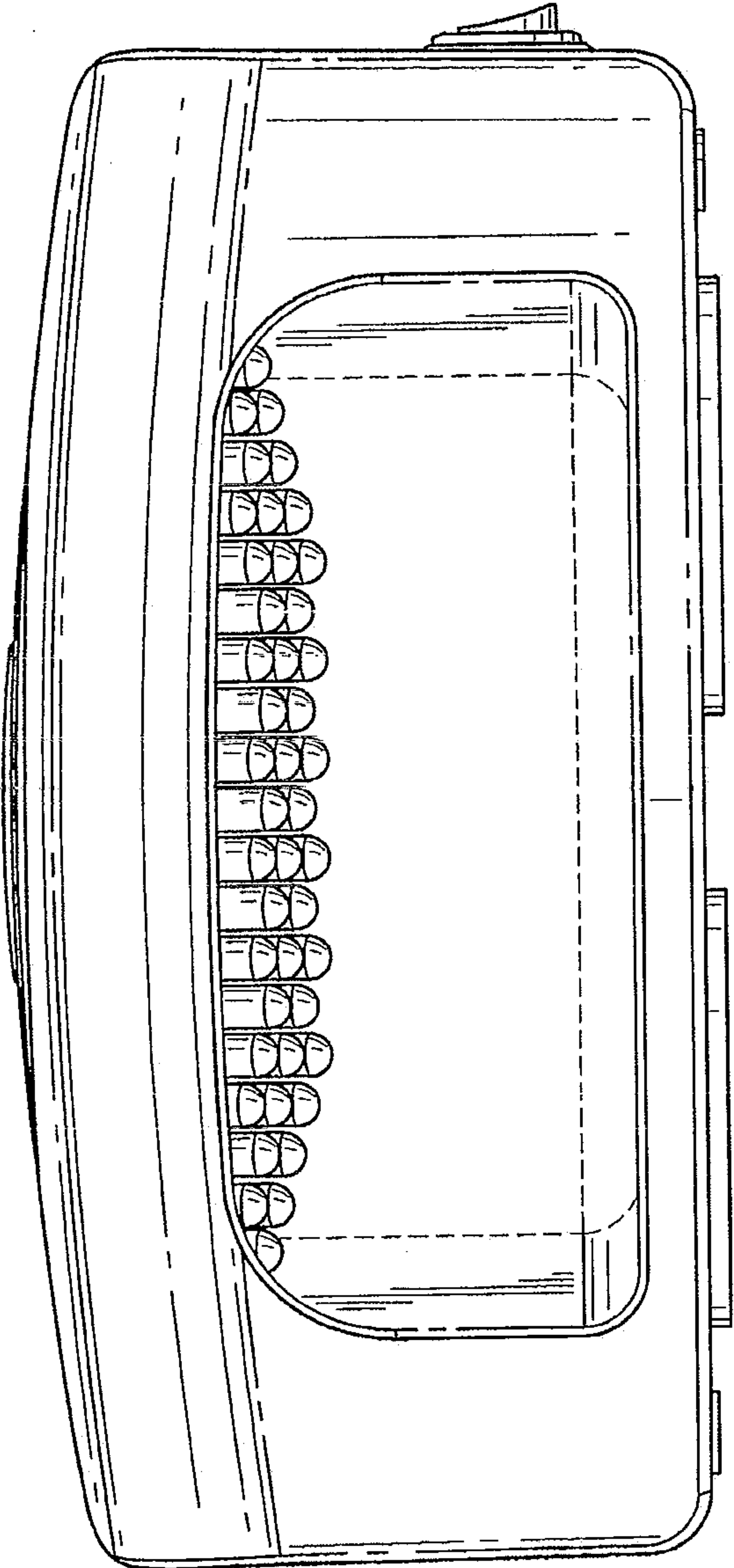


FIG. 5

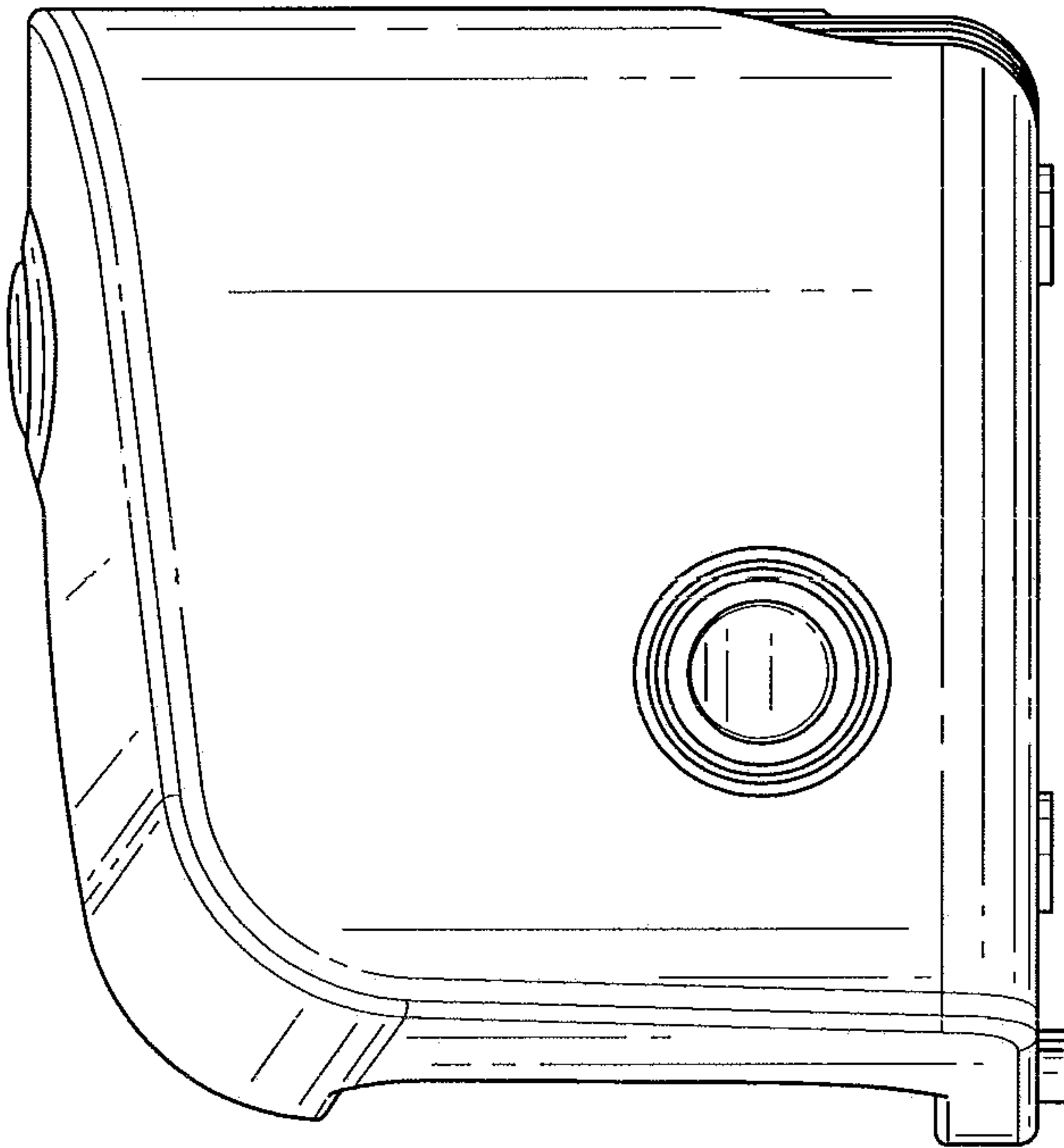


FIG. 6

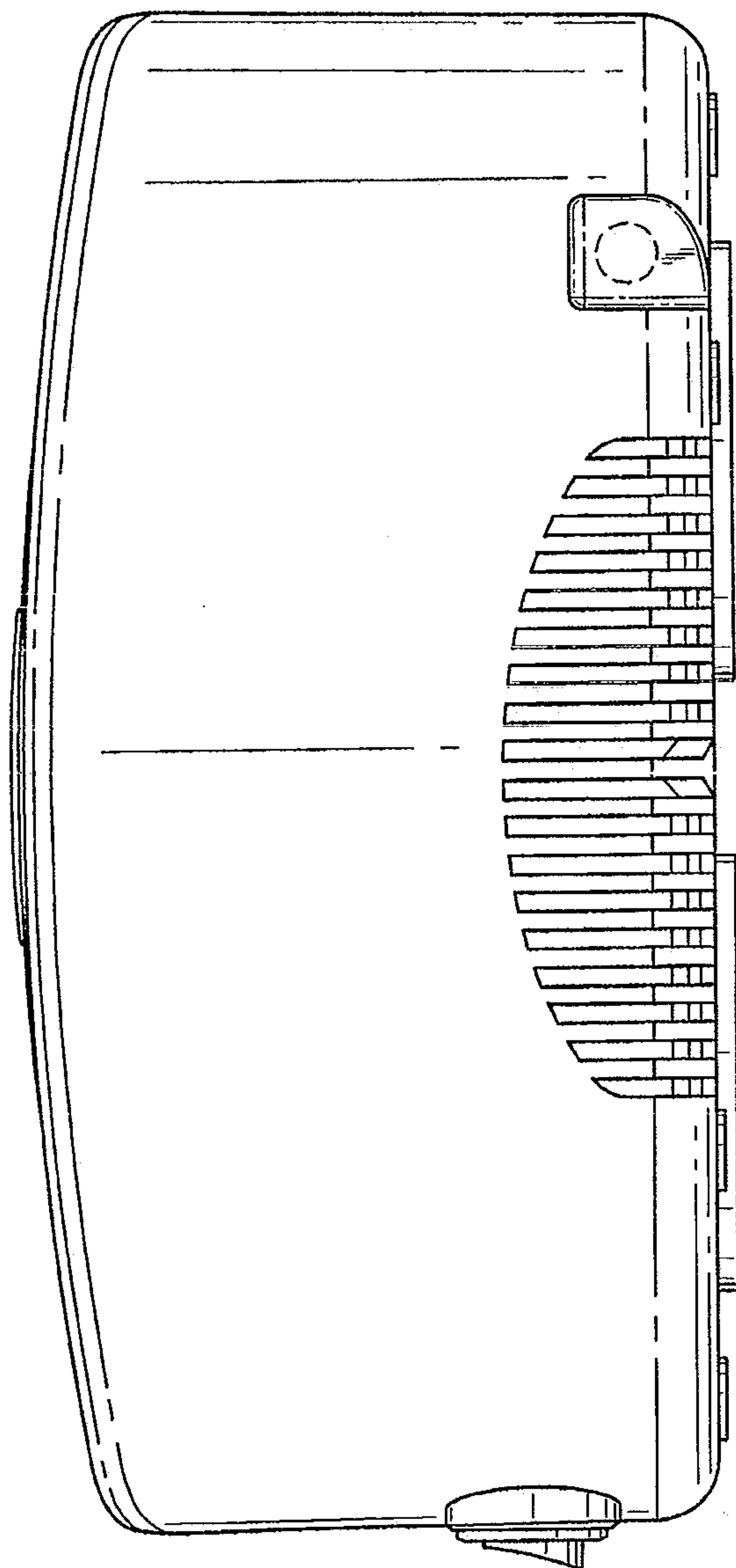


FIG. 7

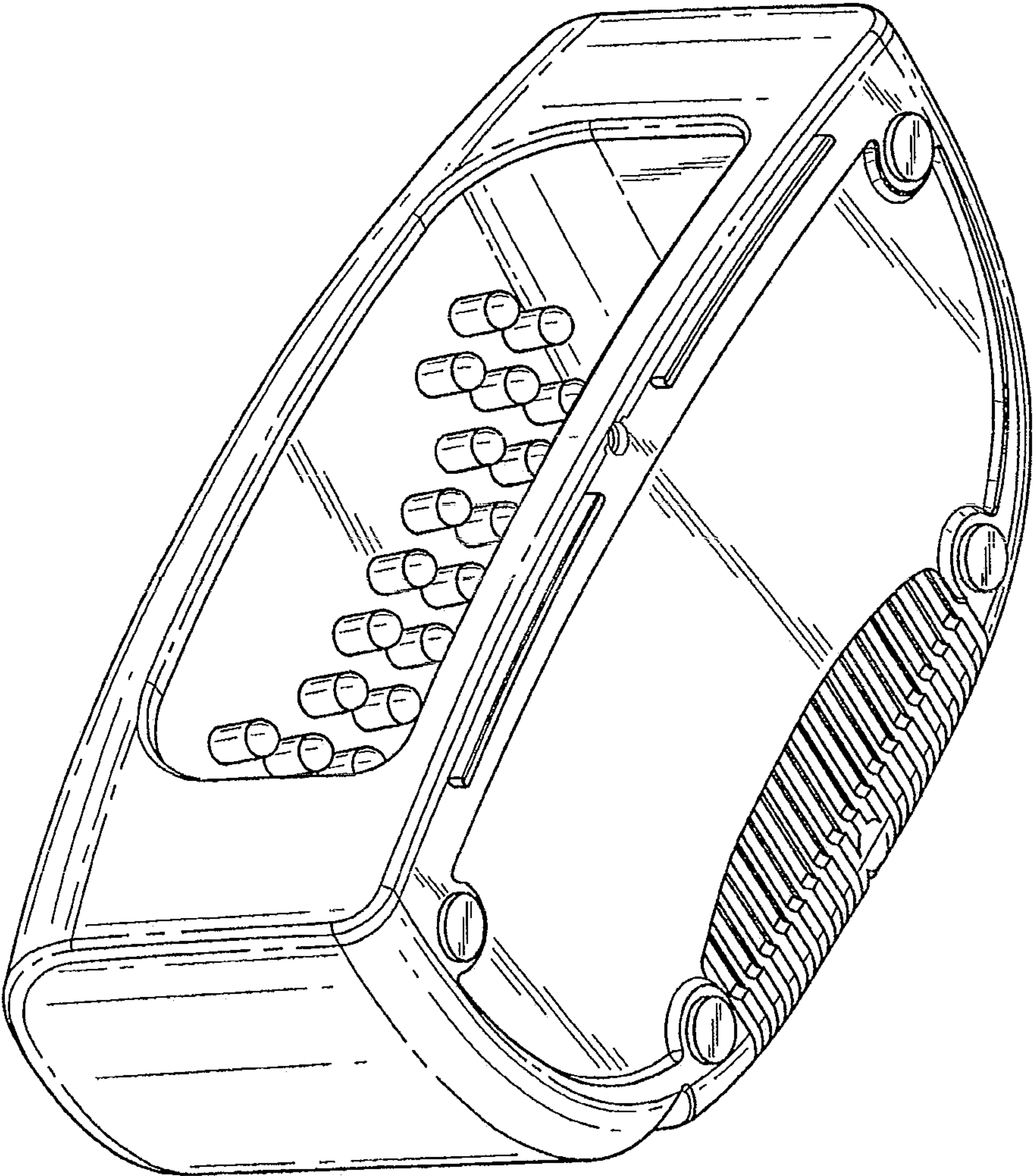


FIG. 8

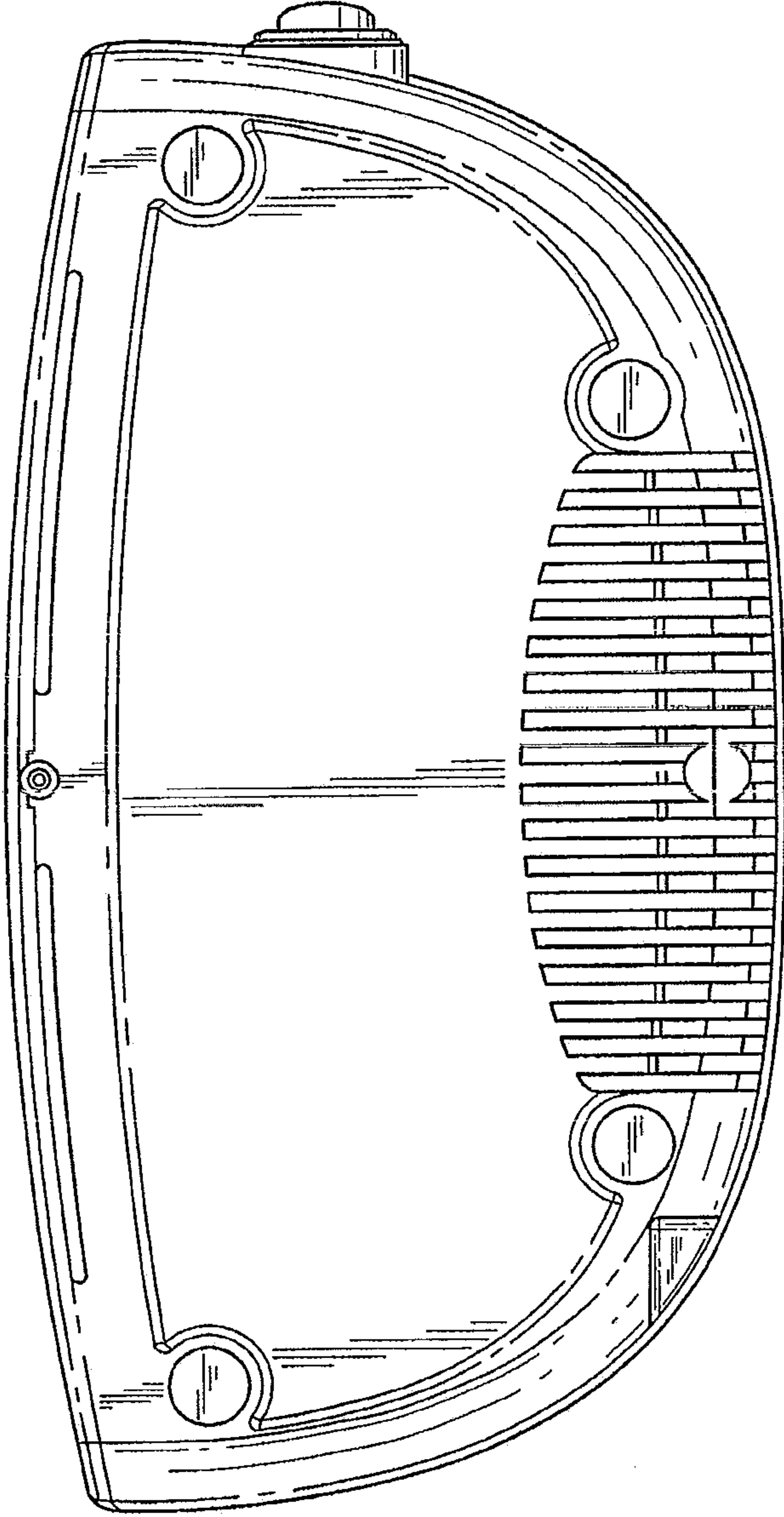


FIG. 9

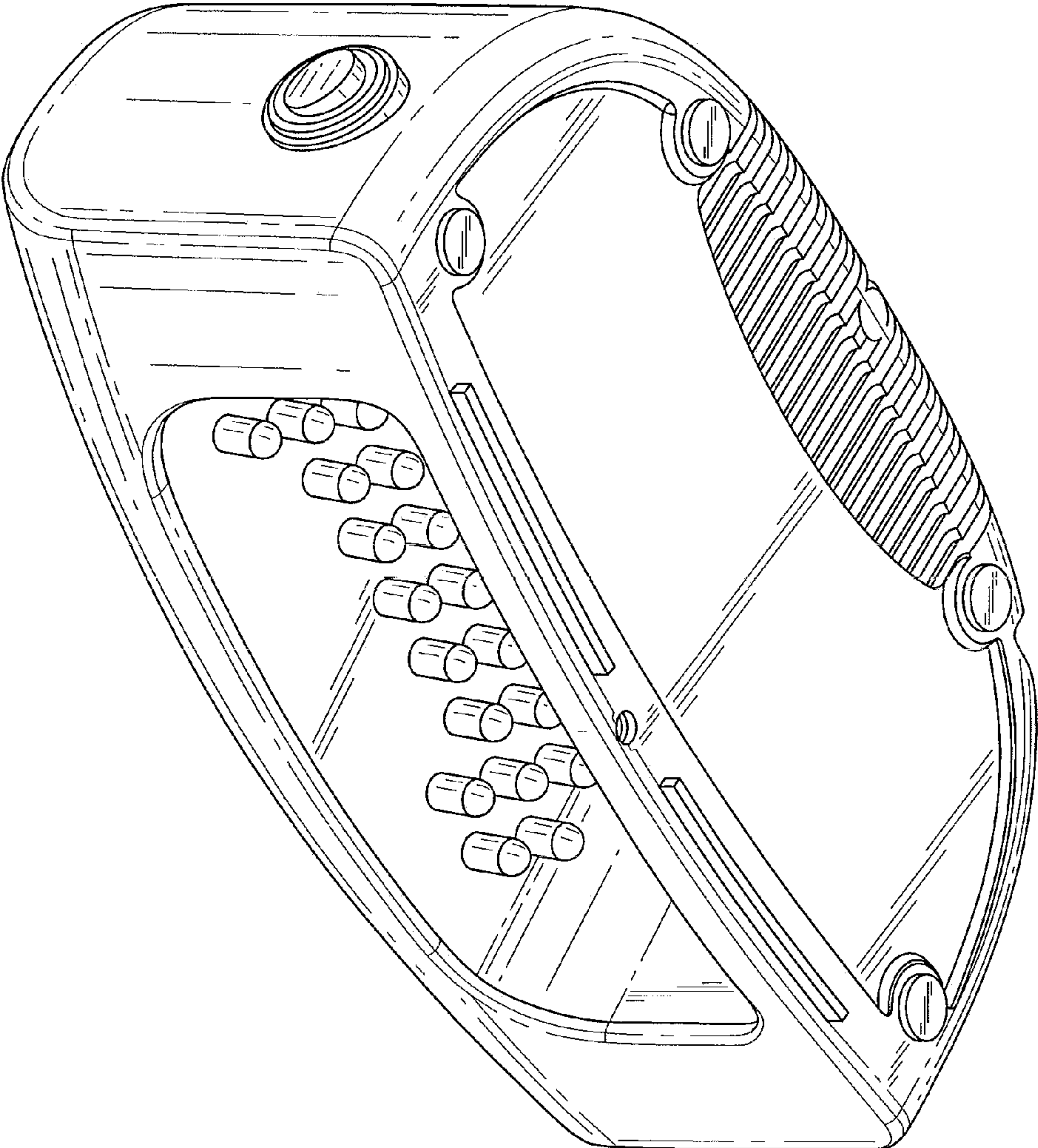


FIG. 10