

US00D715492S

(12) **United States Design Patent**  
**Sau Clerch**

(10) **Patent No.:** **US D715,492 S**

(45) **Date of Patent:** **\*\* Oct. 14, 2014**

(54) **HAND DRYER**

(71) Applicant: **Mediclinics, S.A.**, Barcelona (ES)

(72) Inventor: **Luis Sau Clerch**, Barcelona (ES)

(73) Assignee: **Mediclinics, S.A.**, Barcelona (ES)

(\*\*) Term: **14 Years**

(21) Appl. No.: **29/457,047**

(22) Filed: **Jun. 6, 2013**

(51) **LOC (10) Cl.** ..... **28-03**

(52) **U.S. Cl.**

CPC ..... **F26B 25/06** (2013.01)

USPC ..... **D28/54.1**

(58) **Field of Classification Search**

CPC ..... F26B 25/06

USPC ..... D28/12, 54.1, 58; 34/266, 201, 202;  
392/381, 380; D23/357, 361, 385

See application file for complete search history.

(56) **References Cited**

**U.S. PATENT DOCUMENTS**

D533,305 S \* 12/2006 Takahashi et al. .... D28/54.1

D542,474 S \* 5/2007 Churchill et al. .... D28/54.1

D548,399 S \* 8/2007 Nikaido et al. .... D28/54.1

D664,299 S \* 7/2012 Ishida ..... D28/54.1

D676,603 S \* 2/2013 Ishikawa ..... D28/54.1

D683,075 S \* 5/2013 Ishida et al. .... D28/54.1

\* cited by examiner

*Primary Examiner* — Zenia Bennett

(74) *Attorney, Agent, or Firm* — Sturm & Fix LLP

(57) **CLAIM**

The ornamental design for a hand dryer, as shown and described.

**DESCRIPTION**

FIG. 1 is a front view of the hand dryer showing my new design;

FIG. 2 is a right side view of the hand dryer;

FIG. 3 is a right side, perspective view of the hand dryer;

FIG. 4 is a right side, rear perspective view of the hand dryer;

FIG. 5 is a left side view of the hand dryer;

FIG. 6 is a left side, front perspective view of the hand dryer;

FIG. 7 is a left side, bottom perspective view of the hand dryer;

FIG. 8 is a rear view of the hand dryer;

FIG. 9 is a top view of the hand dryer; and,

FIG. 10 is a bottom view of the hand dryer.

**1 Claim, 10 Drawing Sheets**

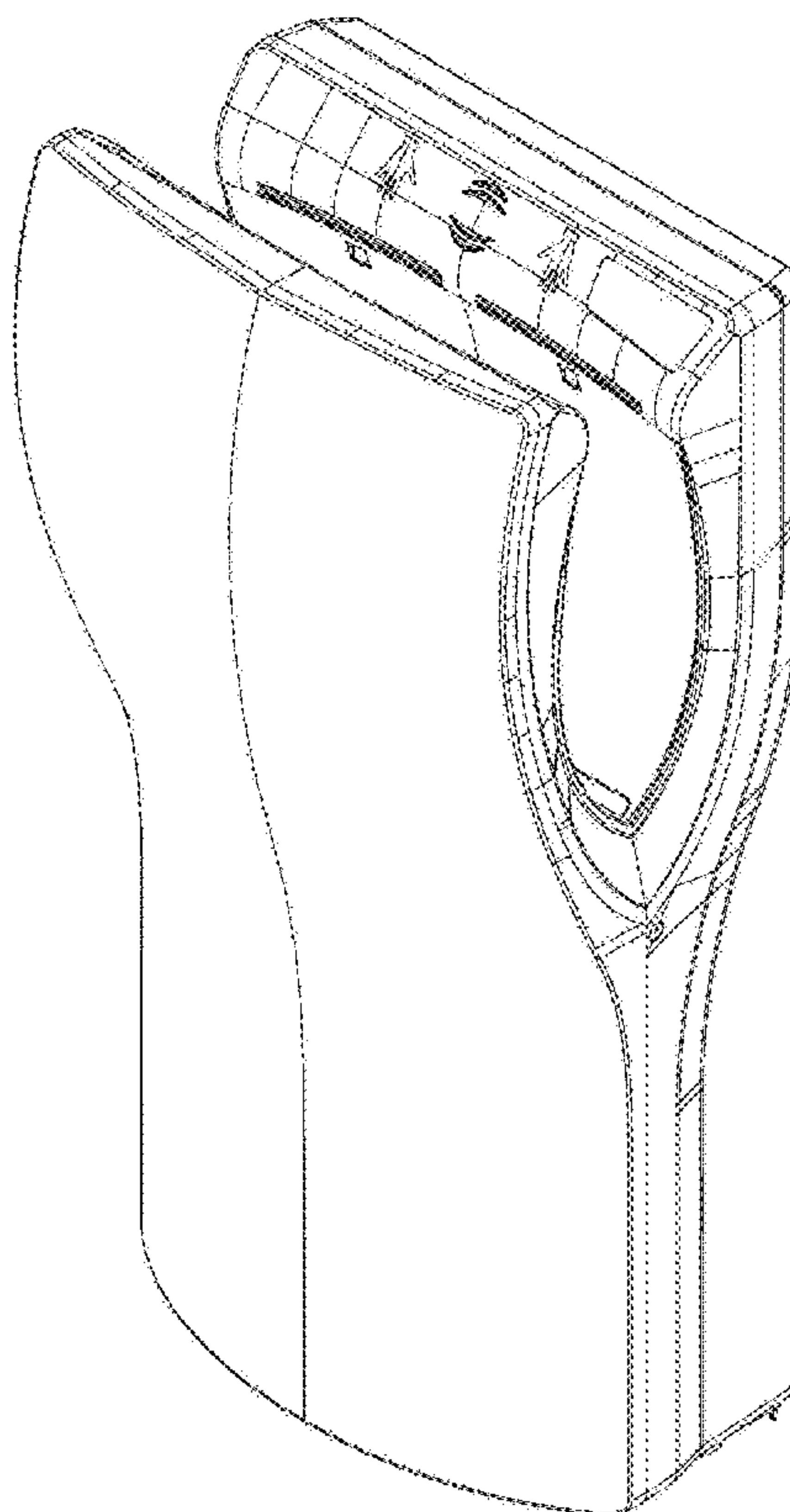
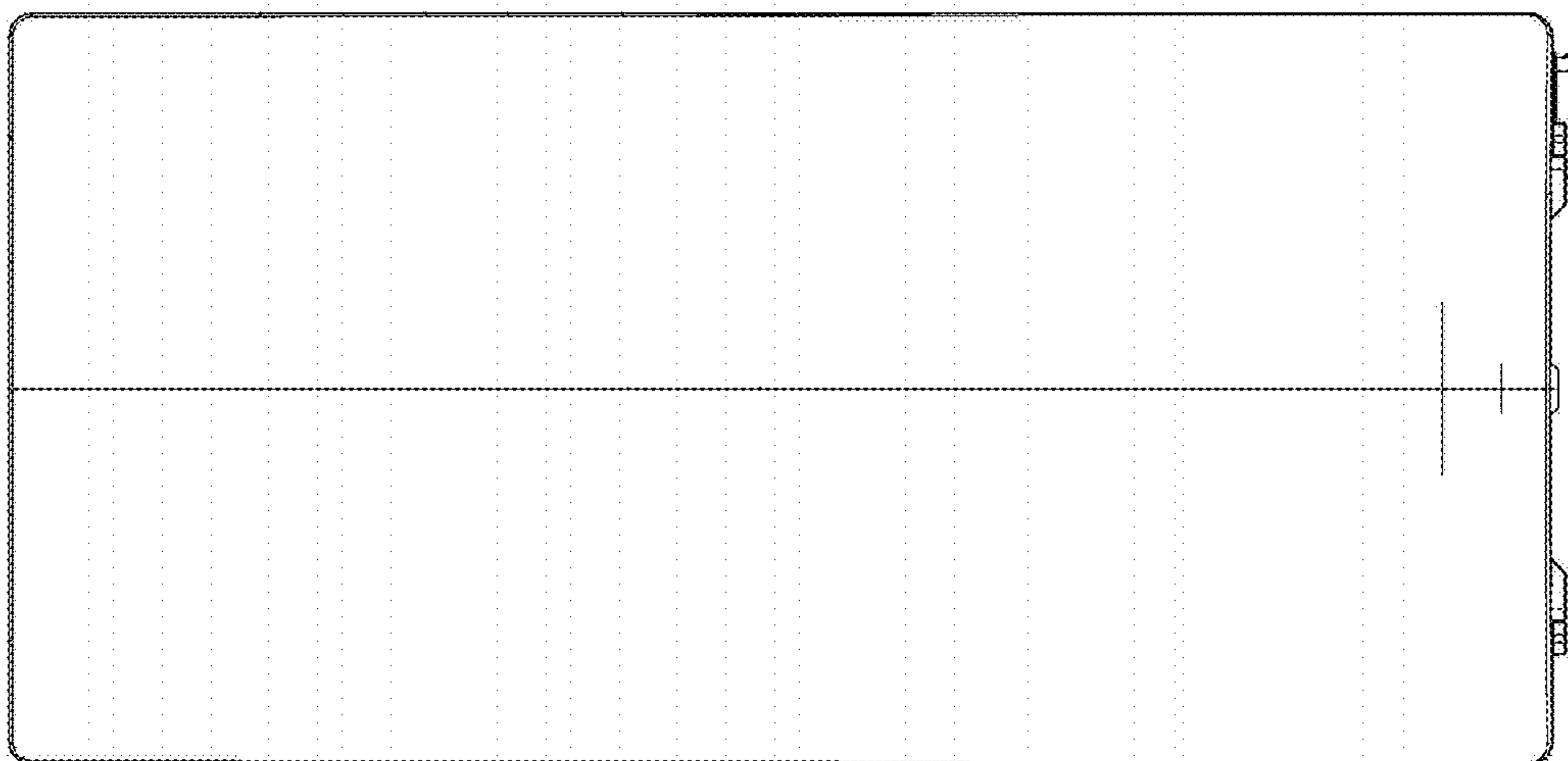


FIG. 1



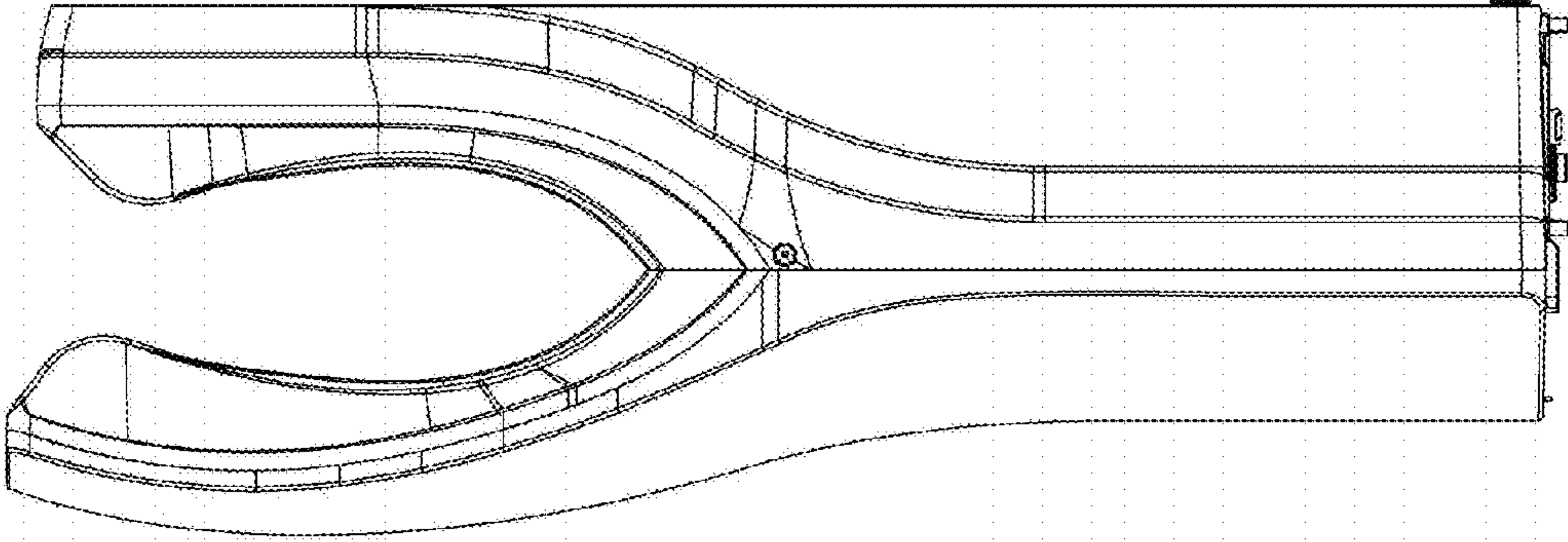


FIG. 2

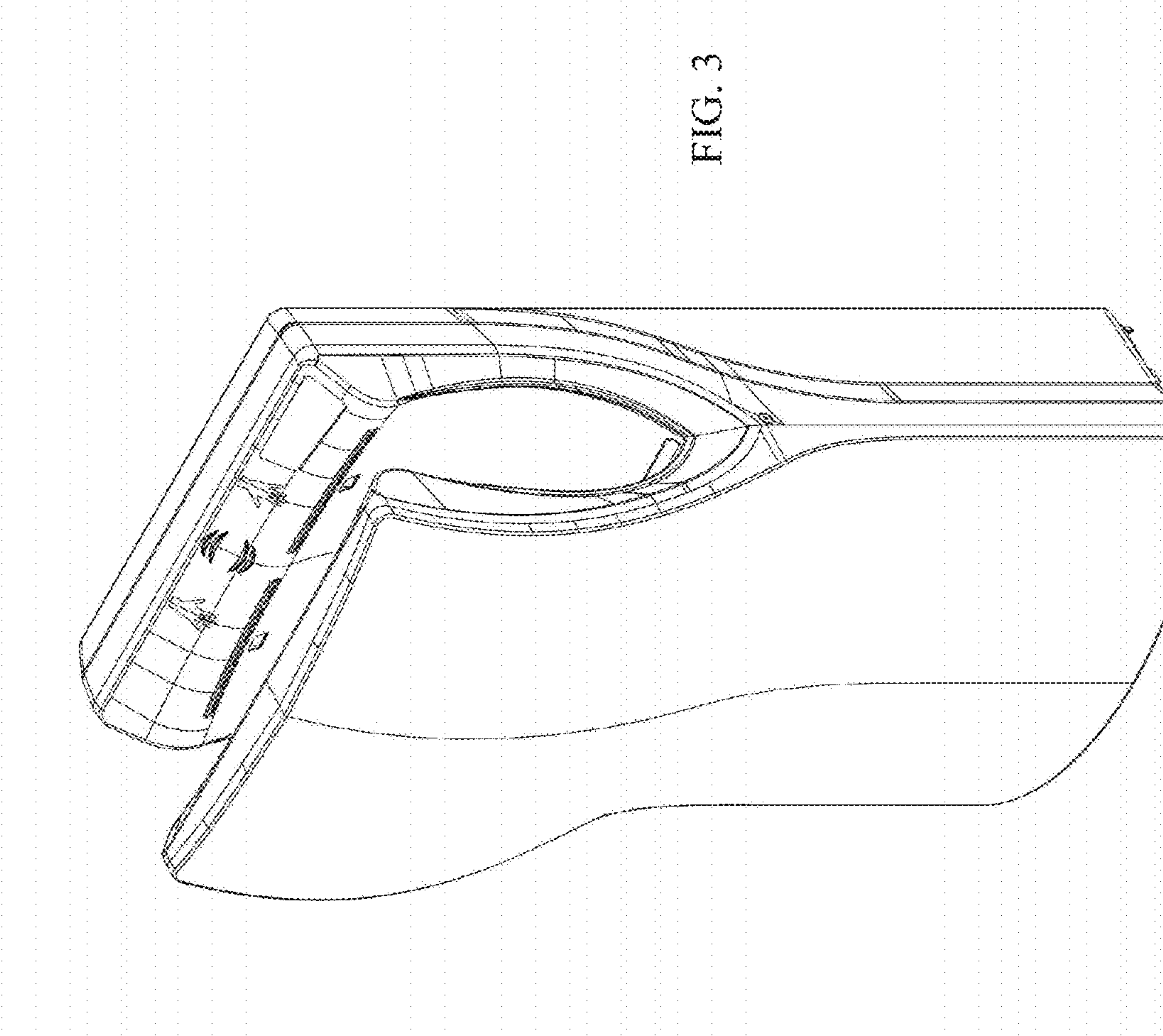


FIG. 3

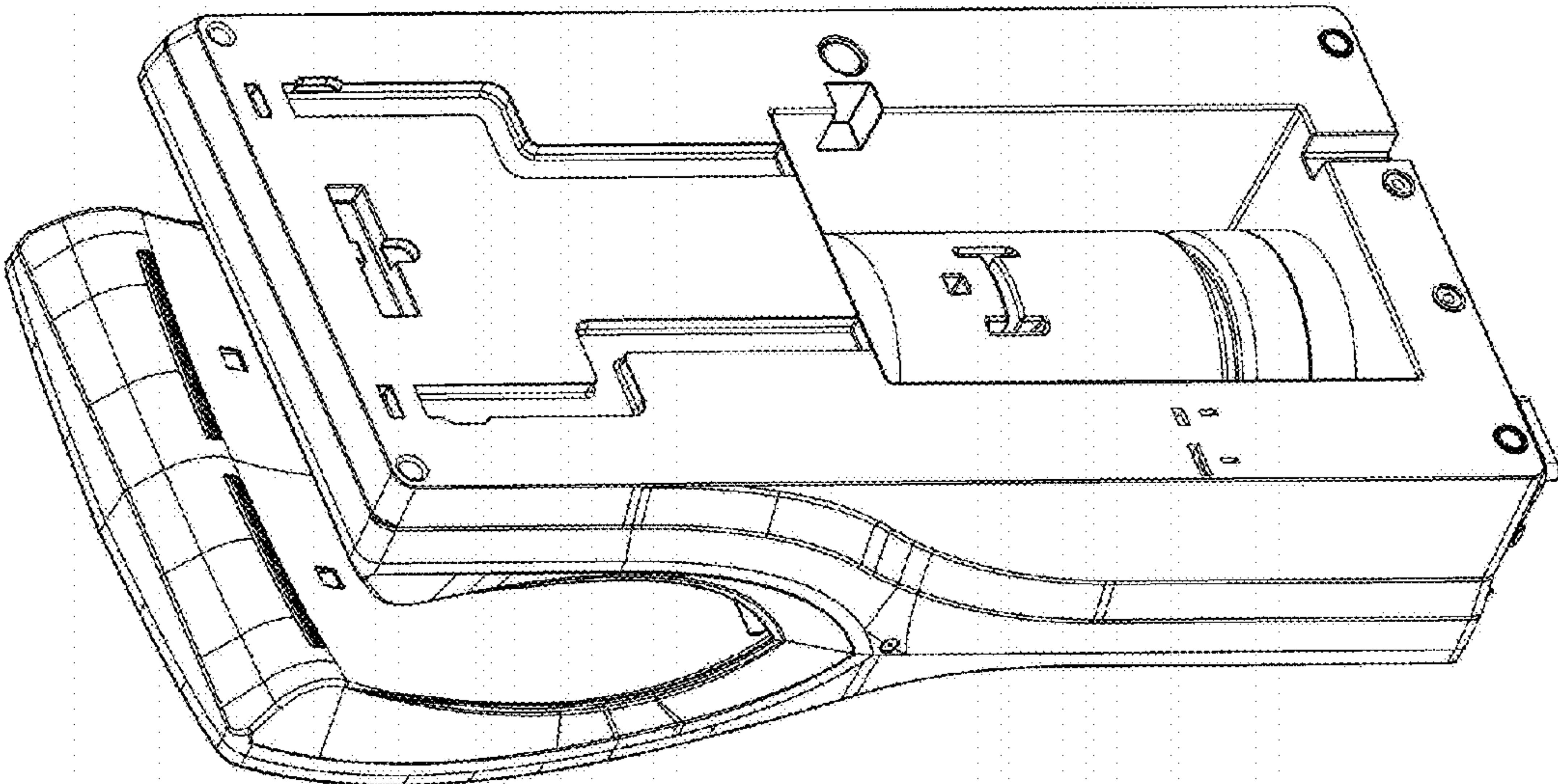
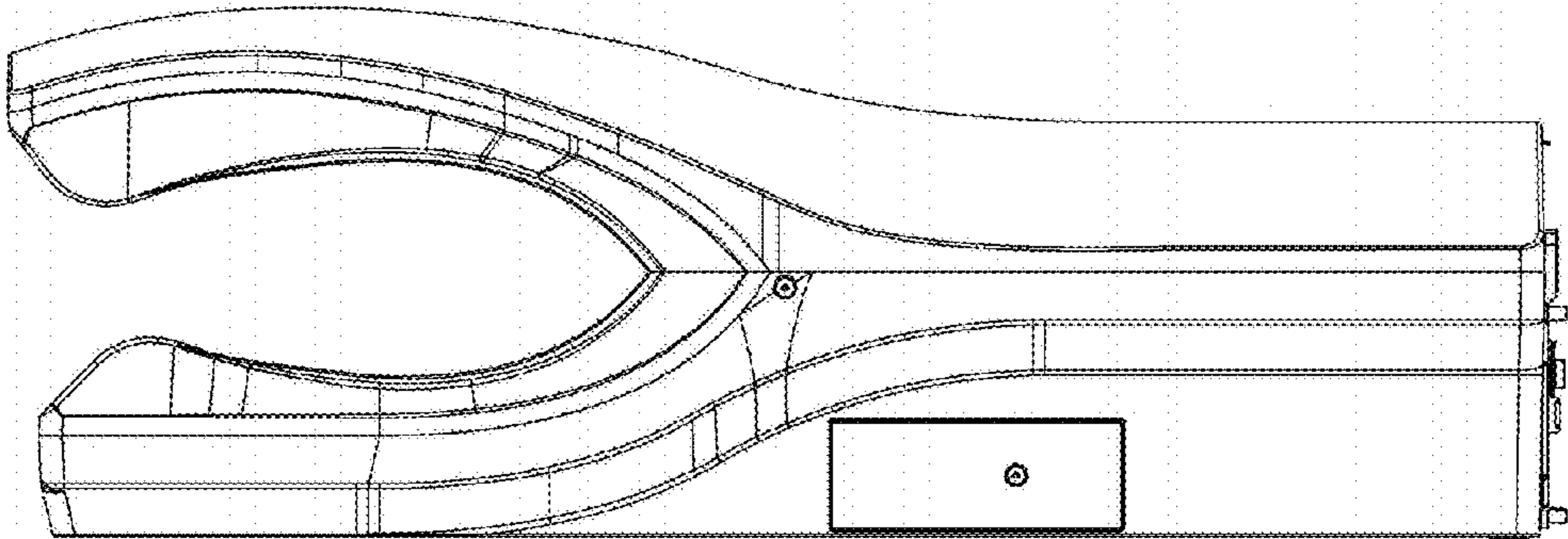


FIG. 4



FIG. 5



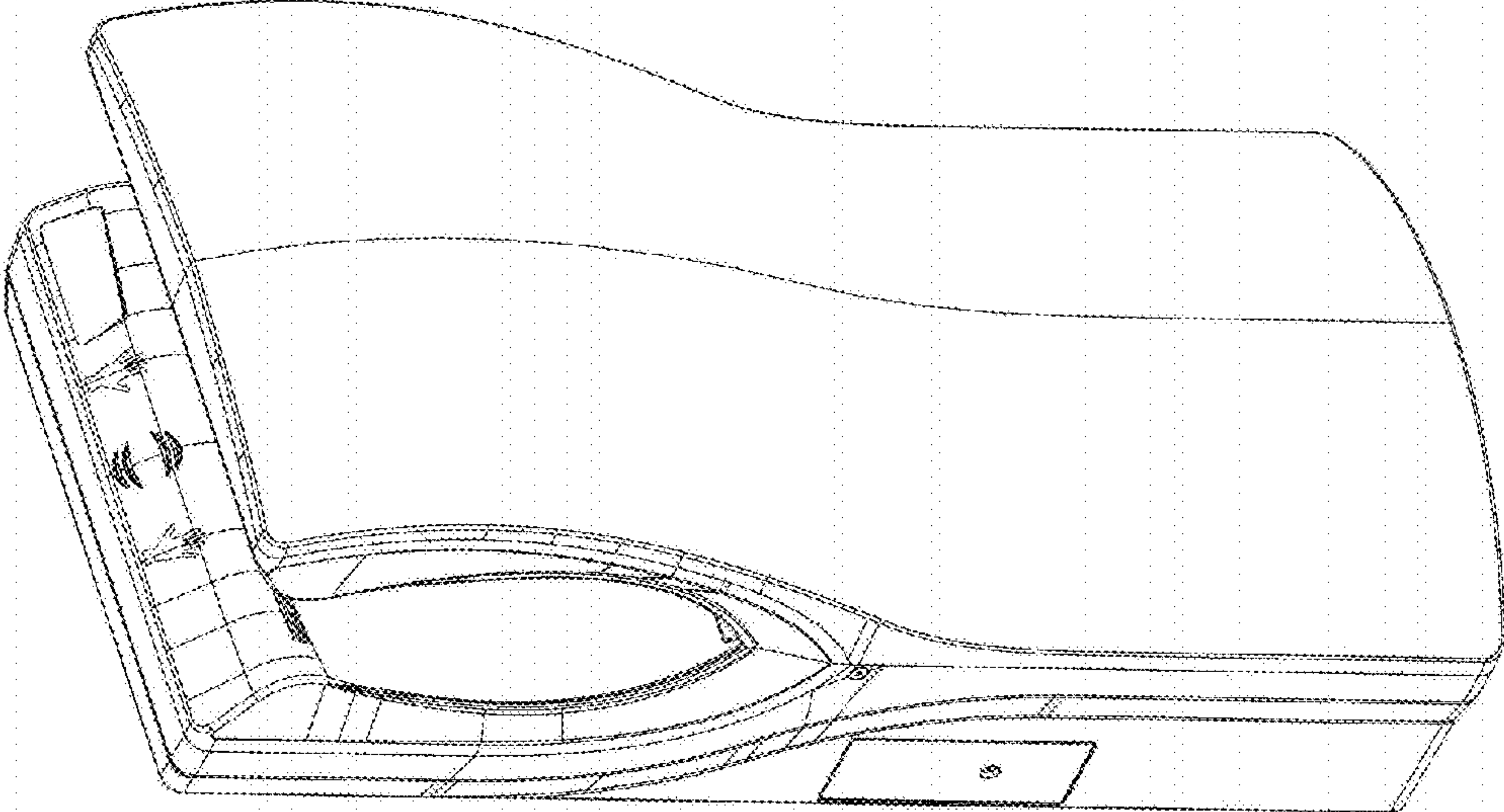
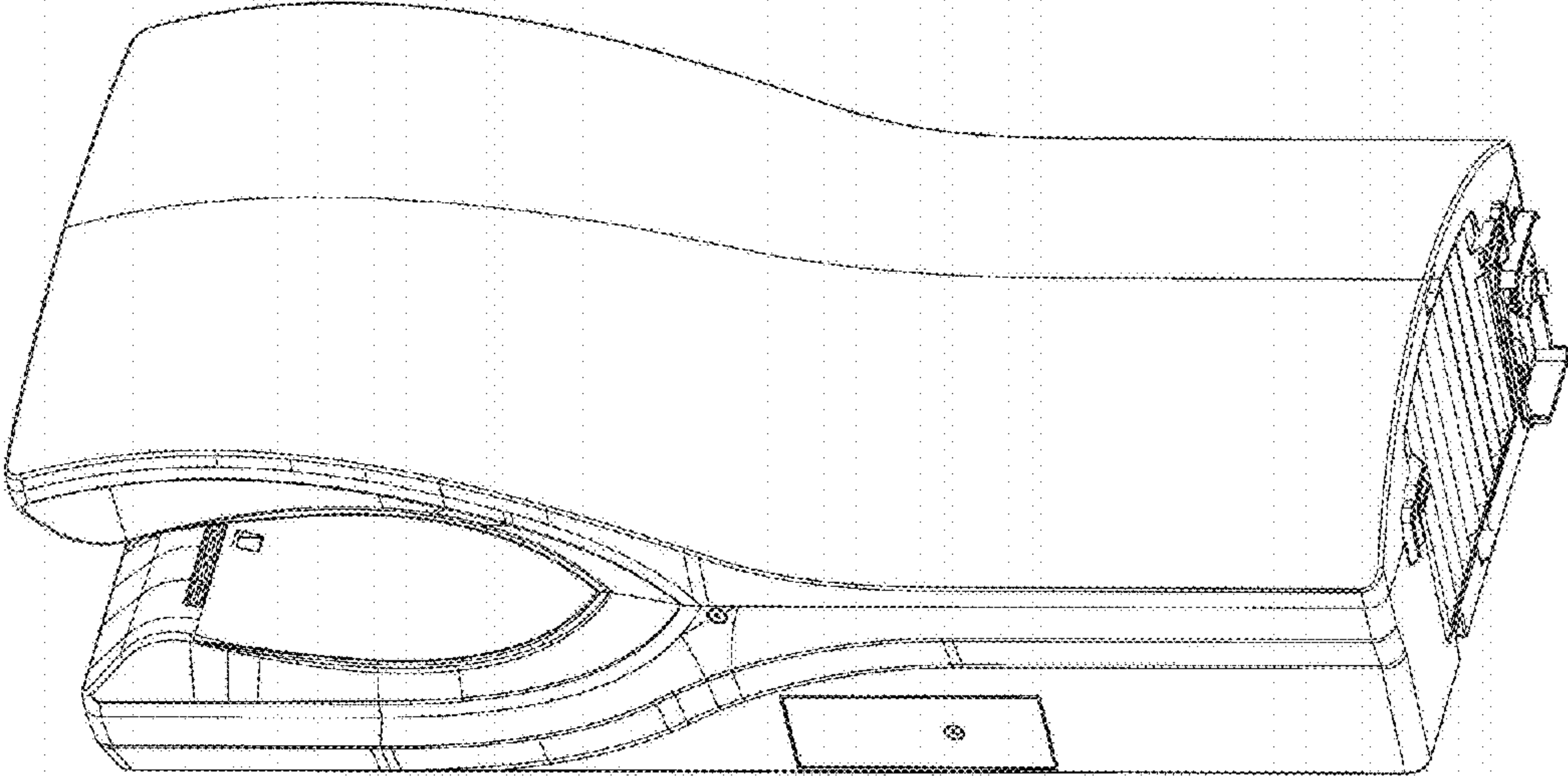


FIG. 6

FIG. 7





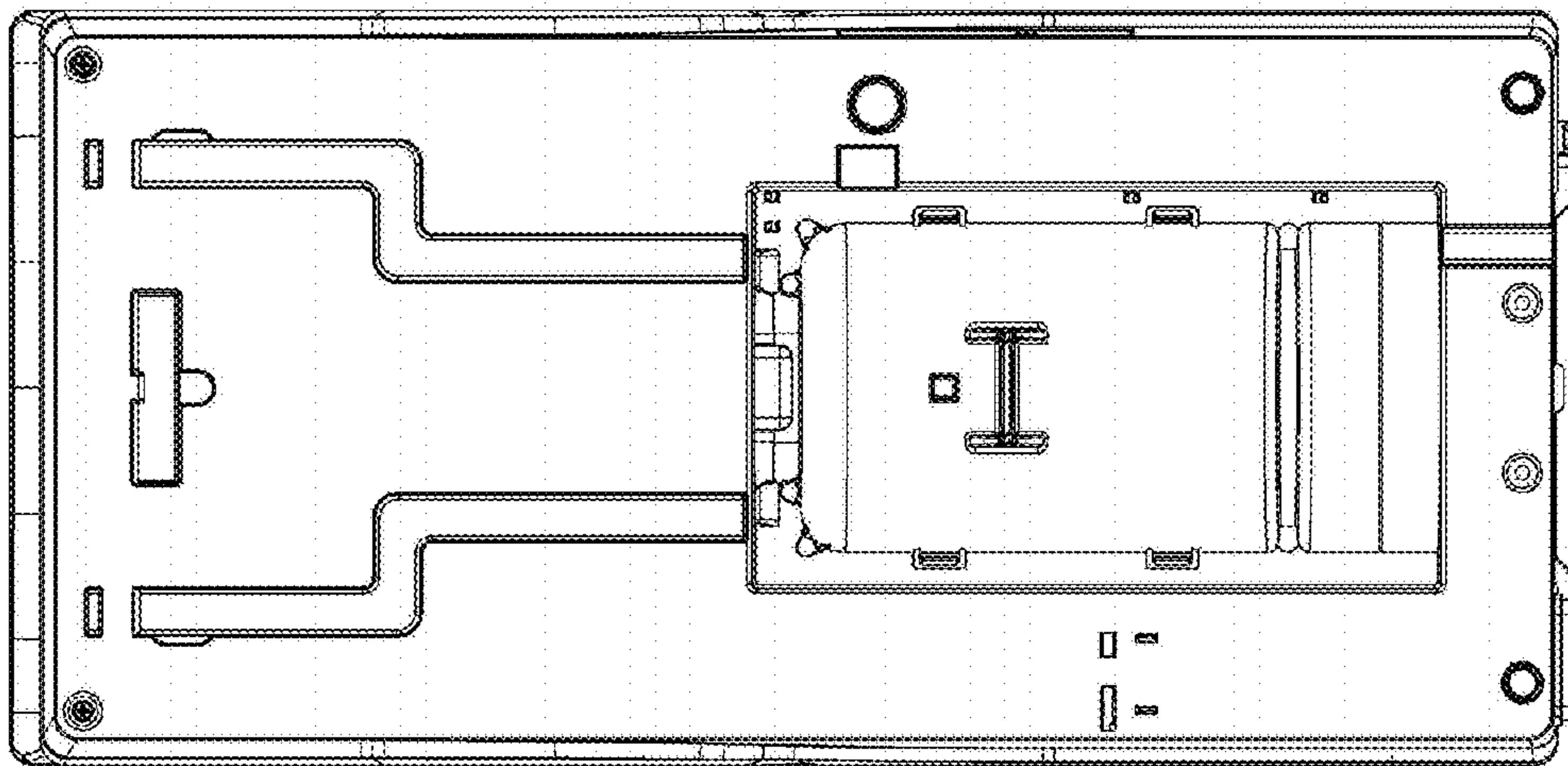


FIG. 8

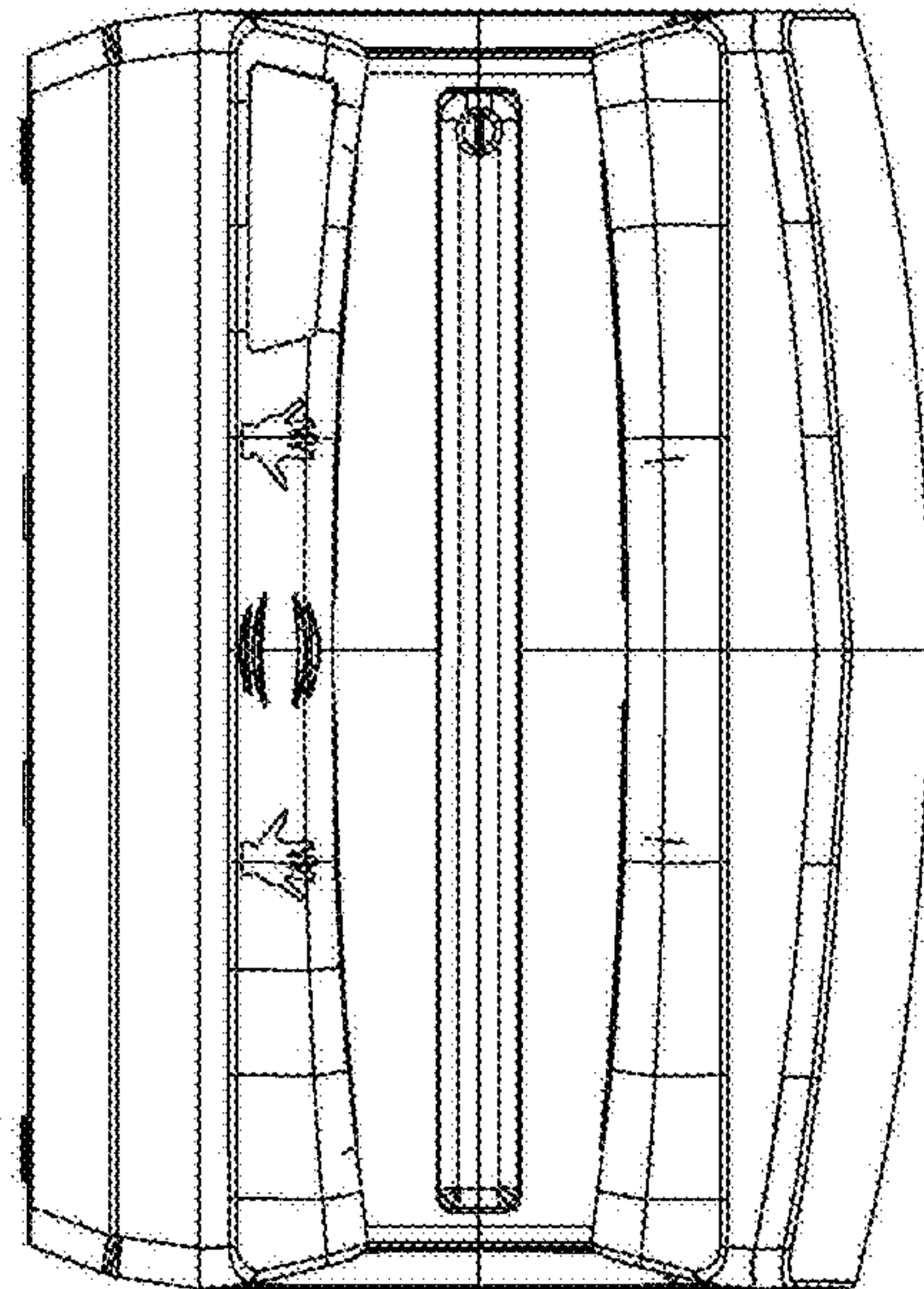


FIG. 9

FIG. 10

