



US00D715486S

(12) **United States Design Patent**
Brady et al.

(10) **Patent No.:** **US D715,486 S**
(45) **Date of Patent:** **** Oct. 14, 2014**

(54) **DIFFUSER**

(56)

References Cited

(71) Applicant: **Jemella Group Limited**, Manchester (GB)

U.S. PATENT DOCUMENTS

(72) Inventors: **Daniel Brady**, Berkshire (GB); **Timothy Hone**, London (GB)

5,275,339	A *	1/1994	Andis et al.	239/443
5,488,783	A *	2/1996	Parkinson et al.	34/98
D462,141	S *	8/2002	Carlucci et al.	D28/18
D477,112	S *	7/2003	Yeung	D28/18
D617,945	S *	6/2010	Kim	D28/18
2009/0100698	A1 *	4/2009	Primm	34/97
2011/0197466	A1 *	8/2011	Shami et al.	34/283

(73) Assignee: **Jemella Group Limited**, Leeds (GB)

* cited by examiner

(**) Term: **14 Years**

Primary Examiner — Zenia Bennett

(21) Appl. No.: **29/441,818**

(74) *Attorney, Agent, or Firm* — Michael J. Brown

(22) Filed: **Jan. 9, 2013**

(57) **CLAIM**

The ornamental design for a diffuser, as shown and described.

(51) **LOC (10) Cl.** **28-03**

DESCRIPTION

(52) **U.S. Cl.**

CPC **A45D 20/12** (2013.01)

USPC **D28/18**

(58) **Field of Classification Search**

CPC A45D 20/12

USPC D28/12-19; 34/96-101; 392/380-385; 219/222

FIG. 1 is a perspective view of the new ornamental diffuser of the present invention.

FIG. 2 is a left side view thereof.

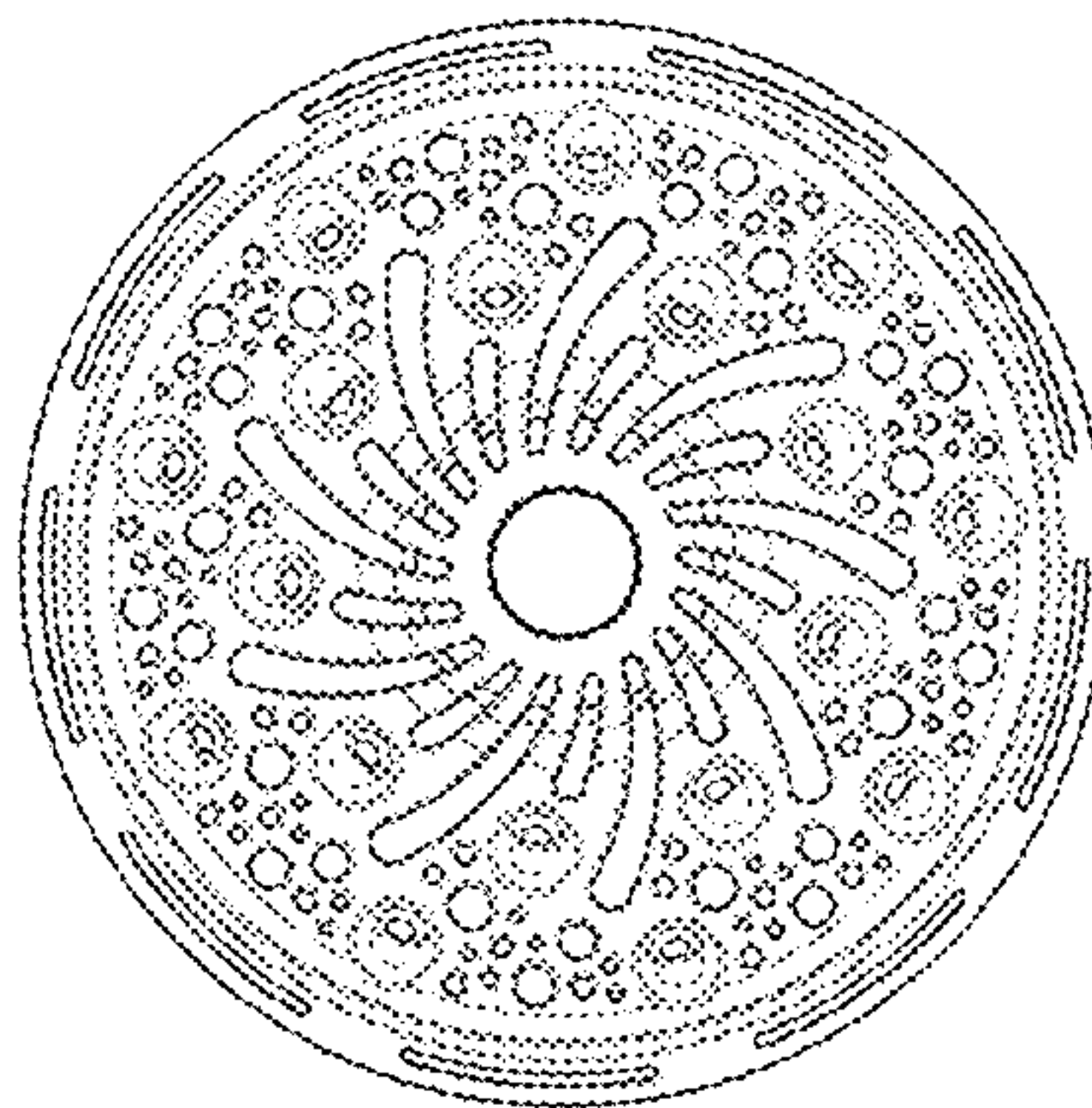
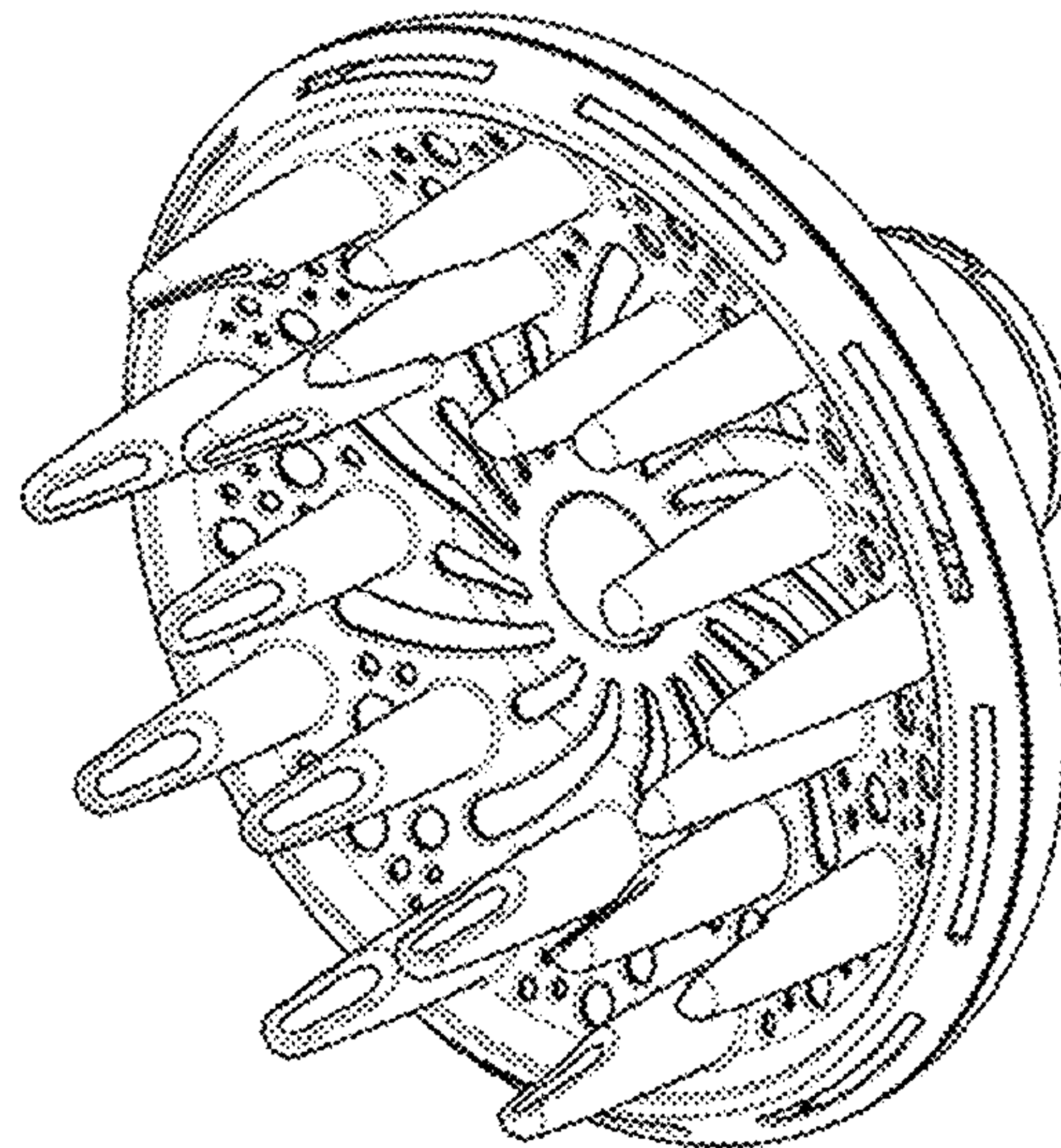
FIG. 3 is a right side view thereof.

FIG. 4 is a top view thereof; and,

FIG. 5 is a bottom view thereof.

See application file for complete search history.

1 Claim, 3 Drawing Sheets



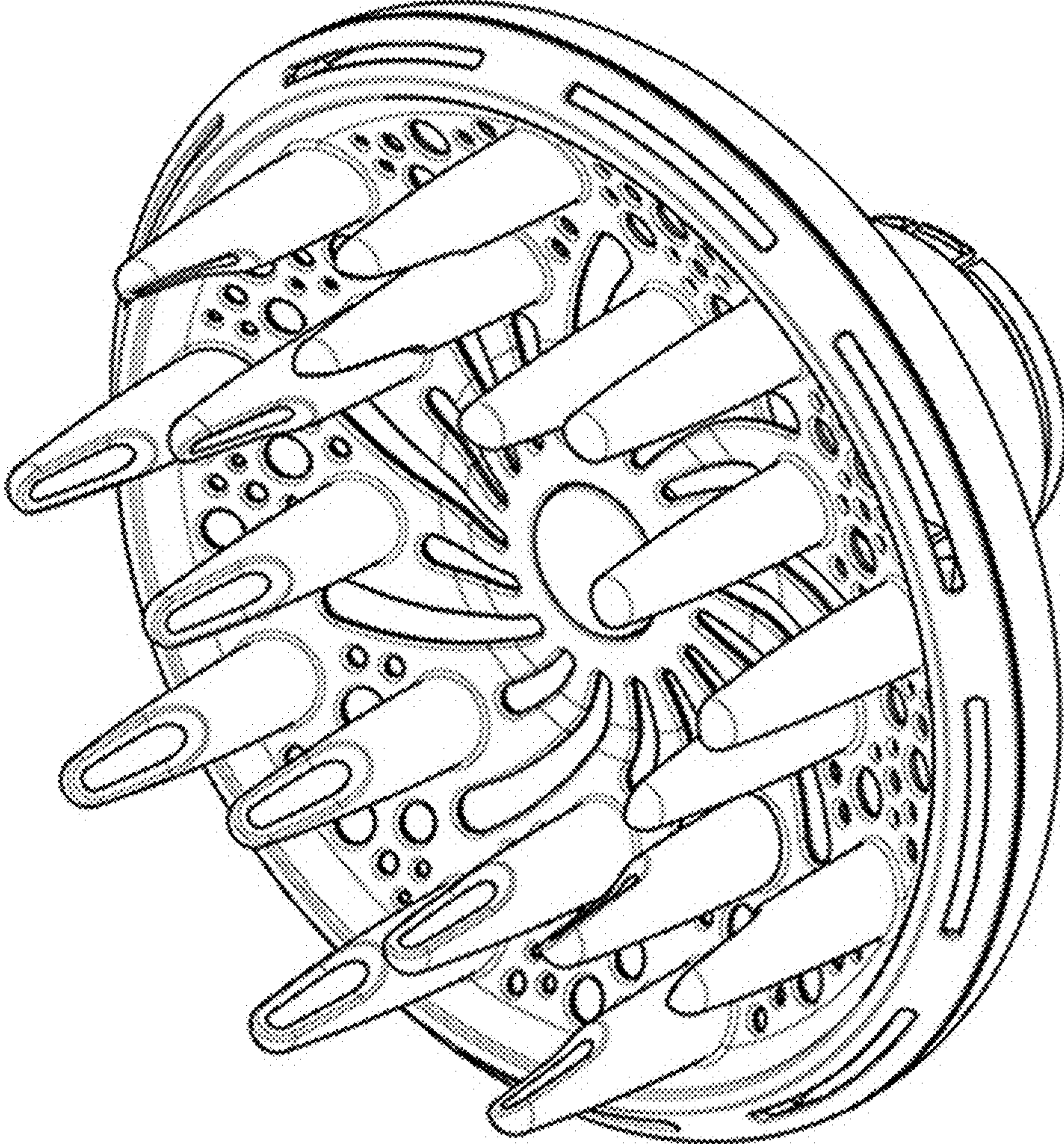


Fig. 1

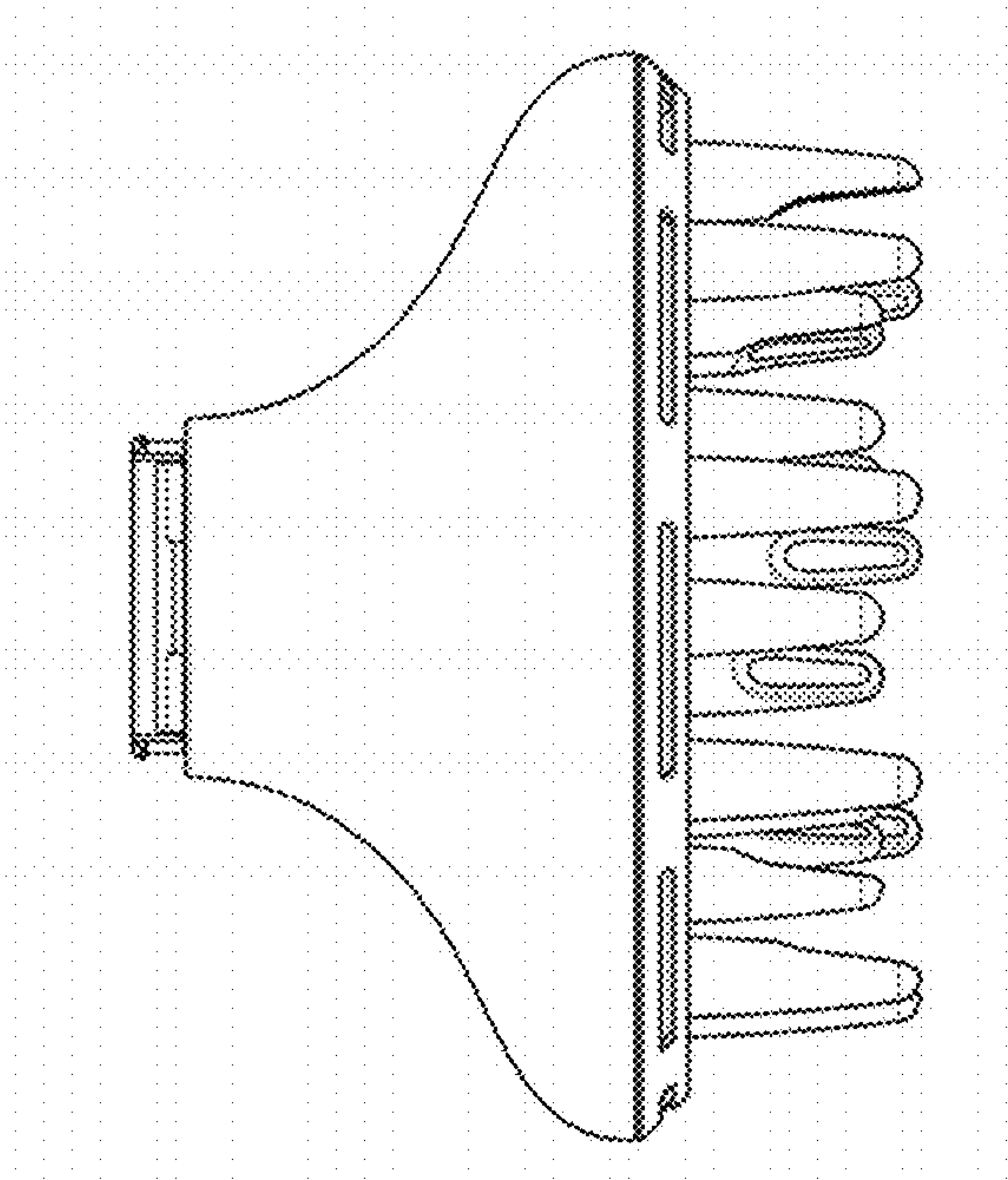


Fig. 2

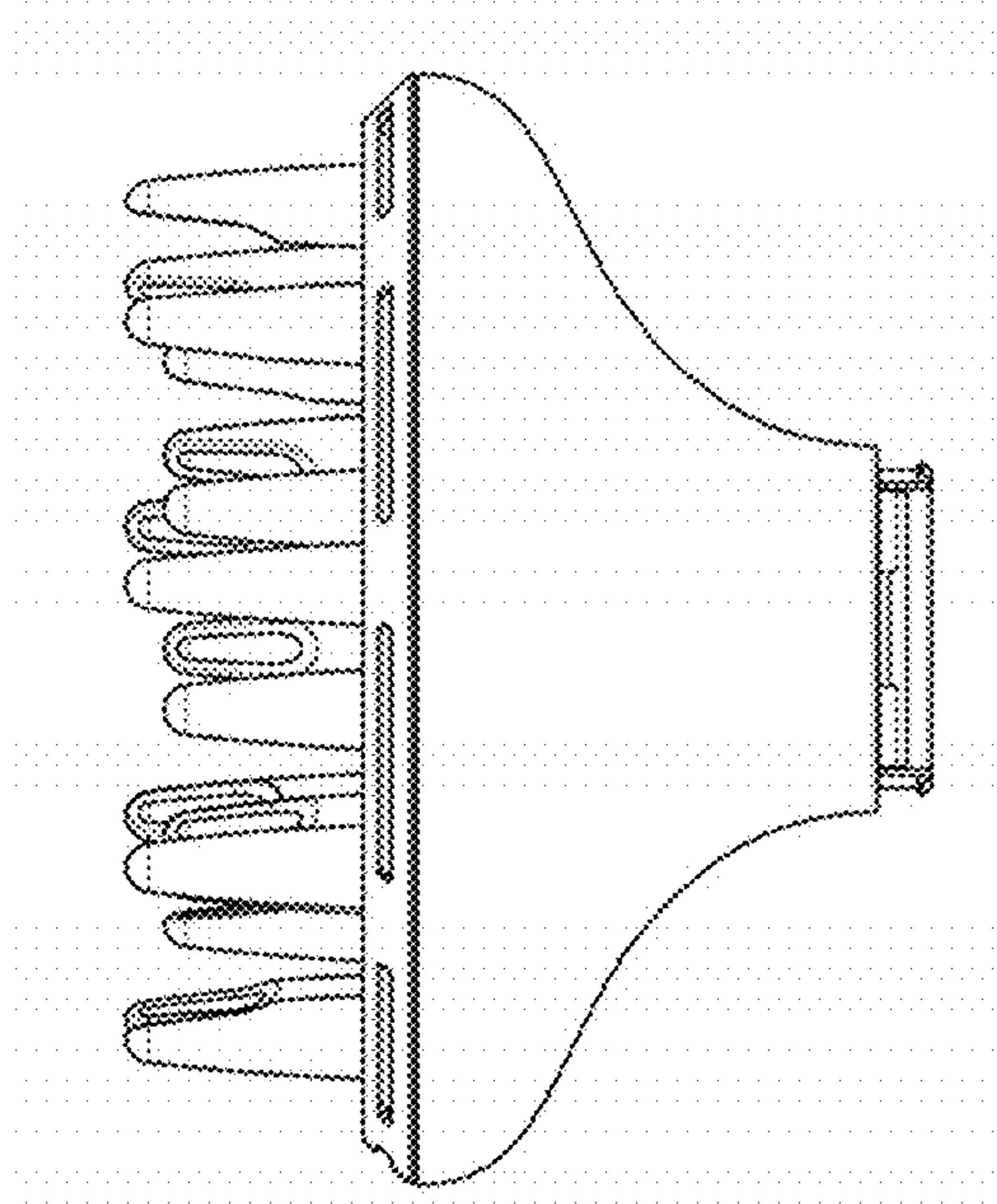


Fig. 3

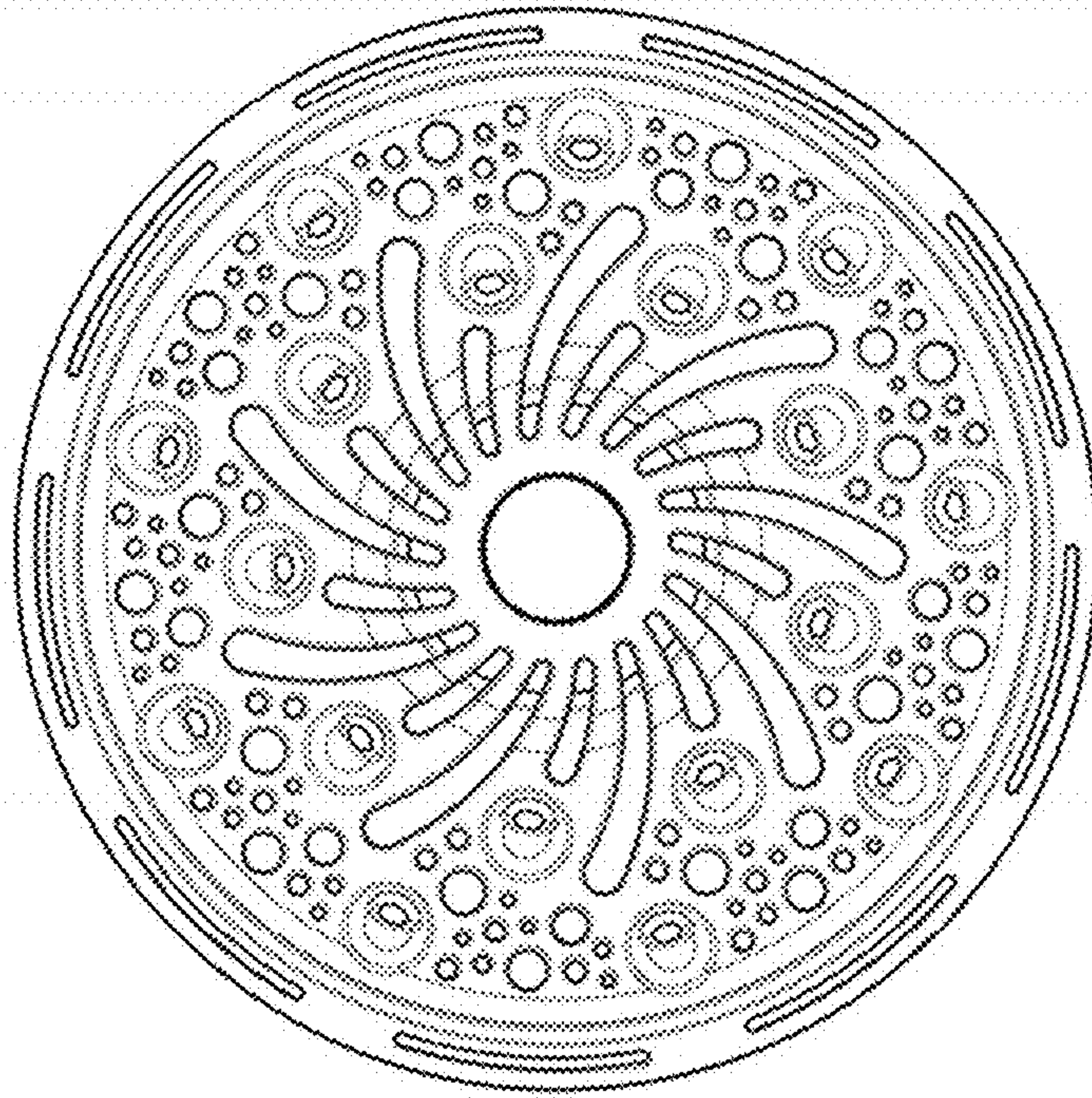


Fig. 4

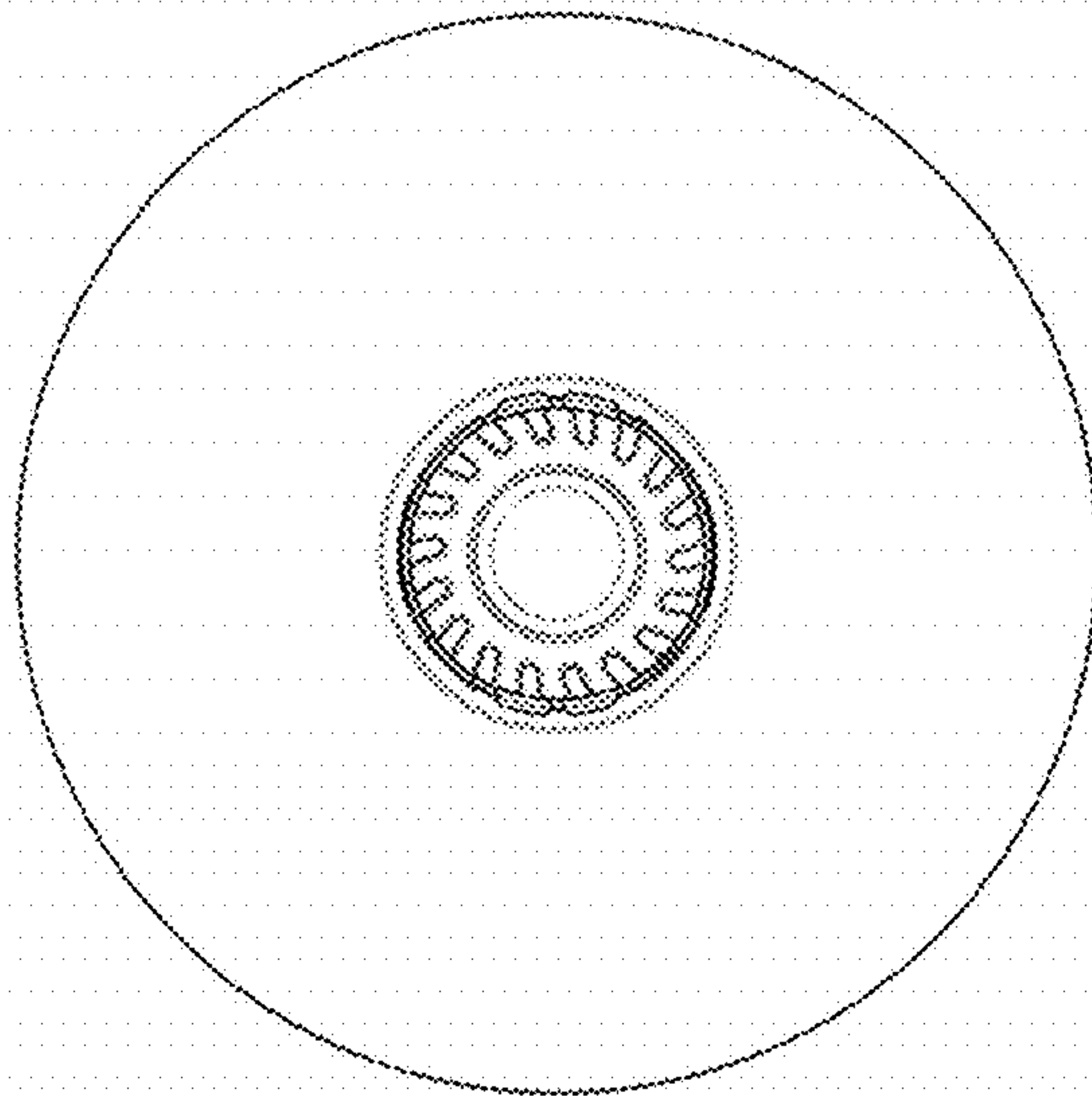


Fig. 5