



US00D715485S

(12) **United States Design Patent**
Parodi

(10) **Patent No.:** **US D715,485 S**

(45) **Date of Patent:** **** Oct. 14, 2014**

(54) **ELECTRIC HAIR DRYER**

(71) Applicant: **Parlux SpA**, Trezzano Sul Naviglio (IT)

(72) Inventor: **Paolo Parodi**, Milan (IT)

(73) Assignee: **Parlux SpA**, Trezzano sul Naviglio
(Milano) (IT)

(**) Term: **14 Years**

(21) Appl. No.: **29/462,554**

(22) Filed: **Aug. 6, 2013**

(30) **Foreign Application Priority Data**

Feb. 28, 2013 (EP) 002193813-0001

(51) **LOC (10) Cl.** **28-03**

(52) **U.S. Cl.**

CPC **A45D 20/12** (2013.01)

USPC **D28/13**

(58) **Field of Classification Search**

CPC A45D 20/12

USPC D28/12-19; 34/96-101; 392/380-385;
219/222

See application file for complete search history.

(56) **References Cited**

U.S. PATENT DOCUMENTS

D460,214 S * 7/2002 Parodi D28/13

D518,919 S * 4/2006 Parodi D28/13

D528,698 S * 9/2006 Rizzuto, Jr. D28/13

D604,898 S * 11/2009 Parodi D28/13

D615,243 S * 5/2010 Parodi D28/13

D641,521 S * 7/2011 Parodi D28/13

D678,607 S * 3/2013 Parodi D28/13

* cited by examiner

Primary Examiner — Zenia Bennett

(74) *Attorney, Agent, or Firm* — Jacobson Holman, PLLC.

(57) **CLAIM**

I claim the ornamental design for the electric hair dryer, substantially as shown and described.

DESCRIPTION

FIG. 1 is a front perspective view of the electric hair dryer showing my new design,

FIG. 2 is a rear perspective view of the electric hair dryer as shown in FIG. 1,

FIG. 3 is a right-hand side elevation view of the electric hair dryer as shown in FIG. 1,

FIG. 4 is a front elevation view of the electric hair dryer as shown in FIG. 1,

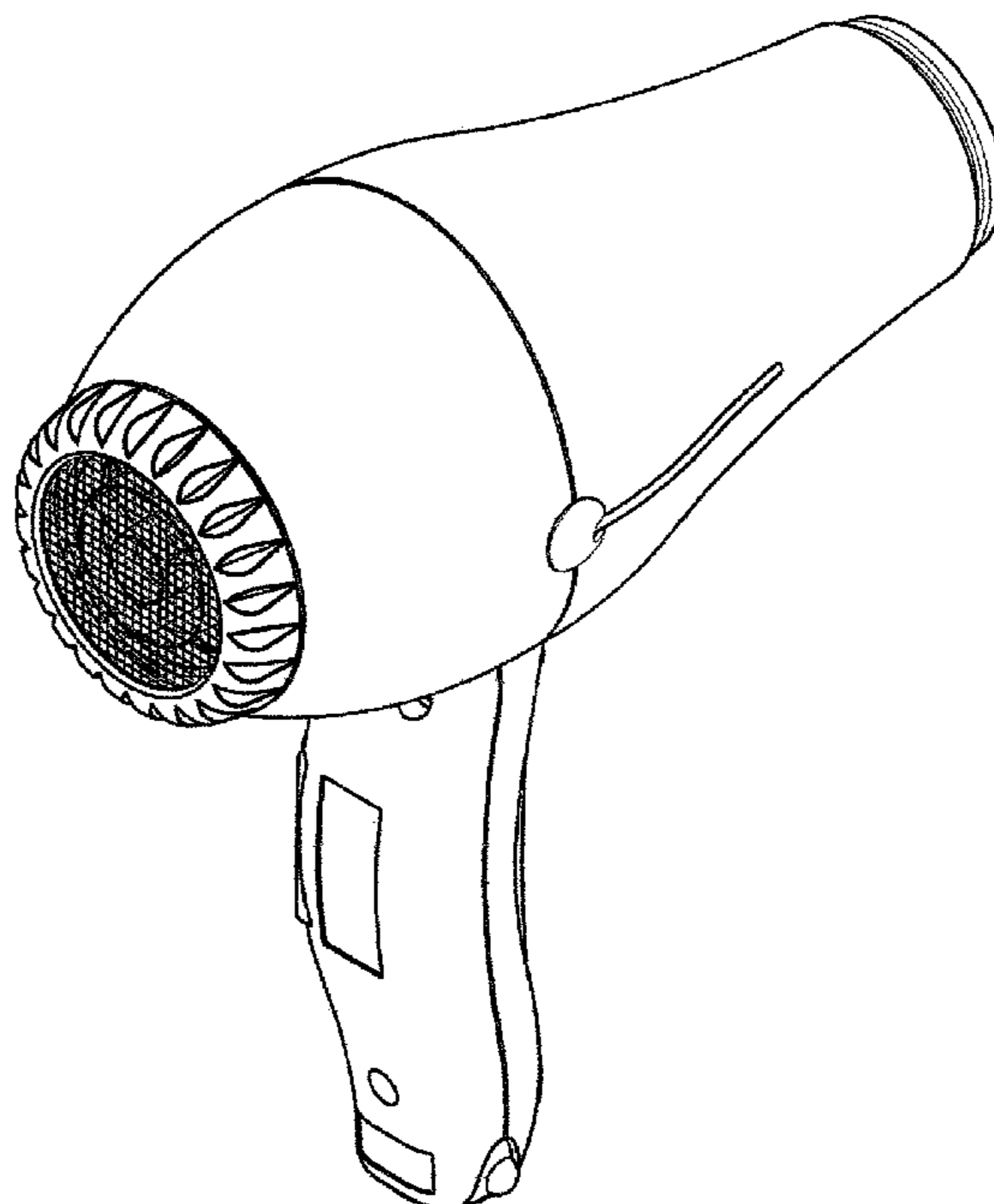
FIG. 5 is a left-hand side elevation view of the electric hair dryer as shown in FIG. 1,

FIG. 6 is a rear elevation view of the electric hair dryer as shown in FIG. 1, and

FIG. 7 is a top plan view of the electric hair dryer as shown in FIG. 1; and,

FIG. 8 is a bottom plan view thereof.

1 Claim, 8 Drawing Sheets



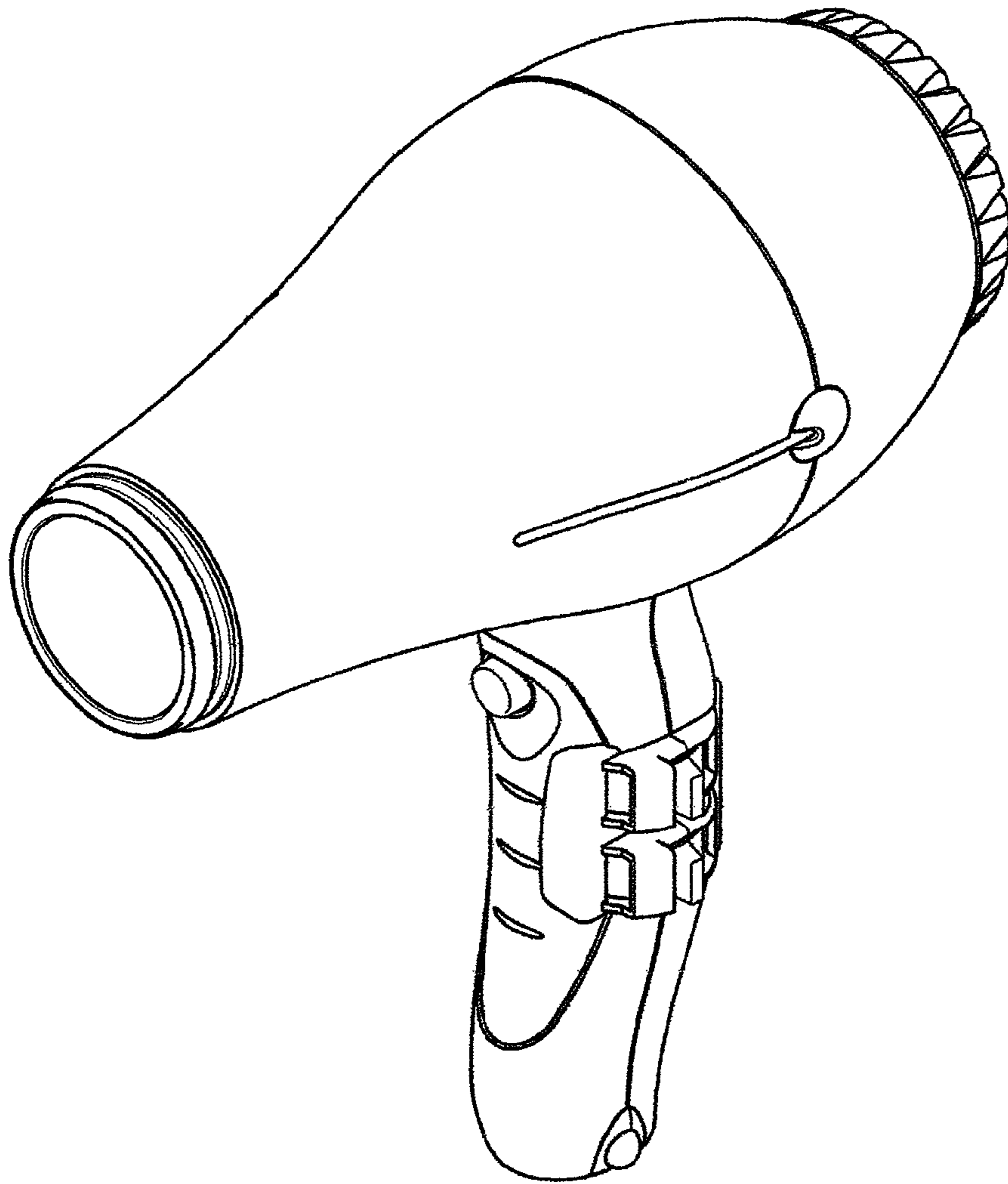


Fig. 1

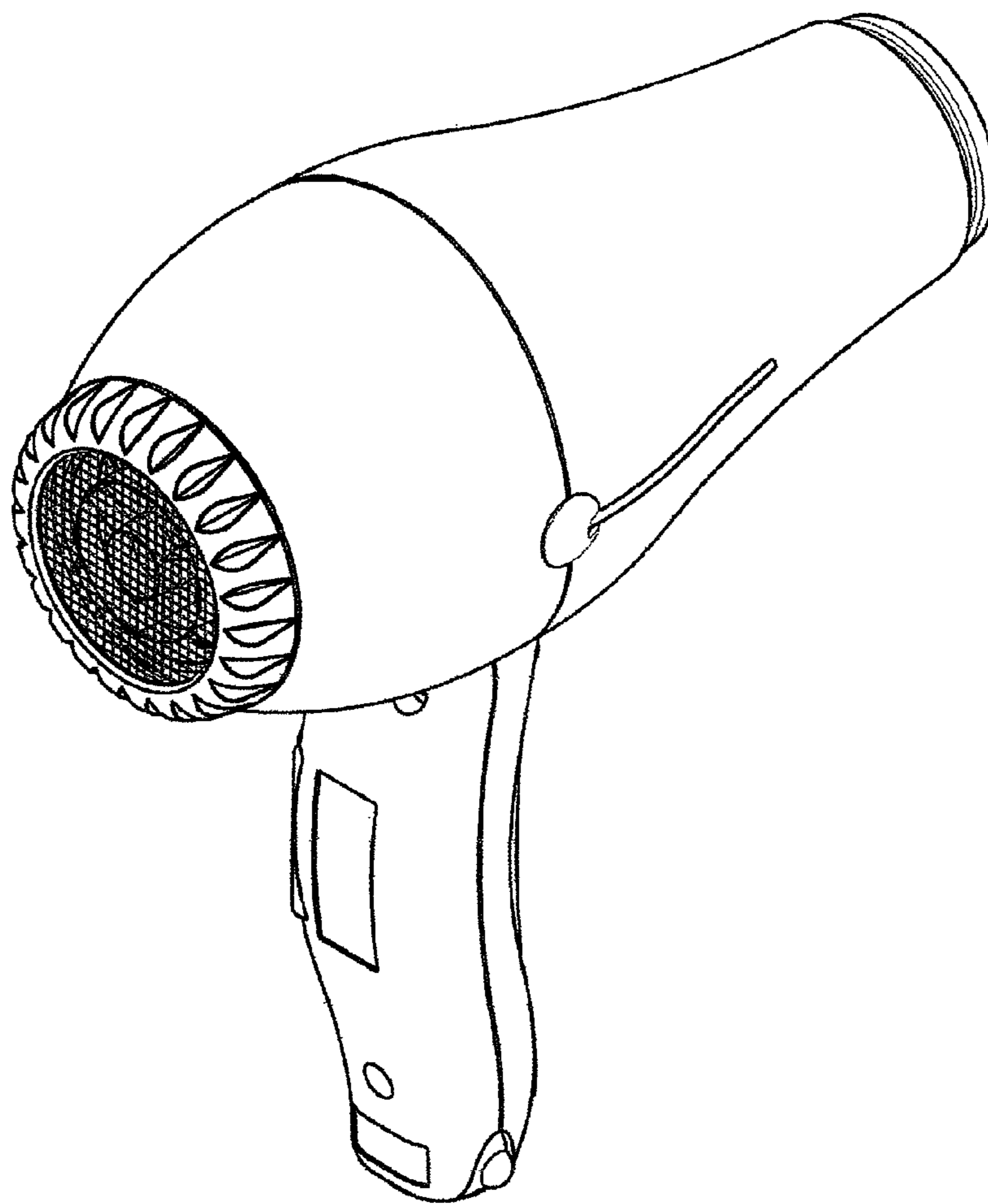


Fig. 2

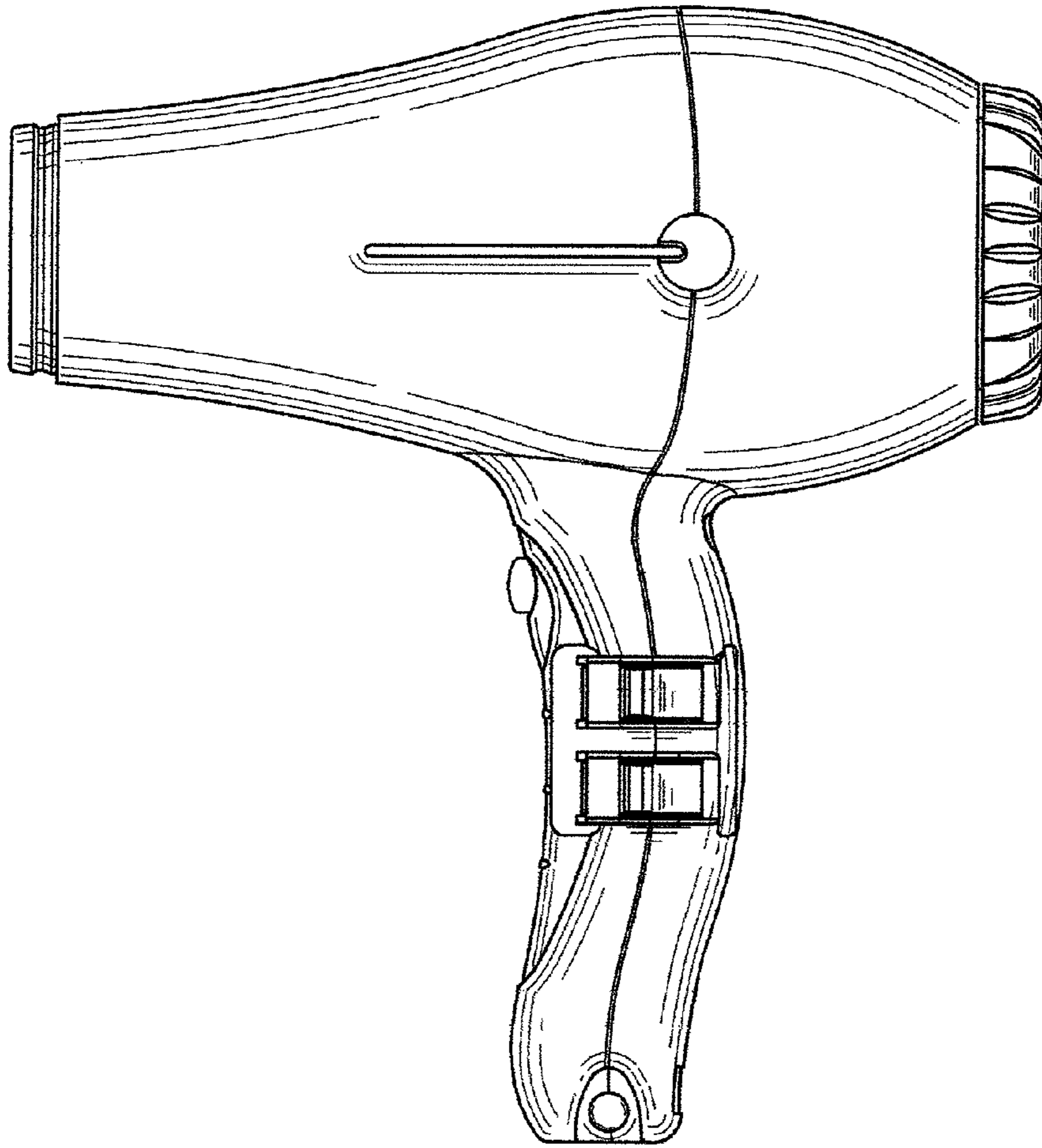


Fig. 3

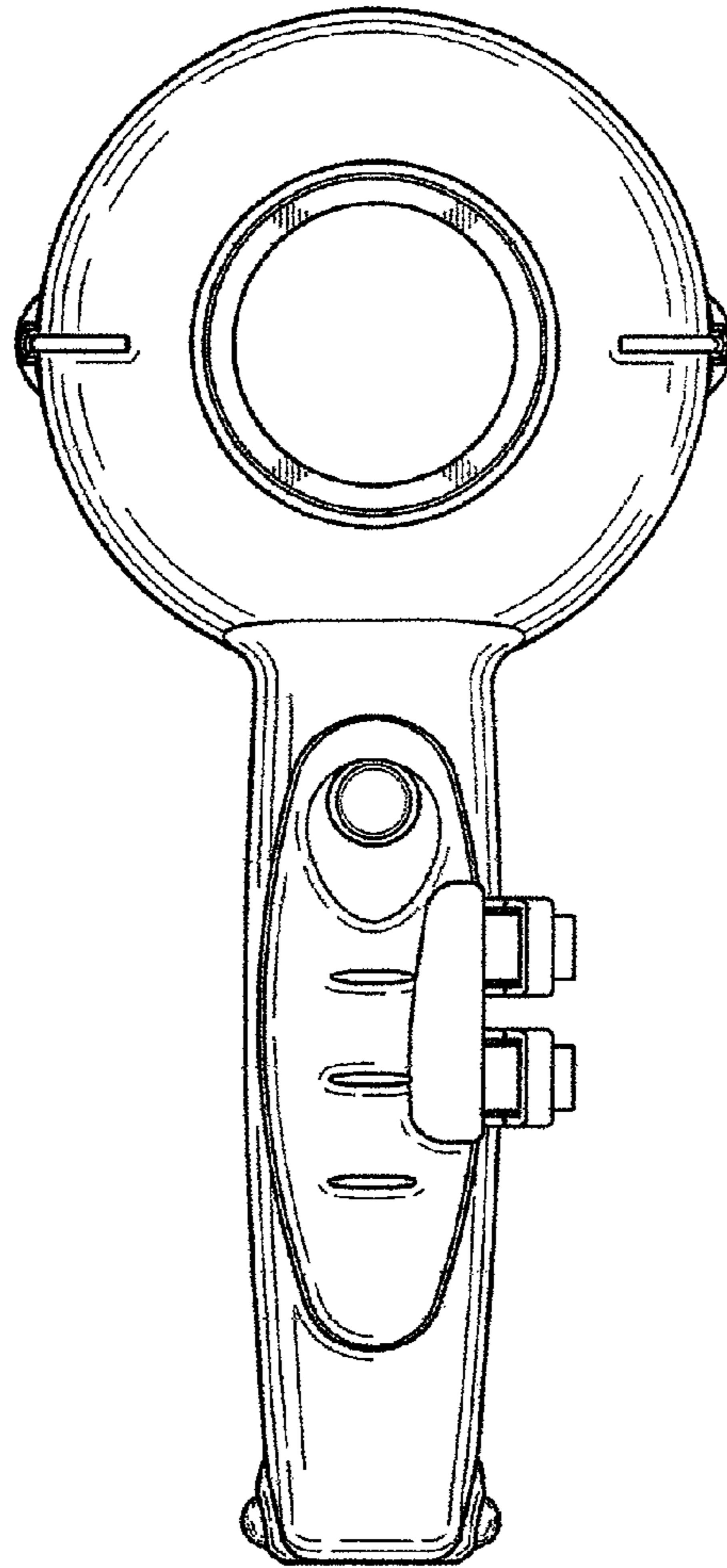


Fig. 4

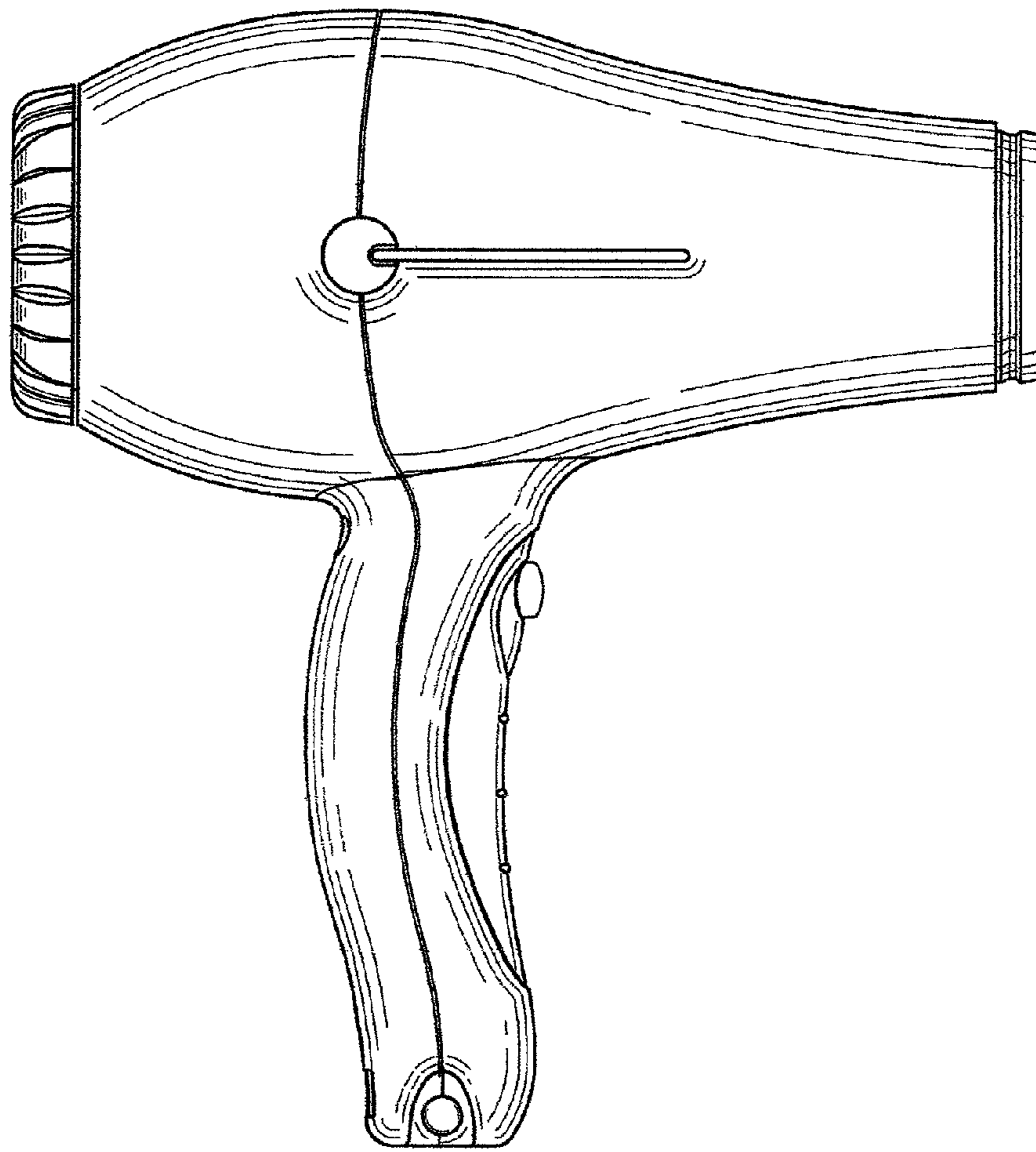


Fig. 5

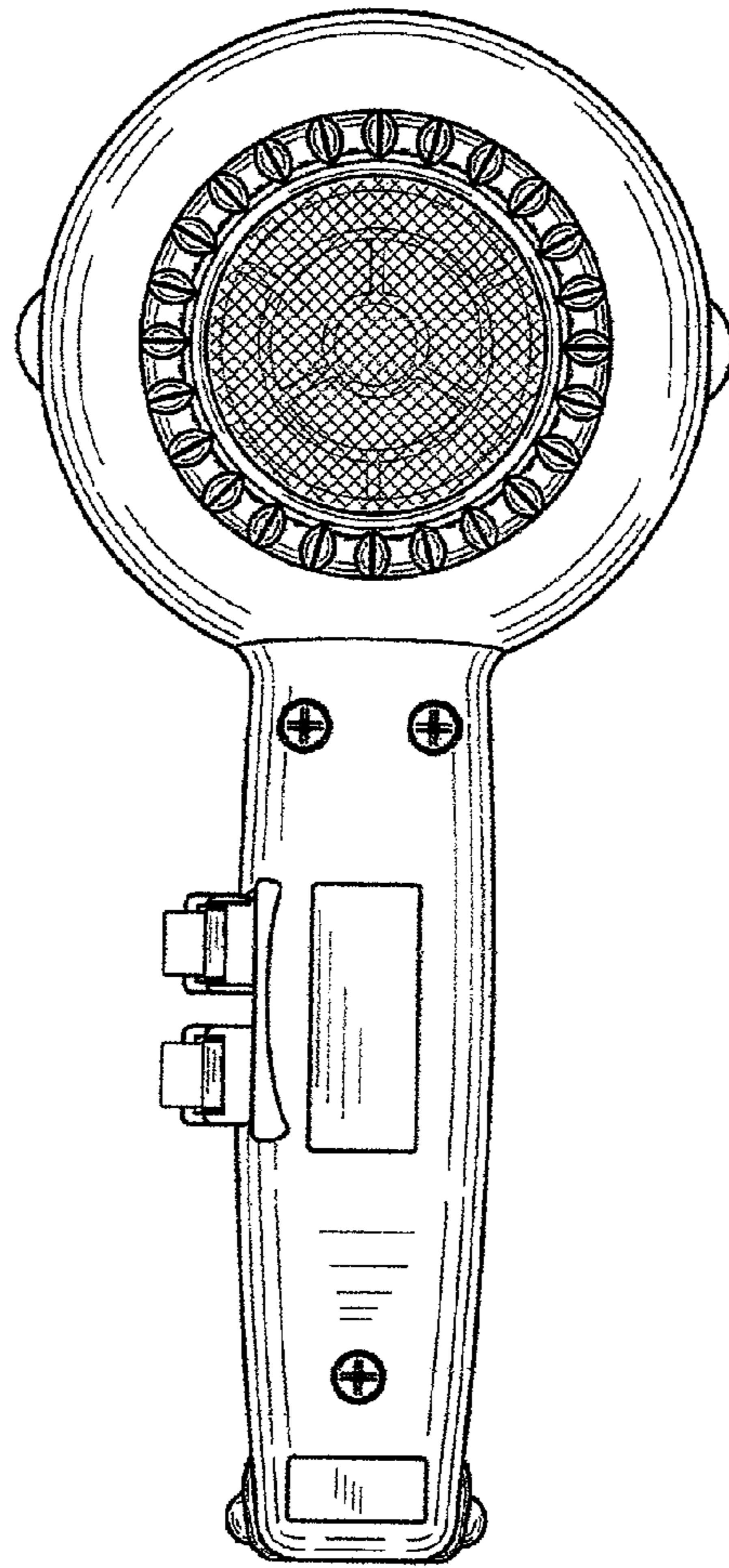


Fig. 6

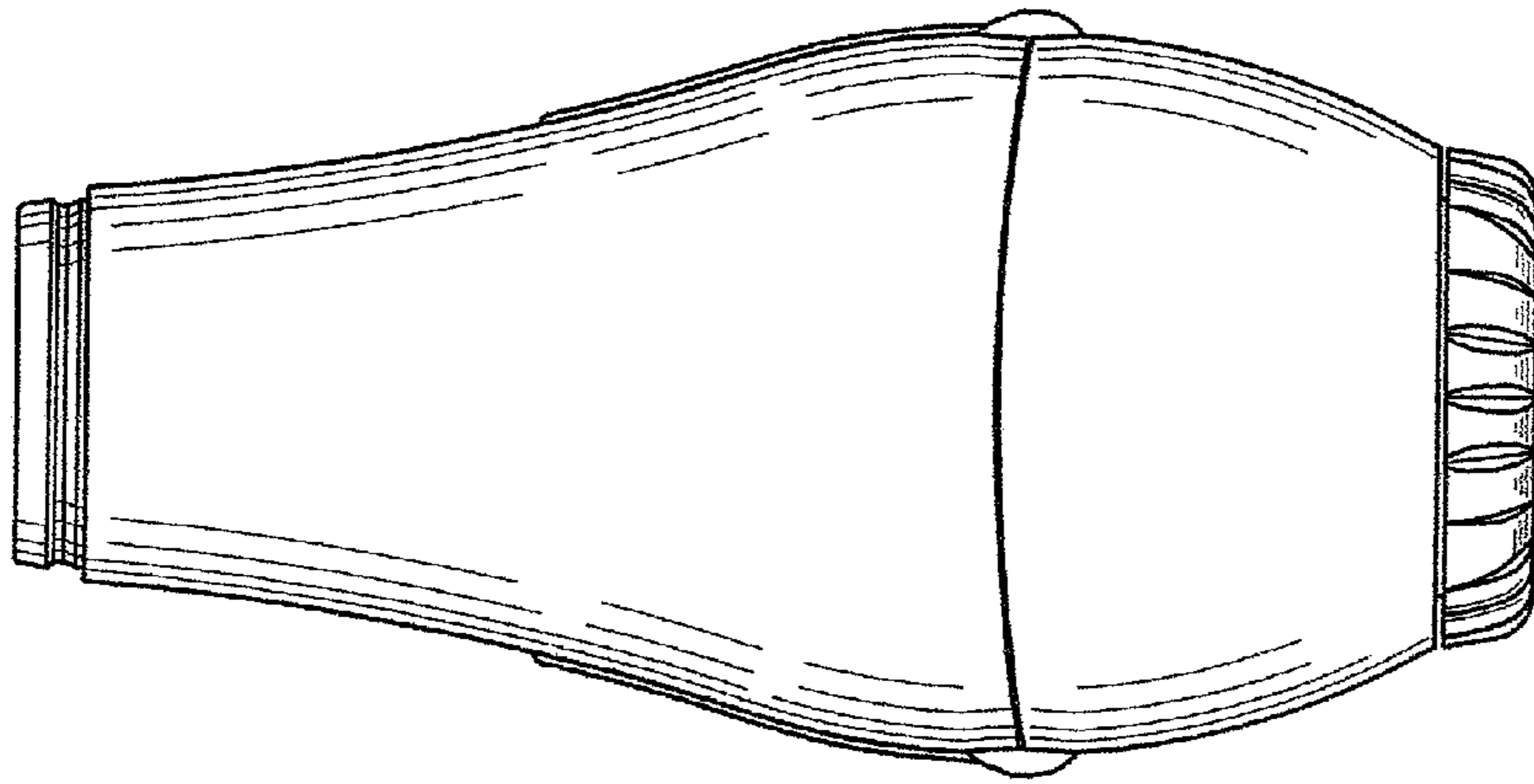


Fig. 7

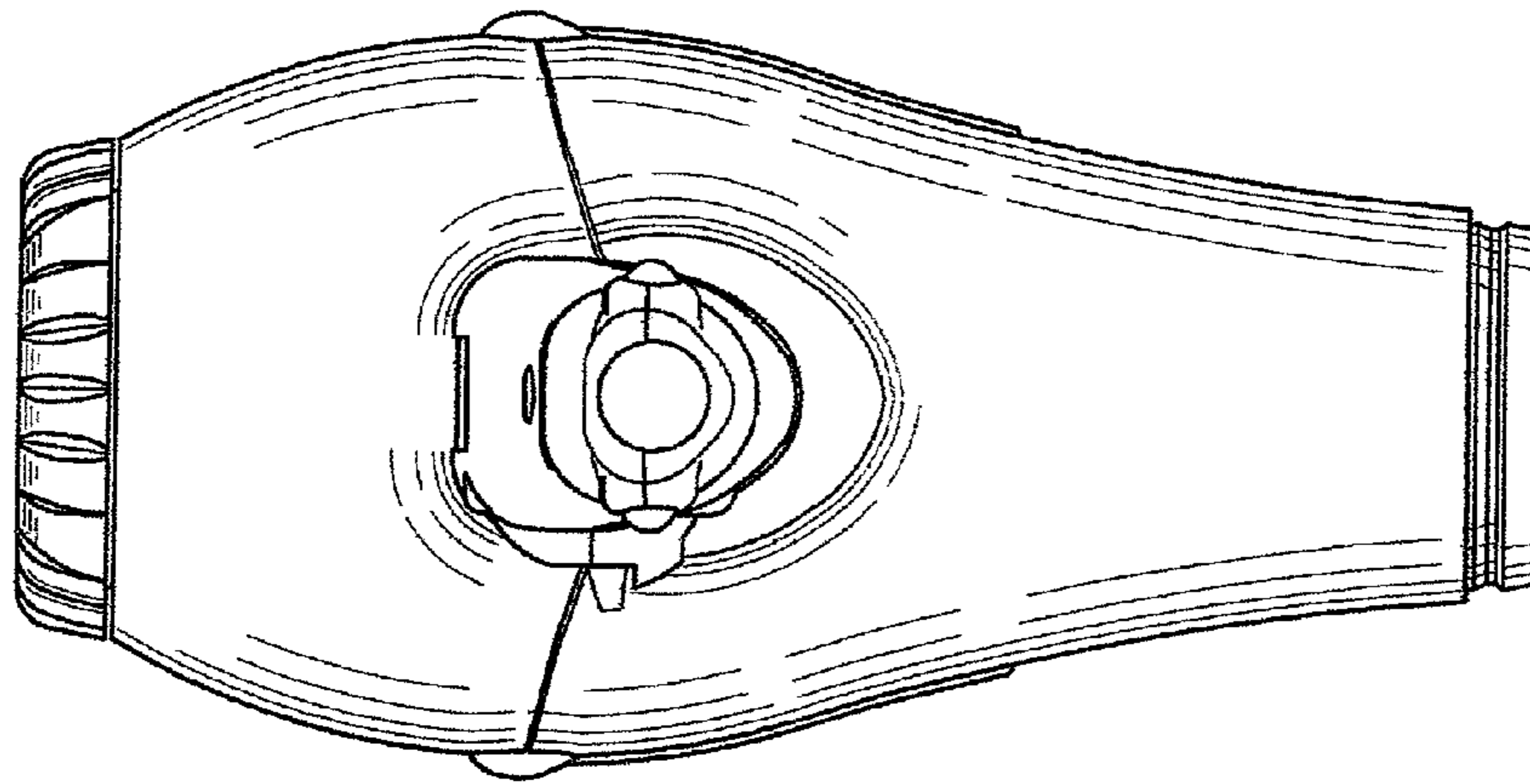


Fig. 8