



US00D715484S

(12) **United States Design Patent**  
**Kang**

(10) **Patent No.:** **US D715,484 S**

(45) **Date of Patent:** **\*\* Oct. 14, 2014**

(54) **HAIR DRYER**

(71) Applicant: **JMW Co., Ltd.**, Seoul (KR)

(72) Inventor: **Jong Kwon Kang**, Gyeonggi-do (KR)

(73) Assignee: **JMW Co., Ltd.**, Seoul (KR)

(\*\*) Term: **14 Years**

(21) Appl. No.: **29/459,513**

(22) Filed: **Jul. 1, 2013**

(30) **Foreign Application Priority Data**

Jun. 11, 2013 (KR) ..... 30-2013-0030113

(51) **LOC (10) Cl.** ..... **28-03**

(52) **U.S. Cl.**

CPC ..... **A45D 20/12** (2013.01)

USPC ..... **D28/13**

(58) **Field of Classification Search**

CPC ..... **A45D 20/12**

USPC ..... **D28/12-19; 34/96-101; 392/380-385; 219/222**

See application file for complete search history.

(56) **References Cited**

U.S. PATENT DOCUMENTS

D353,224	S	*	12/1994	Rizzuto, Jr.	.....	D28/13
D360,282	S	*	7/1995	Anzuoni et al.	.....	D28/15
D369,434	S	*	4/1996	LeCompte, Sr.	.....	D28/13
D439,372	S	*	3/2001	Yip	.....	D28/13
D536,482	S	*	2/2007	Koenemann	.....	D28/13
D651,342	S	*	12/2011	Kim	.....	D28/13
2014/0102470	A1	*	4/2014	Lombardi et al.	.....	132/221

\* cited by examiner

*Primary Examiner* — Zenia Bennett

(74) *Attorney, Agent, or Firm* — Rabin & Berdo, P.C.

(57) **CLAIM**

The ornamental design for a hair dryer, as shown and described.

**DESCRIPTION**

FIG. 1 is a perspective view of a hair dryer showing our new design;

FIG. 2 is a front view thereof;

FIG. 3 is a rear view thereof;

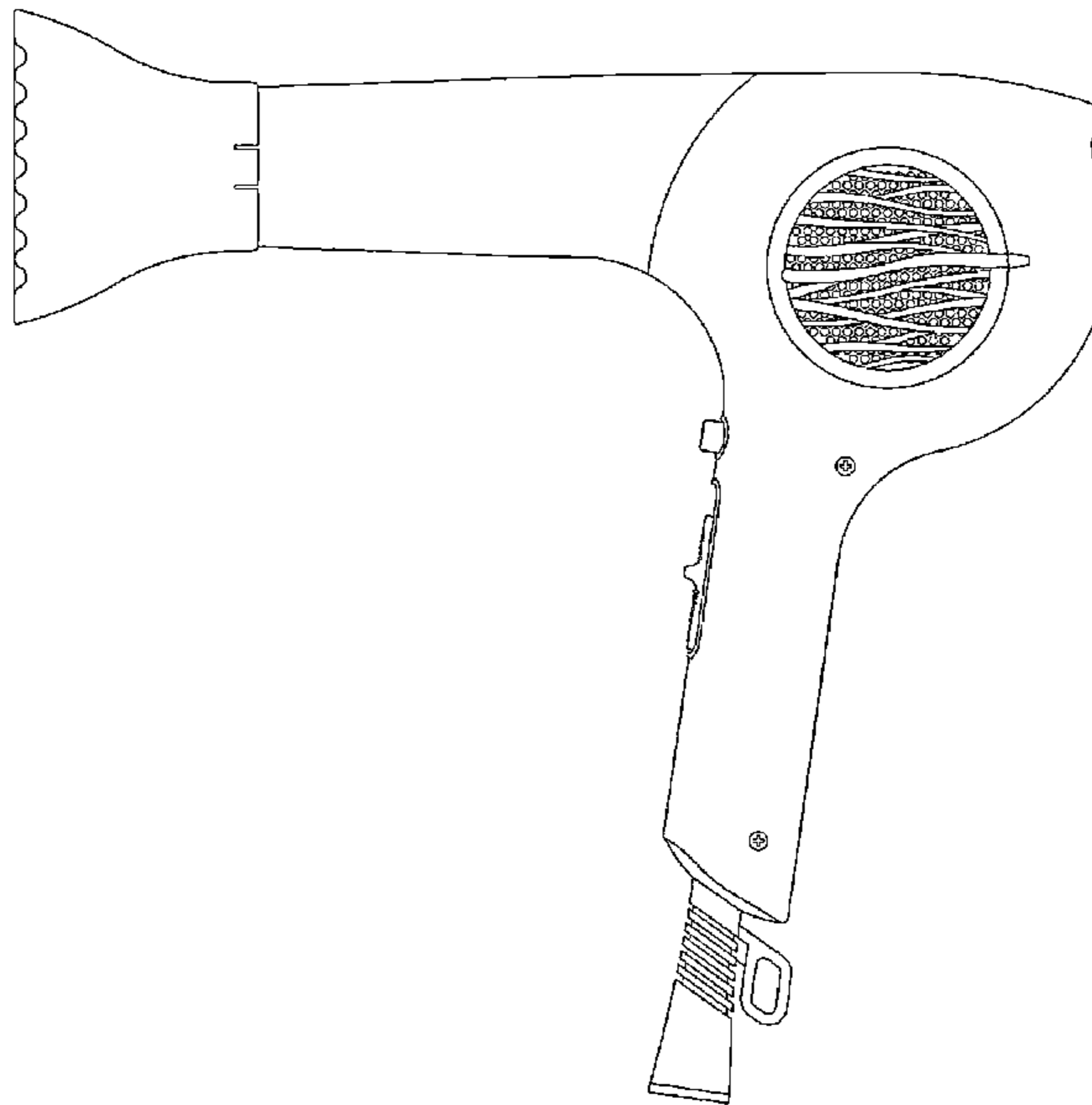
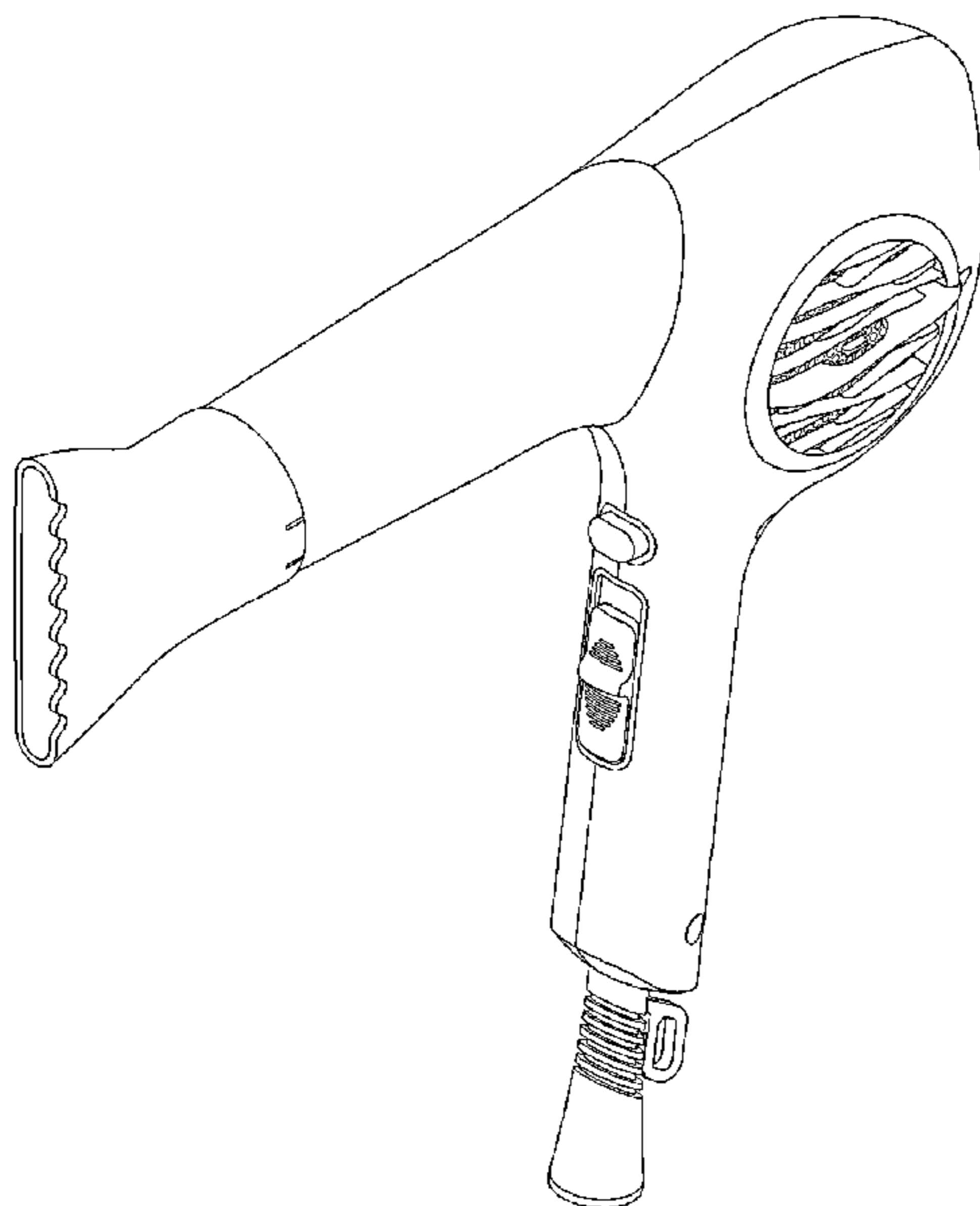
FIG. 4 is a left side view thereof;

FIG. 5 is a right side view thereof;

FIG. 6 is a top view thereof; and,

FIG. 7 is a bottom view thereof.

**1 Claim, 7 Drawing Sheets**



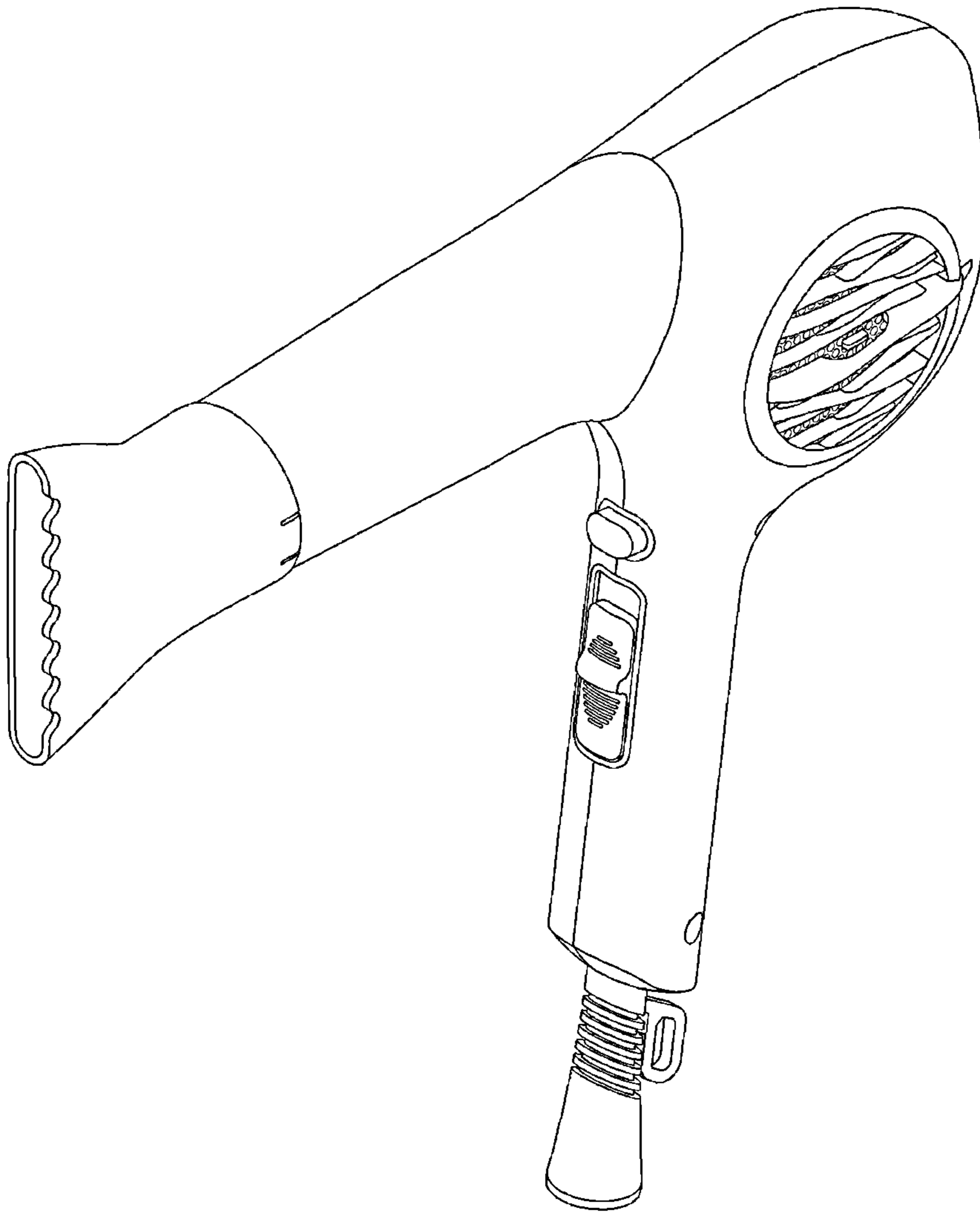


FIG. 1

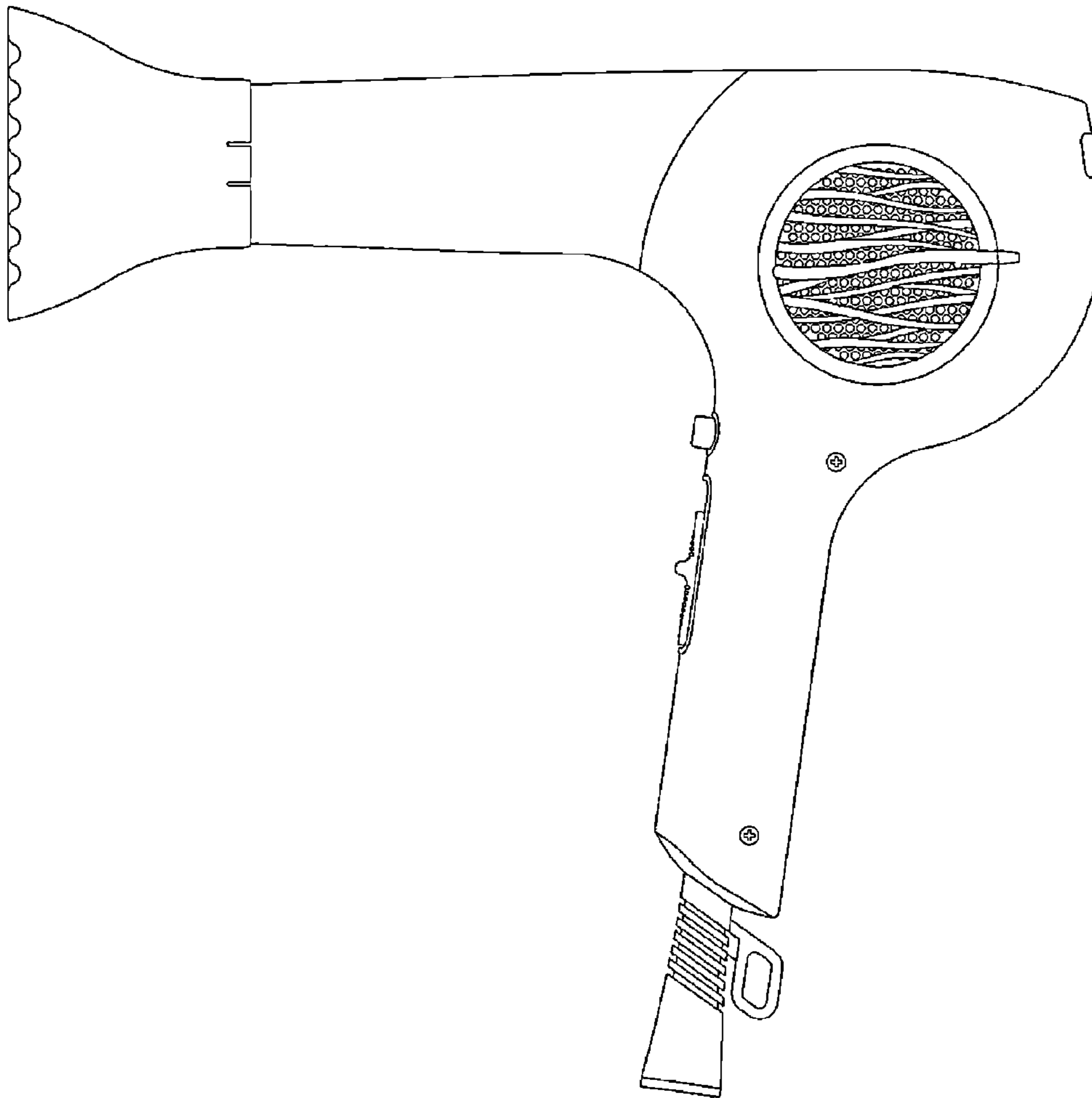


FIG. 2

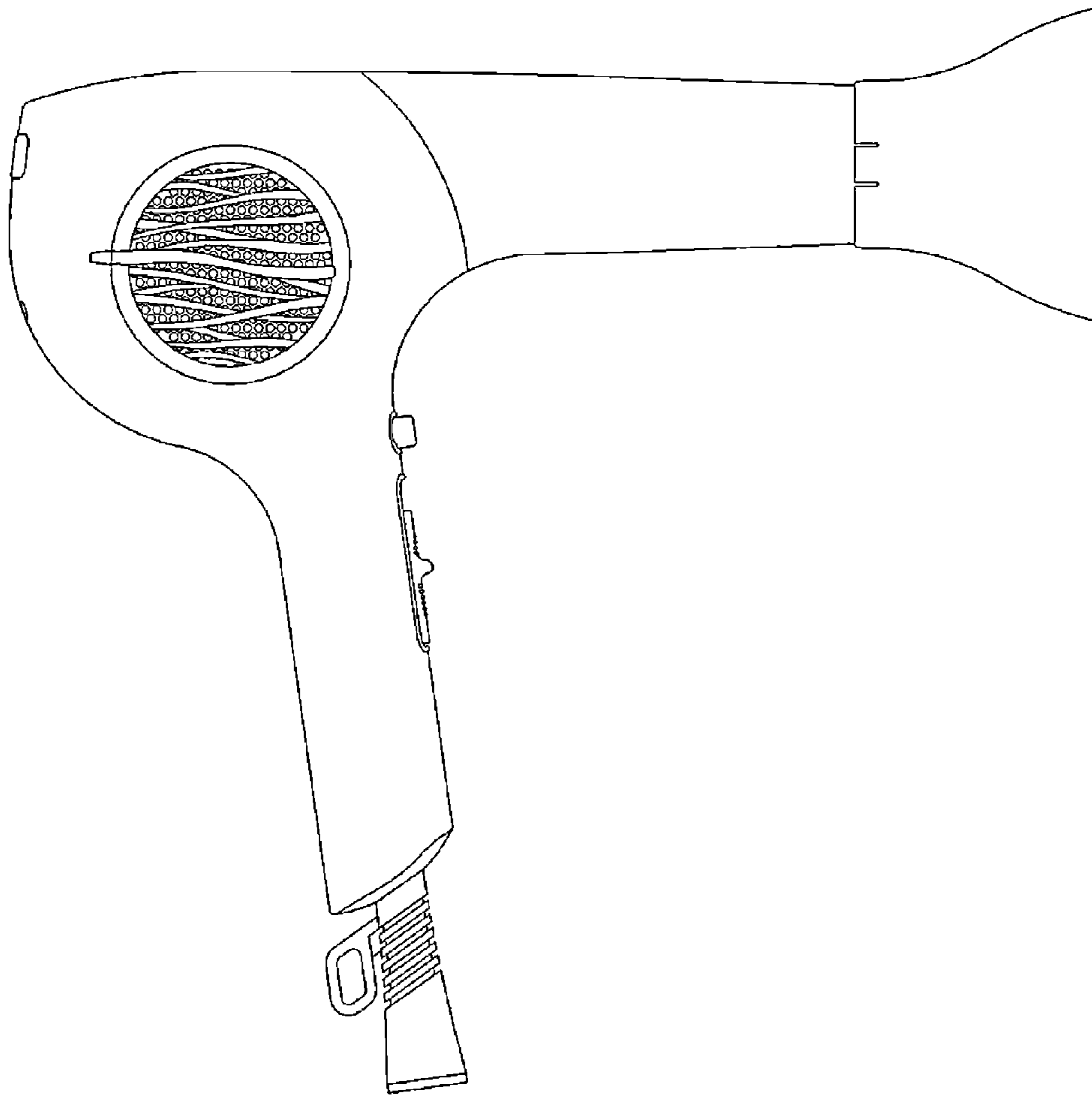


FIG. 3

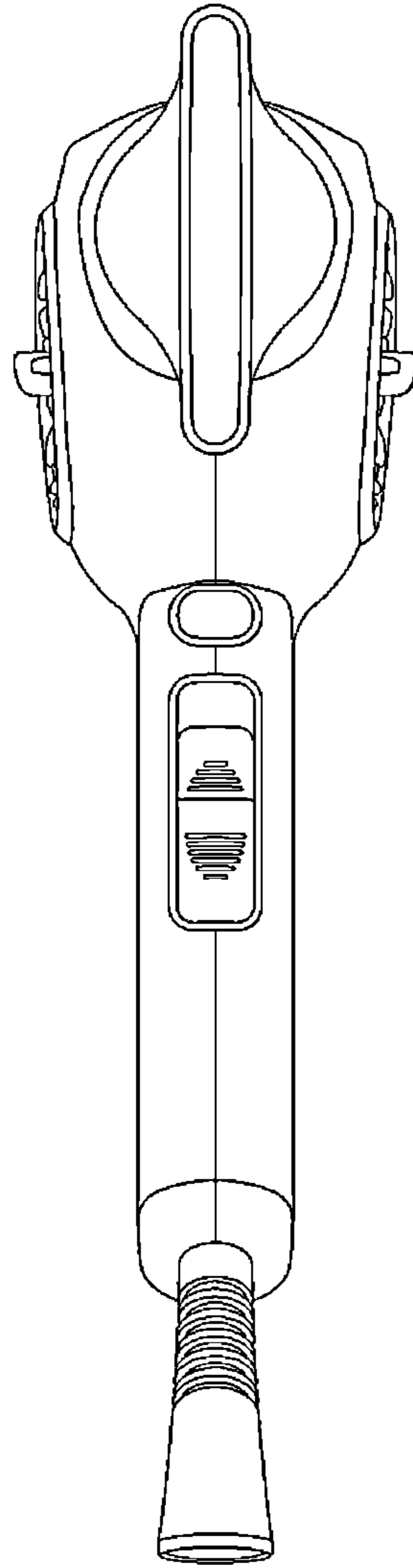


FIG. 4

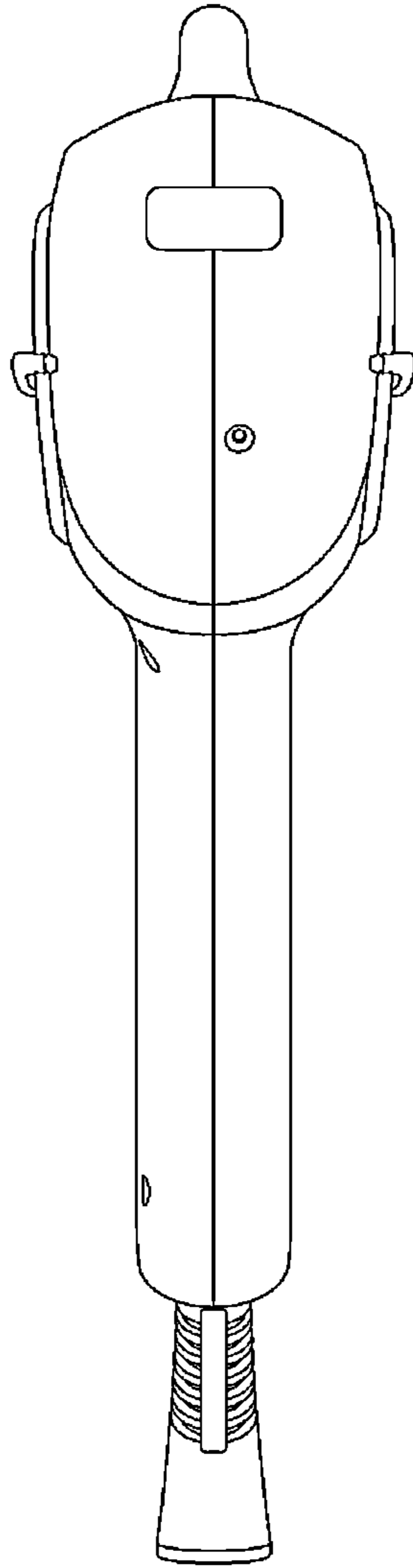


FIG. 5

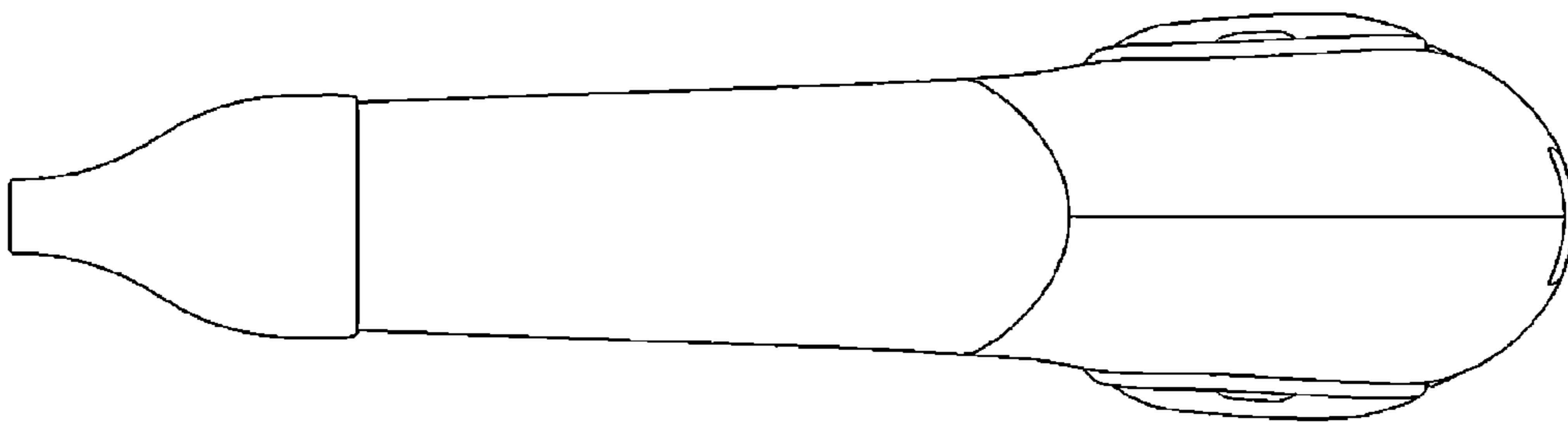


FIG. 6

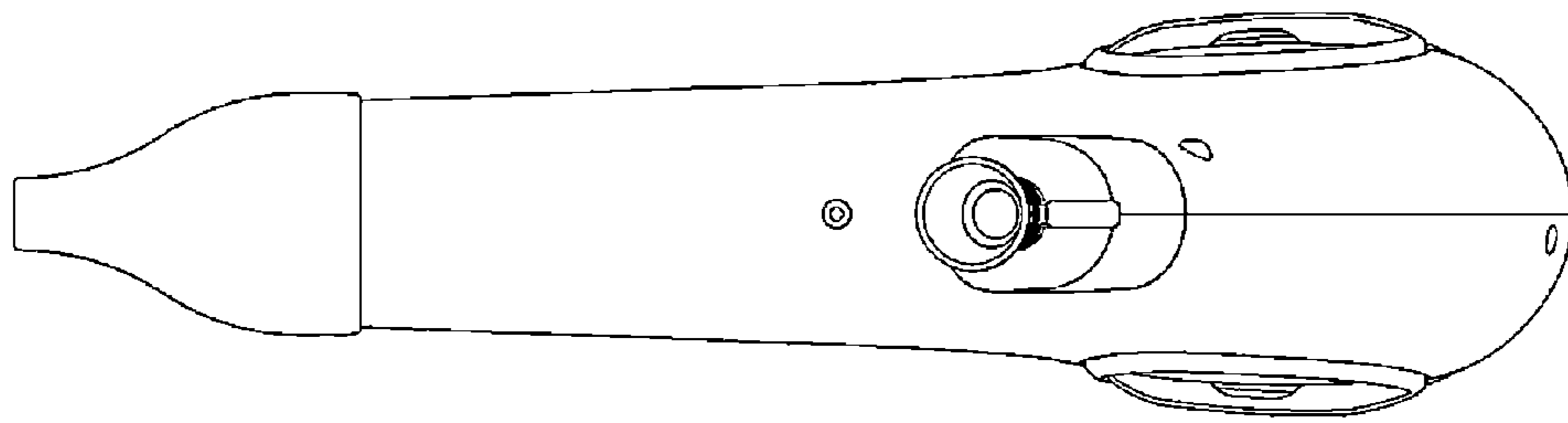


FIG. 7