



US00D715483S

(12) **United States Design Patent**
Ha et al.

(10) **Patent No.:** **US D715,483 S**

(45) **Date of Patent:** **** Oct. 14, 2014**

(54) **HAIR DRIER**

(71) Applicants: **Jong Suk Ha**, Incheon (KR); **Sung Oh Choi**, Seoul (KR)

(72) Inventors: **Jong Suk Ha**, Incheon (KR); **Sung Oh Choi**, Seoul (KR)

(**) Term: **14 Years**

(21) Appl. No.: **29/451,592**

(22) Filed: **Apr. 4, 2013**

(51) **LOC (10) Cl.** **28-03**

(52) **U.S. Cl.**
USPC **D28/13**

(58) **Field of Classification Search**
CPC A24D 20/12
USPC D28/12-19; 34/96-101; 392/380-385;
219/222; D23/238-243
See application file for complete search history.

(56) **References Cited**

U.S. PATENT DOCUMENTS

D286,087 S * 10/1986 Camens D28/13
D286,923 S * 11/1986 Tsuji D28/13

D341,904 S * 11/1993 Smal D28/15
5,457,894 A * 10/1995 Dorber 34/98
5,638,608 A * 6/1997 Dorber 34/283
5,715,847 A * 2/1998 Rolf et al. 132/271
D421,152 S * 2/2000 Kwok D28/18
D519,676 S * 4/2006 Keong D28/13
D537,566 S * 2/2007 Kondo et al. D28/13

* cited by examiner

Primary Examiner — Zenia Bennett

(74) *Attorney, Agent, or Firm* — East West Law Group;
Heedong Chae

(57) **CLAIM**

The ornamental design for a hair drier, as shown and described.

DESCRIPTION

FIG. 1 is a perspective view of a hair drier showing my new design;
FIG. 2 is a front elevational view thereof;
FIG. 3 is a rear elevational view thereof;
FIG. 4 is a left side elevational view thereof;
FIG. 5 is a right side elevational view thereof;
FIG. 6 is a top plan view thereof; and,
FIG. 7 is a bottom plan view thereof.

1 Claim, 6 Drawing Sheets

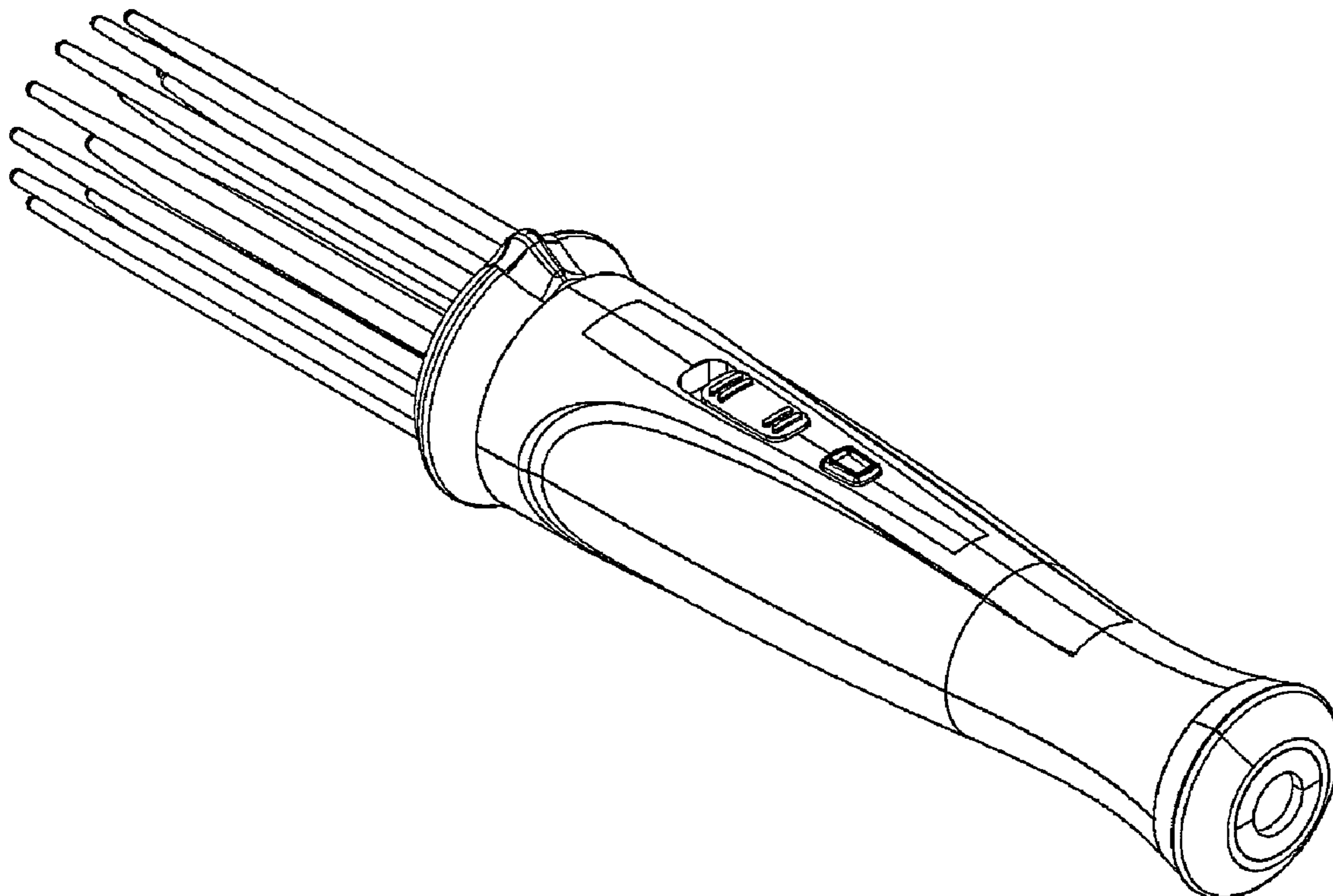


FIG. 1

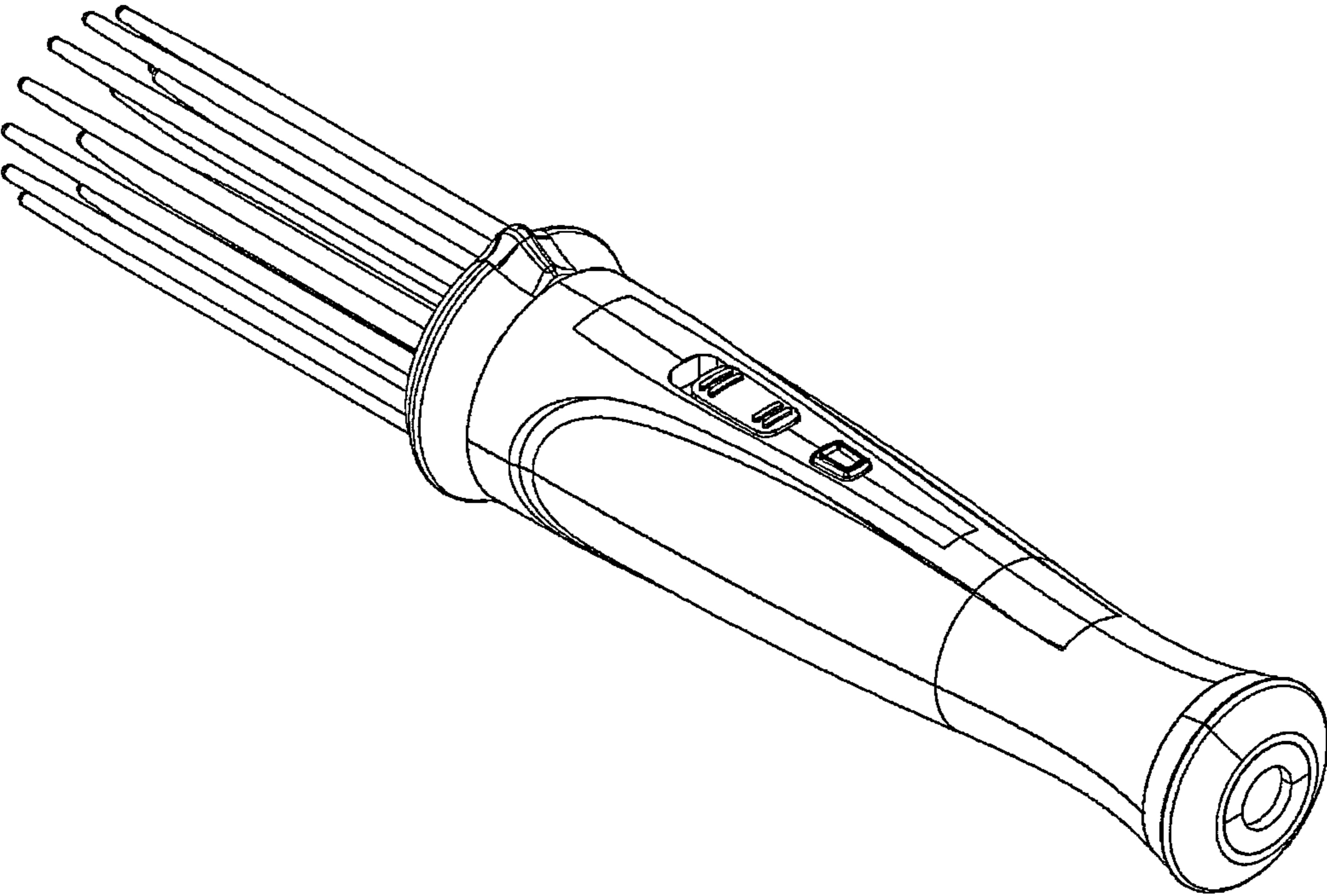


FIG. 2

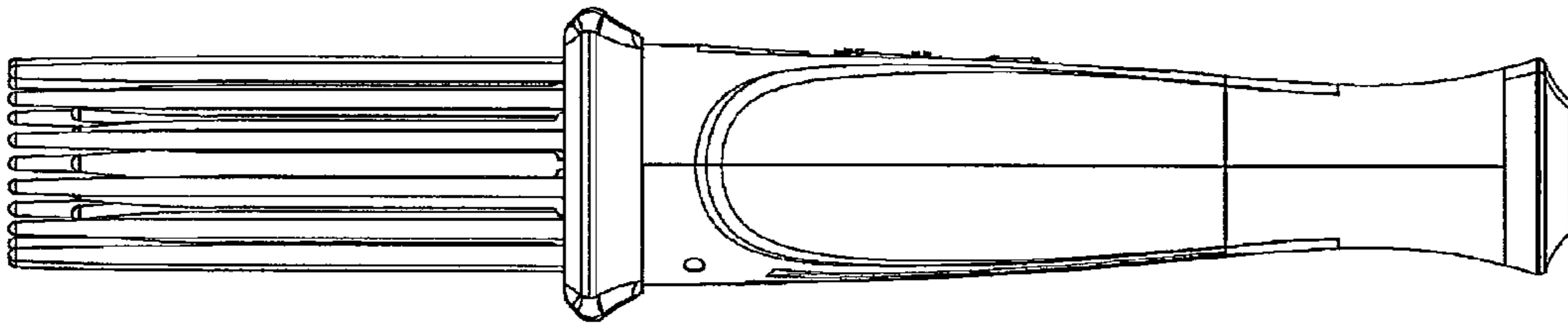


FIG. 3

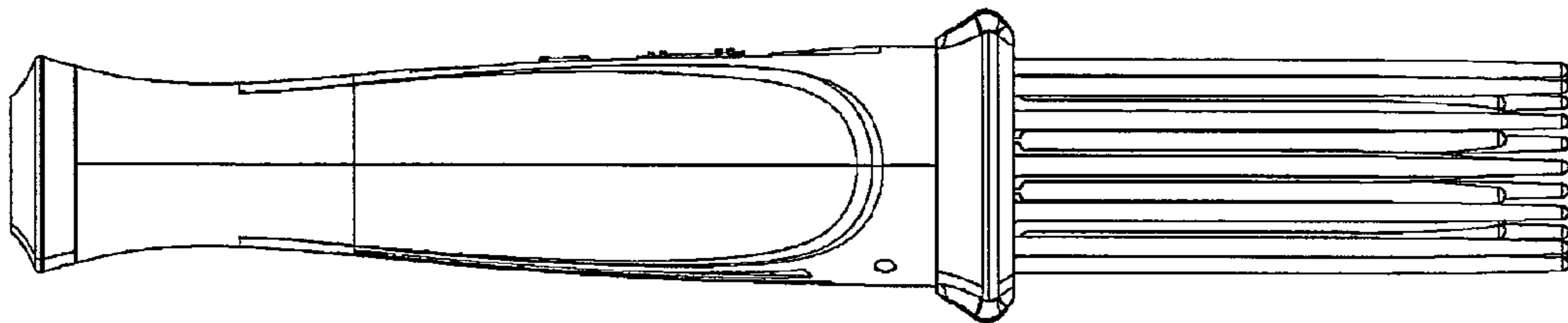


FIG. 4

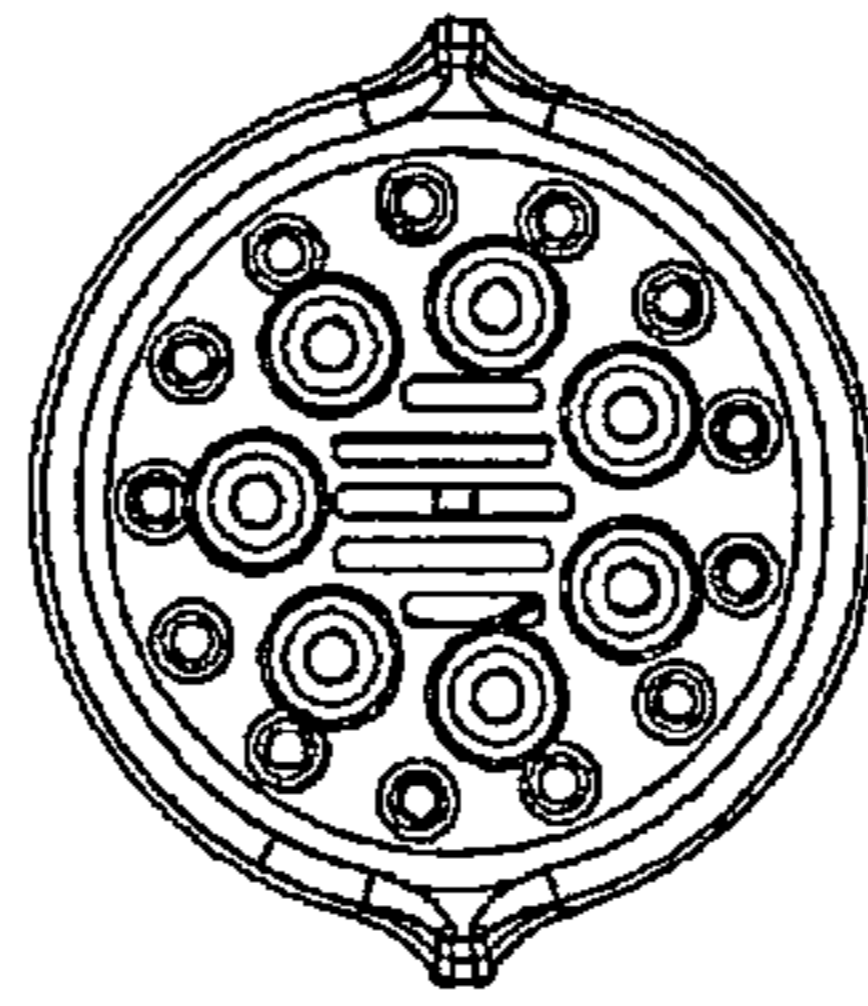


FIG. 5

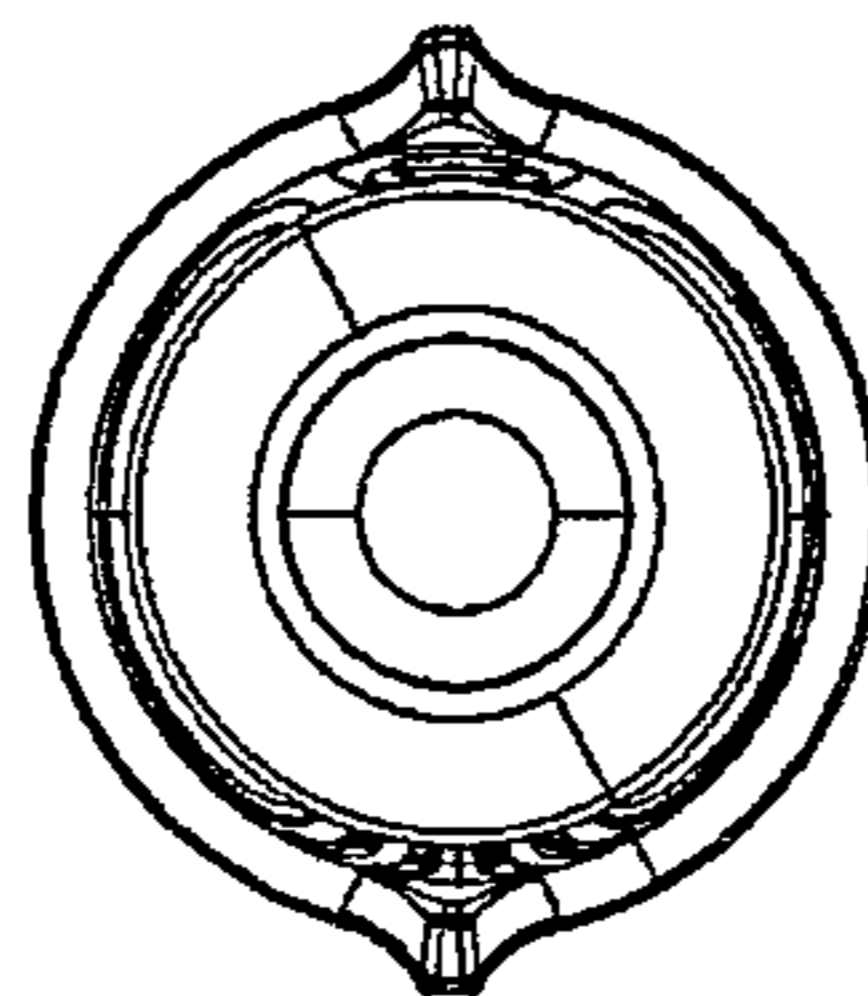


FIG. 6

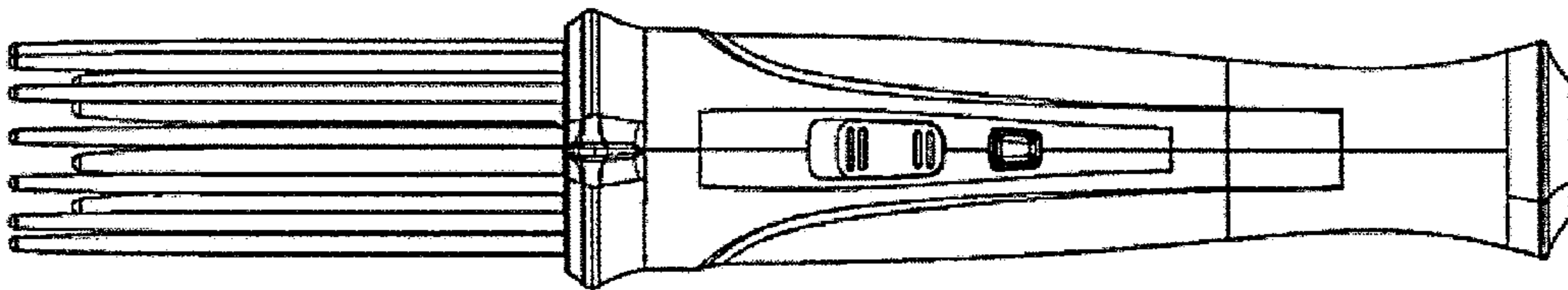


FIG. 7

