



US00D715480S

(12) **United States Design Patent**  
**Christ et al.**

(10) **Patent No.:** **US D715,480 S**  
(45) **Date of Patent:** **\*\* Oct. 14, 2014**

(54) **LIGHT EMITTING DIODE BARN LIGHT**

7,025,476 B2 4/2006 Leadford  
7,600,894 B1 10/2009 Simon  
D683,065 S \* 5/2013 Tuck ..... D26/118

(71) Applicants: **James Richard Christ**, Peachtree City, GA (US); **Adam Green**, Atlanta, GA (US)

(72) Inventors: **James Richard Christ**, Peachtree City, GA (US); **Adam Green**, Atlanta, GA (US)

(73) Assignee: **Cooper Technologies Company**, Houston, TX (US)

(\*\*) Term: **14 Years**

(21) Appl. No.: **29/439,031**

(22) Filed: **Dec. 5, 2012**

(51) **LOC (10) Cl.** ..... **26-99**

(52) **U.S. Cl.**  
USPC ..... **D26/118**

(58) **Field of Classification Search**  
USPC ..... D26/118-121; 362/149, 223-225, 362/217.03, 217.05  
See application file for complete search history.

(56) **References Cited**

**U.S. PATENT DOCUMENTS**

563,836 A 7/1896 Blondel et al.  
D425,652 S \* 5/2000 Brok ..... D26/118

**OTHER PUBLICATIONS**

Dust to Dawn Barn Light, Grandlite International, Product Brochure; <http://www.grandlite.com/images/Products-update-10-5-10/PDF/10-25-2010/ROADWAY/2007-06%20MV752.pdf>; Oct. 25, 2010.

\* cited by examiner

*Primary Examiner* — Marcus Jackson

(74) *Attorney, Agent, or Firm* — King & Spalding LLP

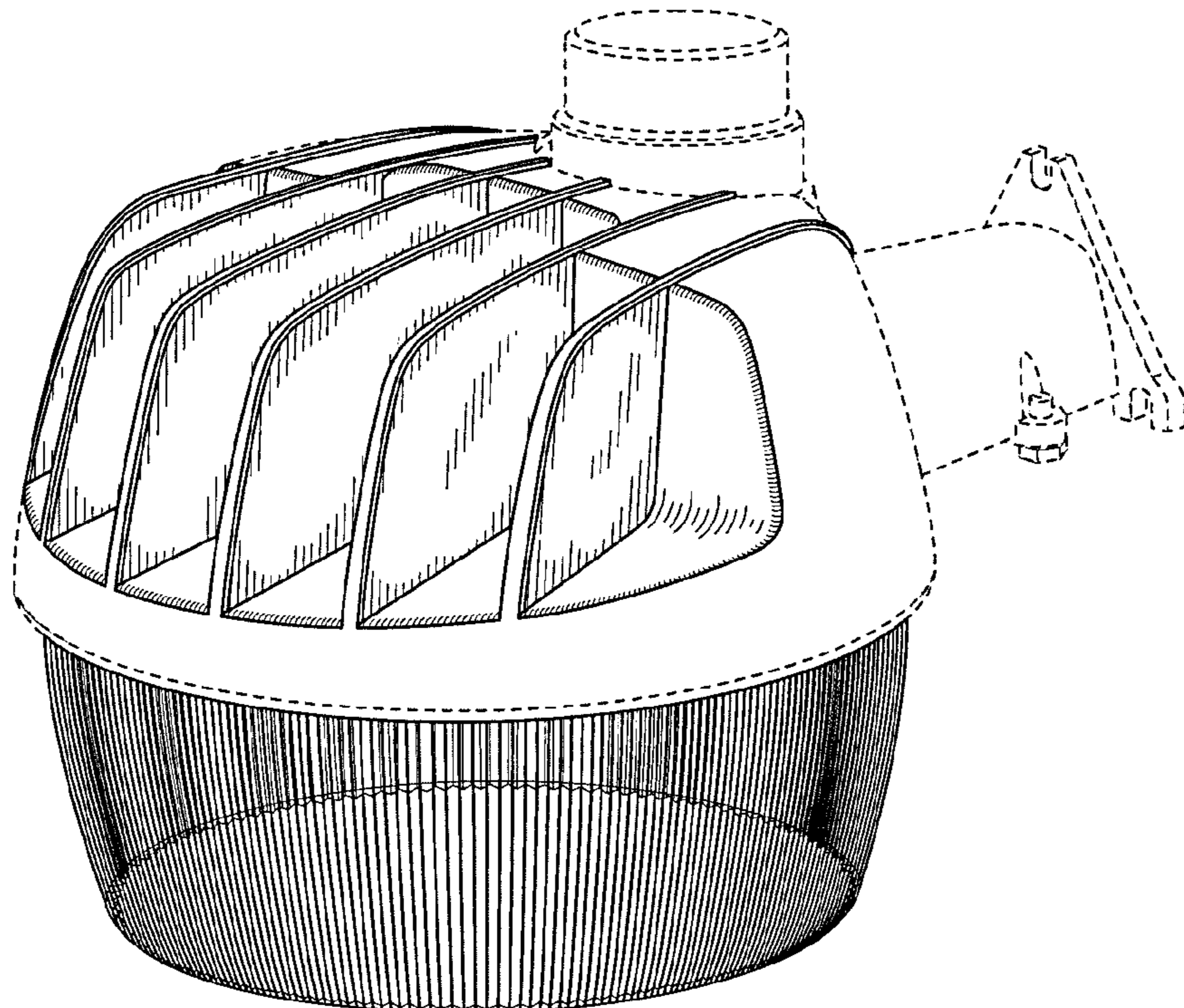
(57) **CLAIM**

The ornamental design for a light emitting diode barn light, as shown and described.

**DESCRIPTION**

FIG. 1 is a perspective view of a light emitting diode barn light, showing my new design; FIG. 2 is another perspective view thereof; FIG. 3 is a side view thereof; FIG. 4 is a back plan view thereof; FIG. 5 is a top plan view thereof; and, FIG. 6 is a bottom plan view thereof. The broken lines shown represent unclaimed subject matter and form no part of the claimed design.

**1 Claim, 3 Drawing Sheets**



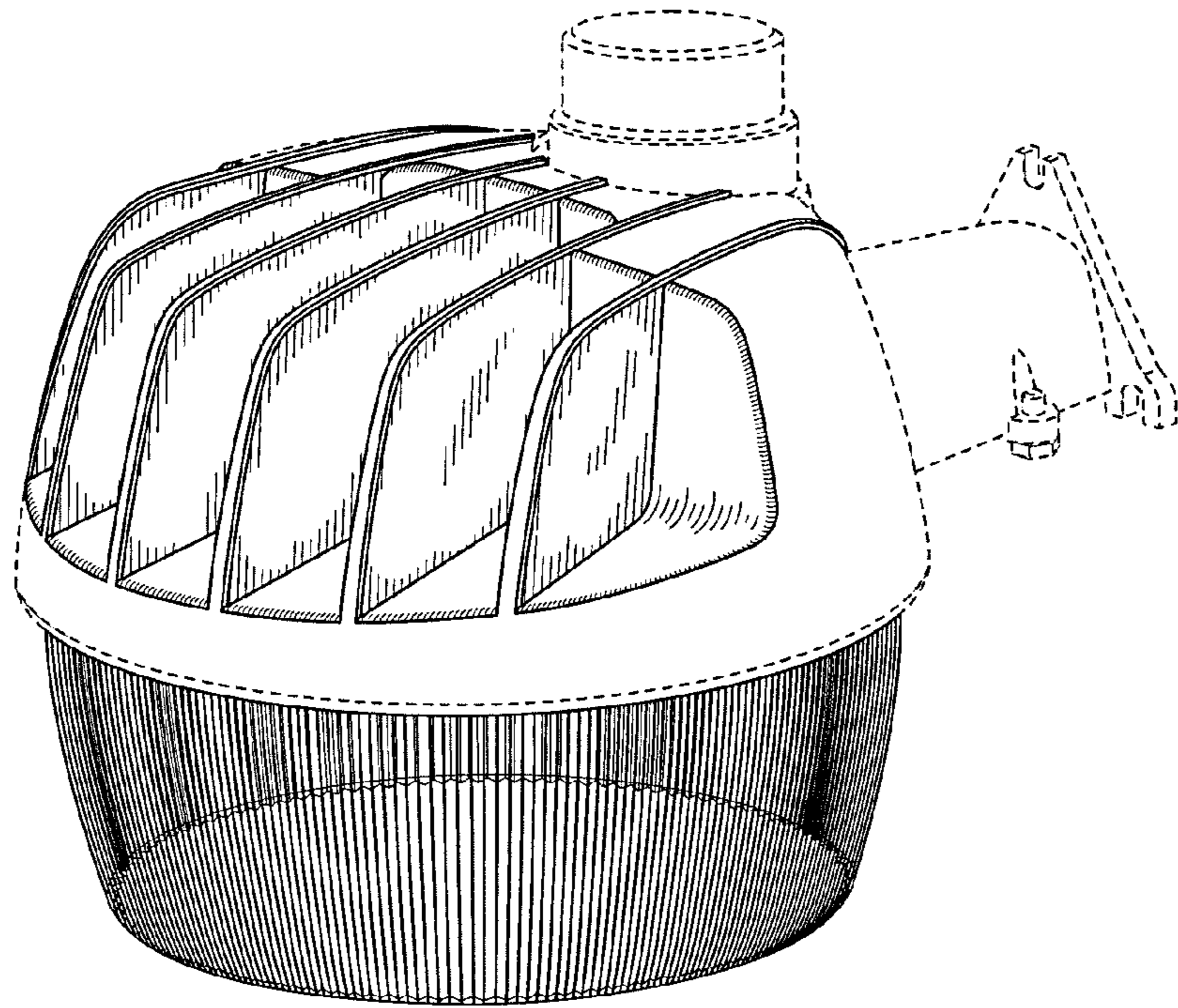


FIG. 1

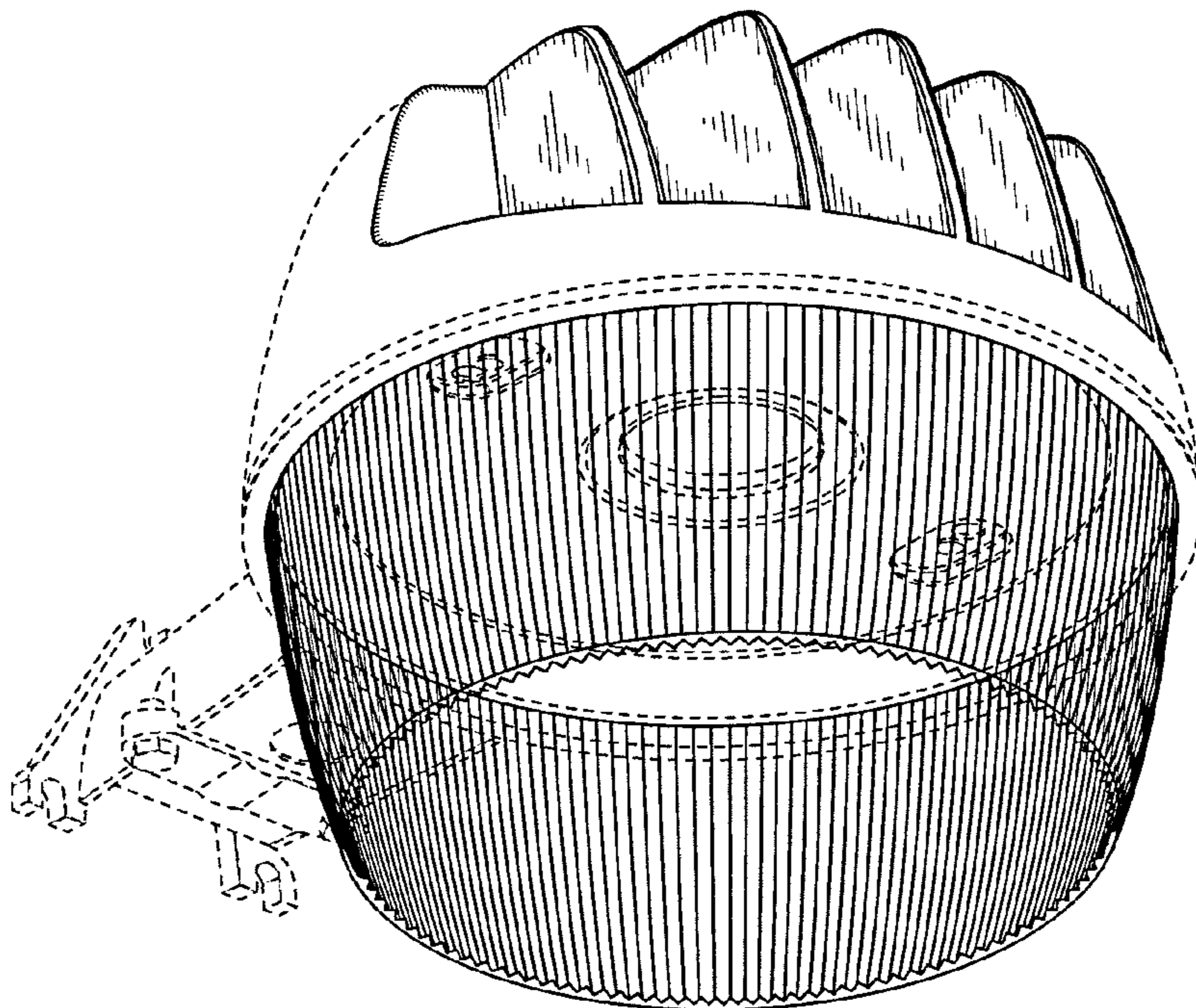
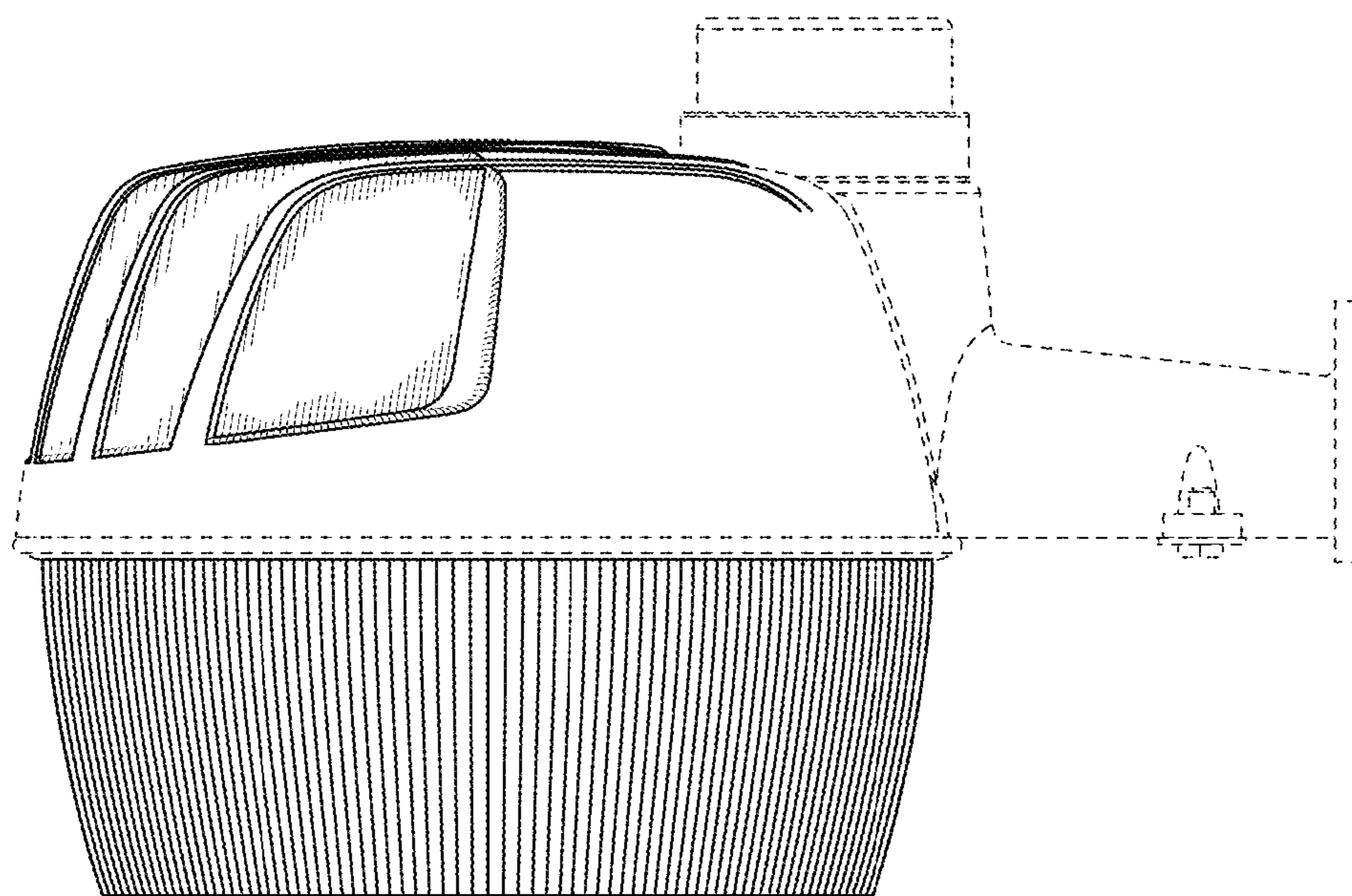
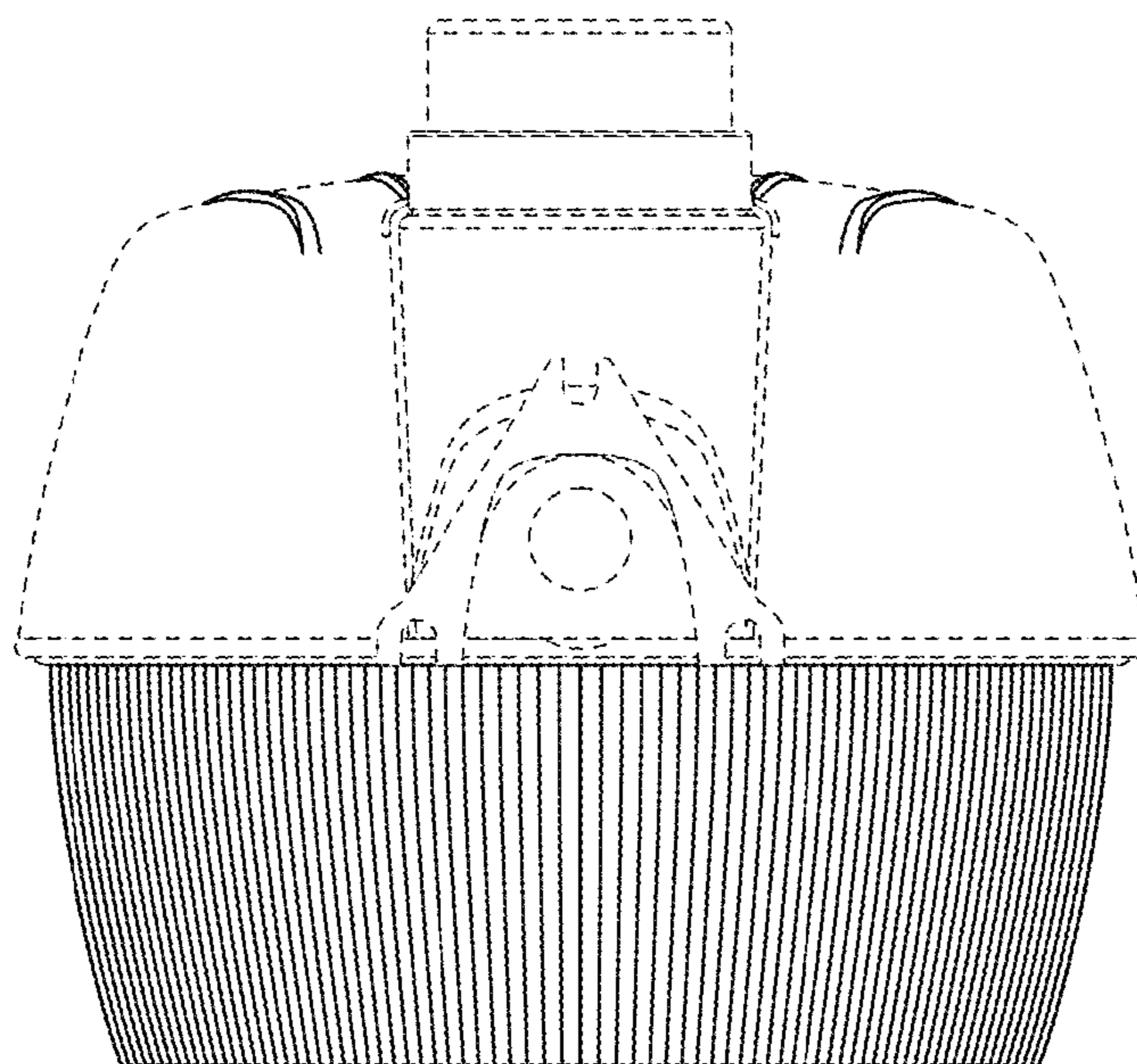


FIG. 2

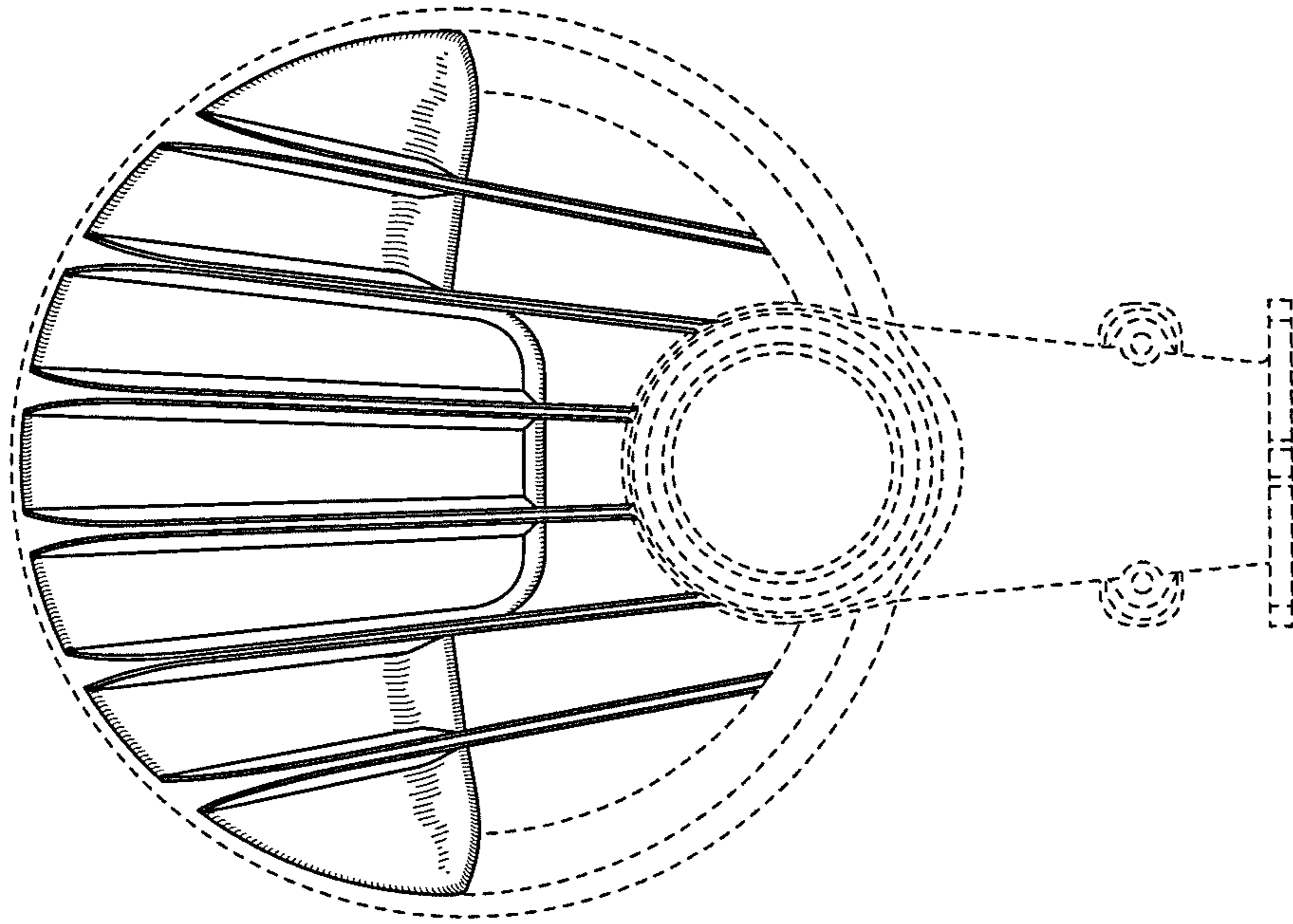




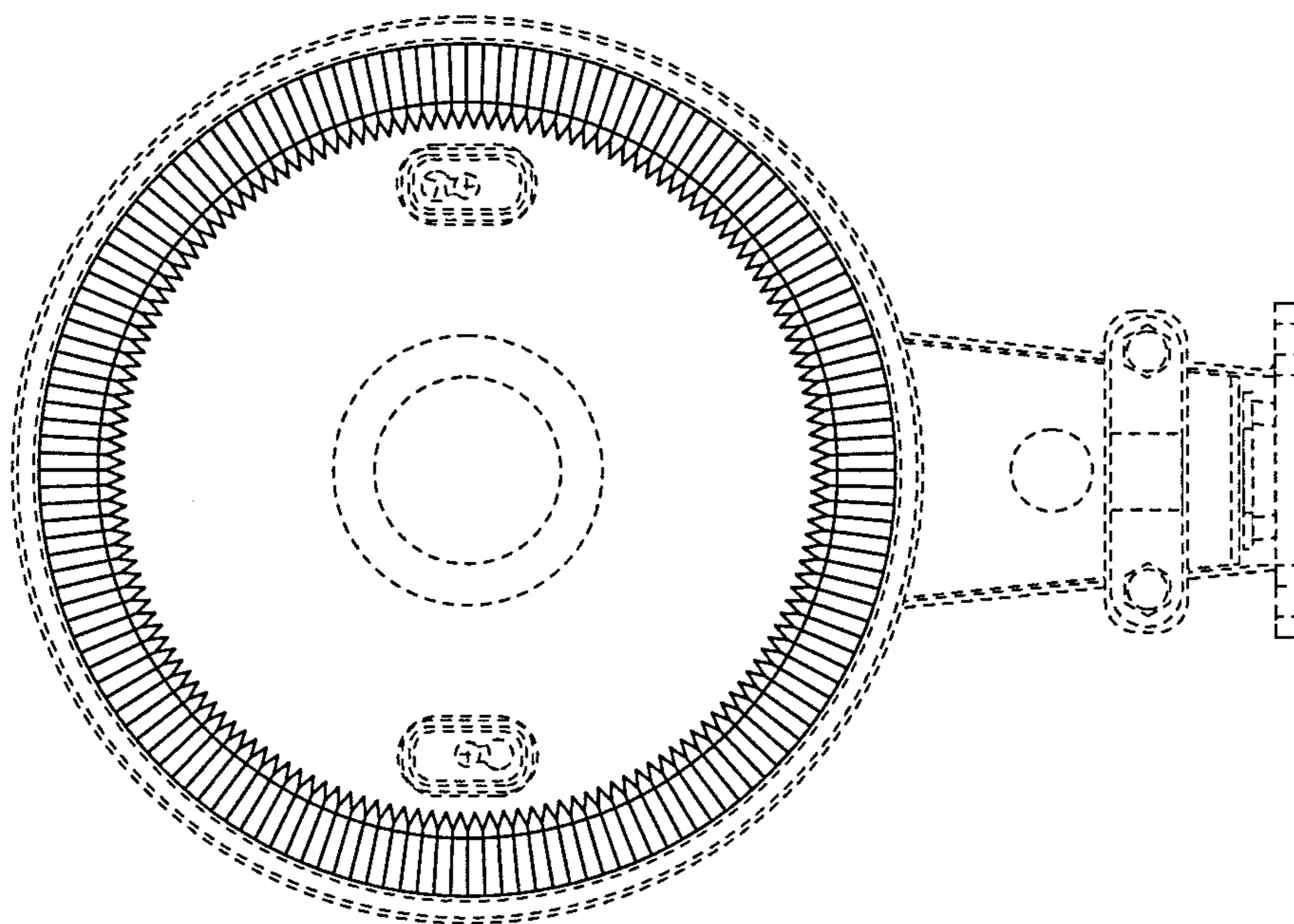
**FIG. 3**



**FIG. 4**



**FIG. 5**



**FIG. 6**