



US00D715479S

(12) **United States Design Patent**  
**Johnston**

(10) **Patent No.:** **US D715,479 S**  
(45) **Date of Patent:** **\*\* Oct. 14, 2014**

- (54) **LIGHT-GENERATING SYSTEM**
- (71) Applicant: **John F. Johnston**, Paris (CA)
- (72) Inventor: **John F. Johnston**, Paris (CA)
- (\*\*) Term: **14 Years**
- (21) Appl. No.: **29/435,712**
- (22) Filed: **Oct. 26, 2012**
- (51) **LOC (10) Cl.** ..... **26-99**
- (52) **U.S. Cl.**  
USPC ..... **D26/113; D26/118**
- (58) **Field of Classification Search**  
USPC ..... D26/1, 2, 5-7, 9-11, 16, 24-26, 28, 36,  
D26/46, 50, 51, 55-59, 60, 61, 63, 64,  
D26/66-86, 88, 89-93, 104, 105, 107, 108,  
D26/113, 118-122, 125, 128-130, 134,  
D26/138; 362/217.01, 218, 224, 294, 345,  
362/373, 546, 547, 800; D13/179, 180;  
165/80.3, 104.33, 122, 151, 185;  
257/706, 707, 718-722; 361/696, 697,  
361/702, 709  
See application file for complete search history.

7,487,824	B2 *	2/2009	Lin et al.	.....	165/80.3
7,494,248	B2 *	2/2009	Li	.....	362/294
7,495,913	B1 *	2/2009	Liu et al.	.....	361/697
7,521,872	B2	4/2009	Bruning		
7,548,423	B2 *	6/2009	Kuo	.....	361/697
D614,794	S *	4/2010	Sabernig	.....	D26/89
7,695,161	B2	4/2010	Zhang et al.		
7,712,918	B2	5/2010	Siermiet et al.		
7,722,217	B2	5/2010	Chen		
7,722,221	B2	5/2010	Chae		
7,796,387	B2 *	9/2010	Deng et al.	.....	361/697
7,828,963	B1 *	11/2010	Neibert et al.	.....	210/167.12
7,832,909	B2 *	11/2010	Wang	.....	362/373
D650,926	S *	12/2011	Lai et al.	.....	D26/2
8,157,416	B2 *	4/2012	Lodhie	.....	362/800
8,188,685	B1	5/2012	Johnston		
D662,622	S *	6/2012	Yamamoto et al.	.....	D26/2
D663,464	S *	7/2012	Lee	.....	D26/72
D663,867	S *	7/2012	Yu	.....	D26/2
8,279,604	B2 *	10/2012	Jones et al.	.....	165/104.33

(Continued)

*Primary Examiner* — Garth Rademaker  
*Assistant Examiner* — LLorelys Martinez-Rivera  
(74) *Attorney, Agent, or Firm* — McCarter & English LLP

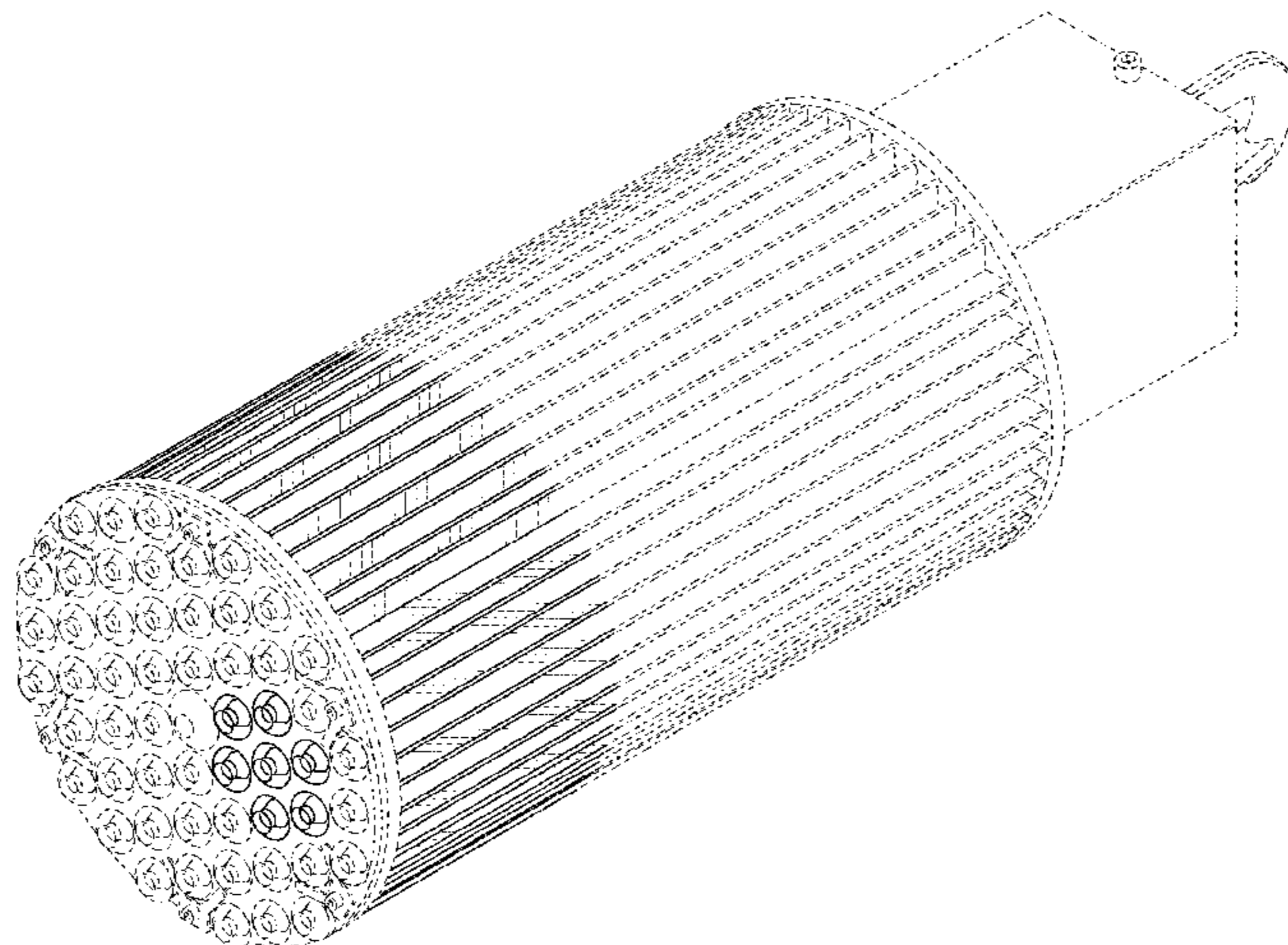
(57) **CLAIM**  
The ornamental design for a light-generating system, as shown and described.

- (56) **References Cited**  
U.S. PATENT DOCUMENTS
- D271,906 S \* 12/1983 Zabransky ..... D26/2
- D315,030 S \* 2/1991 Jacobs et al. .... D26/63
- D360,965 S \* 8/1995 Cullen et al. .... D26/63
- D388,726 S \* 1/1998 Wu ..... D26/2
- 6,028,694 A 2/2000 Schmidt
- 6,030,103 A \* 2/2000 Gampe et al. .... 362/804
- 6,233,146 B1 \* 5/2001 Gilchrist et al. .... 361/696
- 6,502,956 B1 \* 1/2003 Wu ..... 362/800
- 6,552,902 B2 \* 4/2003 Cho et al. .... 165/185
- 7,030,486 B1 \* 4/2006 Marshall ..... 361/697
- 7,038,913 B2 \* 5/2006 Lee et al. .... 361/709
- 7,049,761 B2 5/2006 Timmermans et al.
- 7,126,821 B2 \* 10/2006 Patel et al. .... 361/697

**DESCRIPTION**

FIG. 1 is a perspective view of a light-generating system showing the present invention;  
FIG. 2 is a right elevational view thereof;  
FIG. 3 is a left elevational view thereof;  
FIG. 4 is a top plan view thereof;  
FIG. 5 is a bottom plan view thereof;  
FIG. 6 is a front elevational view thereof; and,  
FIG. 7 is a rear elevational view thereof.  
The broken lines in the figures show structure or boundaries that are not part of the claimed design.

**1 Claim, 6 Drawing Sheets**



(56)

**References Cited**

U.S. PATENT DOCUMENTS

2004/0196632	A1 *	10/2004	Chen et al. ....	361/697	2008/0223567	A1 *	9/2008	Liang .....	165/185
2007/0199677	A1 *	8/2007	Hwang et al. ....	165/80.3	2009/0073656	A1 *	3/2009	Otsuki et al. ....	361/697
2008/0055909	A1 *	3/2008	Li .....	362/294	2010/0091395	A1 *	4/2010	Huang .....	359/850
2008/0192436	A1 *	8/2008	Peng et al. ....	361/709	2010/0288686	A1 *	11/2010	Neibert .....	210/167.11
					2011/0050100	A1	3/2011	Bailey et al.	
					2013/0160980	A1 *	6/2013	Chen et al. ....	165/185

\* cited by examiner

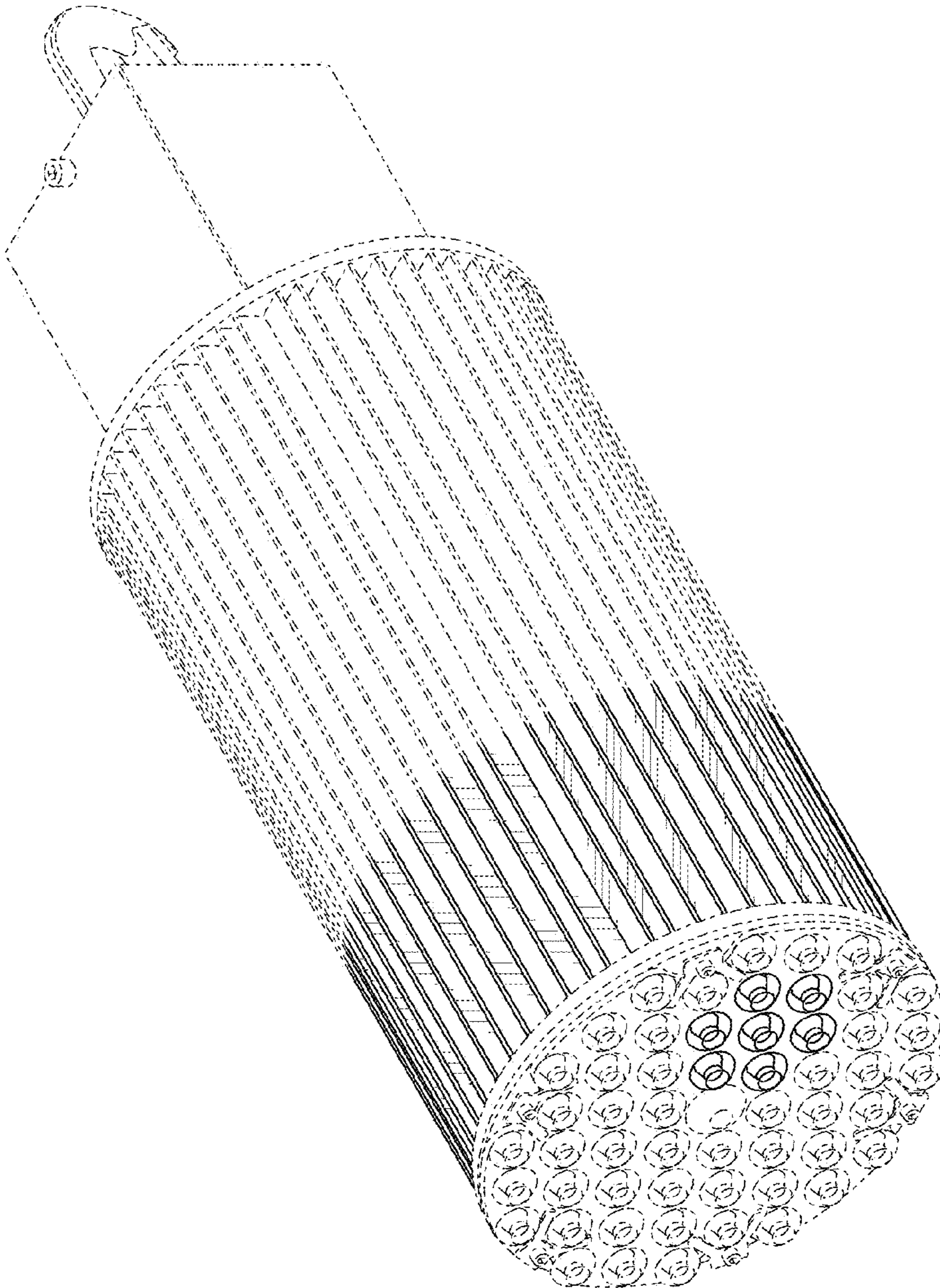


FIG. 1



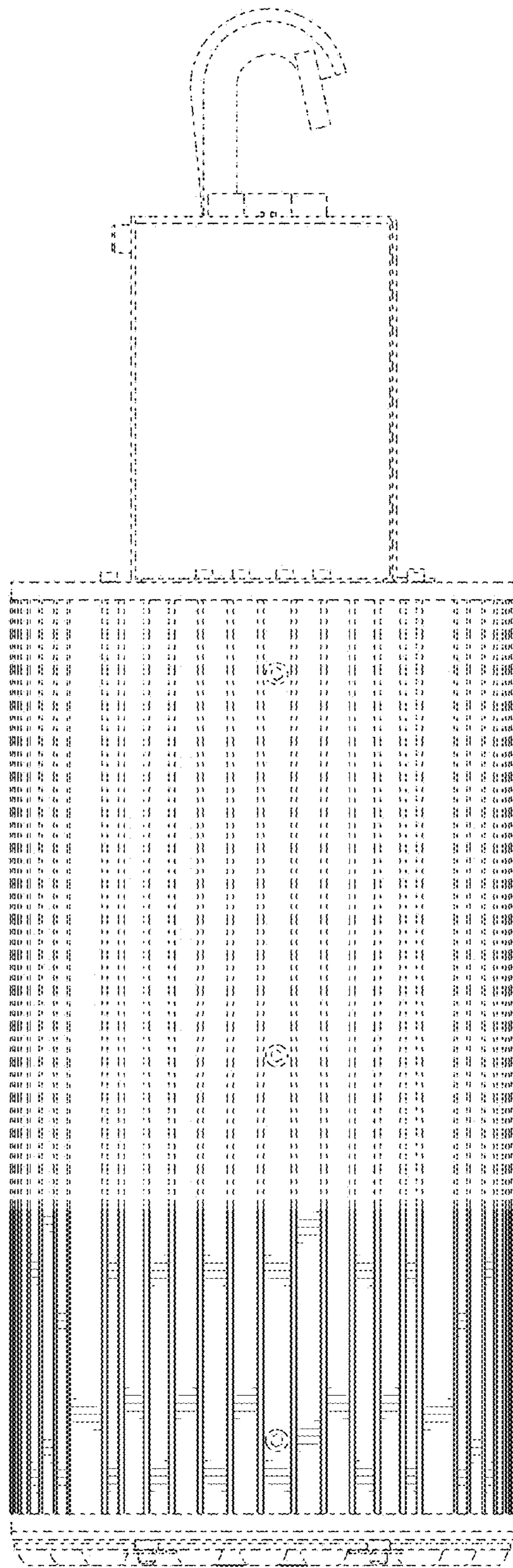


FIG. 2

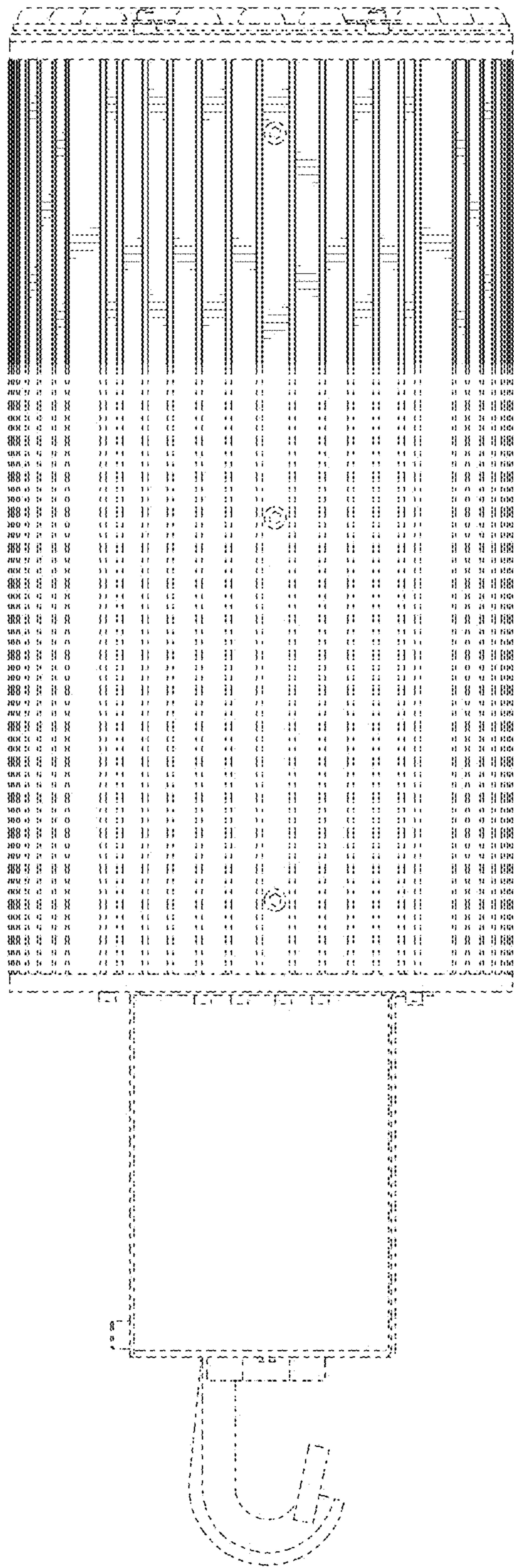


FIG. 3

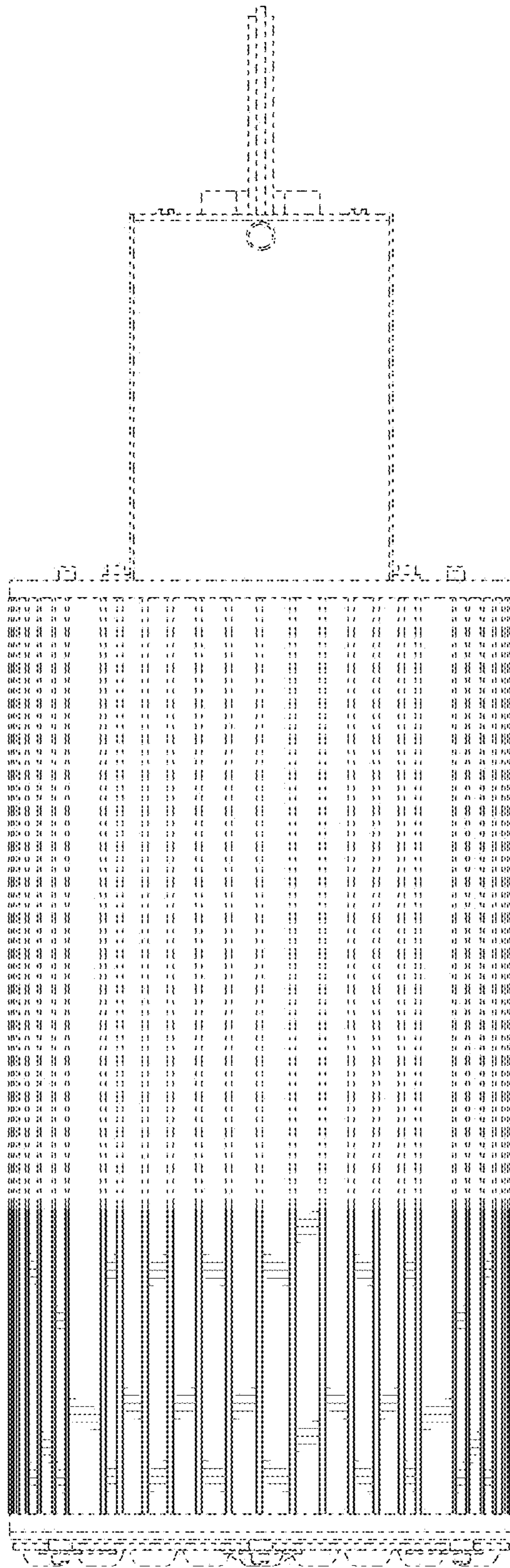


FIG. 4



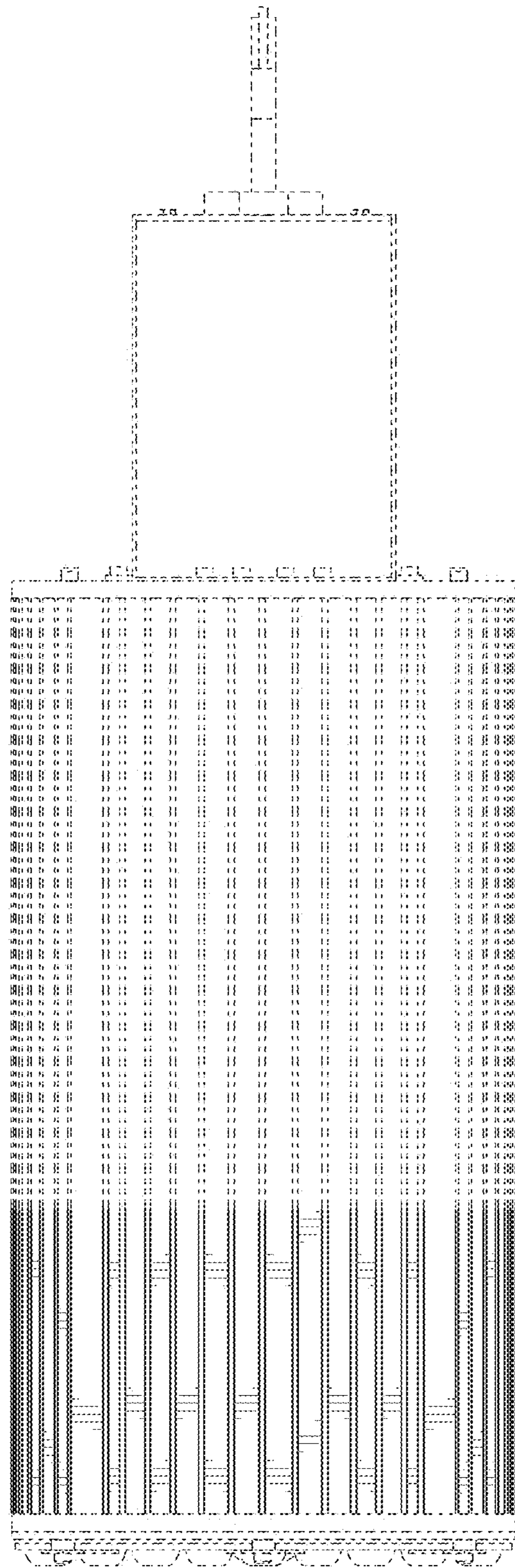


FIG. 5

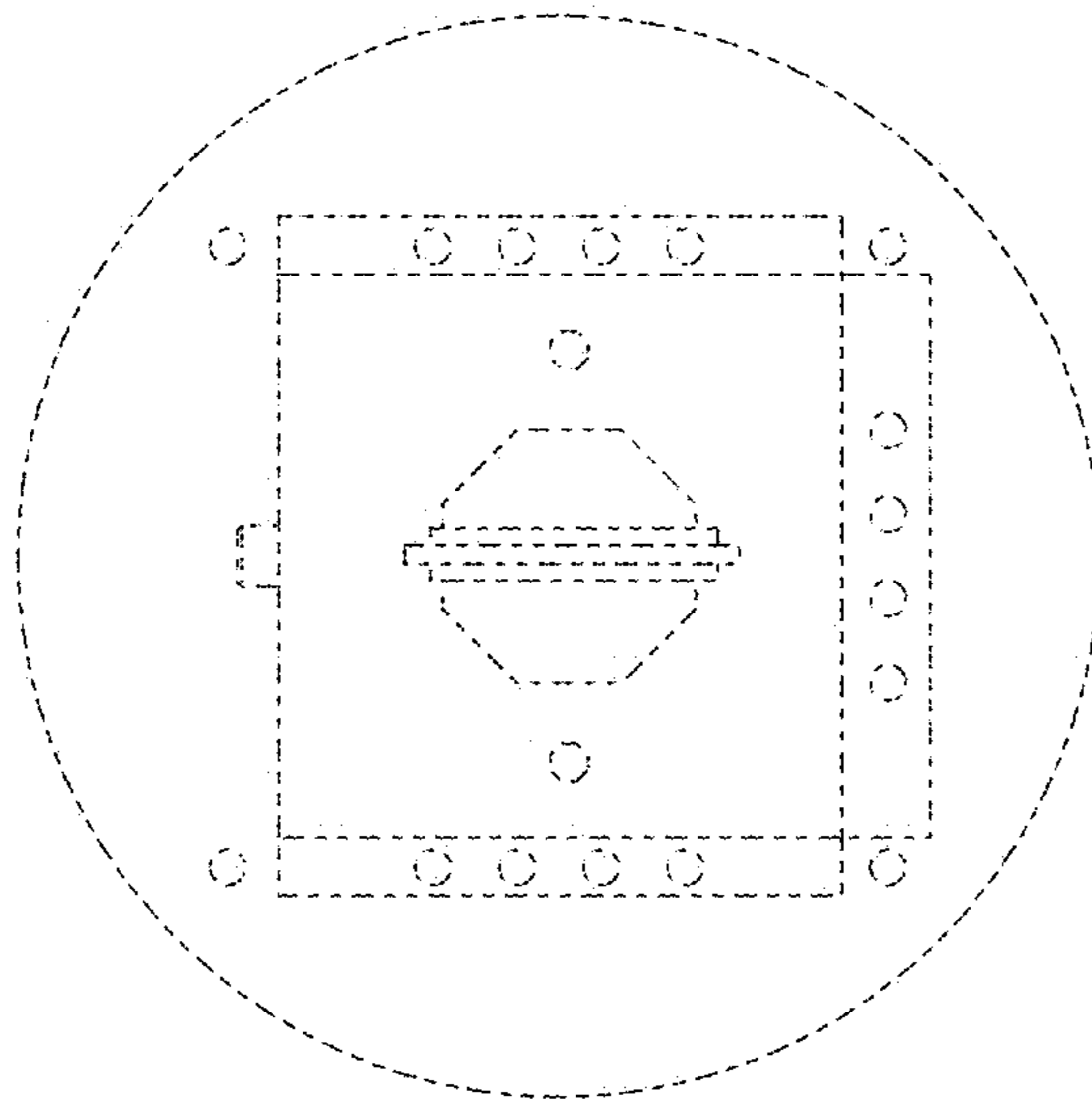


FIG. 7

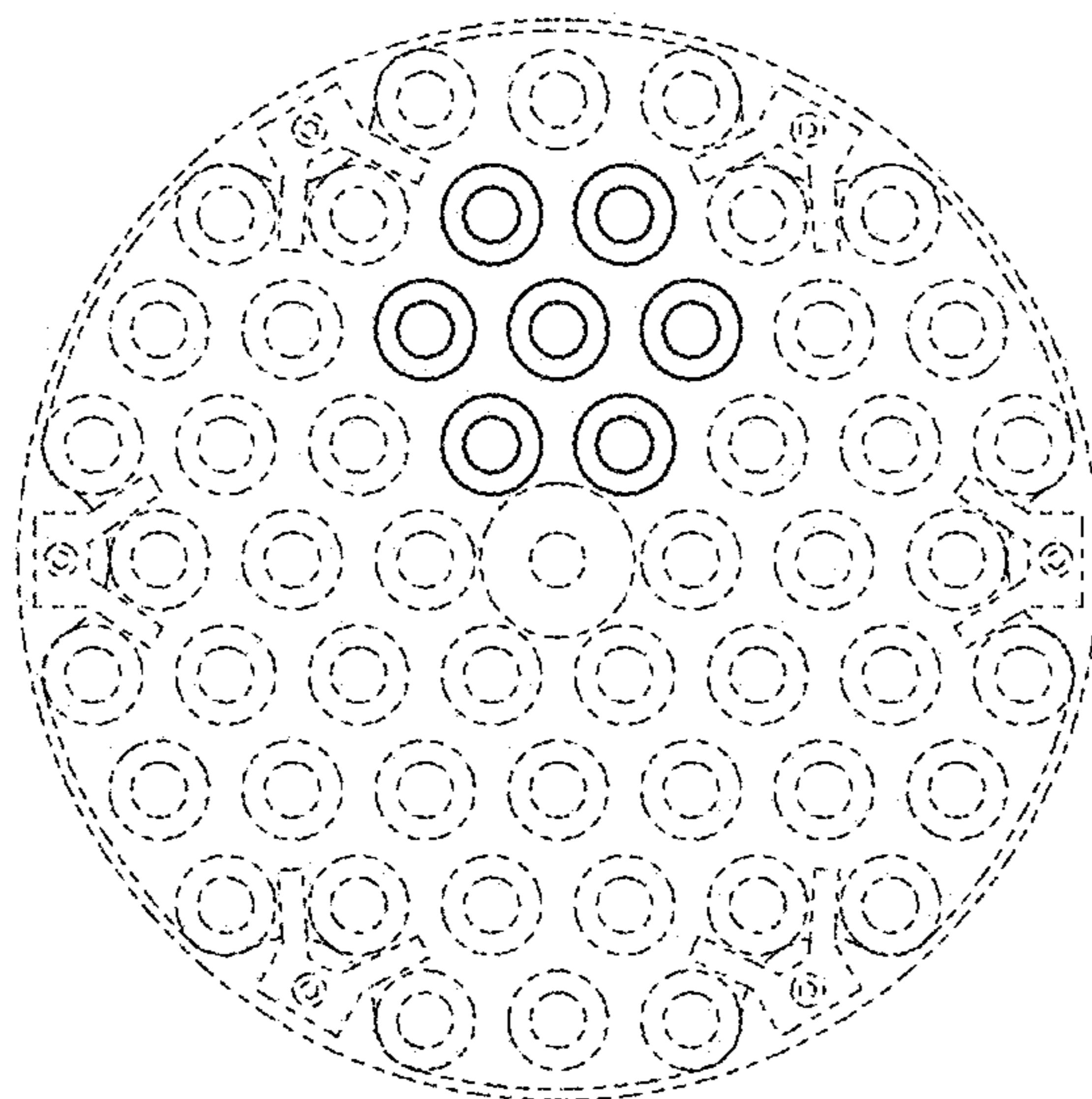


FIG. 6