



US00D715478S

(12) **United States Design Patent**  
**Blum et al.**

(10) **Patent No.:** **US D715,478 S**

(45) **Date of Patent:** **\*\* Oct. 14, 2014**

(54) **WALL MOUNTED LIGHTING FIXTURE**

(71) Applicant: **ABL IP Holding, LLC**, Conyers, GA (US)

(72) Inventors: **Darren Blum**, San Mateo, CA (US);  
**Michael Trung Tran**, Oakland, CA (US); **Peter Y. Y. Ngai**, Alamo, CA (US);  
**Min-Hao Michael Lu**, Castro Valley, CA (US)

(73) Assignee: **ABL IP Holding, LLC**, Conyers, GA (US)

(\*\*) Term: **14 Years**

(21) Appl. No.: **29/465,819**

(22) Filed: **Aug. 30, 2013**

(51) **LOC (10) Cl.** ..... **26-03**

(52) **U.S. Cl.**  
USPC ..... **D26/85**

(58) **Field of Classification Search**  
CPC ..... F21S 8/04; F21V 21/02; F21V 29/02;  
F21V 17/08; F21V 17/10; F21V 17/06  
USPC ..... D26/72, 85, 89, 120; 362/84, 147, 350,  
362/404-408, 453-456, 373  
See application file for complete search history.

(56) **References Cited**

U.S. PATENT DOCUMENTS

|                |         |              |       |            |
|----------------|---------|--------------|-------|------------|
| D303,849 S *   | 10/1989 | Nugent       | ..... | D26/85     |
| D437,962 S *   | 2/2001  | Thomas, Jr.  | ..... | D26/87     |
| D564,695 S *   | 3/2008  | Krause       | ..... | D26/86     |
| D589,639 S *   | 3/2009  | Silver       | ..... | D26/85     |
| D599,944 S *   | 9/2009  | Sabernig     | ..... | D26/74     |
| D626,282 S *   | 10/2010 | Sabernig     | ..... | D26/120    |
| D674,952 S *   | 1/2013  | Crosby       | ..... | D26/85     |
| D689,646 S *   | 9/2013  | Nankil       | ..... | D26/85     |
| D690,871 S *   | 10/2013 | Kitts        | ..... | D26/85     |
| 8,550,661 B2 * | 10/2013 | Sonobe       | ..... | 362/249.06 |
| 8,591,072 B2 * | 11/2013 | Shani et al. | ..... | 362/296.01 |

|                |        |                  |       |         |
|----------------|--------|------------------|-------|---------|
| D701,634 S *   | 3/2014 | Tomlinson et al. | ..... | D26/85  |
| 8,723,403 B2 * | 5/2014 | Sun et al.       | ..... | 313/110 |
| 8,735,914 B2 * | 5/2014 | Agatani et al.   | ..... | 362/84  |

\* cited by examiner

*Primary Examiner* — Clare E Heflin

(74) *Attorney, Agent, or Firm* — Beeson Skinner Beverly, LLP

(57) **CLAIM**

The ornamental design for a wall mounted lighting fixture, as shown and described.

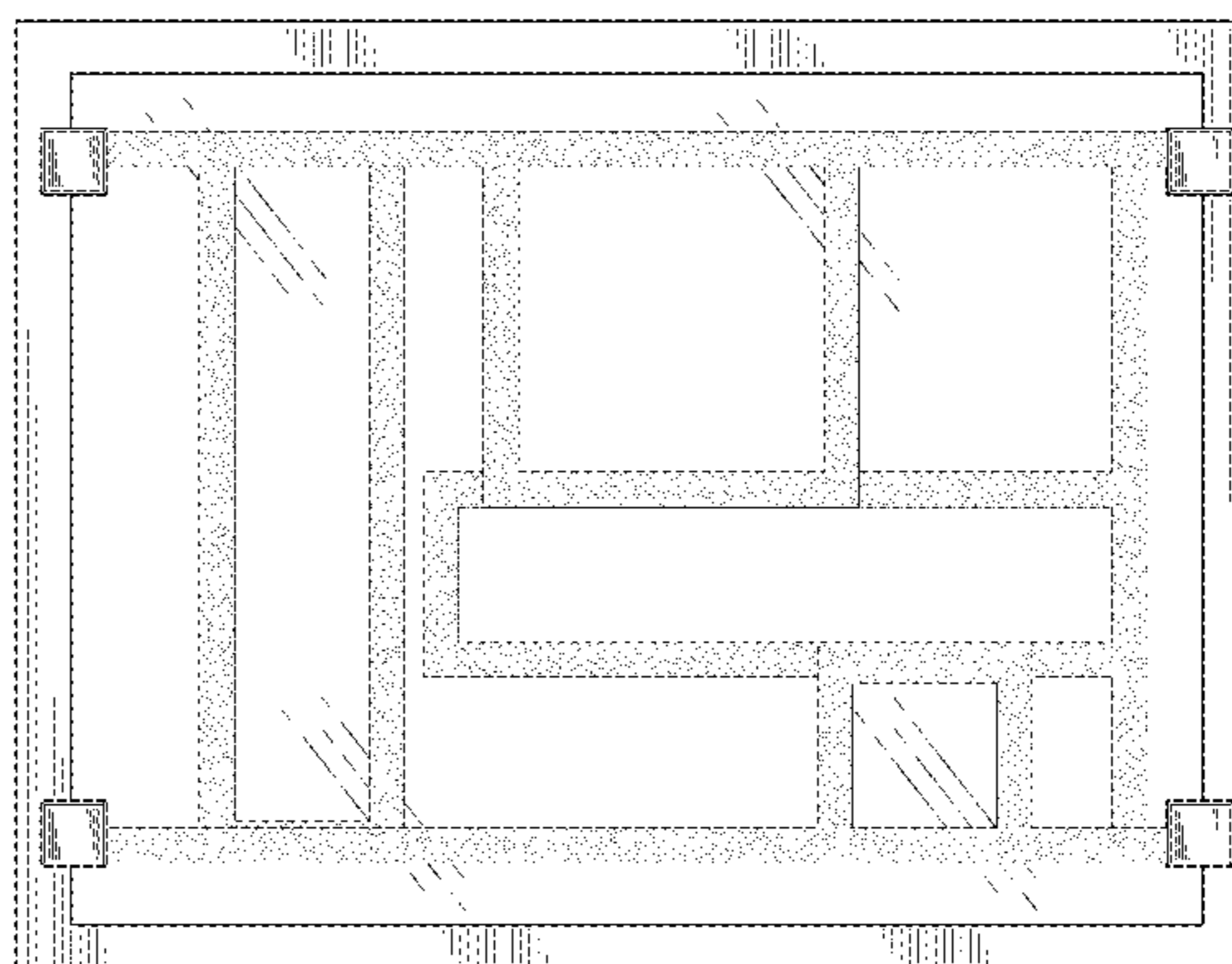
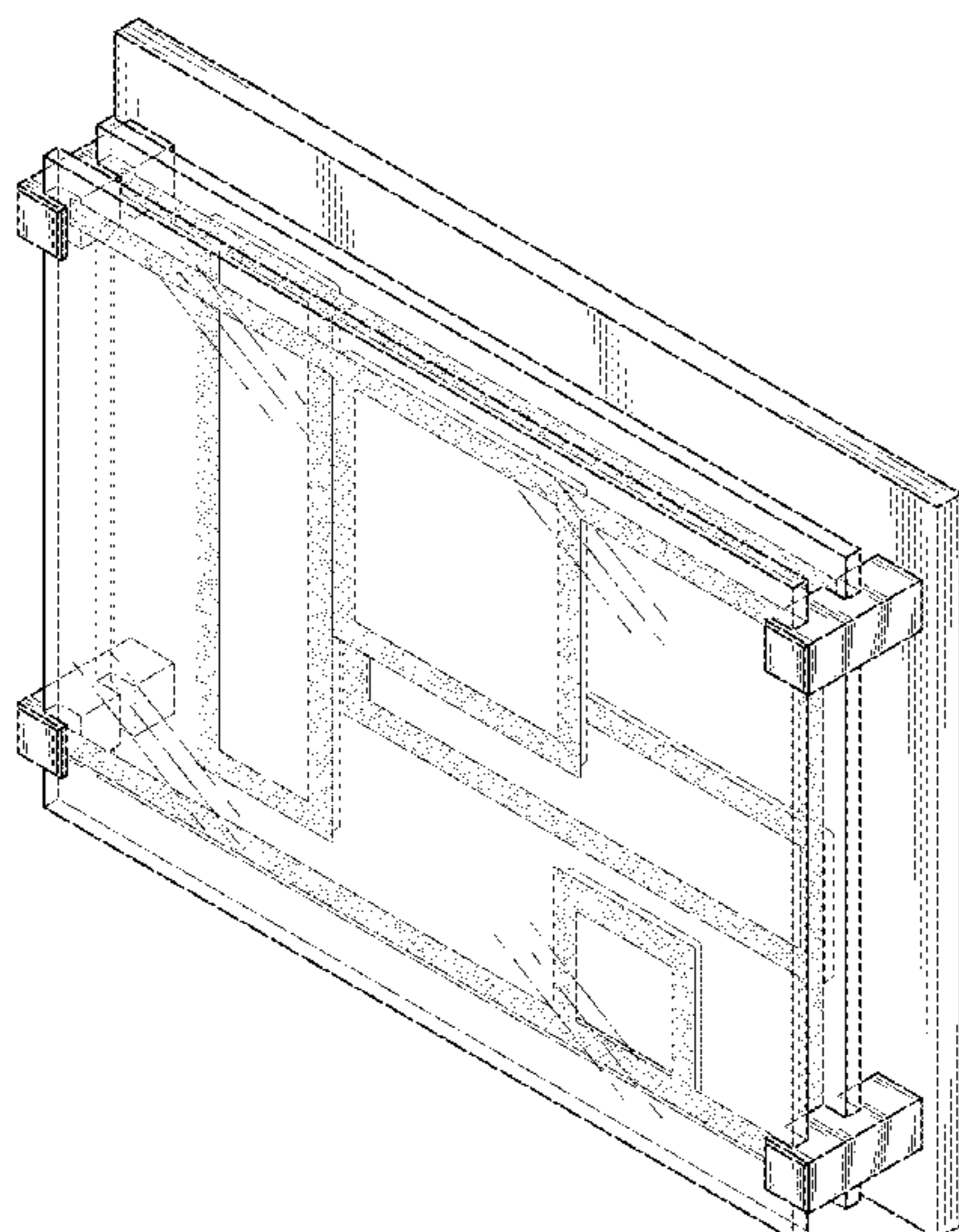
**DESCRIPTION**

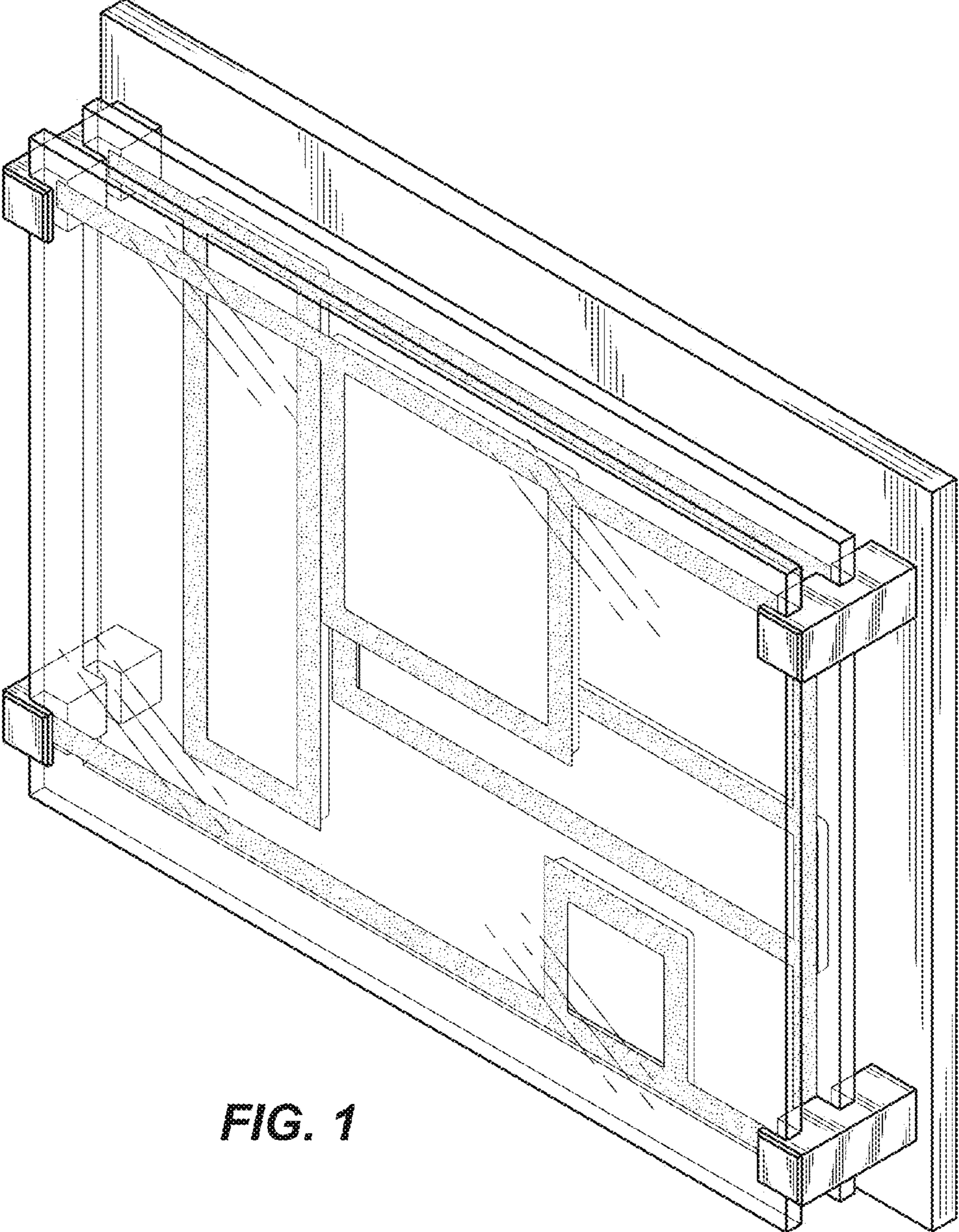
FIG. 1 is a top front perspective view of a wall mounted lighting fixture showing our new design; FIG. 2 is a front elevational view thereof; FIG. 3 is a right side elevational view thereof; FIG. 4 is a back end elevational view thereof; FIG. 5 is a left side elevational view thereof; FIG. 6 is a top plan view thereof; and, FIG. 7 is a bottom plan view thereof.

The broken line rectangle shown in FIG. 4 denotes the boundary of the design and forms no part of the claimed design.

The claimed design is a wall mounted lighting fixture as shown which includes a back mounting plate and transparent plates supported one in front of the other on the back mounting plate by four corner posts. Flat area light sources, such as OLED panels, are affixed to the backs of each of the transparent plates to provide a pattern of flat area light sources on each of the transparent plates as shown. The areas of fine stippling shown in FIGS. 1 and 2 represent a decorative pattern of opaque masked areas on the back surfaces of each of the fixture's transparent plates. The masked areas surround the edges of the flat area light sources and extend to the corner posts. The wall mounted lighting fixture can be wired through selected ones of the corner posts, and wires or conductor traces can extend from the corner posts to the flat area light sources behind the masked areas of the transparent plates.

**1 Claim, 4 Drawing Sheets**





**FIG. 1**

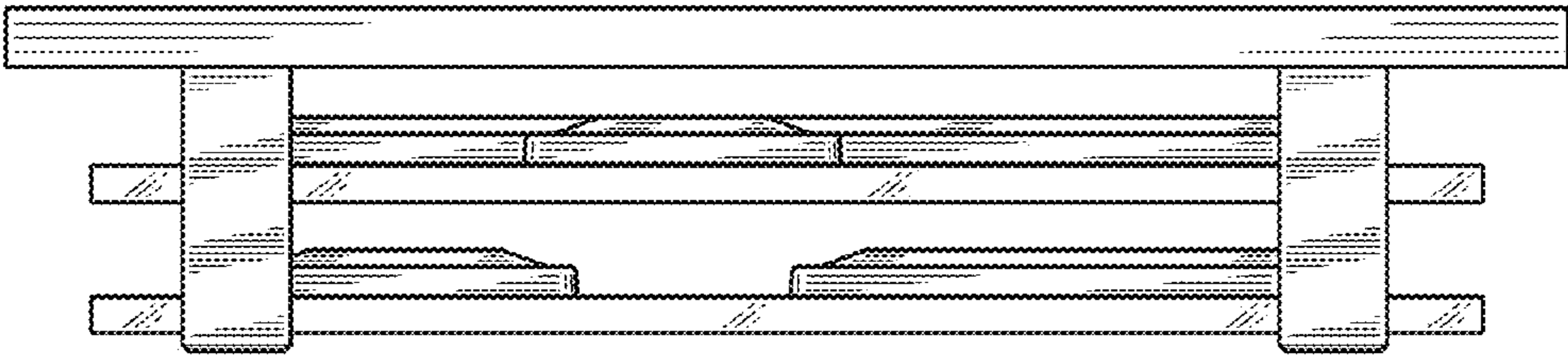


FIG. 3

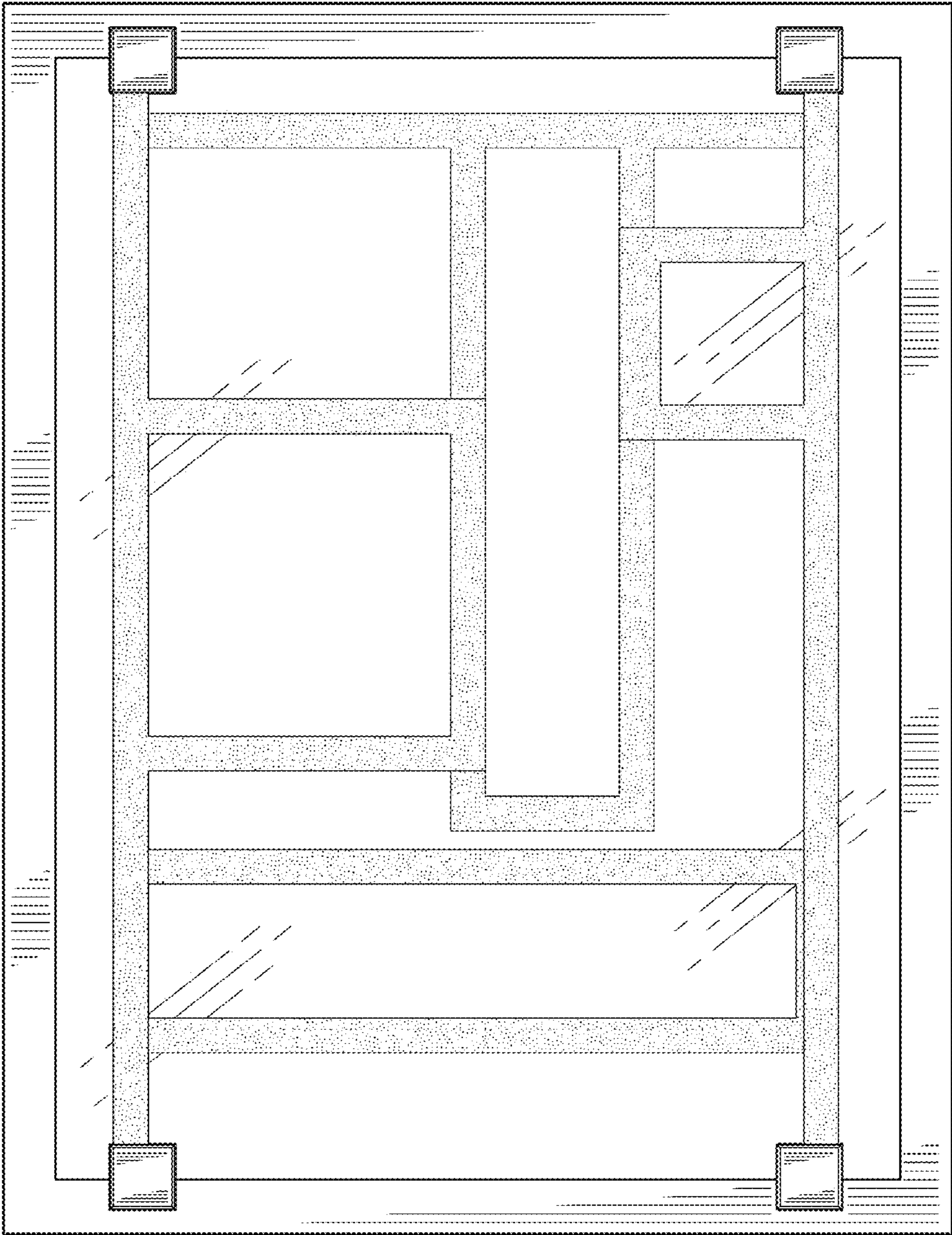


FIG. 2

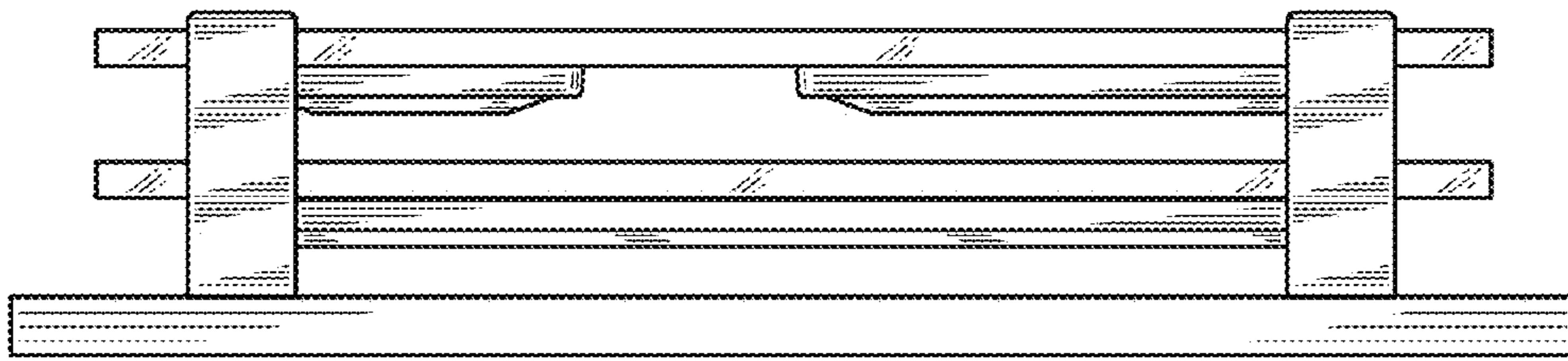


FIG. 5

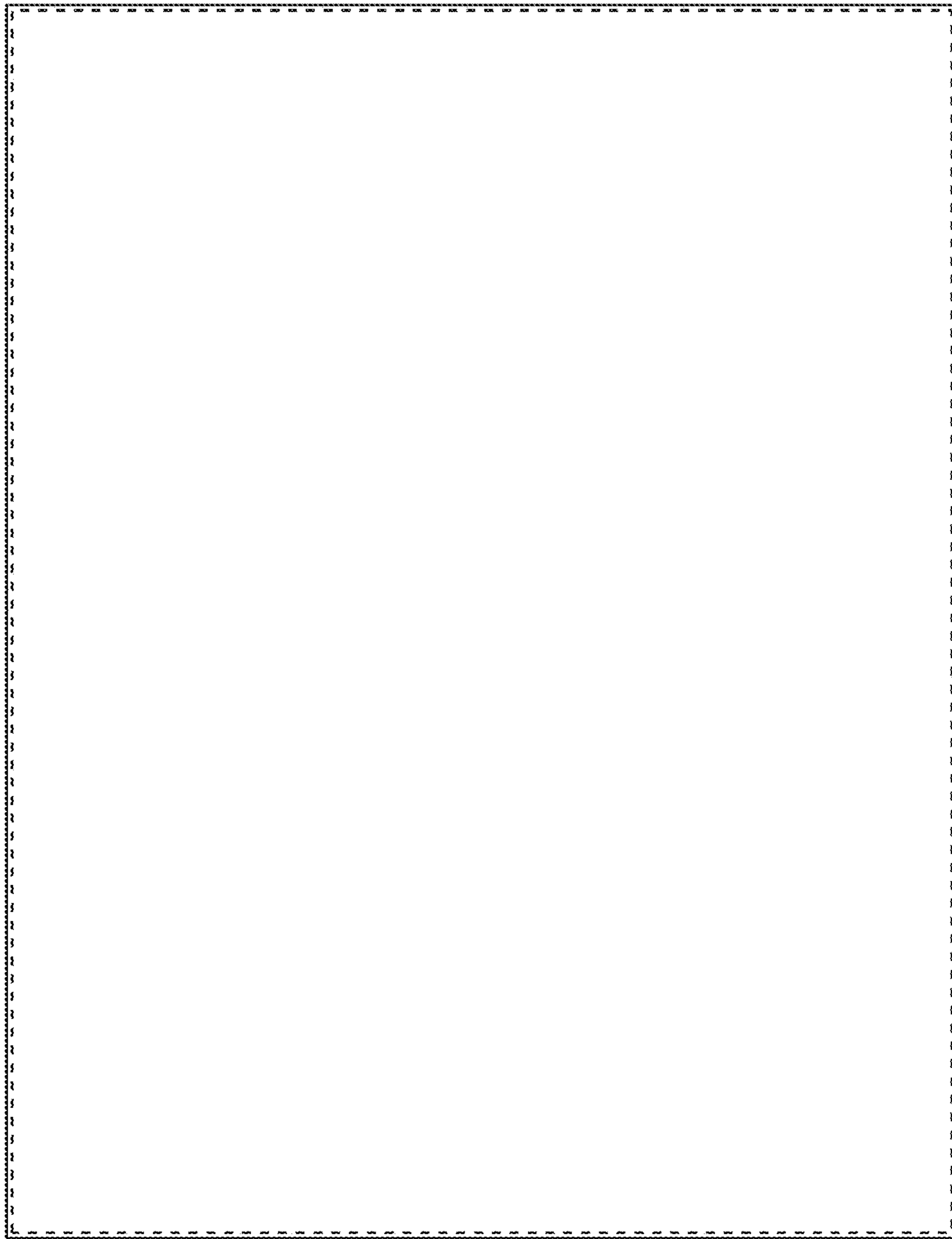
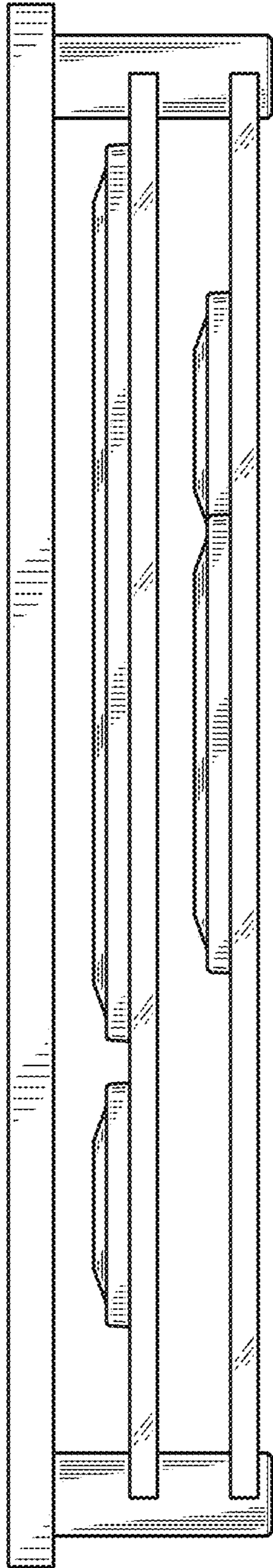
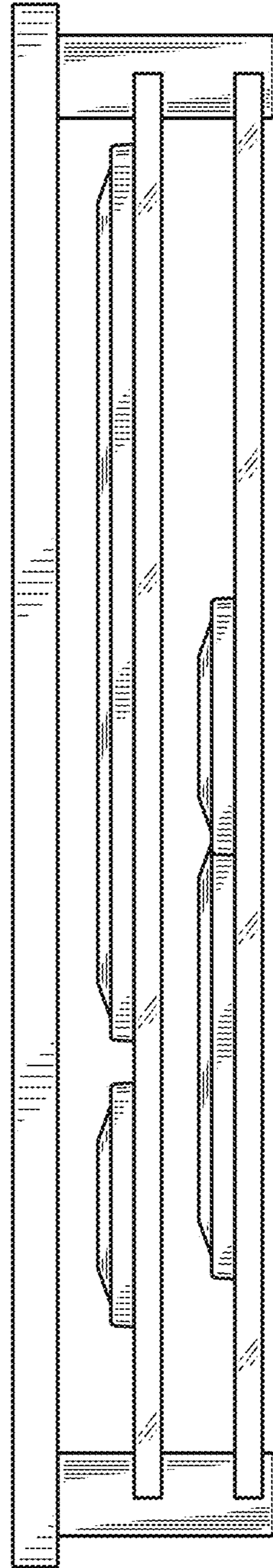


FIG. 4



**FIG. 6**



**FIG. 7**