



US00D715476S

(12) **United States Design Patent**
Tien et al.

(10) **Patent No.:** **US D715,476 S**
(45) **Date of Patent:** **** Oct. 14, 2014**

- (54) **EMBEDDED LAMP**
- (71) Applicant: **Delta Electronics, Inc.**, Taoyuan Hsien (TW)
- (72) Inventors: **Kun-Ming Tien**, Taoyuan Hsien (TW);
Chih-Yuan Huang, Taoyuan Hsien (TW)
- (73) Assignee: **Delta Electronics Inc.**, Taoyuan Hsien (TW)
- (**) Term: **14 Years**
- (21) Appl. No.: **29/472,392**
- (22) Filed: **Nov. 12, 2013**
- (51) **LOC (10) Cl.** **26-05**
- (52) **U.S. Cl.**
USPC **D26/74**
- (58) **Field of Classification Search**
USPC D26/74, 24, 72, 75, 76, 78, 79, 81, 82,
D26/88, 89, 91, 113, 118, 119, 120, 138,
D26/141, 142; 362/145, 146, 147, 148, 150,
362/151, 153, 153.1, 217.01, 223, 217.05,
362/217.07, 217.06, 217.15, 249.02,
362/296.07, 296.08, 311.02, 373, 800
See application file for complete search history.

D632,821	S	*	2/2011	Culbert	D26/74
D633,632	S	*	3/2011	Culbert et al.	D26/24
D673,712	S	*	1/2013	Patel	D26/74
D679,849	S	*	4/2013	Ham	D26/74
D679,853	S	*	4/2013	Chiou et al.	D26/89
D682,458	S	*	5/2013	Calvin et al.	D26/74
D698,974	S	*	2/2014	Aniserowicz et al.	D26/74
2011/0051410	A1	*	3/2011	Liang	362/235
2012/0327641	A1	*	12/2012	Holder et al.	362/184
2013/0176733	A1	*	7/2013	Lu et al.	362/249.02

* cited by examiner

Primary Examiner — Angela J Lee

(74) *Attorney, Agent, or Firm* — Muncy, Geissler, Olds & Lowe, P.C.

(57) **CLAIM**

The ornamental design for an embedded lamp, as shown and described.

DESCRIPTION

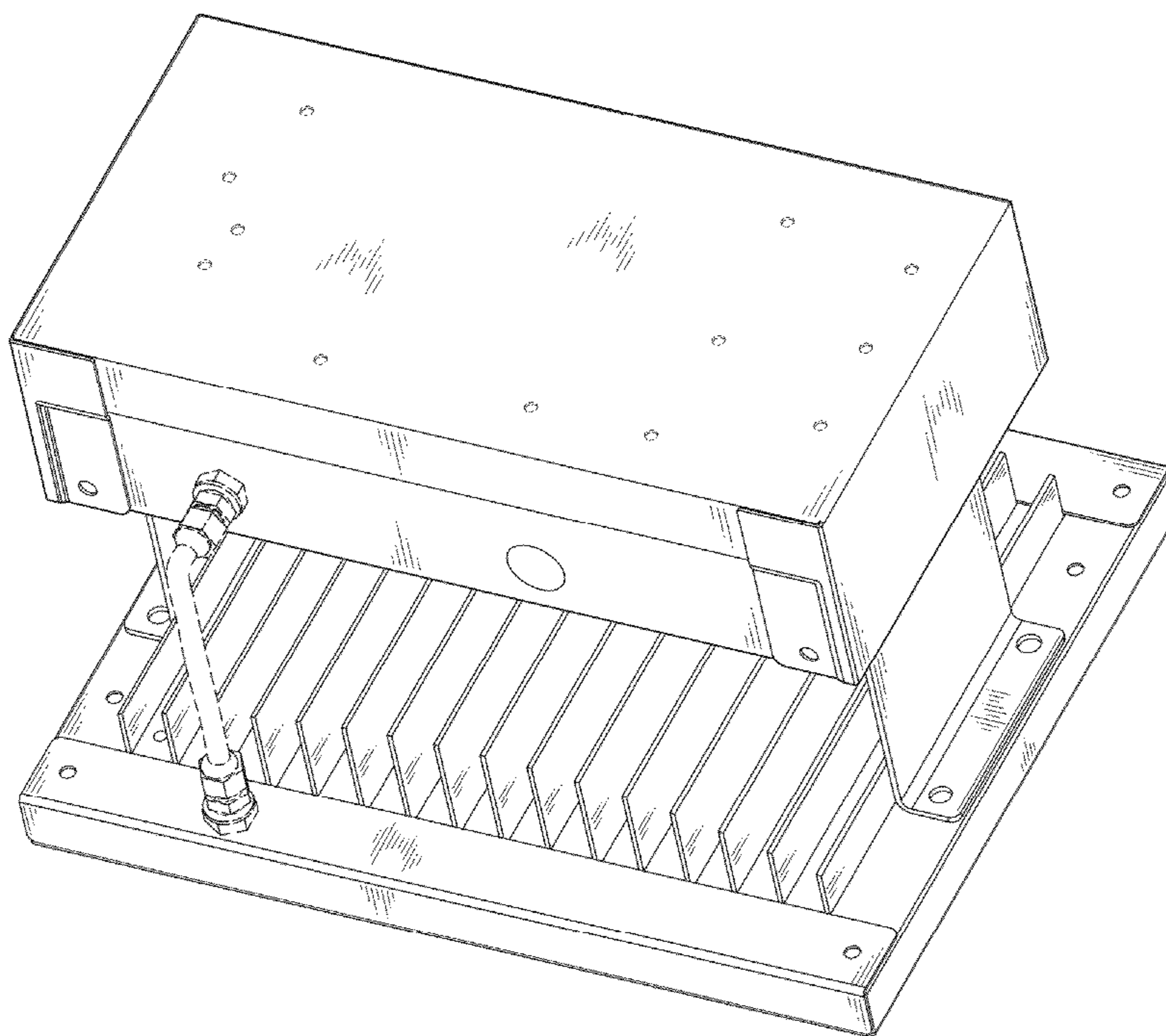
FIG. 1 is a perspective view of an embedded lamp showing my new design;
 FIG. 2 is a front elevational view thereof;
 FIG. 3 is a rear elevational view thereof;
 FIG. 4 is a left side elevational view thereof;
 FIG. 5 is a right side elevational view thereof;
 FIG. 6 is a top plan view thereof; and,
 FIG. 7 is a bottom-plan view thereof.
 The broken line showing is for the purpose of illustrating environmental structure only, and forms no part of the claimed design.

1 Claim, 7 Drawing Sheets

(56) **References Cited**

U.S. PATENT DOCUMENTS

D551,379	S	*	9/2007	Maxik	D26/74
D577,454	S	*	9/2008	Maxik et al.	D26/63
D599,943	S	*	9/2009	Bergmann et al.	D26/74



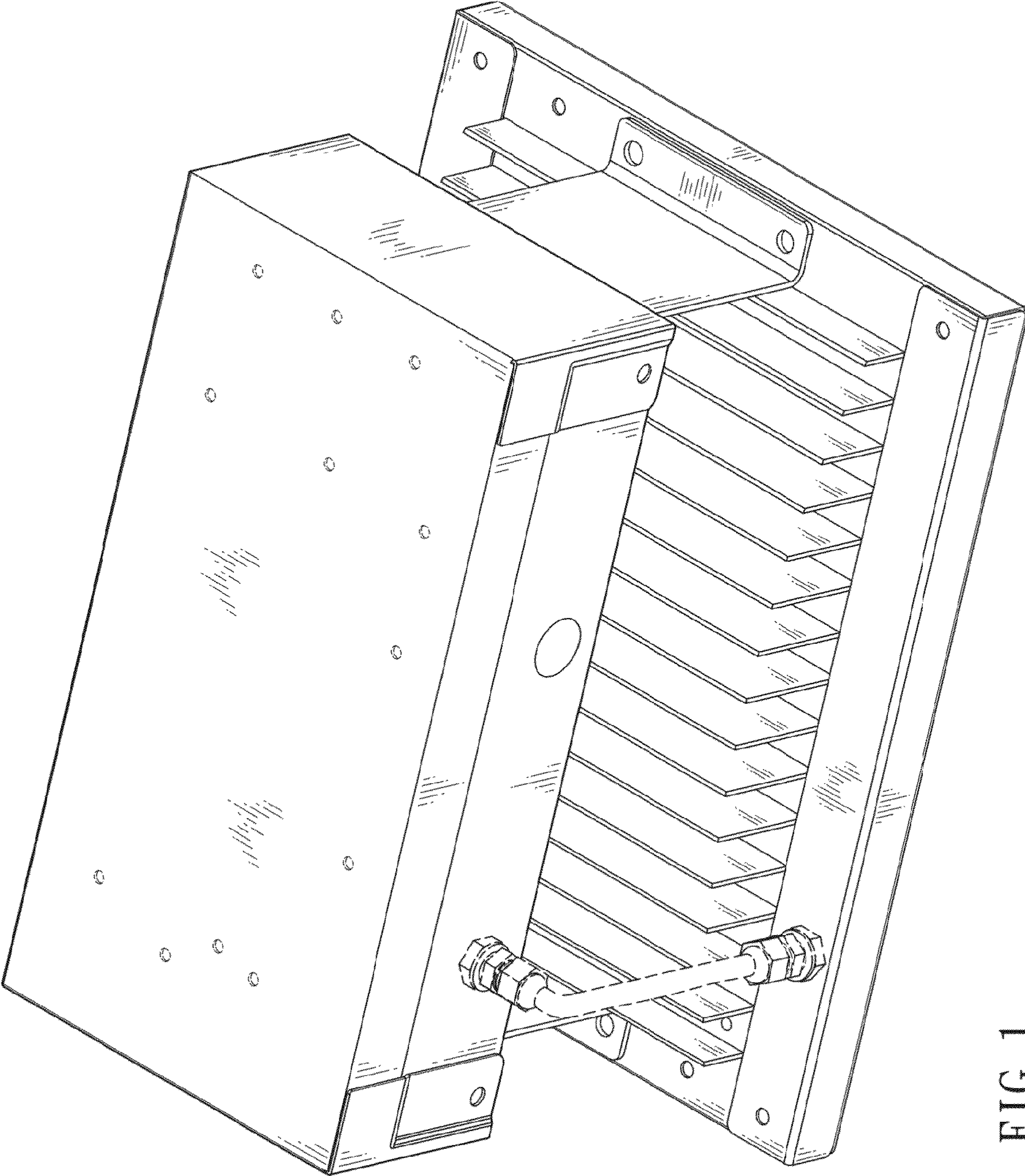


FIG. 1

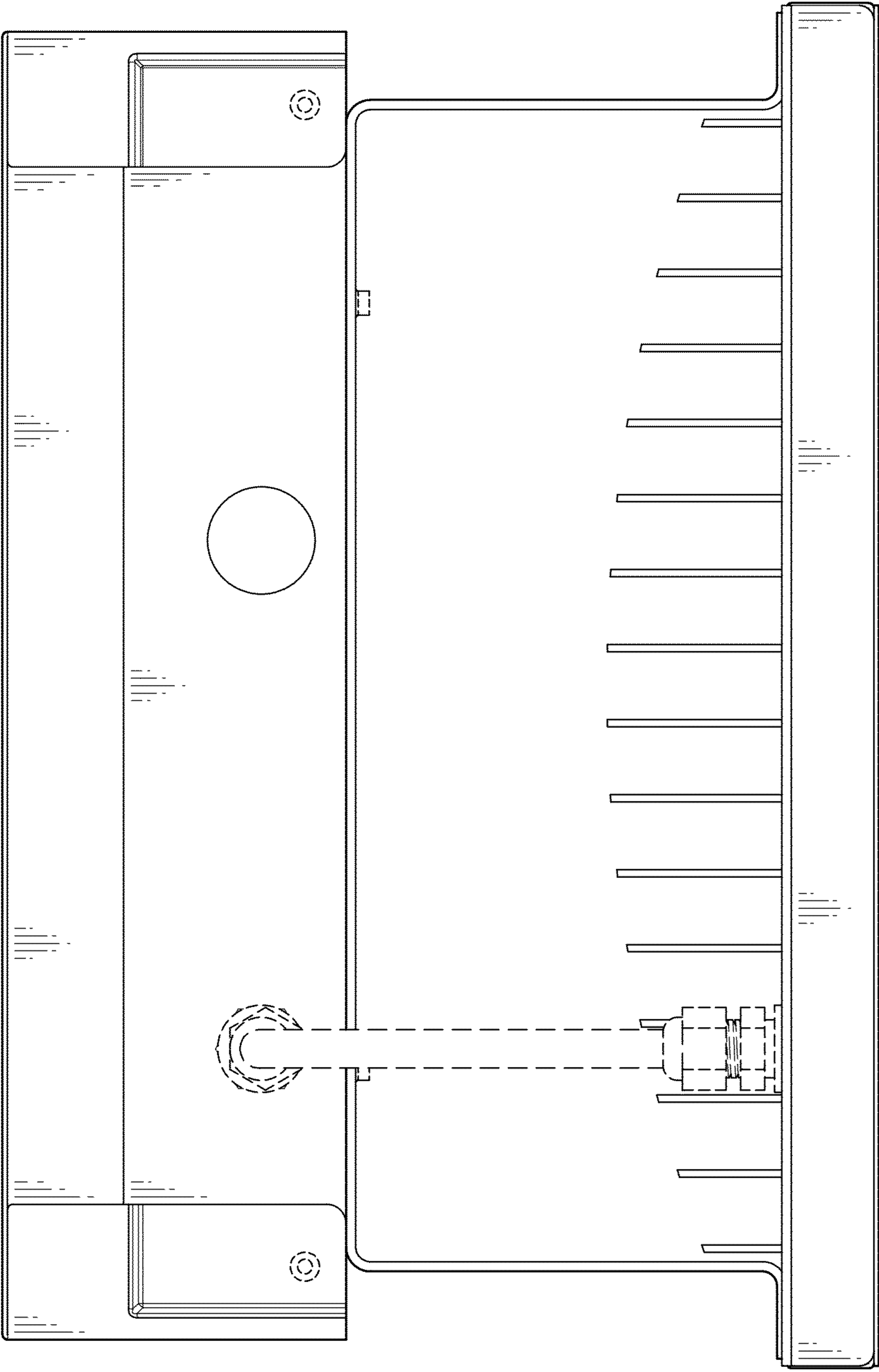


FIG. 2

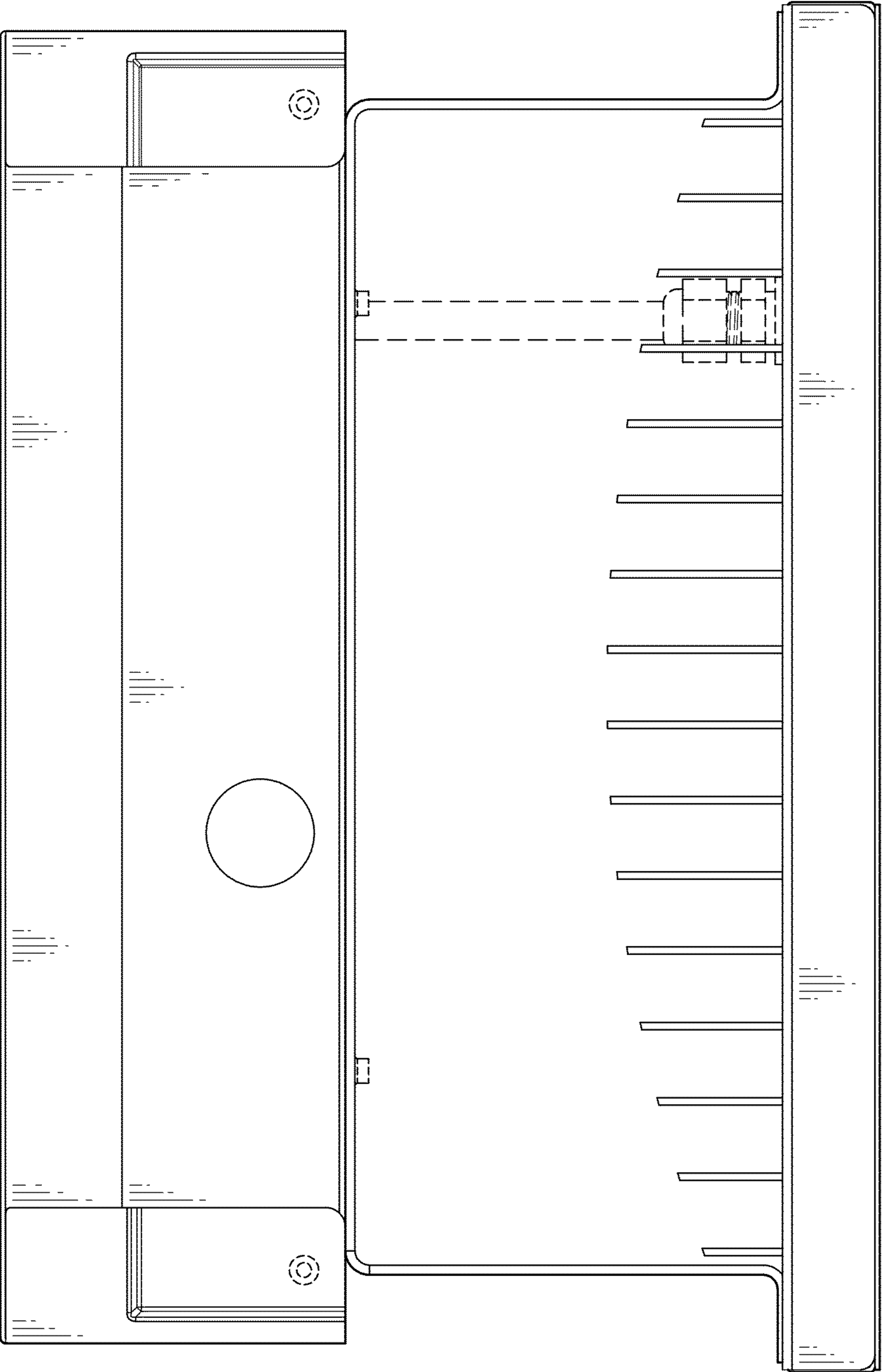


FIG. 3

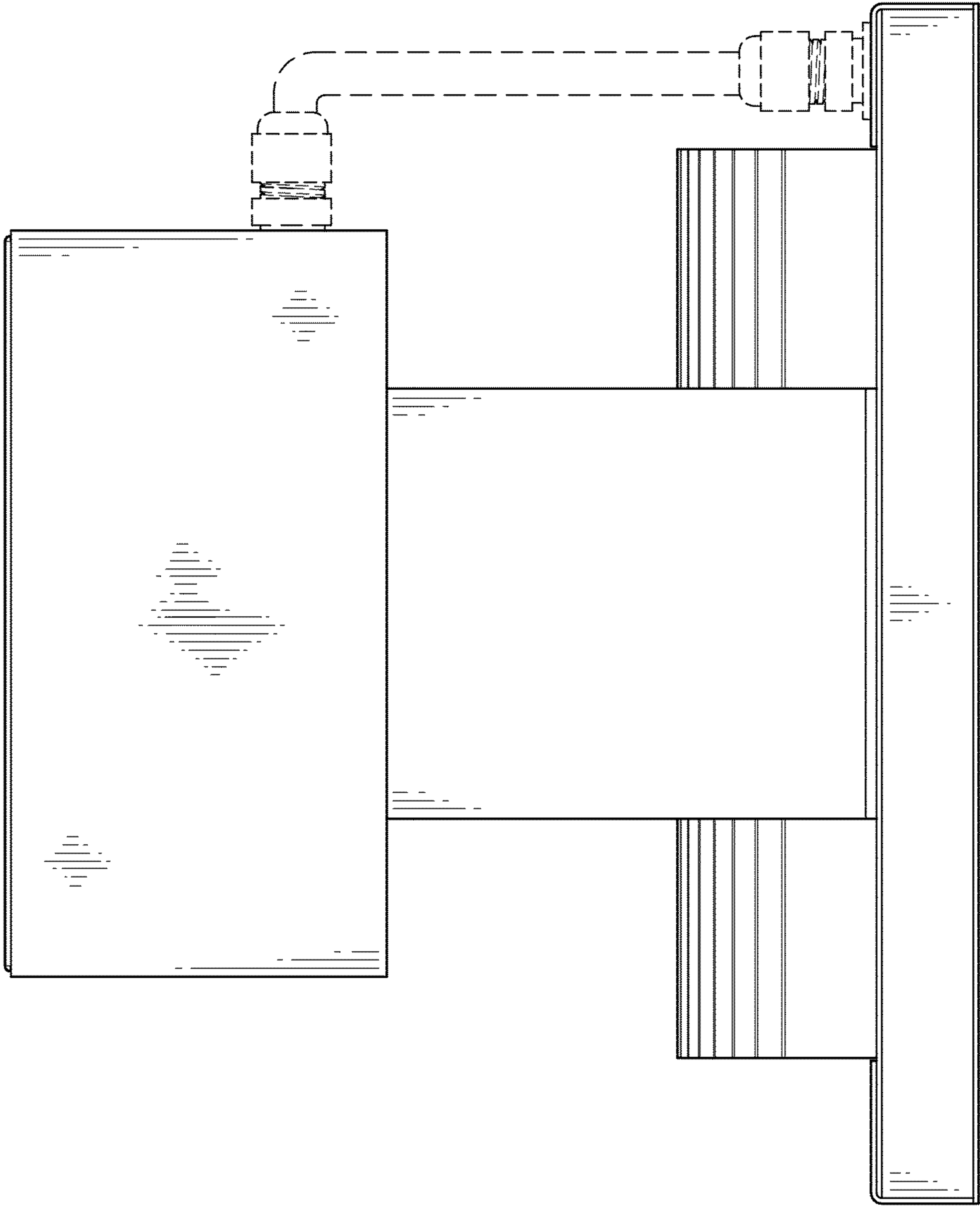


FIG. 4

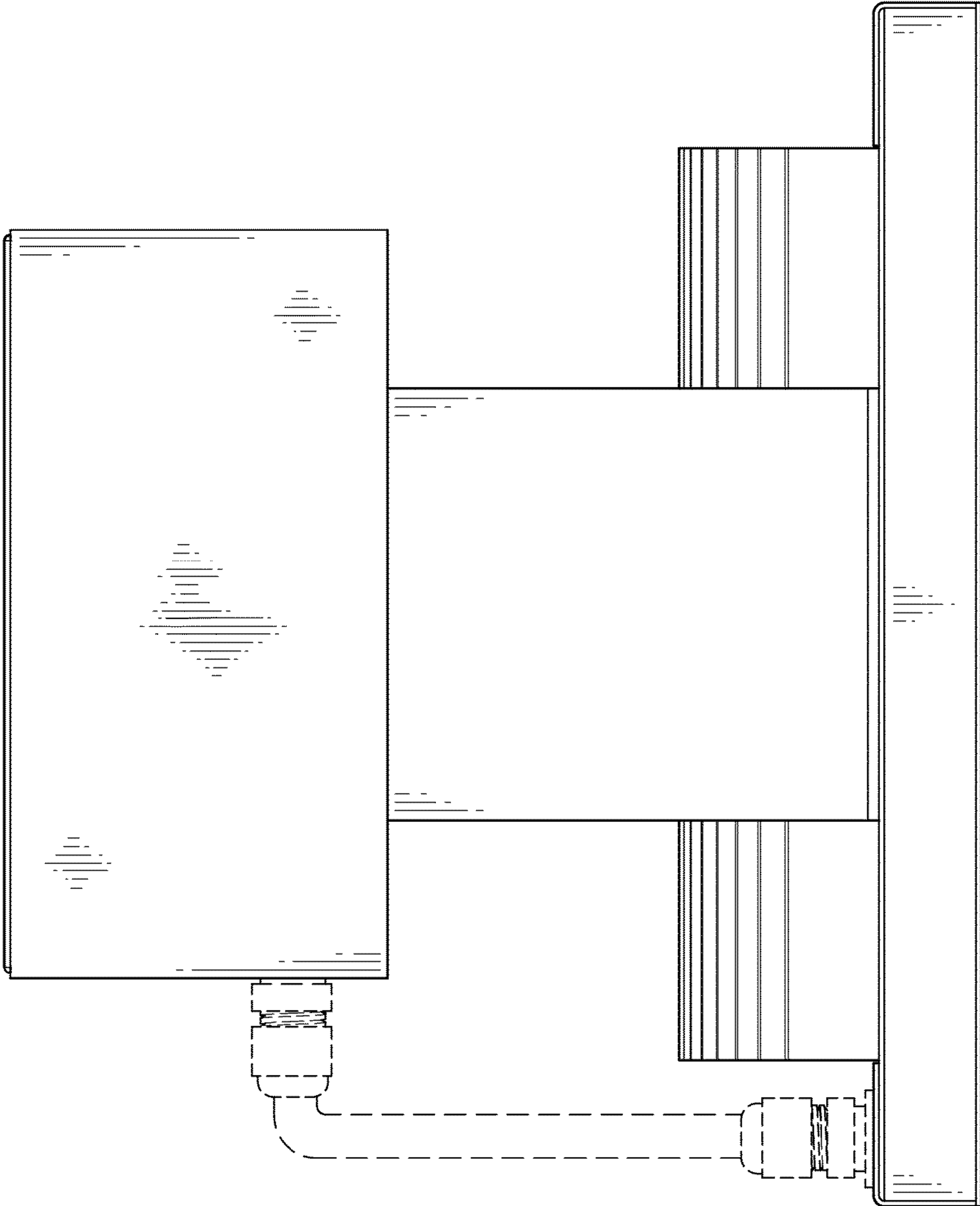


FIG. 5

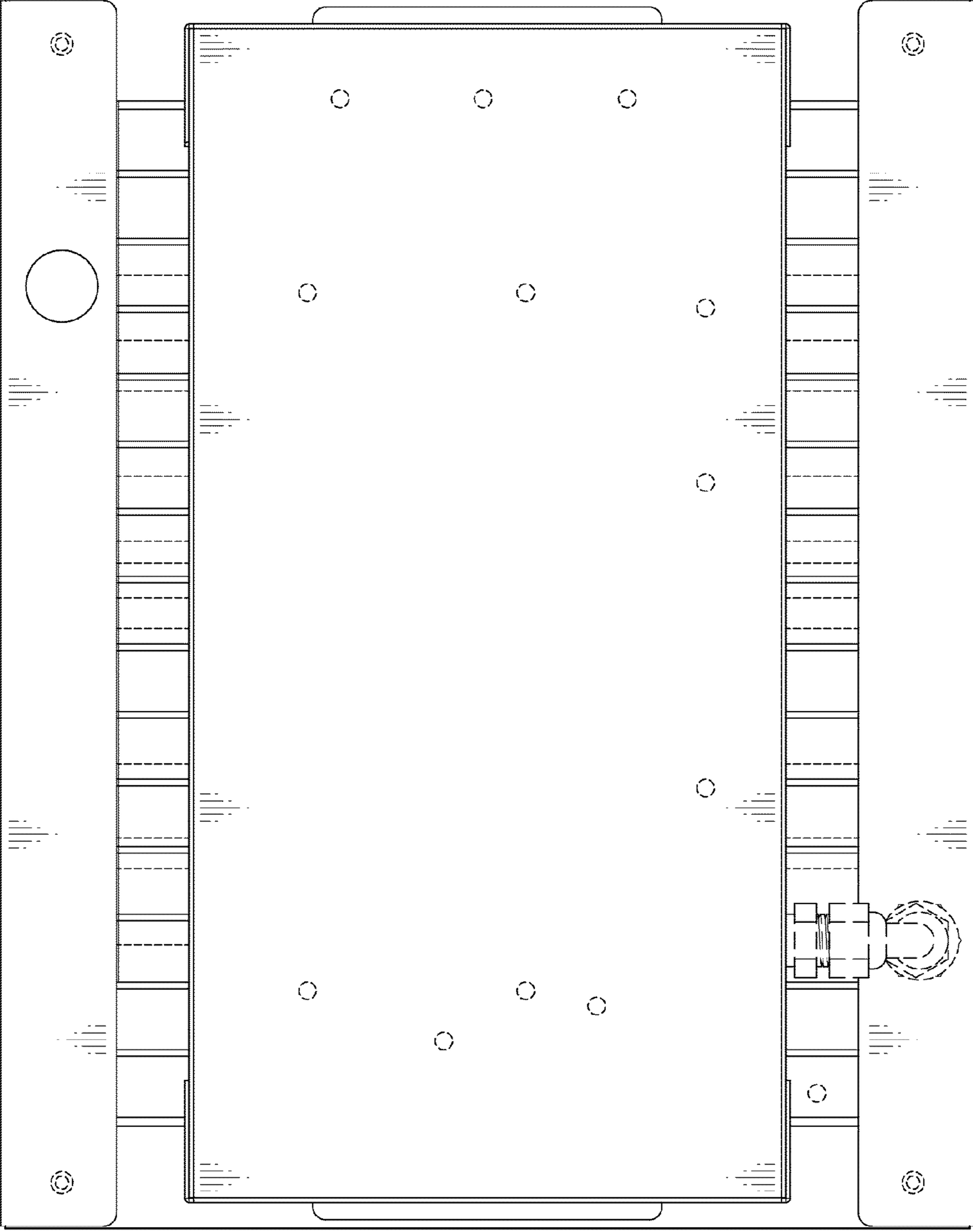


FIG. 6

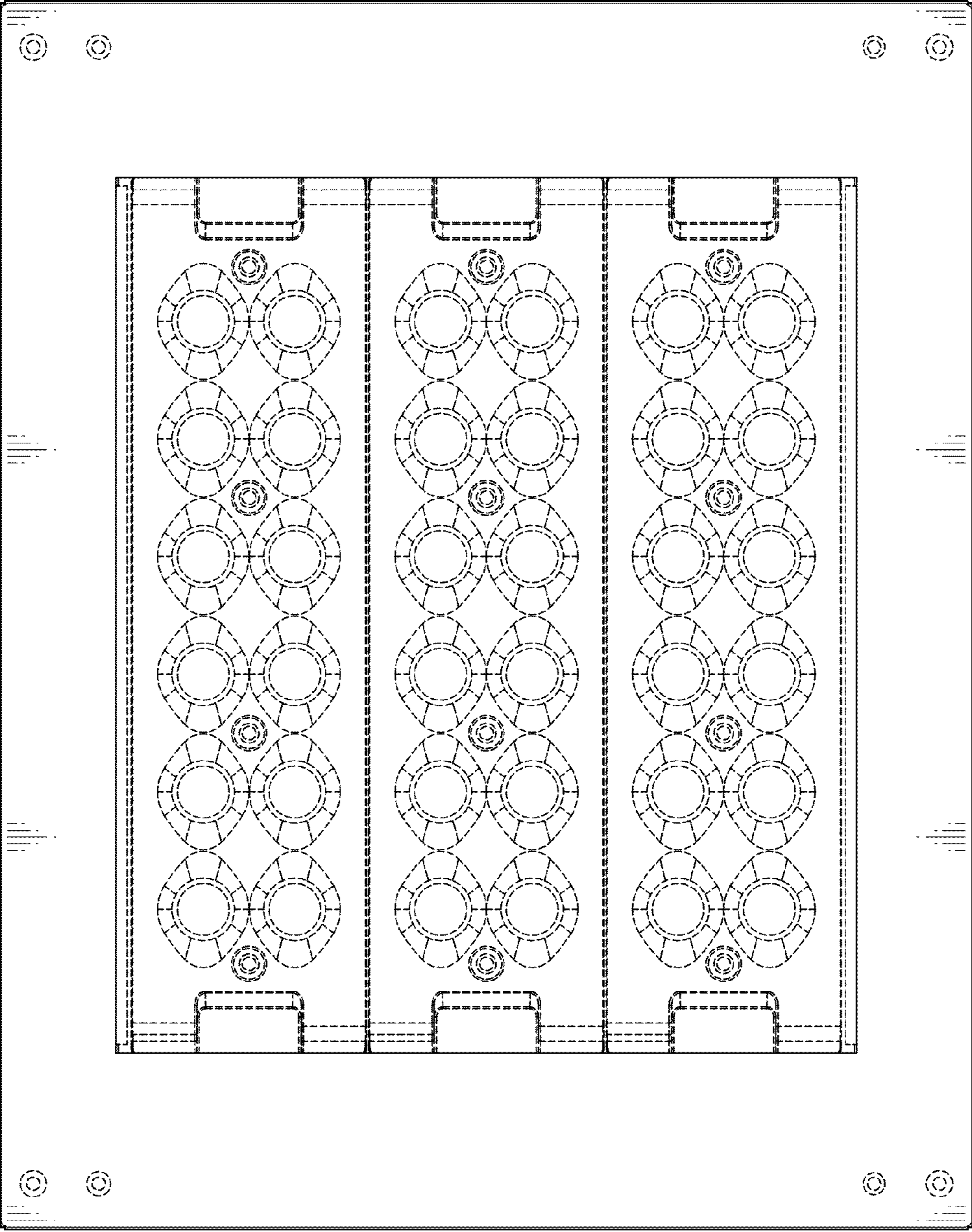


FIG. 7