



US00D715474S

(12) **United States Design Patent**  
**Janos et al.**

(10) **Patent No.:** **US D715,474 S**  
(45) **Date of Patent:** **\*\* Oct. 14, 2014**

(54) **LIGHTING FIXTURE**

- (71) Applicant: **The L.D. Kichler Co.**, Cleveland, OH (US)
- (72) Inventors: **Joseph John Janos**, Phoenix, AZ (US);  
**John Joseph Ascherl**, Medina, OH (US)
- (73) Assignee: **The L.D. Kichler Co.**, Cleveland, OH (US)
- (\*\*) Term: **14 Years**
- (21) Appl. No.: **29/421,885**
- (22) Filed: **Oct. 11, 2012**

**Related U.S. Application Data**

- (60) Continuation-in-part of application No. 29/374,530, filed on Aug. 29, 2011, now Pat. No. Des. 671,669, which is a continuation-in-part of application No. 29/370,099, filed on Jun. 4, 2010, now Pat. No. Des.

(Continued)

- (51) **LOC (10) Cl.** ..... **26-05**
- (52) **U.S. Cl.**  
USPC ..... **D26/63**
- (58) **Field of Classification Search**  
USPC ..... D26/63, 67, 68, 72, 118; 362/152, 153,  
362/153.1, 277, 372  
See application file for complete search history.

(56) **References Cited**

U.S. PATENT DOCUMENTS

- D74,786 S \* 3/1928 Edelmann ..... D26/63
- D204,791 S \* 5/1966 Schwartz ..... D26/63

(Continued)

*Primary Examiner* — Clare E Heflin

(74) *Attorney, Agent, or Firm* — Calfee, Halter & Griswold LLP

(57) **CLAIM**

We claim the ornamental designs for a lighting fixture, as shown and described.

**DESCRIPTION**

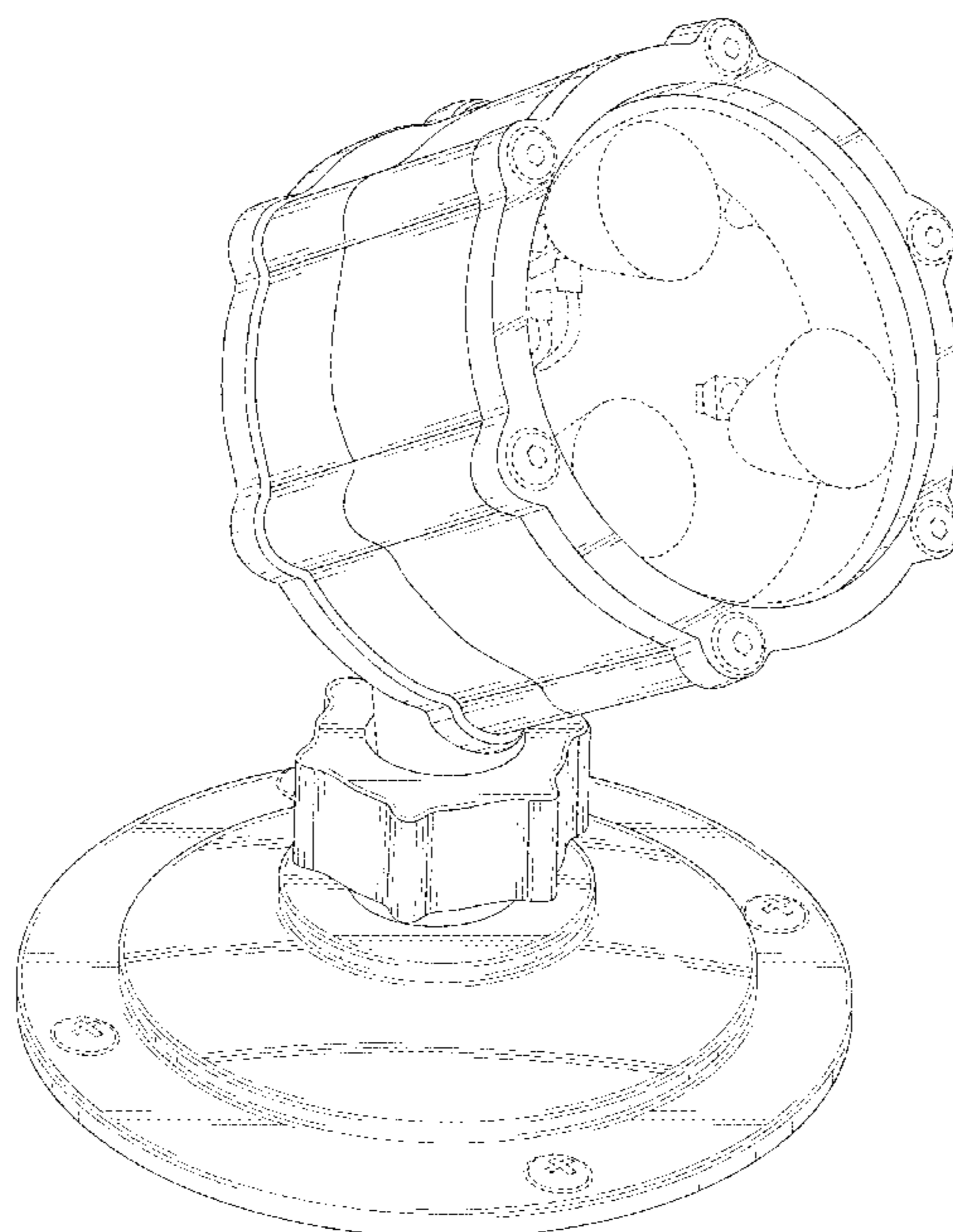
FIG. 1 is a front/left/top perspective view of a lighting fixture. The lighting enclosure has six-way, sixty degree overall rotational symmetry. The adjustment nut has six-way, sixty degree overall rotational symmetry. The base has a circular horizontal cross section.

FIG. 2 is a front/left/top perspective view of a lighting fixture. The lighting enclosure has six-way, sixty degree overall rotational symmetry. The adjustment nut has six-way, sixty degree overall rotational symmetry. The base has a circular horizontal cross section; and,

FIG. 3 is a front/left/top perspective view of a lighting fixture. The lighting enclosure has six-way, sixty degree overall rotational symmetry. The adjustment nut has six-way, sixty degree overall rotational symmetry. The base has a circular horizontal cross section.

The broken lines shown in the drawing are for illustrative purposes only and form no part of the claimed design. Additionally, the rear surfaces of the lighting enclosure of FIGS. 1-3, which are not visible in FIGS. 1-3, are also disclaimed.

**1 Claim, 3 Drawing Sheets**



**Related U.S. Application Data**

644,371, which is a continuation-in-part of application No. 29/308,457, filed on Jun. 18, 2008, now abandoned, and a continuation-in-part of application No. 29/330,797, filed on Jan. 14, 2009, now Pat. No. Des. 622,892, and a continuation-in-part of application No. 29/315,416, filed on Jun. 23, 2009, now abandoned, said application No. 29/308,457 is a continuation-in-part of application No. 29/307,520, filed on Apr. 24, 2008, now abandoned, which is a division of application No. 29/291,719, filed on Sep. 12, 2007, now Pat. No. Des. 570,523, which is a division of application No. 29/234,767, filed on Jul. 22, 2005, now Pat. No. Des. 564,123, and a continuation of application No. 29/153,392, filed on Jan. 7, 2002, now Pat. No. Des. 511,019, said application No. 29/308,457 is a continuation-in-part of application No. 29/291,738, filed on Sep. 12, 2007, now Pat. No. Des. 578,244, which is a division of application No. 29/265,173, filed on Aug. 24, 2006, now Pat. No. Des. 560,841, which is a division of application No. 29/185,163, filed on Jun. 24, 2003, now Pat. No. Des. 530,845, said application No. 29/308,457 is a continuation-in-part of application No. 29/292,839, filed on Oct. 30, 2007, now Pat. No. Des. 575,446, which is a division of application No. 29/283,466, filed on Aug. 15, 2007, now Pat. No. Des. 585,591, which is a continuation of application No. 29/221,429, filed on Jan. 14, 2005, now Pat. No. Des. 550,886, said application No. 29/308,457 is a continuation of application No. 29/292,268, filed on Oct. 4, 2007, now Pat. No. Des. 580,084, which is a division of application No. 29/221,430, filed on Jan. 14, 2005, now Pat. No. Des. 561,375, said application No. 29/308,457 is a continuation-in-part of application No. 29/276,225, filed on Jan. 19, 2007, now Pat. No. Des. 573,293, which is a continuation of application

No. 29/257,608, filed on Apr. 6, 2006, now Pat. No. Des. 561,371, said application No. 29/308,457 is a continuation-in-part of application No. 29/261,674, filed on Jun. 16, 2006, now abandoned, and a continuation-in-part of application No. 29/268,178, filed on Oct. 31, 2006, now Pat. No. Des. 578,238, and a continuation-in-part of application No. 29/291,411, filed on Aug. 27, 2007, now Pat. No. Des. 583,089, and a continuation-in-part of application No. 29/293,627, filed on Dec. 4, 2007, now Pat. No. Des. 580,088, and a continuation-in-part of application No. 29/294,158, filed on Dec. 21, 2007, now abandoned, application No. 29/421,885, which is a continuation-in-part of application No. 29/372,835, filed on Jan. 19, 2011, now Pat. No. Des. 670,423.

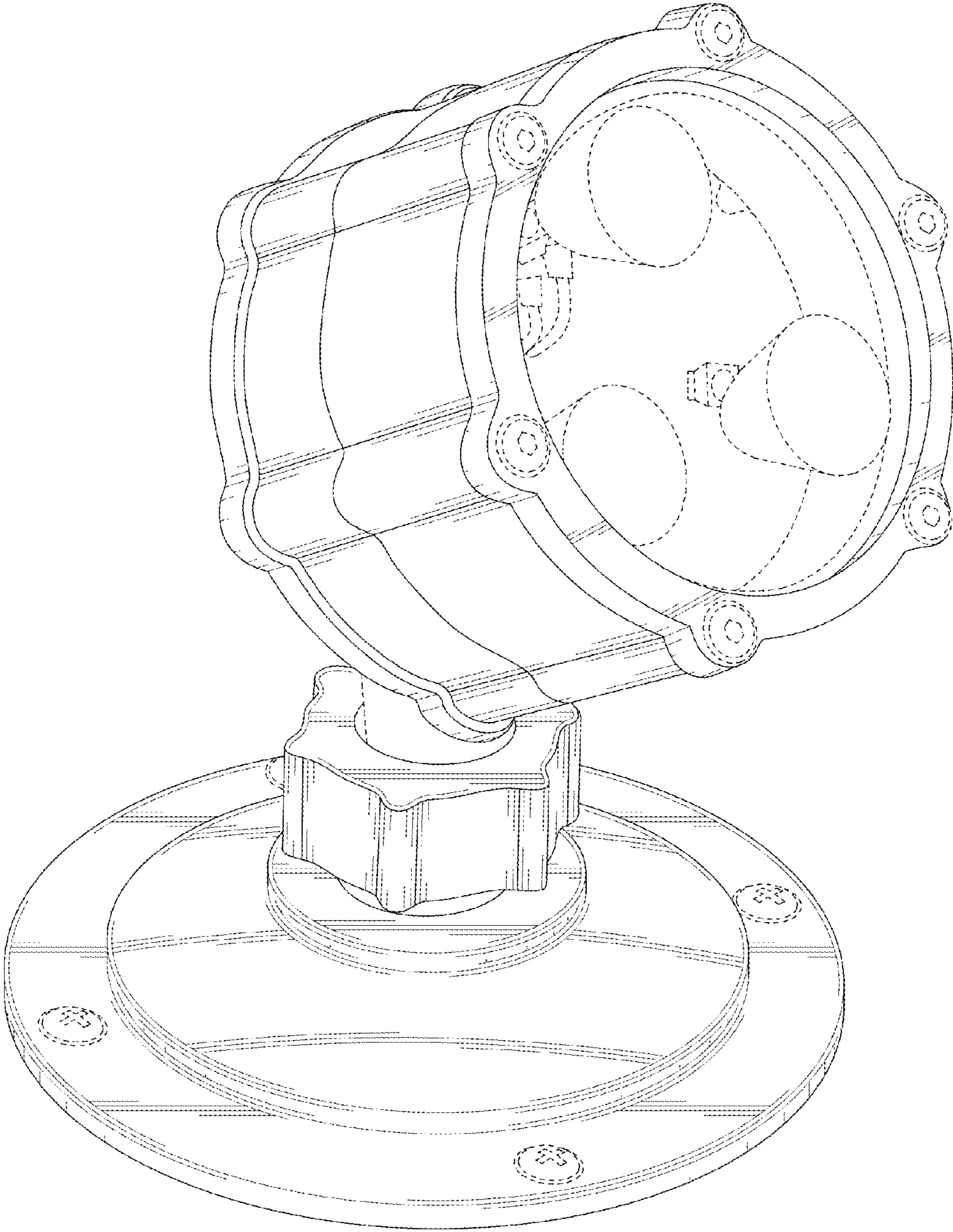
(56)

**References Cited**

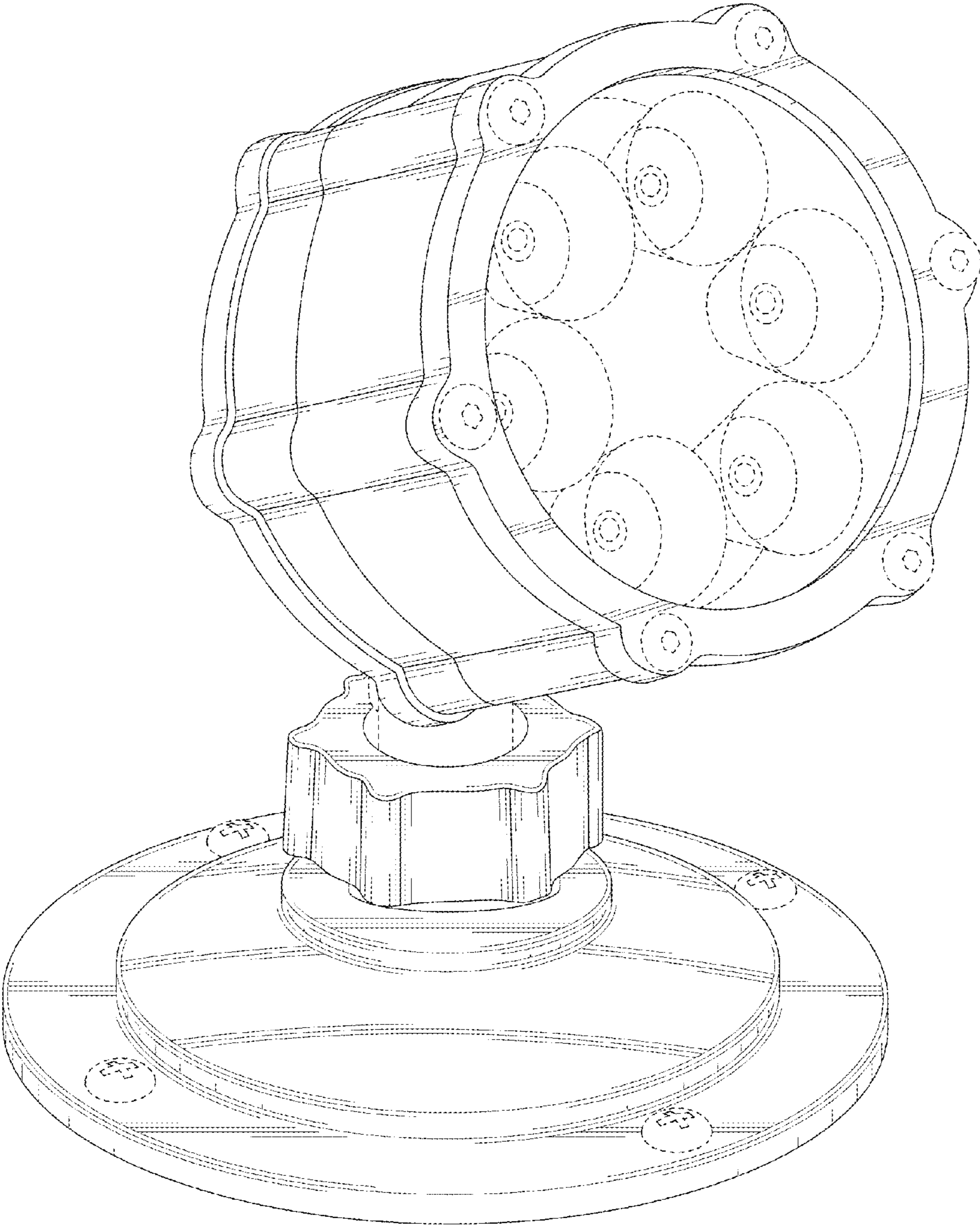
U.S. PATENT DOCUMENTS

D235,227	S	*	5/1975	Cleary et al.	.....	D26/63
D346,234	S	*	4/1994	Sammis	.....	D26/63
D407,518	S	*	3/1999	Yeh	.....	D26/63
D408,937	S	*	4/1999	Waldmann	.....	D26/63
7,137,721	B1	*	11/2006	Rao et al.	.....	362/371
D574,532	S	*	8/2008	Lee et al.	.....	D26/63
D574,987	S	*	8/2008	Waldmann	.....	D26/63
D586,491	S	*	2/2009	Levine	.....	D26/63
D589,636	S	*	3/2009	Pinette	.....	D26/63
D599,950	S	*	9/2009	Sabernig	.....	D26/136
D628,329	S	*	11/2010	Tuli	.....	D26/63
D632,414	S	*	2/2011	Croce	.....	D26/63
D634,871	S	*	3/2011	Woo	.....	D26/63
D641,904	S	*	7/2011	Winstanley et al.	.....	D26/63
D648,056	S	*	11/2011	Muehlhaeusler et al.	.....	D26/63
D654,605	S	*	2/2012	Chen	.....	D26/63
D655,841	S	*	3/2012	Coleman, Jr.	.....	D26/63
D660,506	S	*	5/2012	McMahan	.....	D26/118
D664,285	S	*	7/2012	Toft	.....	D26/118
2011/0002122	A1	*	1/2011	Tsao	.....	362/277

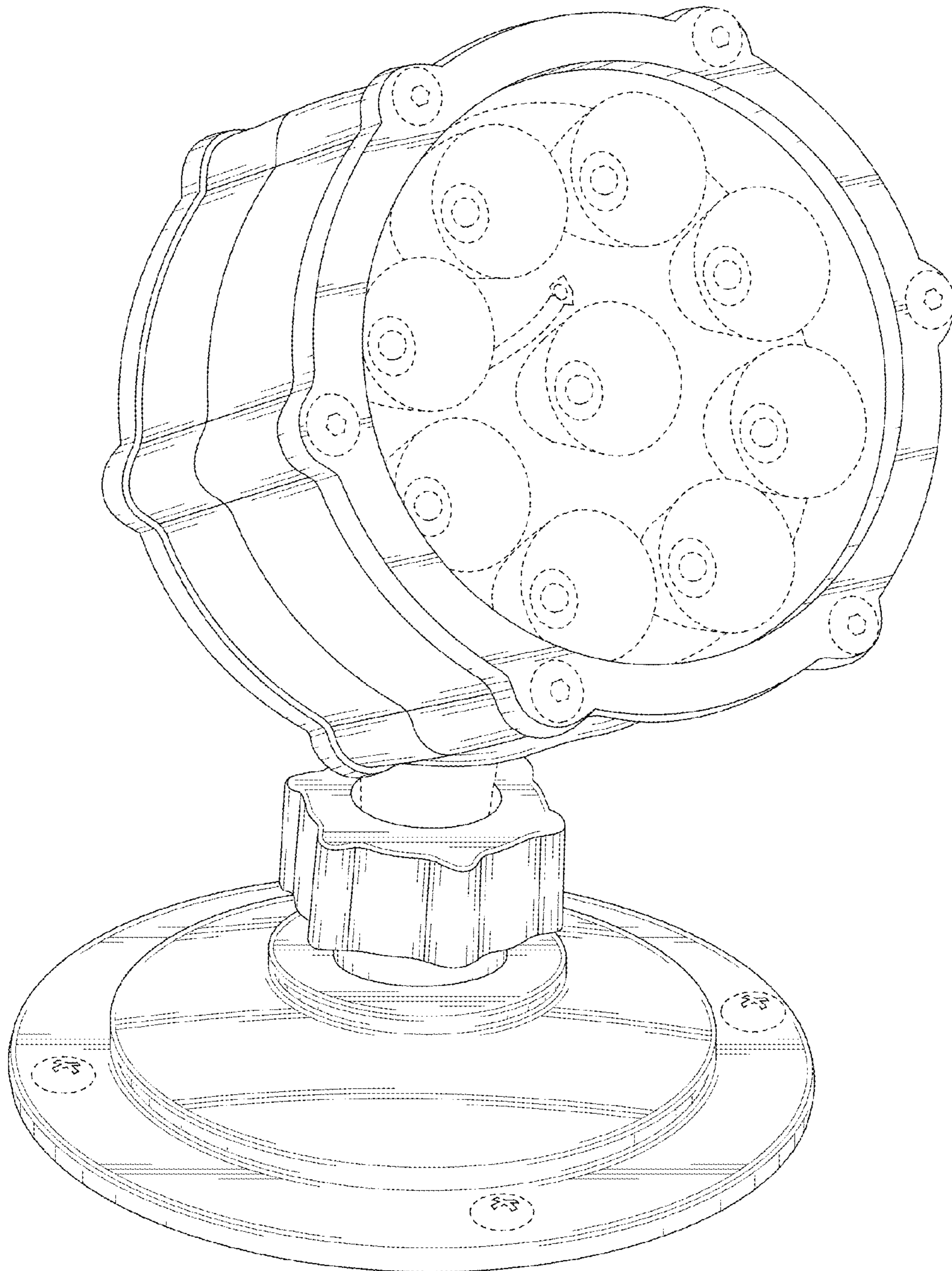
\* cited by examiner



**FIG. 1**



**FIG. 2**



**FIG. 3**