



US00D715468S

(12) **United States Design Patent**  
**Dai**

(10) **Patent No.:** **US D715,468 S**  
(45) **Date of Patent:** **\*\* Oct. 14, 2014**

- (54) **LED SENSOR LAMP**
- (71) Applicant: **Ningbo Weitao Electrical Appliance Co., Ltd., Zhejiang (CN)**
- (72) Inventor: **Jiangang Dai, Zhejiang (CN)**
- (73) Assignee: **Ningbo Weitao Electrical Appliance Co., Ltd., Ninghai (CN)**
- (\*\*) Term: **14 Years**
- (21) Appl. No.: **29/464,642**
- (22) Filed: **Aug. 20, 2013**
- (51) **LOC (10) Cl.** ..... **26-05**
- (52) **U.S. Cl.**  
USPC ..... **D26/26**
- (58) **Field of Classification Search**  
USPC ..... D26/24, 26, 113, 118, 119, 120;  
360/640, 641, 642, 643, 644, 650, 651,  
360/652, 653, 659; D23/366, 367, 369  
See application file for complete search history.

D457,974 S *	5/2002	Piepgras et al.	.....	D26/26
D523,972 S *	6/2006	Chan	.....	D26/26
D618,830 S *	6/2010	Choi	.....	D26/26
D642,707 S *	8/2011	Kang et al.	.....	D26/26
D642,708 S *	8/2011	Kaule et al.	.....	D26/26
D642,709 S *	8/2011	Kang	.....	D26/26
D644,362 S *	8/2011	Kingston	.....	D26/26
D650,506 S *	12/2011	Kaule	.....	D26/72
D657,481 S *	4/2012	Hine et al.	.....	D26/26
D662,578 S *	6/2012	Blanking et al.	.....	D23/366
D674,931 S *	1/2013	Tyler	.....	D26/26

\* cited by examiner

*Primary Examiner* — Angela J Lee

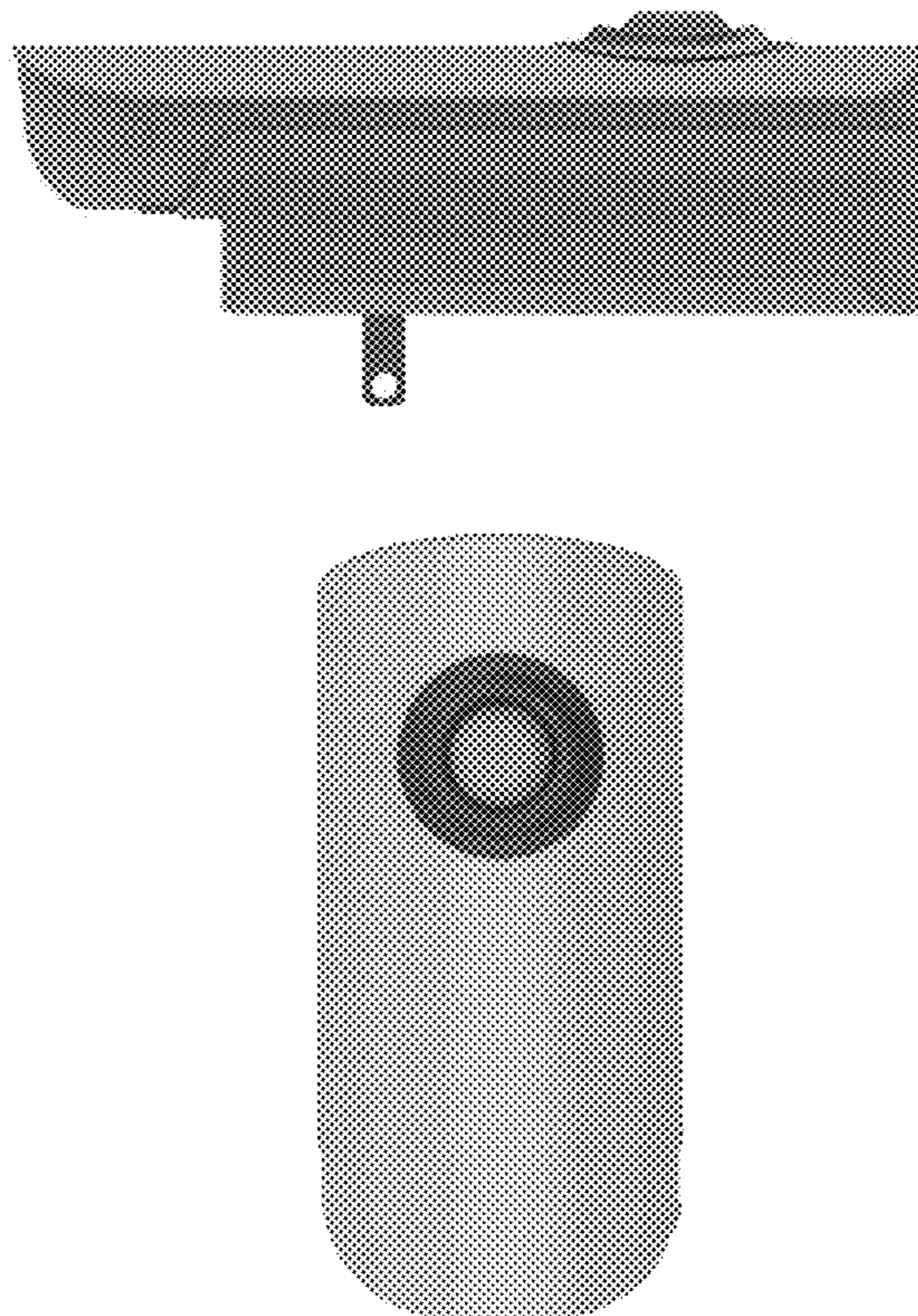
(57) **CLAIM**  
The ornamental design for an LED sensor lamp, as shown and described.

**DESCRIPTION**

FIG. 1 is a front view of an LED sensor lamp showing my new design;  
FIG. 2 is a rear view thereof;  
FIG. 3 is a left side view thereof;  
FIG. 4 is a right side view thereof;  
FIG. 5 is a top plan view thereof;  
FIG. 6 is a bottom plan view thereof; and,  
FIG. 7 is a perspective view thereof.

**1 Claim, 7 Drawing Sheets**

- (56) **References Cited**  
U.S. PATENT DOCUMENTS  
D455,507 S \* 4/2002 Liu et al. .... D26/26  
D457,667 S \* 5/2002 Piepgras et al. .... D26/26



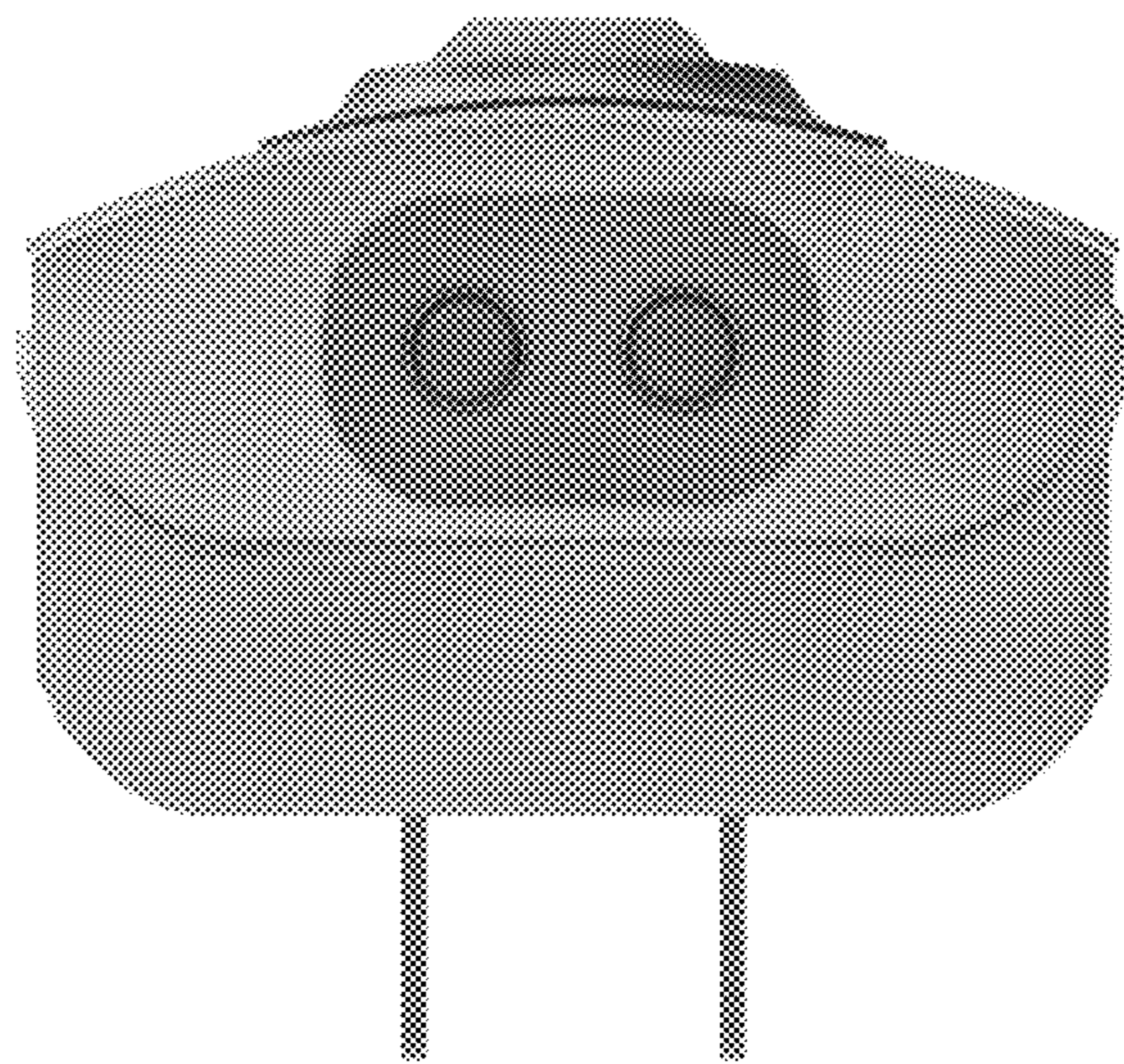


Fig.1

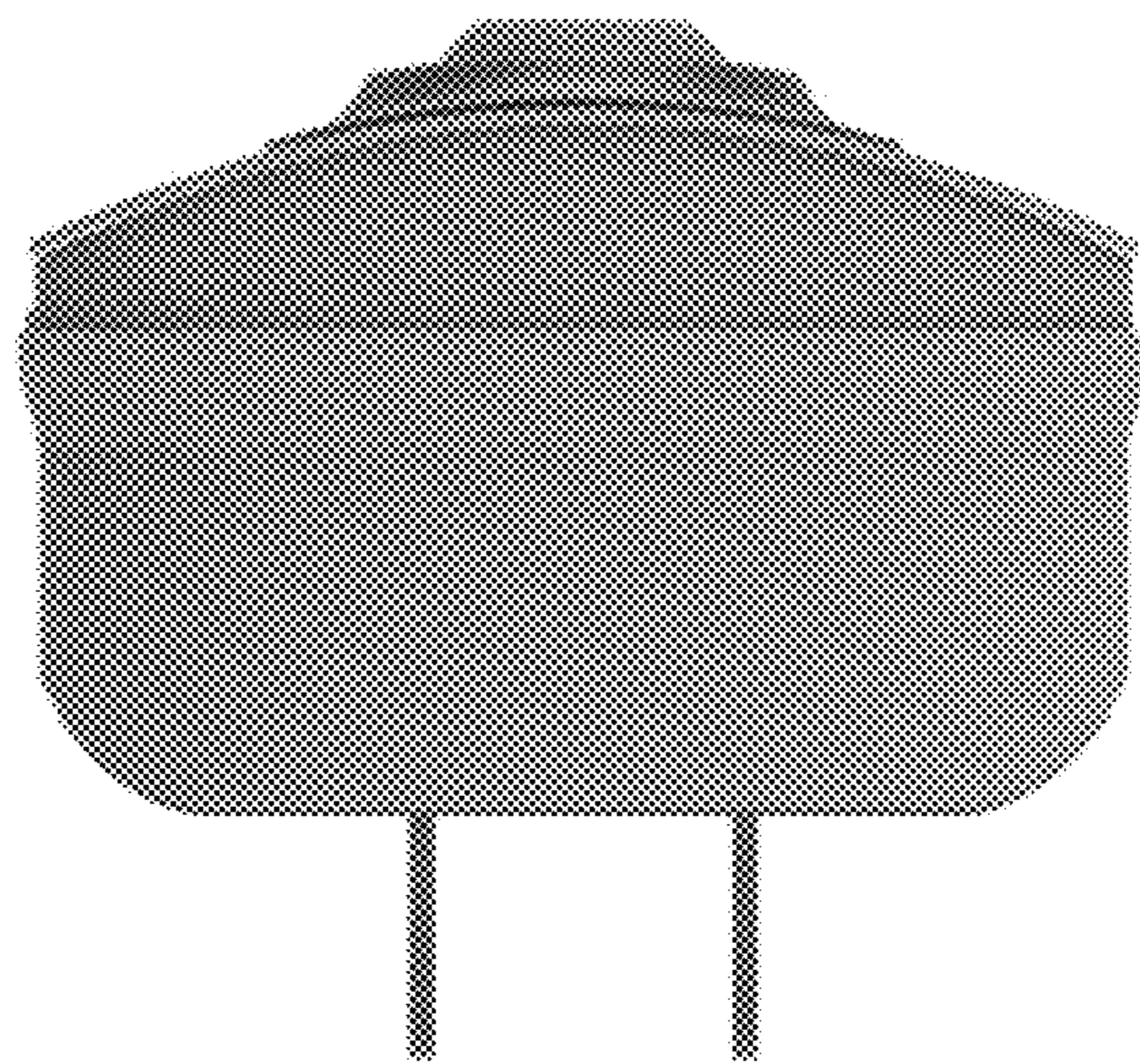


Fig.2

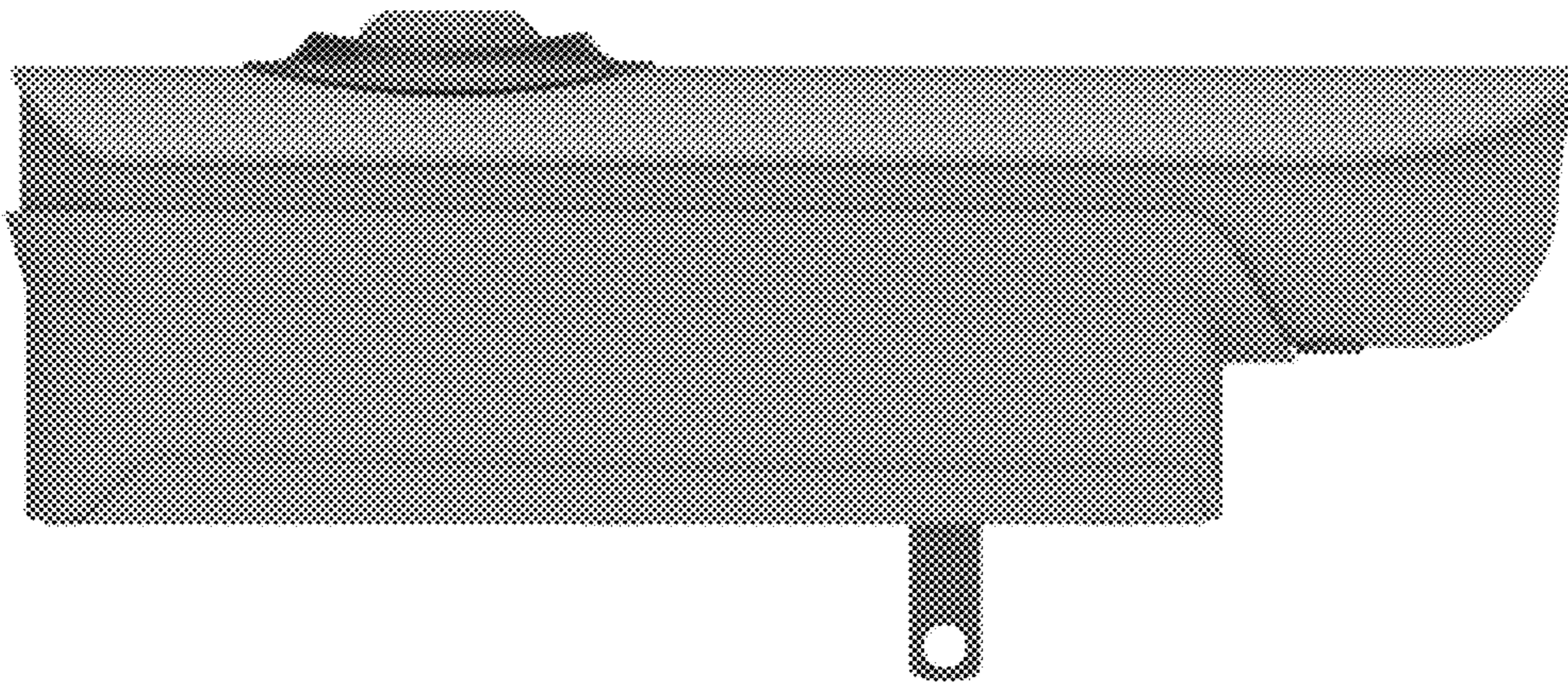


Fig.3

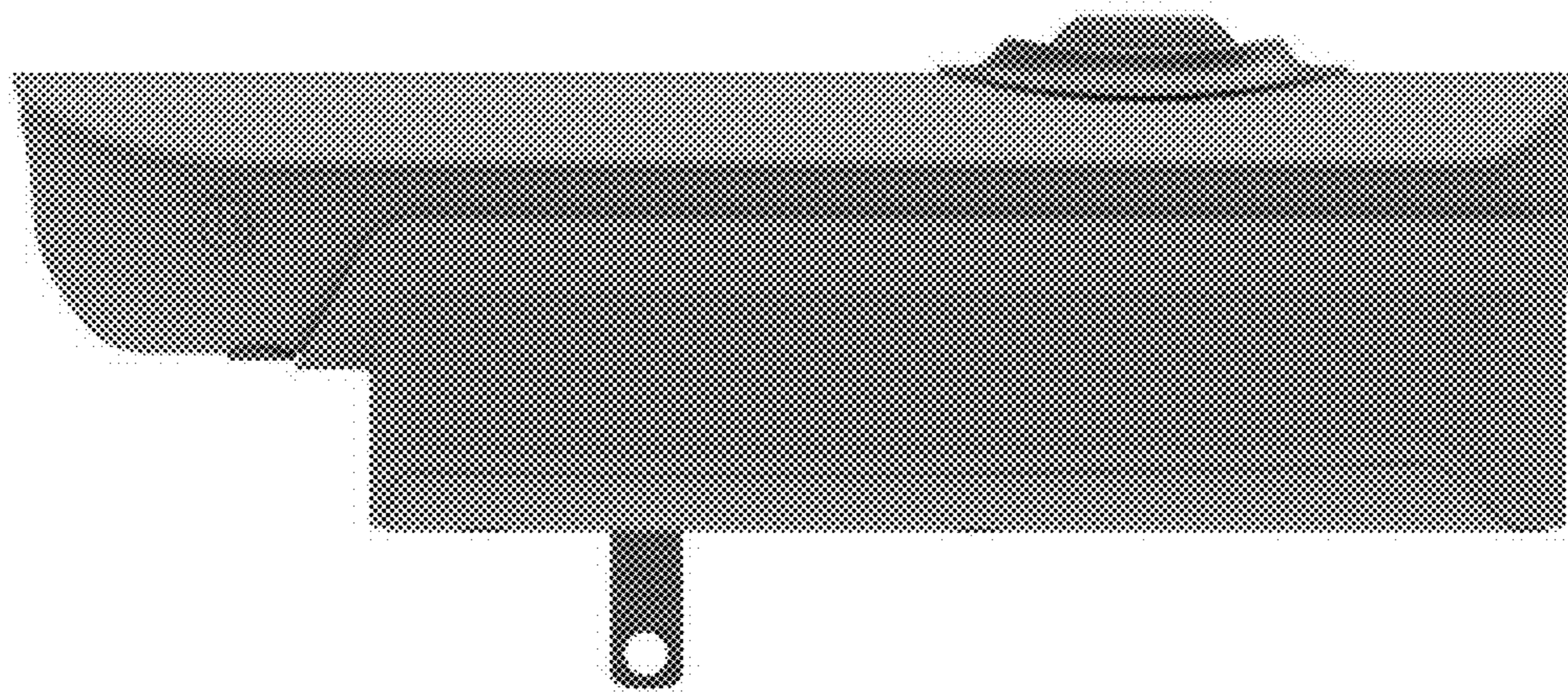


Fig.4

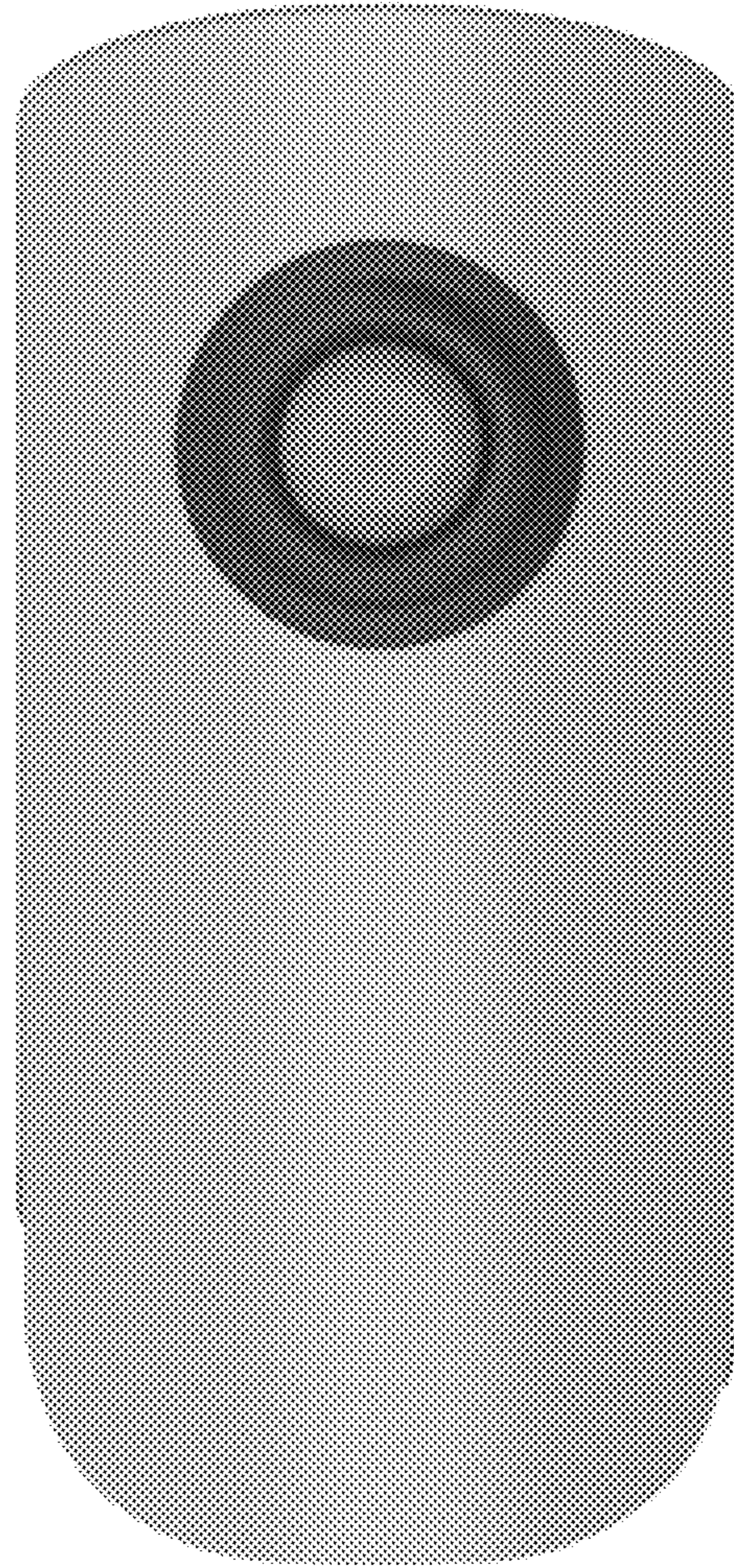


Fig.5

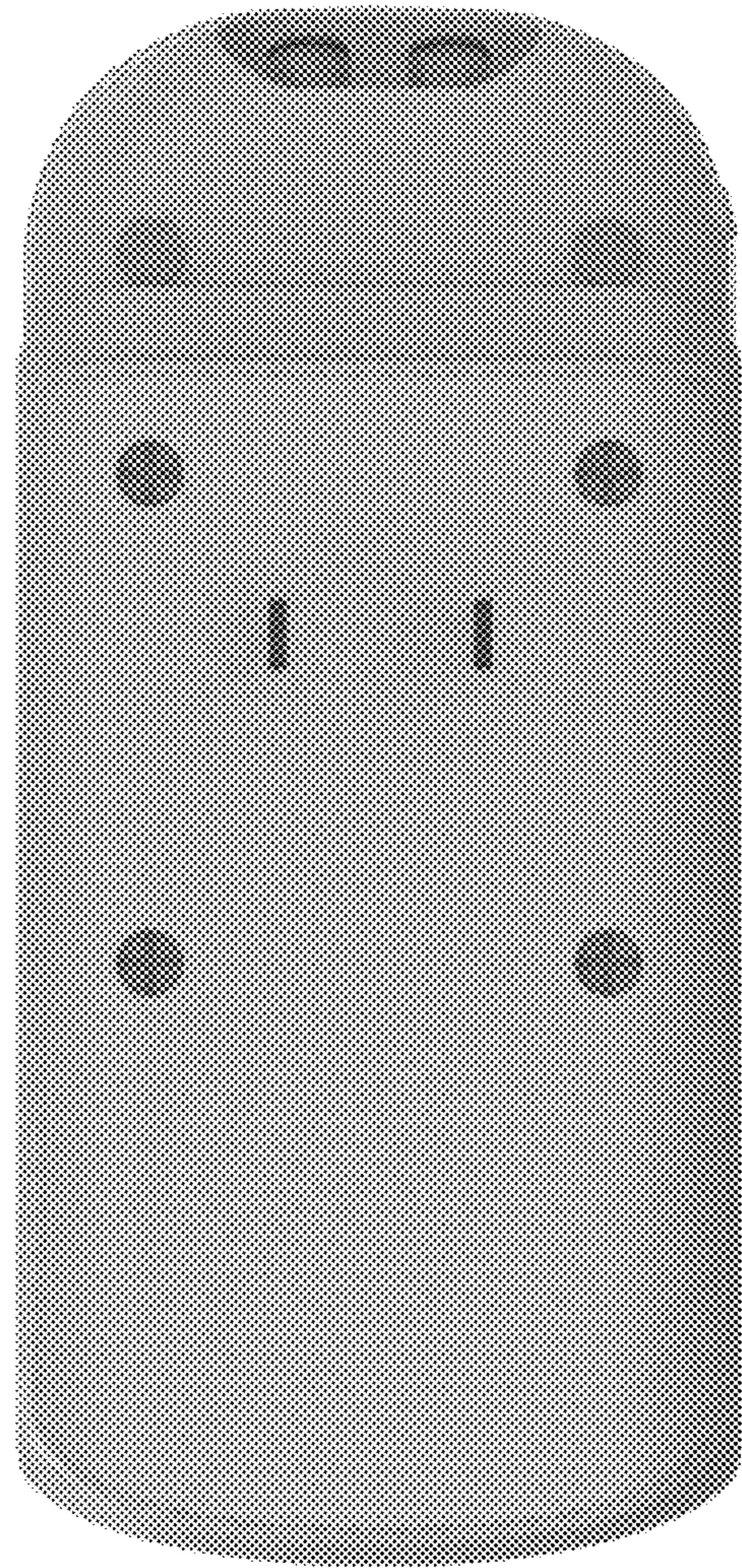


Fig.6

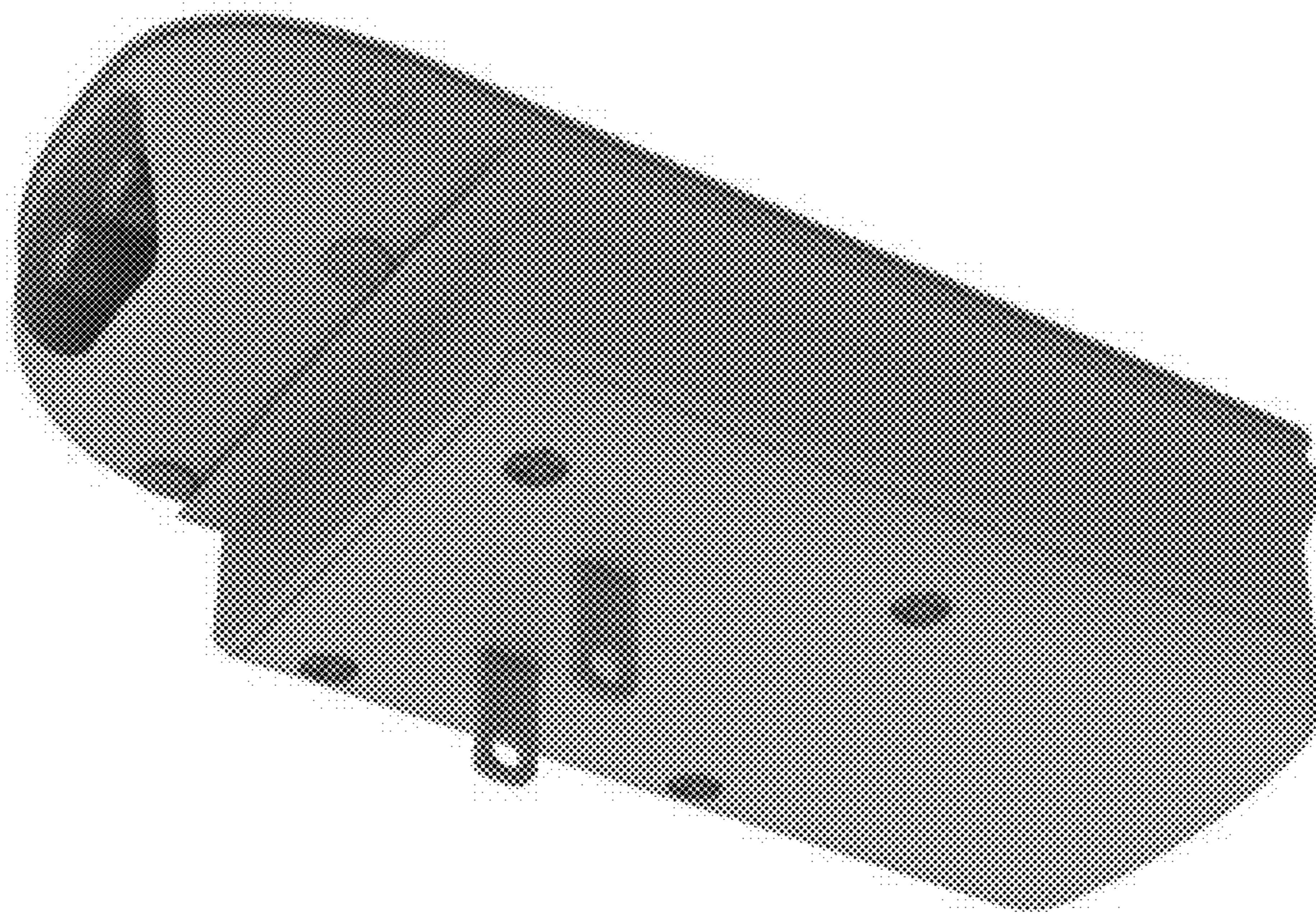


Fig.7