



US00D715467S

(12) **United States Design Patent**  
**Bretschneider et al.**

(10) **Patent No.:** **US D715,467 S**  
(45) **Date of Patent:** **\*\* Oct. 14, 2014**

(54) **LED LINEAR REPLACEMENT LAMP DESIGN**

(71) Applicants: **Eric Bretschneider**, Satellite Beach, FL (US); **Zachary Berkowitz**, San Francisco, CA (US); **Randall Sosnick**, Mill Valley, CA (US)

(72) Inventors: **Eric Bretschneider**, Satellite Beach, FL (US); **Zachary Berkowitz**, San Francisco, CA (US); **Randall Sosnick**, Mill Valley, CA (US)

(73) Assignee: **Next Lighting Corp.**, San Francisco, CA (US)

(\*\*) Term: **14 Years**

(21) Appl. No.: **29/433,653**

(22) Filed: **Oct. 2, 2012**

(51) **LOC (10) Cl.** ..... **23-03**

(52) **U.S. Cl.**  
USPC ..... **D26/24; D26/3**

(58) **Field of Classification Search**  
CPC G02B 6/0068; G02B 6/0073; F21Y 2101/02;  
F21Y 2103/003; F21Y 21/005  
USPC ..... D26/1, 2, 3, 24, 25, 37, 72, 79; 362/26,  
362/31, 555, 800, 552, 171, 178  
See application file for complete search history.

(56) **References Cited**

**U.S. PATENT DOCUMENTS**

D446,877 S \* 8/2001 Lester ..... D26/72

D477,093 S \* 7/2003 Moriyama et al. .... D26/3  
D477,094 S \* 7/2003 Moriyama et al. .... D26/3  
D506,274 S \* 6/2005 Moriyama et al. .... D26/3  
D513,082 S \* 12/2005 Hoshikawa et al. .... D26/25  
D560,014 S \* 1/2008 Lammel et al. .... D26/61  
D623,321 S \* 9/2010 Levine ..... D26/25

**OTHER PUBLICATIONS**

NEXT Lighting informational brochure. NEXTLamp LED linear replacement lamp and driver series. www.nextlighting.com May 2012.

\* cited by examiner

*Primary Examiner* — Brian N Vinson

(74) *Attorney, Agent, or Firm* — Wilson Sonsini Goodrich & Rosati

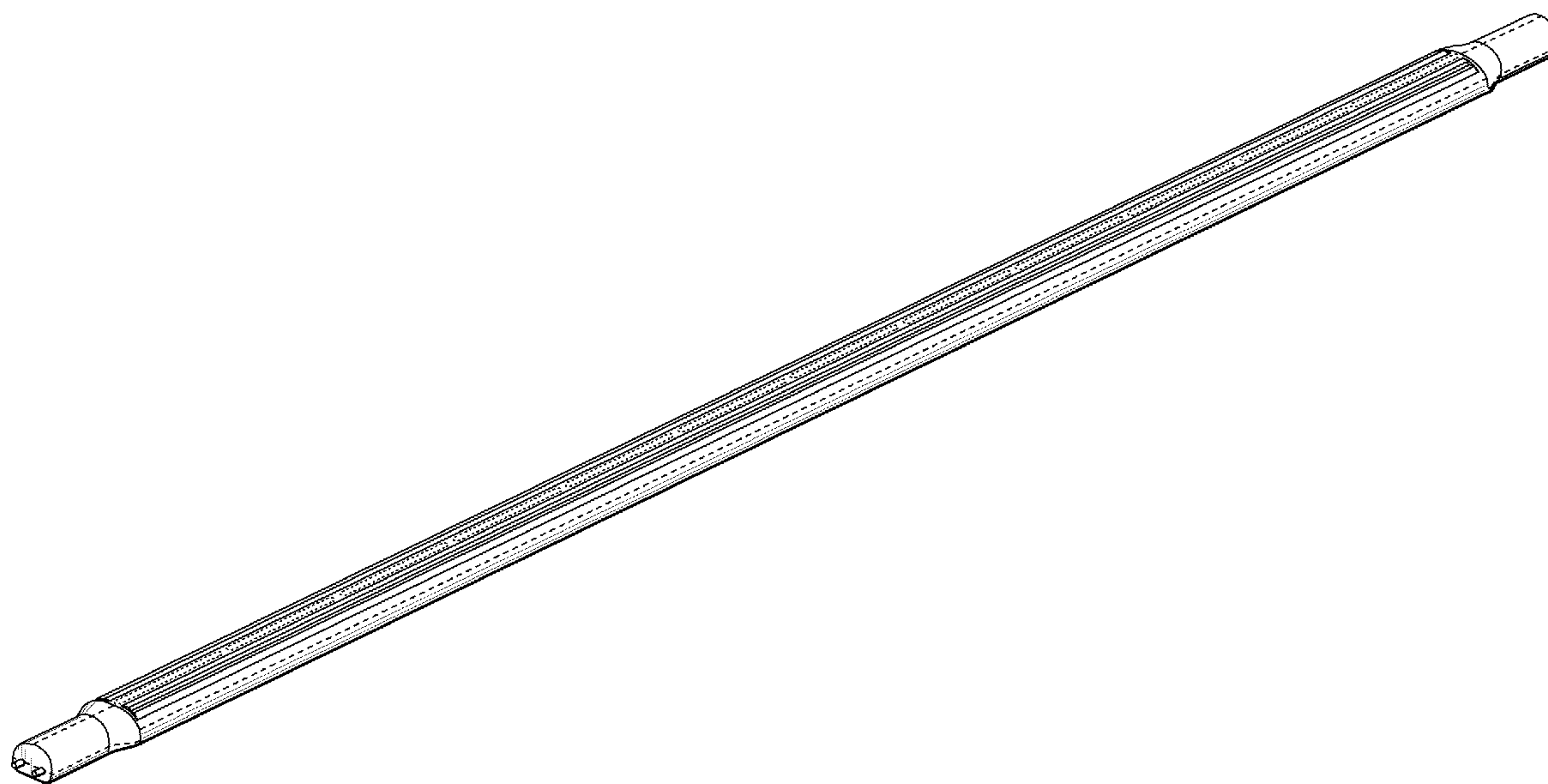
(57) **CLAIM**

The ornamental design for an LED linear replacement lamp design, as shown and described.

**DESCRIPTION**

FIG. 1 is a top perspective view of an LED linear replacement lamp showing our new design;  
FIG. 2 is a bottom perspective view thereof;  
FIG. 3 is a bottom view thereof;  
FIG. 4 is a side view thereof;  
FIG. 5 is a top view thereof; and,  
FIG. 6 is an end view thereof.  
The broken lines in FIGS. 1-6 are for illustrative purposes only and form no part of the claimed design.

**1 Claim, 4 Drawing Sheets**



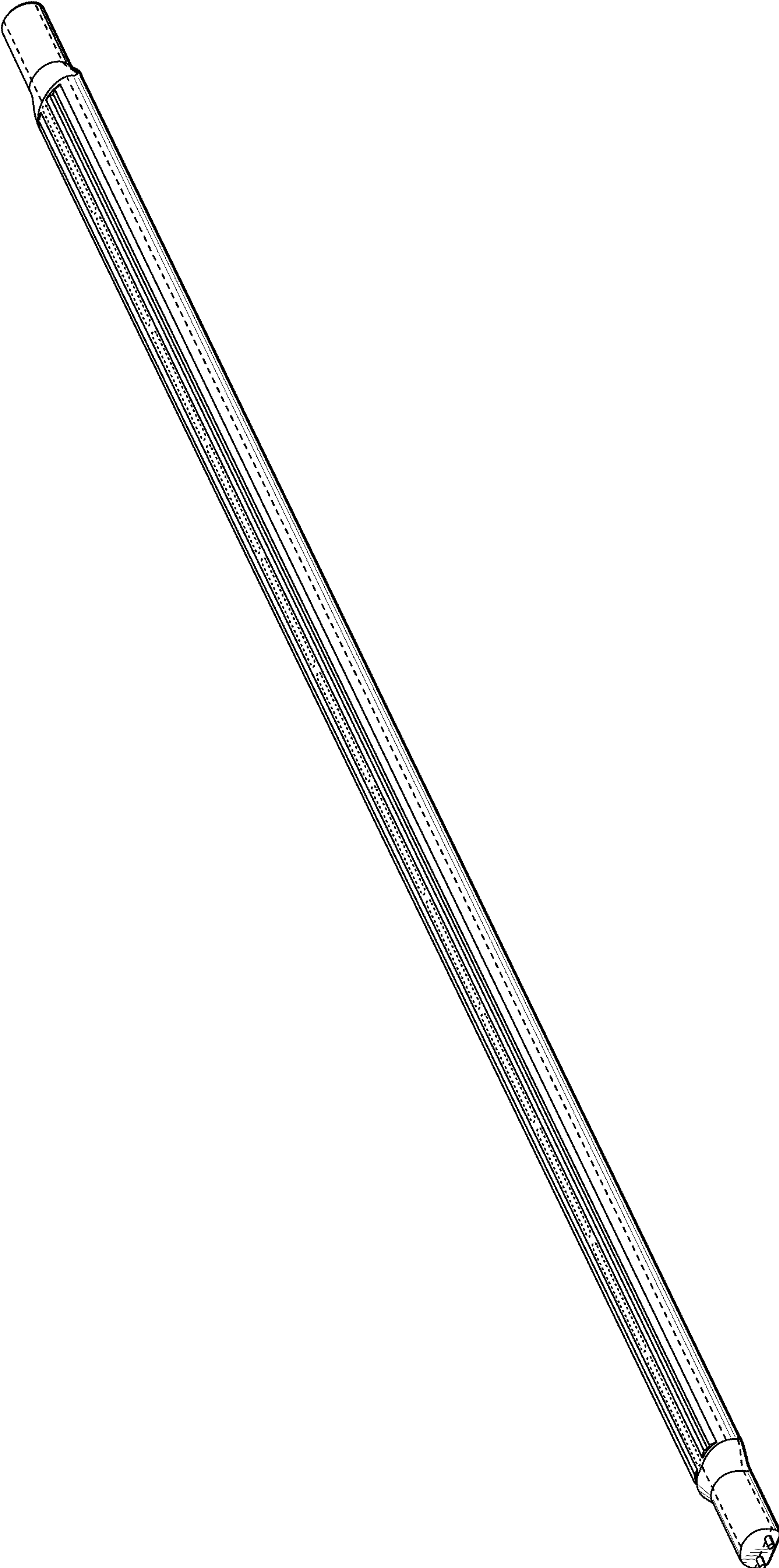


FIG. 1

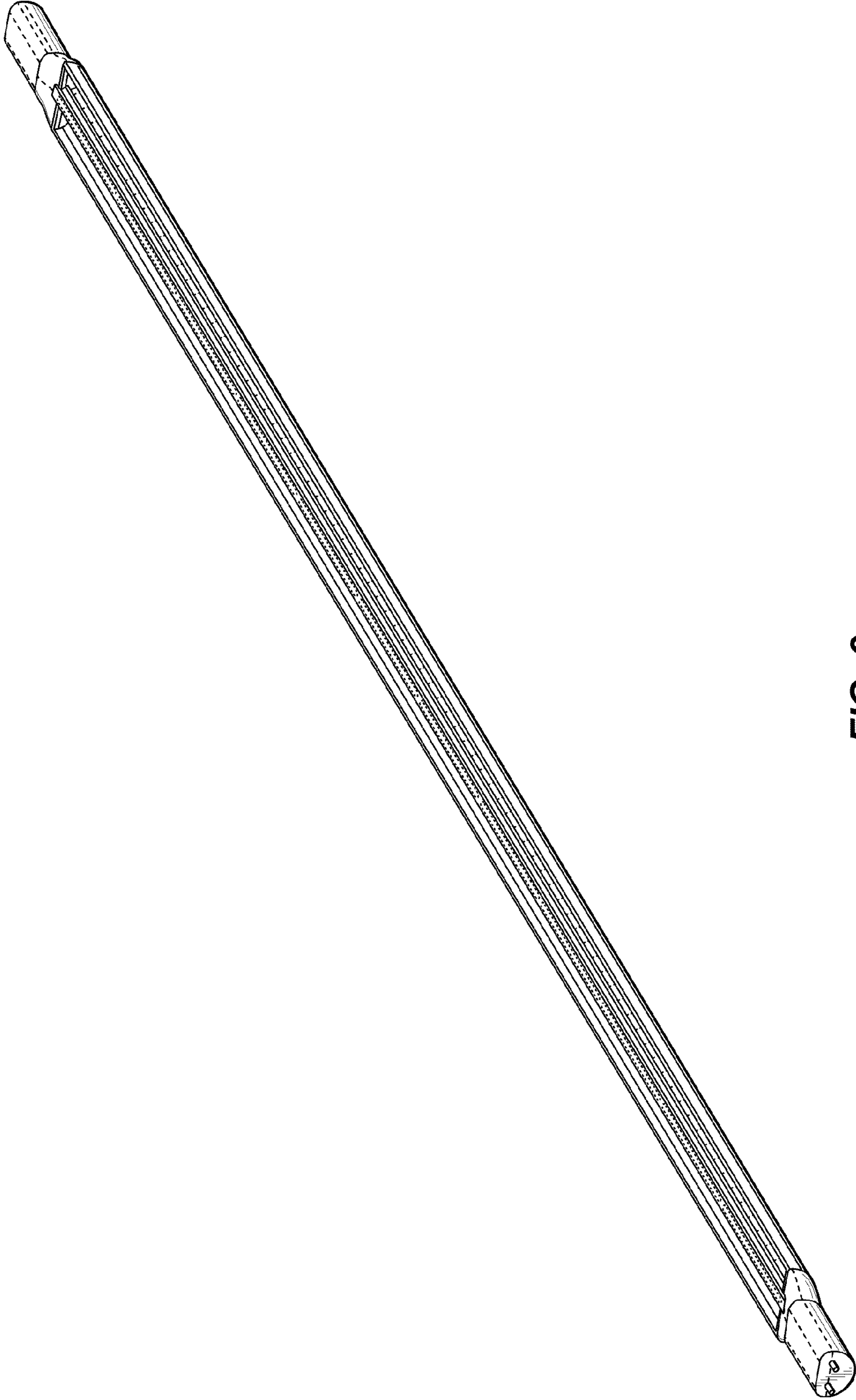
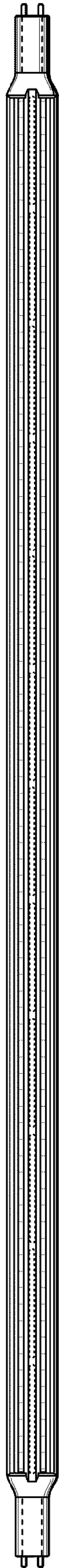
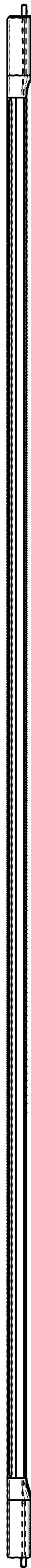


FIG. 2

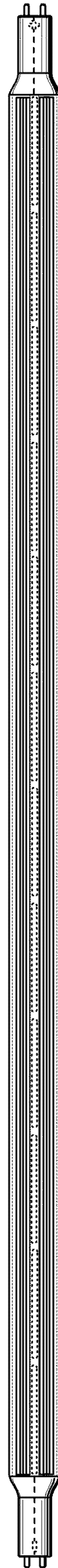




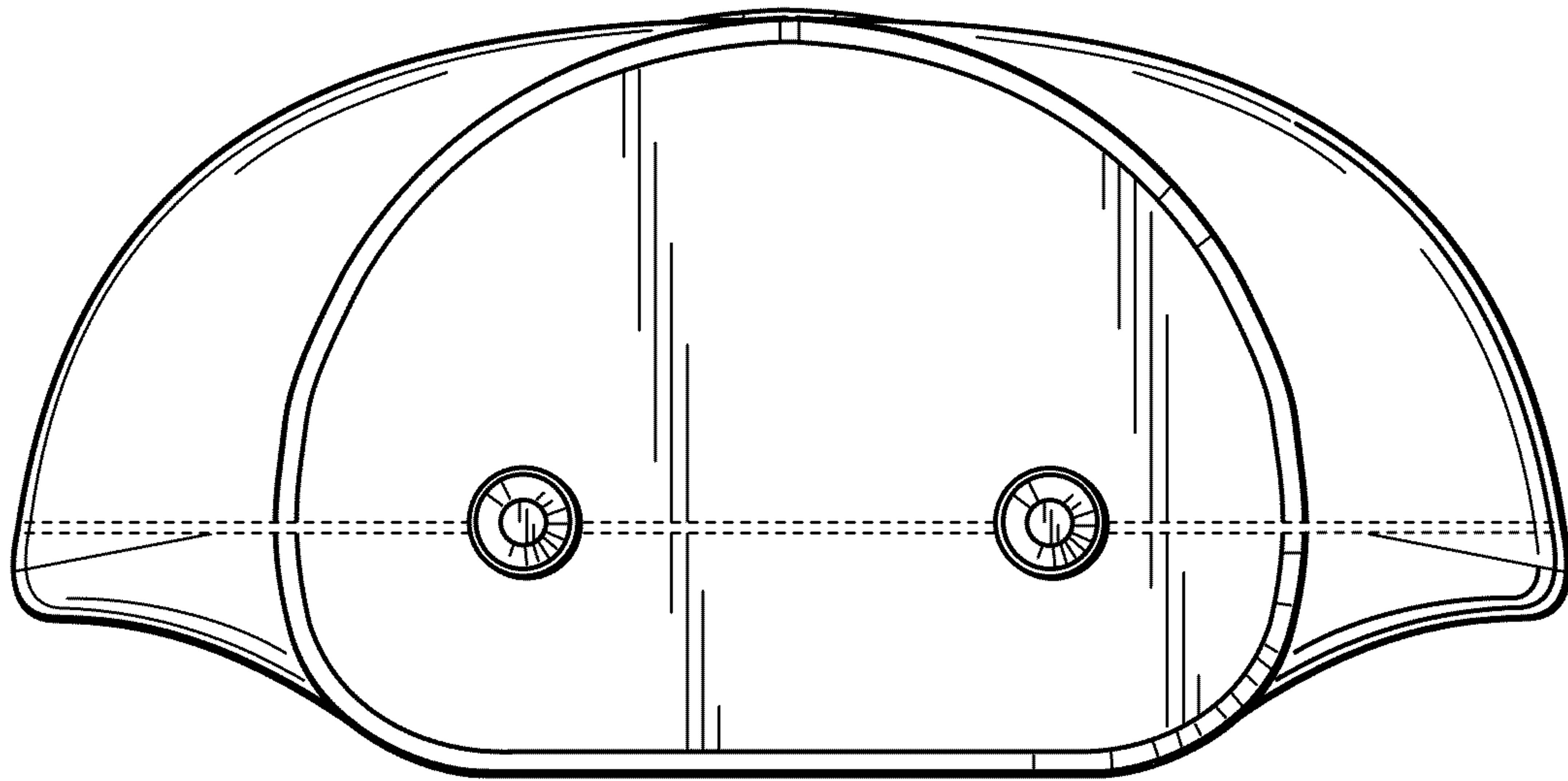
**FIG. 3**



**FIG. 4**



**FIG. 5**



**FIG. 6**