



US00D715466S

(12) **United States Design Patent**
Wang

(10) **Patent No.:** **US D715,466 S**

(45) **Date of Patent:** **** Oct. 14, 2014**

(54) **WATERPROOF LED LAMP TUBE**

(71) Applicant: **Lei Wang**, Guangdong Province (CN)

(72) Inventor: **Lei Wang**, Guangdong Province (CN)

(**) Term: **14 Years**

(21) Appl. No.: **29/433,317**

(22) Filed: **Sep. 28, 2012**

(51) **LOC (10) Cl.** **26-03**

(52) **U.S. Cl.**
USPC **D26/24**

(58) **Field of Classification Search**
USPC D26/1, 24, 51, 61, 72, 80, 82, 84, 113,
D26/34, 42; 362/154, 612, 231, 101, 219,
362/225, 249, 382, 249.01, 249.02, 249.03,
362/297, 217.1, 217.01, 217.12, 217.14,
362/217.15

See application file for complete search history.

(56) **References Cited**

U.S. PATENT DOCUMENTS

D416,344 S *	11/1999	Hawkins	D26/42
D497,442 S *	10/2004	Patel	D26/28
D648,466 S *	11/2011	Hickman	D26/24
D690,847 S *	10/2013	Wang	D26/24
D700,724 S *	3/2014	Waldmann	D26/24

* cited by examiner

Primary Examiner — Brian N Vinson

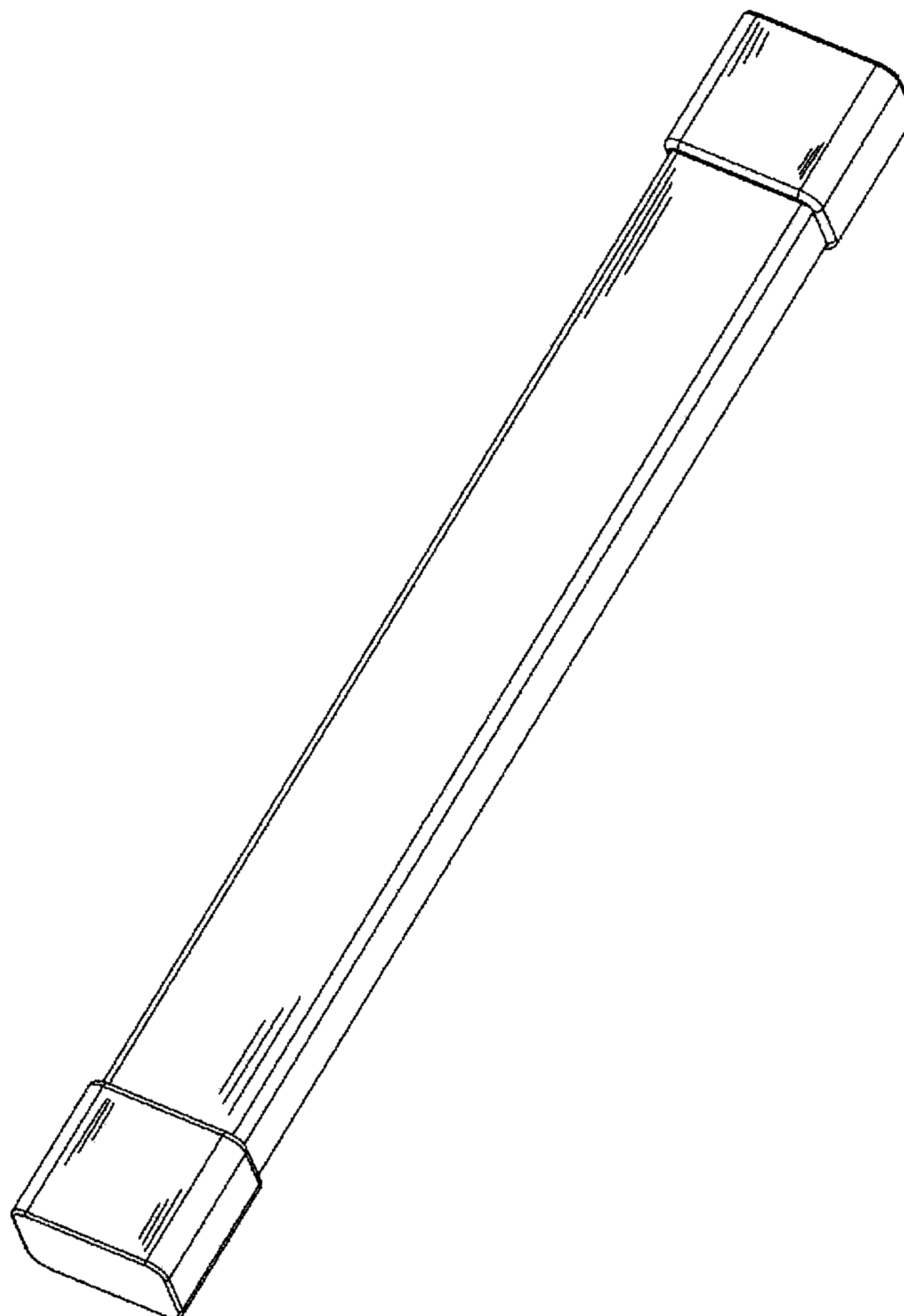
(57) **CLAIM**

The ornamental design for a waterproof LED lamp tube, as shown.

DESCRIPTION

FIG. 1 is a front elevational view of a waterproof LED lamp tube showing my new design;
FIG. 2 is a rear elevational view thereof;
FIG. 3 is a left side view thereof;
FIG. 4 is a right side view thereof;
FIG. 5 is a top plan view thereof;
FIG. 6 is a bottom plan view thereof; and,
FIG. 7 is perspective view thereof.

1 Claim, 3 Drawing Sheets



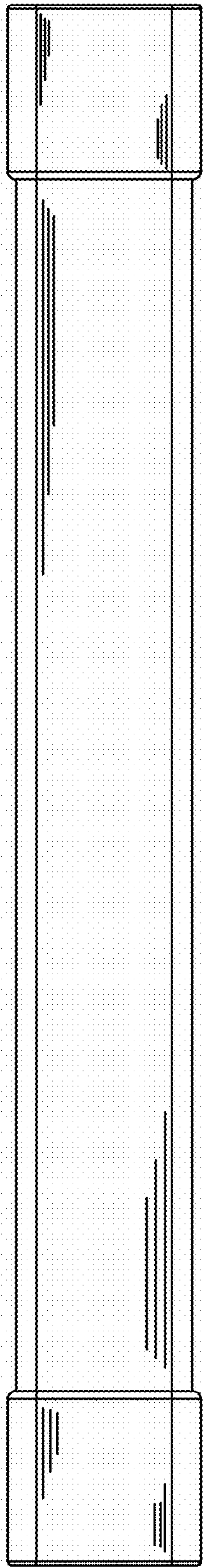


FIG. 1

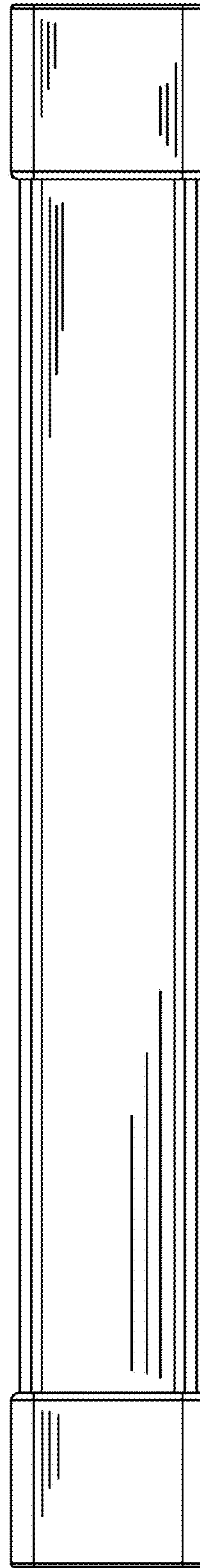


FIG. 2

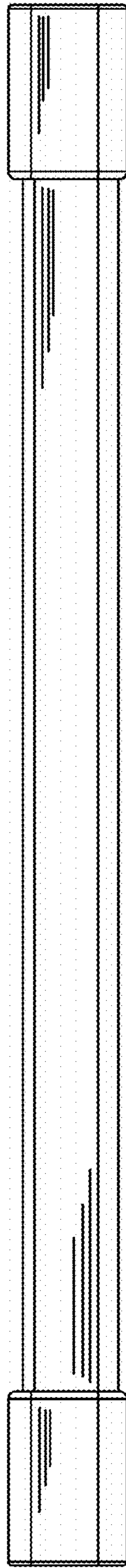


FIG. 3

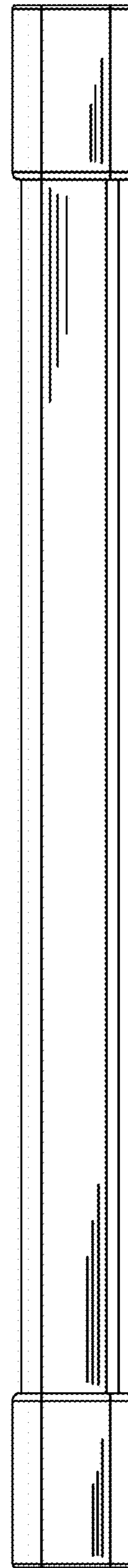


FIG. 4

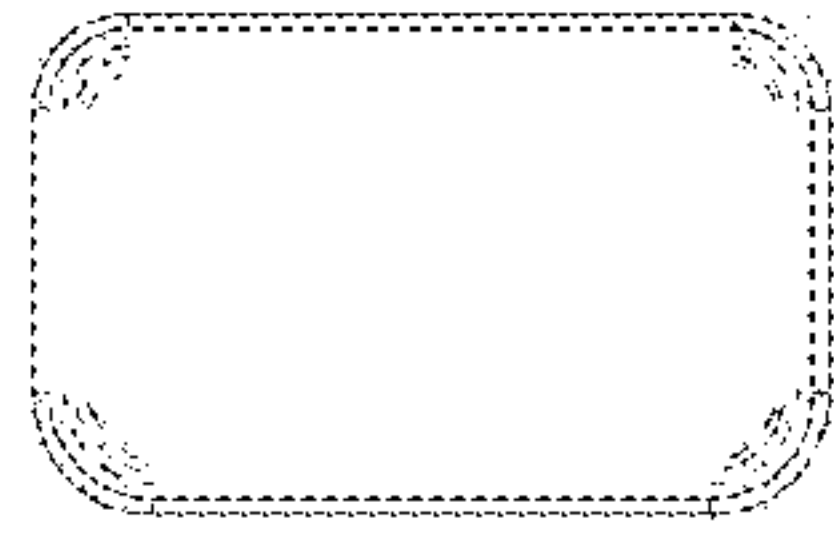


FIG. 5

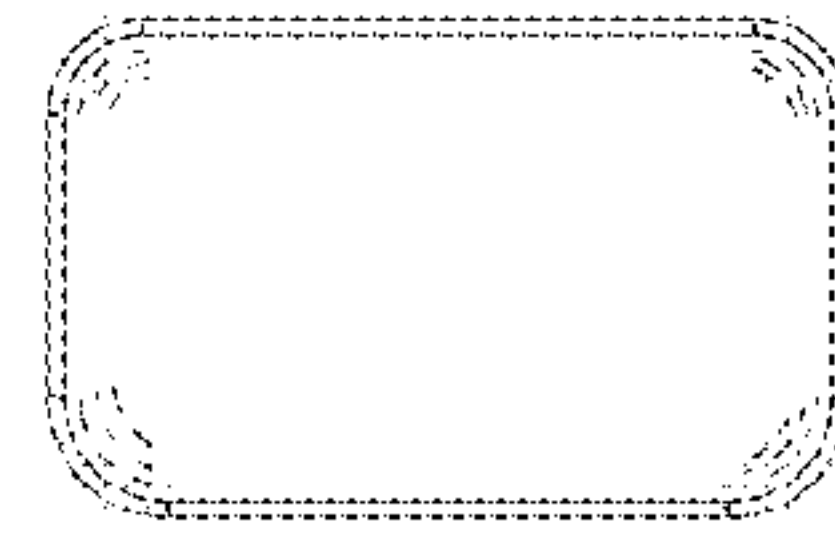


FIG. 6

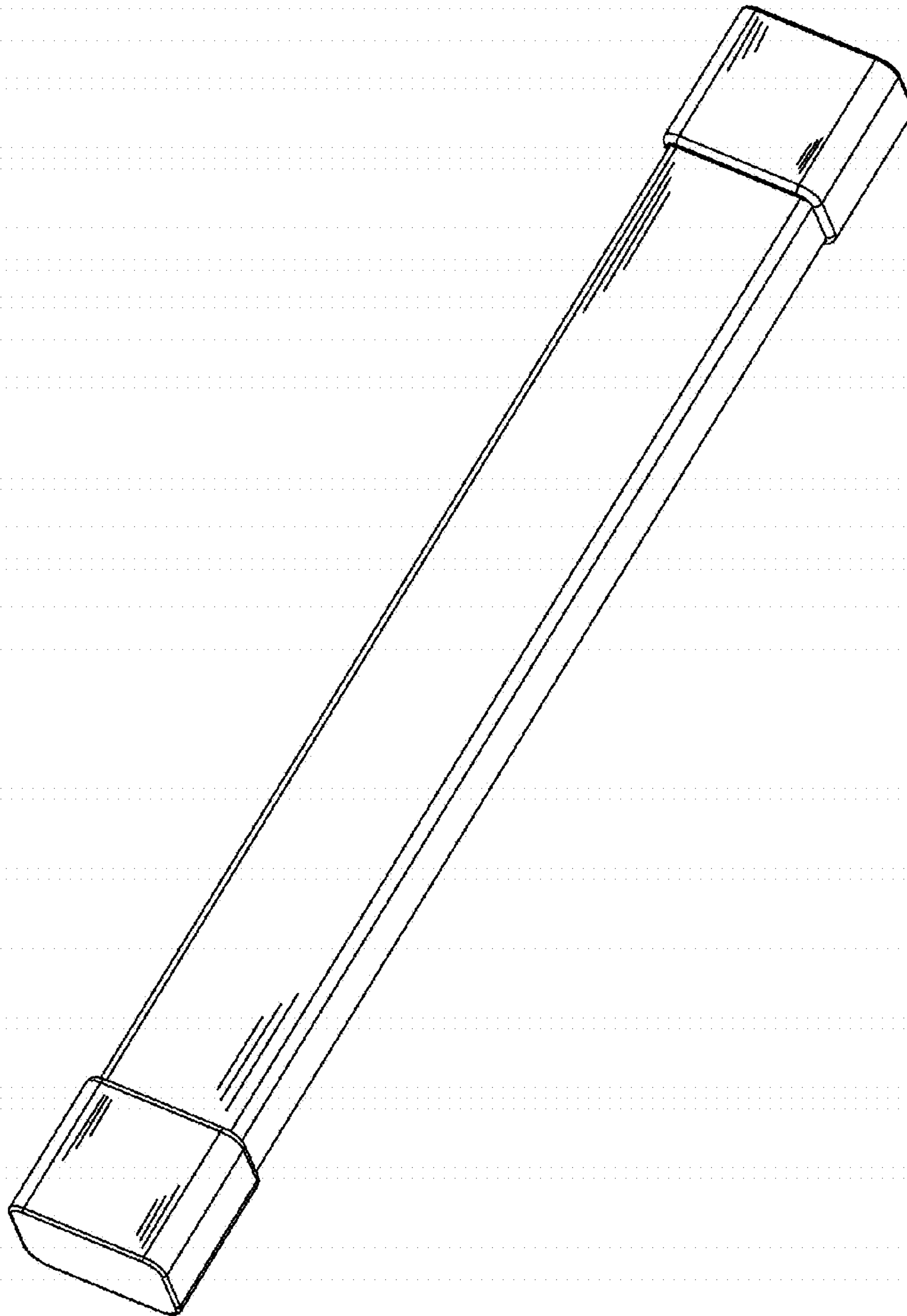


FIG. 7