



US00D715464S

(12) **United States Design Patent**
Hasuo et al.

(10) **Patent No.:** **US D715,464 S**
(45) **Date of Patent:** **** Oct. 14, 2014**

(54) **LIGHT-EMITTING DIODE LAMP**
(71) Applicant: **Panasonic Corporation**, Osaka (JP)
(72) Inventors: **Makoto Hasuo**, Osaka (JP); **Naoki Tagami**, Osaka (JP); **Koji Omura**, Osaka (JP); **Kazuo Gouda**, Kagawa (JP); **Kousuke Sugahara**, Kagawa (JP)

(73) Assignee: **Panasonic Corporation**, Osaka (JP)
(**) Term: **14 Years**

(21) Appl. No.: **29/465,524**

(22) Filed: **Aug. 29, 2013**

(30) **Foreign Application Priority Data**
Mar. 4, 2013 (JP) 2013-004572
(51) **LOC (10) Cl.** **26-04**
(52) **U.S. Cl.**
USPC **D26/2**
(58) **Field of Classification Search**
USPC D26/1-4; 313/313, 315, 316, 317, 318,
313/493; 315/52, 53, 56, 57, 58
See application file for complete search history.

(56) **References Cited**
U.S. PATENT DOCUMENTS
D340,295 S * 10/1993 Beauchamp D26/2
D422,099 S * 3/2000 Kracke D26/2
D549,360 S * 8/2007 An D26/2
D550,864 S * 9/2007 Hernandez et al. D26/2
D664,683 S 7/2012 Matsuda et al.
D671,663 S * 11/2012 Matsuda et al. D26/2

* cited by examiner
Primary Examiner — Marcus Jackson
(74) *Attorney, Agent, or Firm* — Panasonic Patent Center

(57) **CLAIM**
We claim the ornamental design for a light-emitting diode lamp, as shown and described.

DESCRIPTION
FIG. 1 is a top perspective view of a light-emitting diode lamp of the present invention;
FIG. 2 is a front view thereof;
FIG. 3 is a rear view thereof;
FIG. 4 is a first side view thereof;
FIG. 5 is a second side view thereof;
FIG. 6 is a top view thereof; and,
FIG. 7 is a bottom view thereof.
The broken line showing of light-emitting diode lamp is included for the purpose of illustrating environment and forms no part of the claimed design.

1 Claim, 7 Drawing Sheets

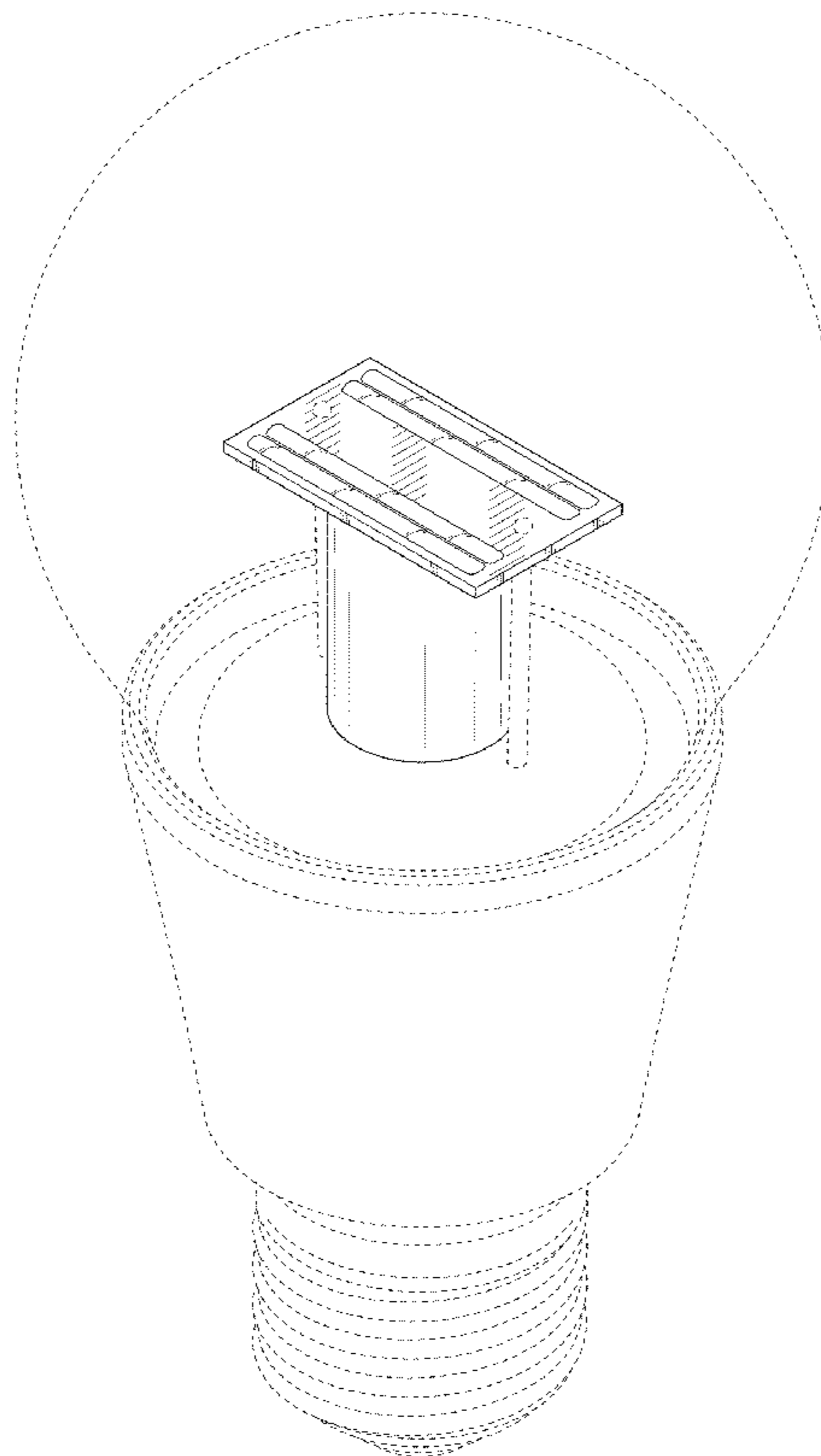


FIG. 1

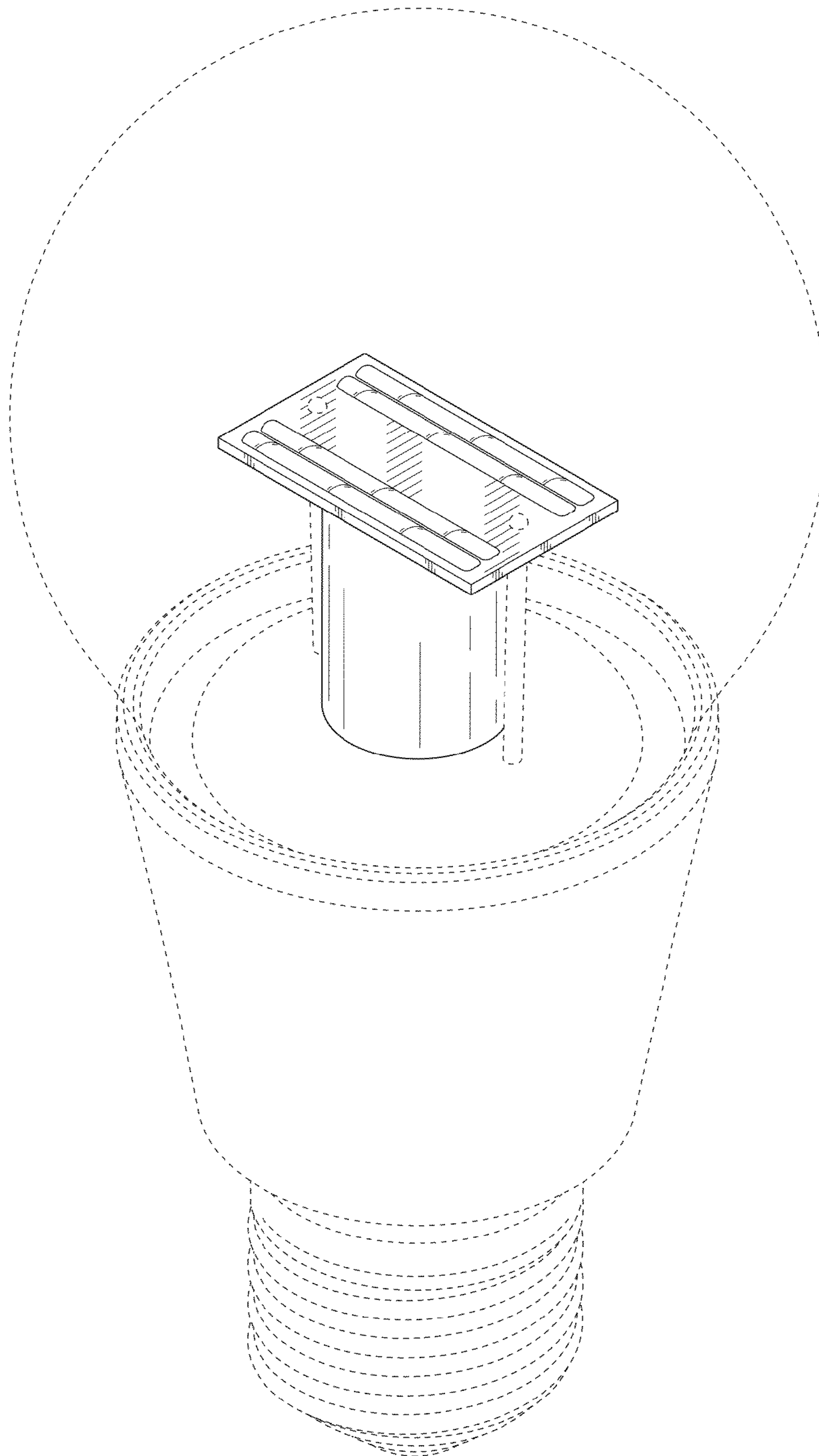


FIG. 2

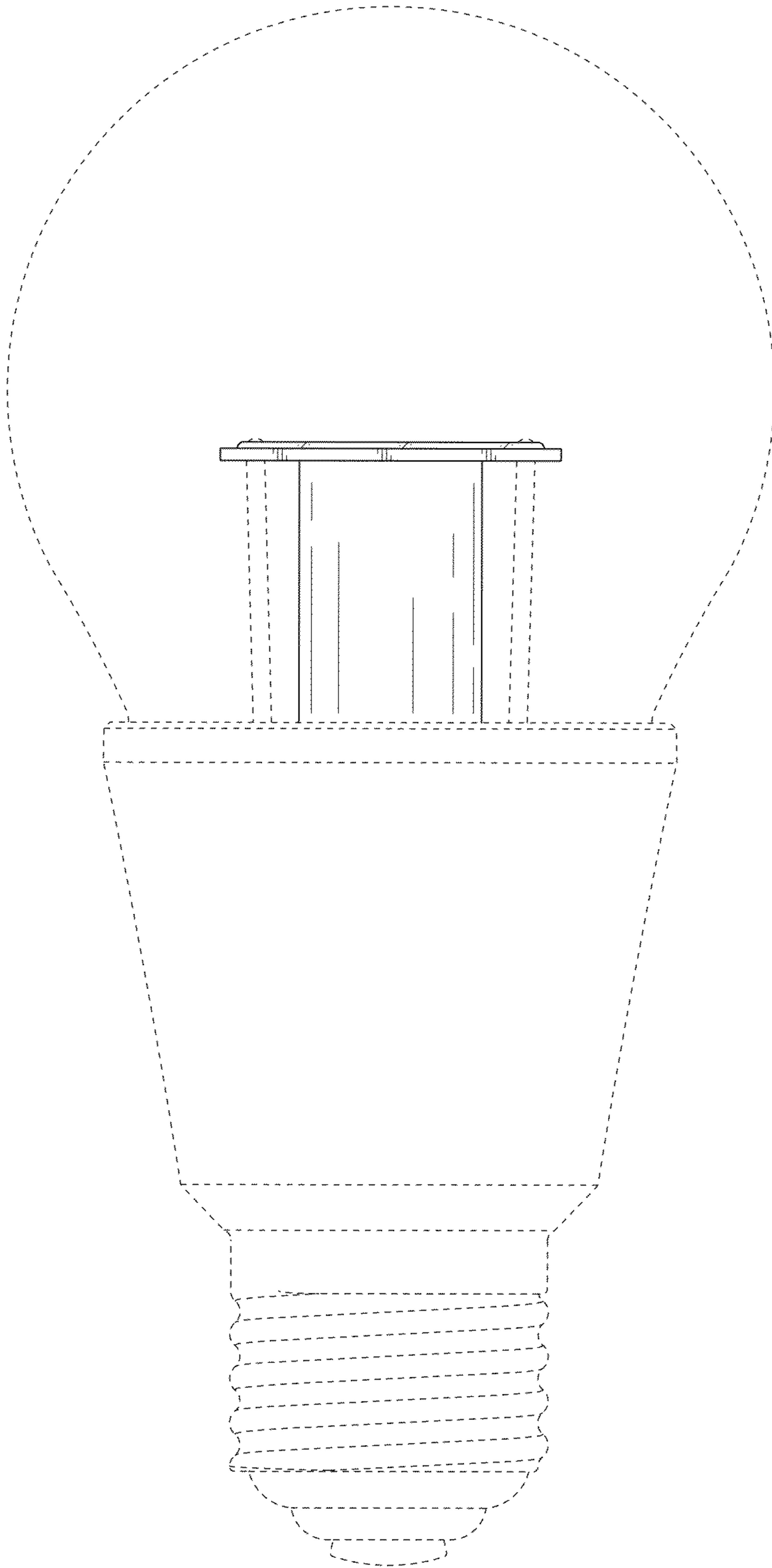


FIG. 3

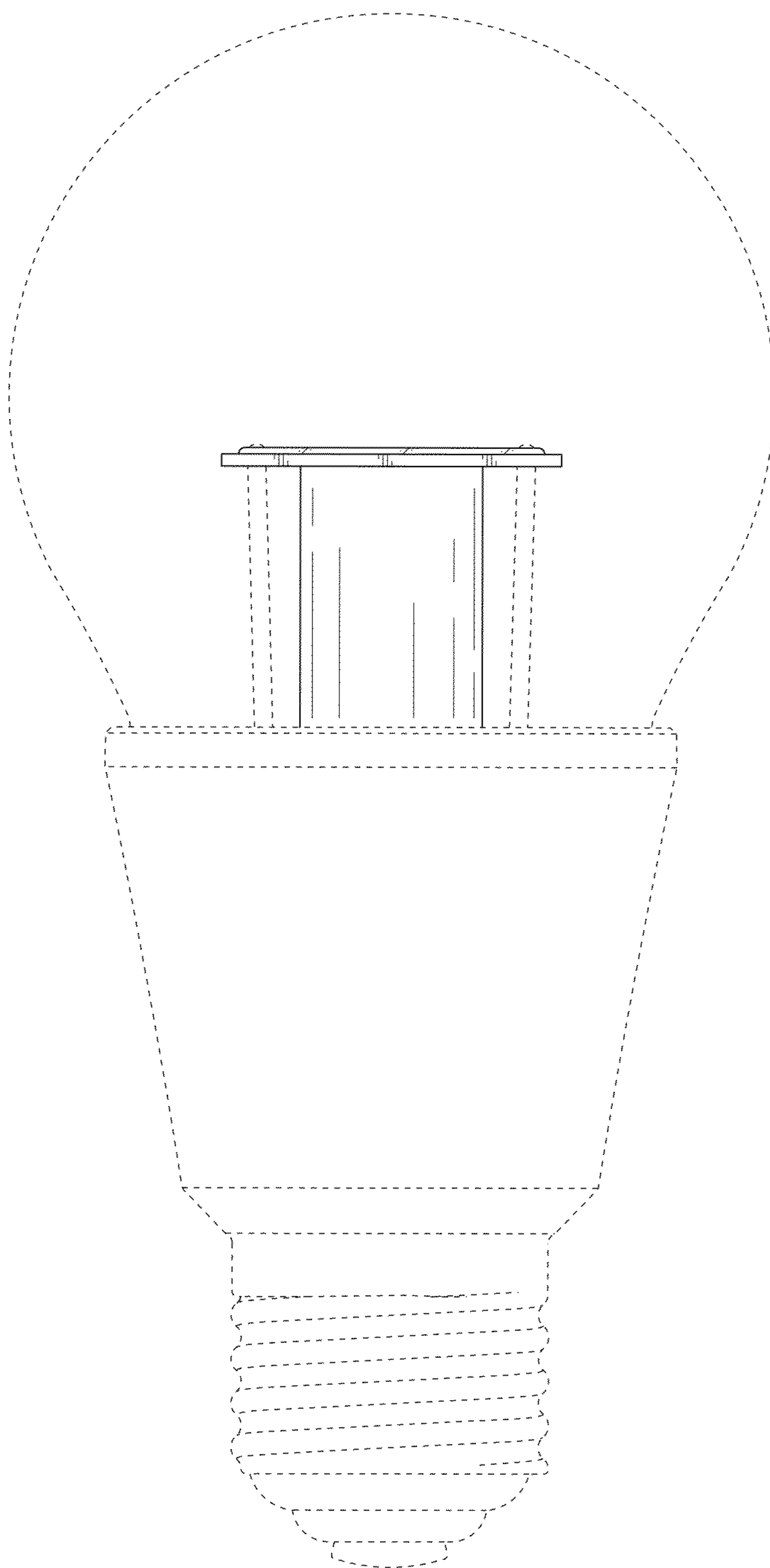


FIG. 4

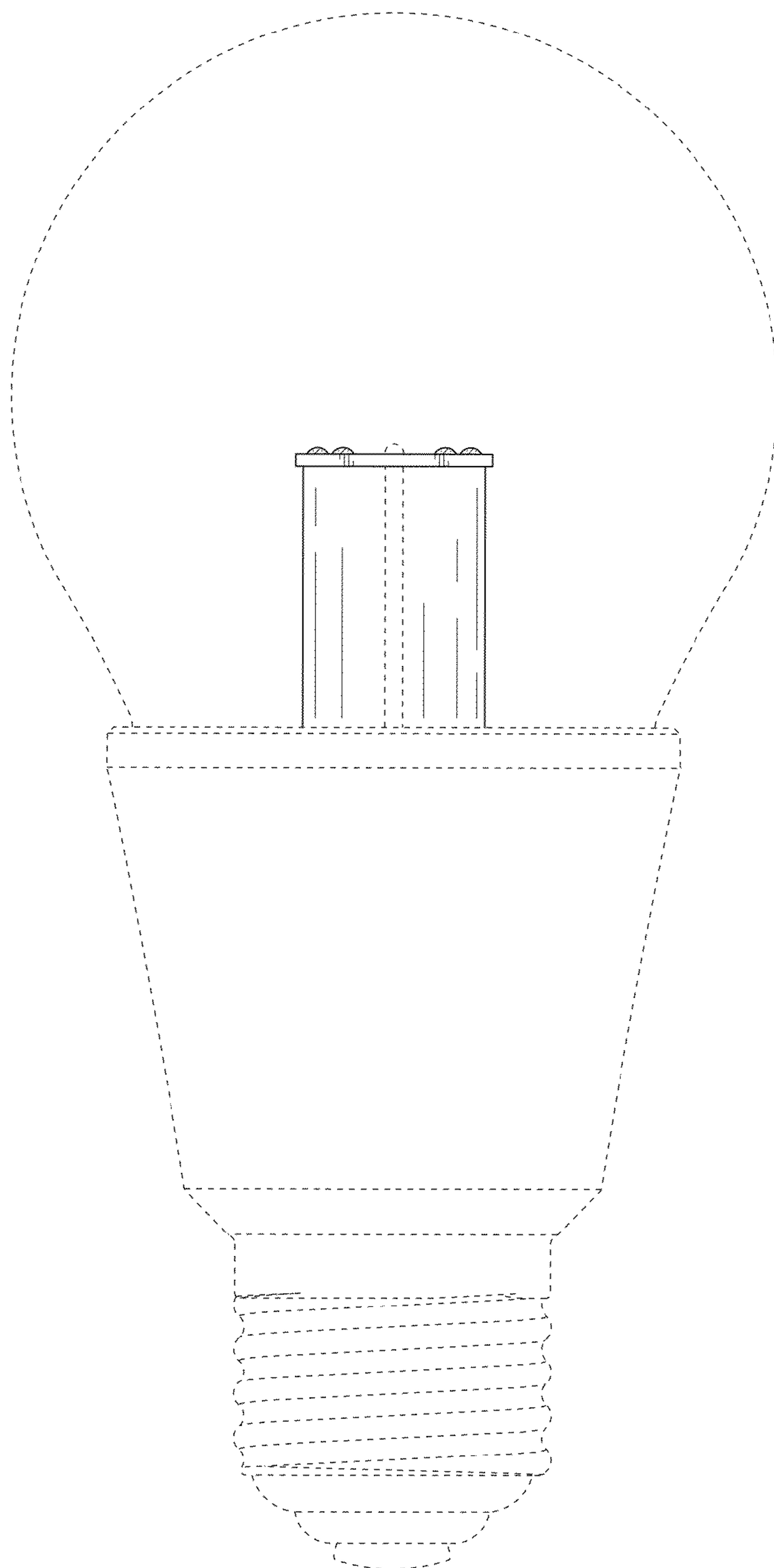


FIG. 5

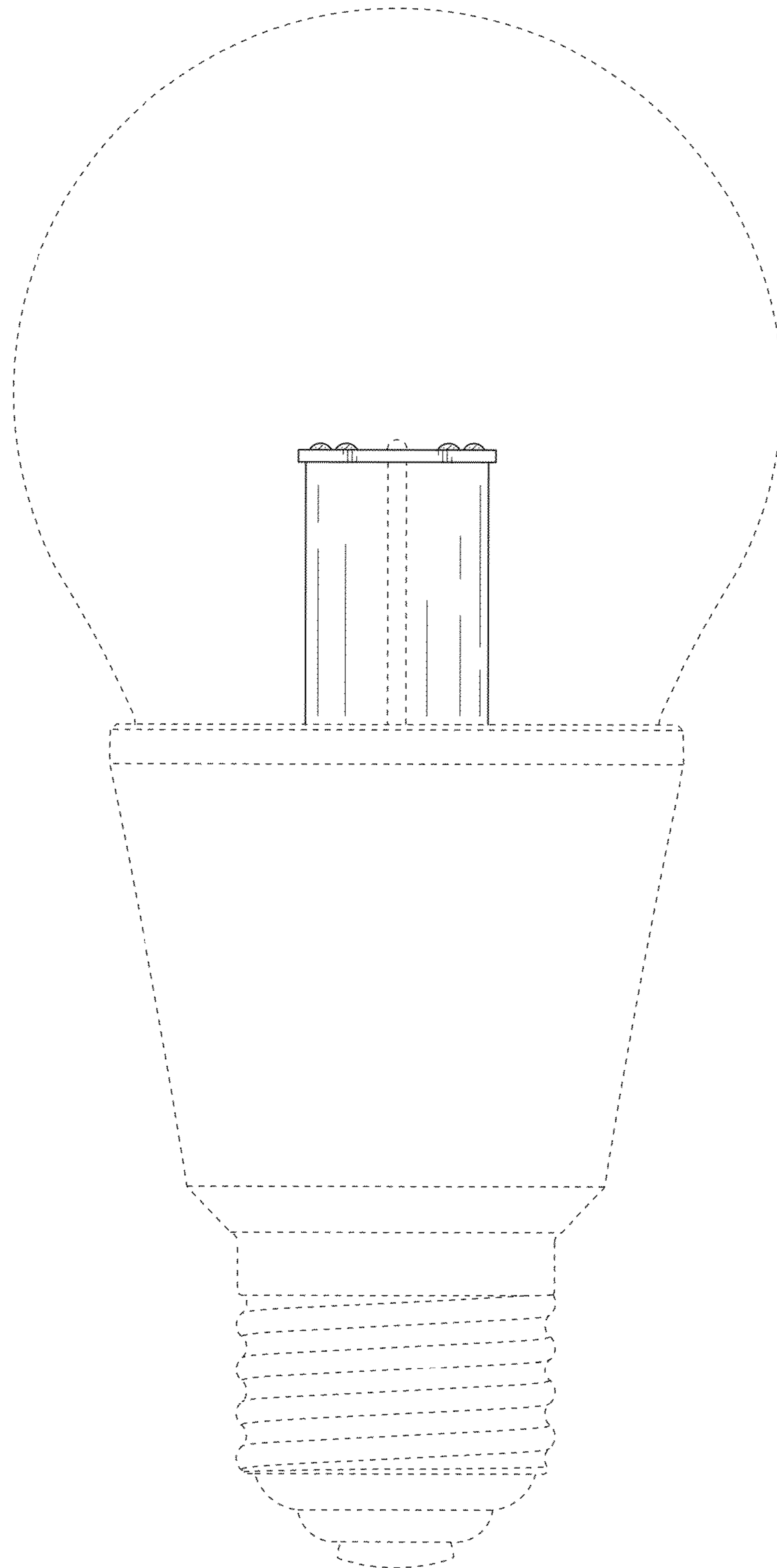


FIG. 6

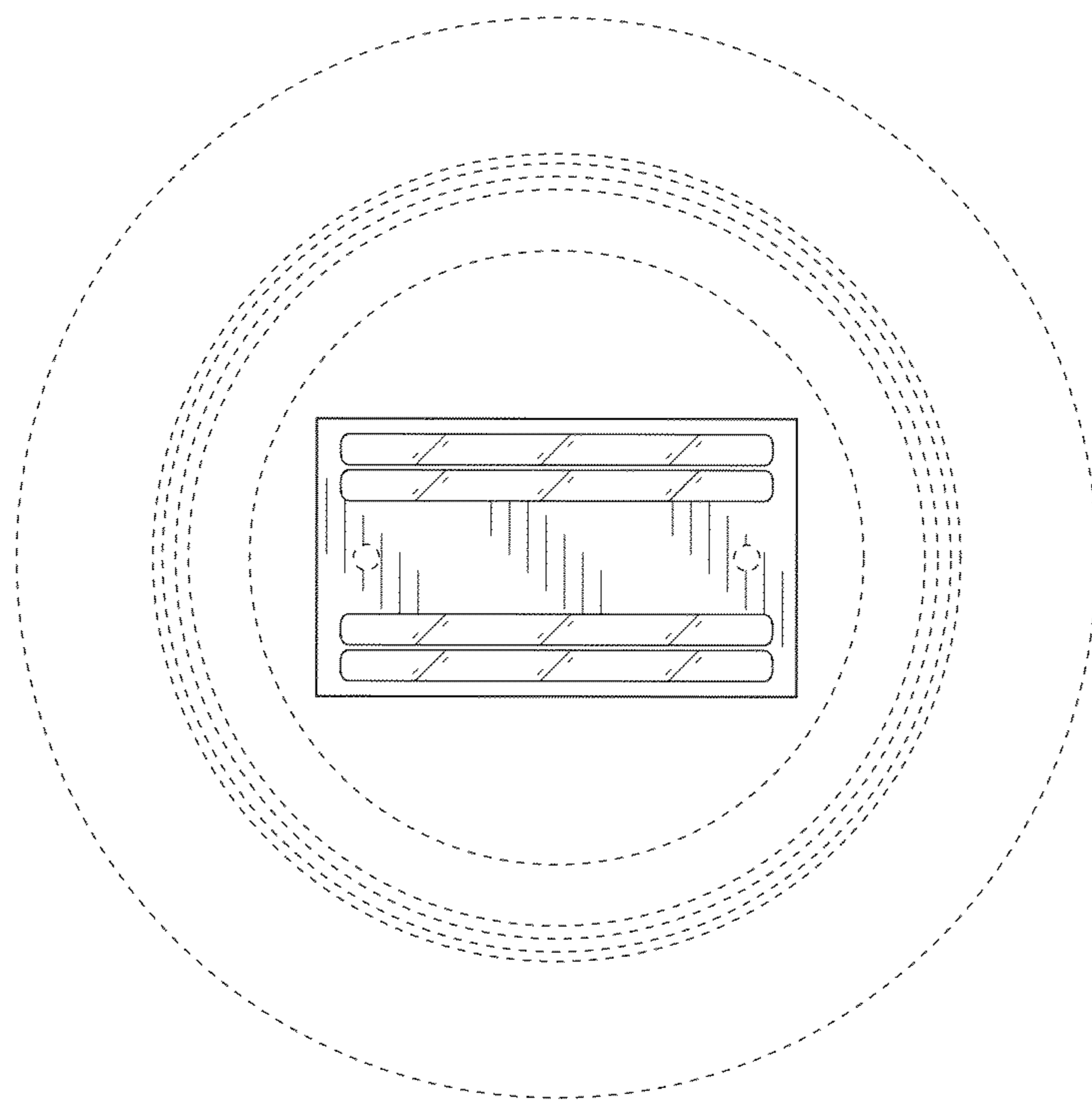


FIG. 7

