

US00D715462S

(12) **United States Design Patent**  
**Roberts et al.**

(10) **Patent No.:** **US D715,462 S**  
(45) **Date of Patent:** **\*\* Oct. 14, 2014**

(54) **LED BASED LIGHT BULB**

(71) Applicant: **General Electric Company,**  
Schenectady, NY (US)

(72) Inventors: **Bruce R. Roberts,** Cleveland, OH (US);  
**Thomas Alexander Knapp,** Cleveland,  
OH (US)

(73) Assignee: **GE Lighting Solutions LLC,** Cleveland,  
OH (US)

(\*\*) Term: **14 Years**

(21) Appl. No.: **29/434,399**

(22) Filed: **Oct. 12, 2012**

(51) **LOC (10) Cl.** ..... **26-04**

(52) **U.S. Cl.**  
USPC ..... **D26/2**

(58) **Field of Classification Search**  
USPC ..... D26/1-4; 313/313, 315, 316, 317, 318,  
313/493; 315/52, 53, 56, 57, 58  
See application file for complete search history.

(56) **References Cited**

**U.S. PATENT DOCUMENTS**

D543,288 S \* 5/2007 Bembridge ..... D26/2  
D558,904 S \* 1/2008 Tsuruha et al. .... D26/2  
D579,130 S \* 10/2008 Hernandez et al. .... D26/2

D600,368 S \* 9/2009 Bertram et al. .... D26/2  
D610,272 S \* 2/2010 Guo et al. .... D26/2  
D669,611 S \* 10/2012 Yamamoto et al. .... D26/2  
D675,755 S \* 2/2013 Yamamoto et al. .... D26/2  
D689,216 S \* 9/2013 Chow et al. .... D26/2

\* cited by examiner

*Primary Examiner* — Marcus Jackson

(74) *Attorney, Agent, or Firm* — Fay Sharpe LLP

(57) **CLAIM**

The ornamental design for a LED based light bulb, as shown and described.

**DESCRIPTION**

FIG. 1 is a front elevational view of a LED based light bulb showing our new design;

FIG. 2 is a side plan view of the design of FIG. 1 rotated 30° respective to the side plan view of FIG. 1;

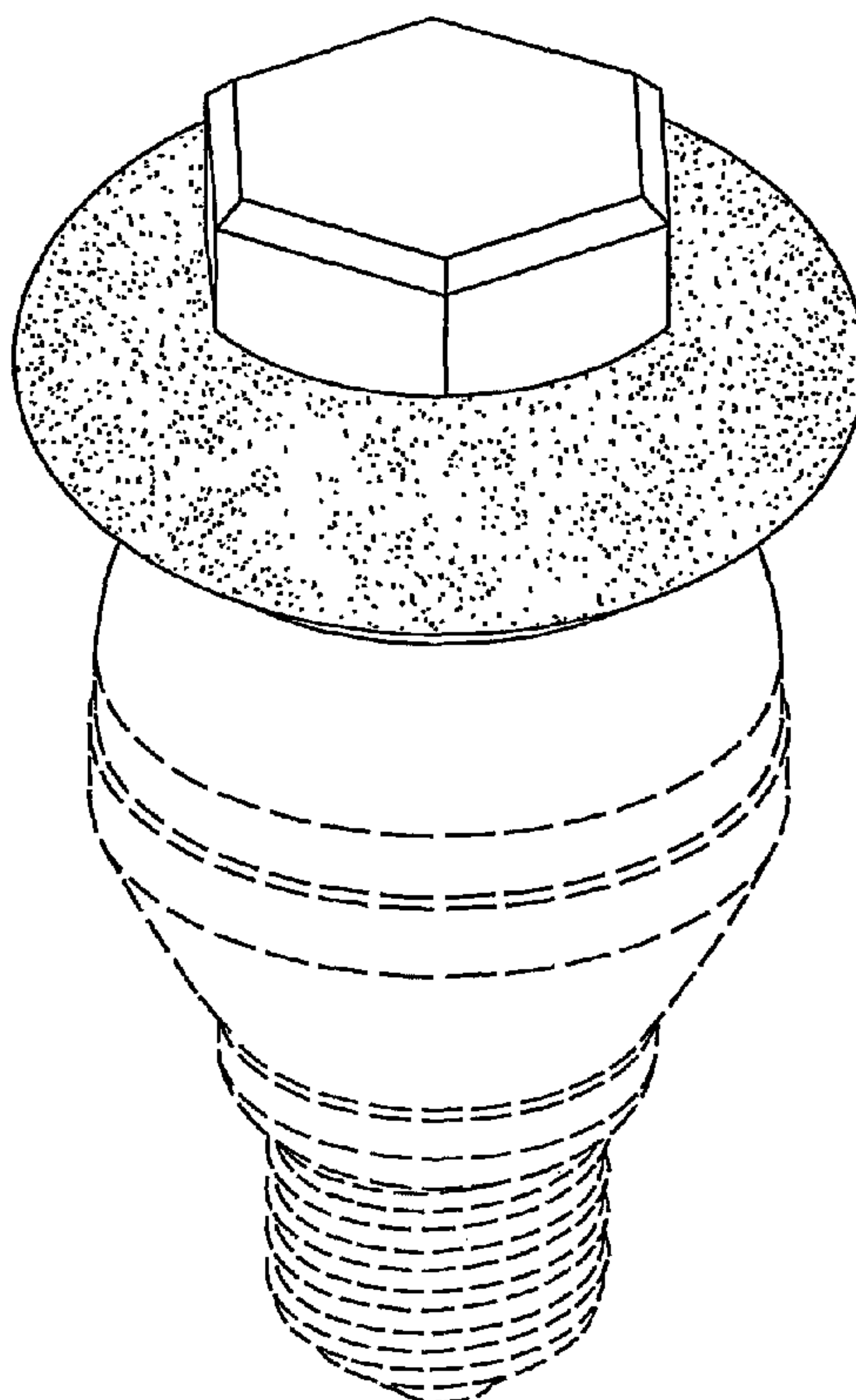
FIG. 3 is a top plan view of the design of FIG. 1;

FIG. 4 is a bottom plan view of the design of FIG. 1; and,

FIG. 5 is a perspective view of the design of FIG. 1.

Any broken line illustrations in the drawings are not part of the design sought to be patented. Speckling indicates frosted glass or another translucent light diffusive surface, and a relatively higher density of speckling indicates the surface has relatively higher light diffusiveness (i.e., relatively reduced visibility through the surface).

**1 Claim, 4 Drawing Sheets**



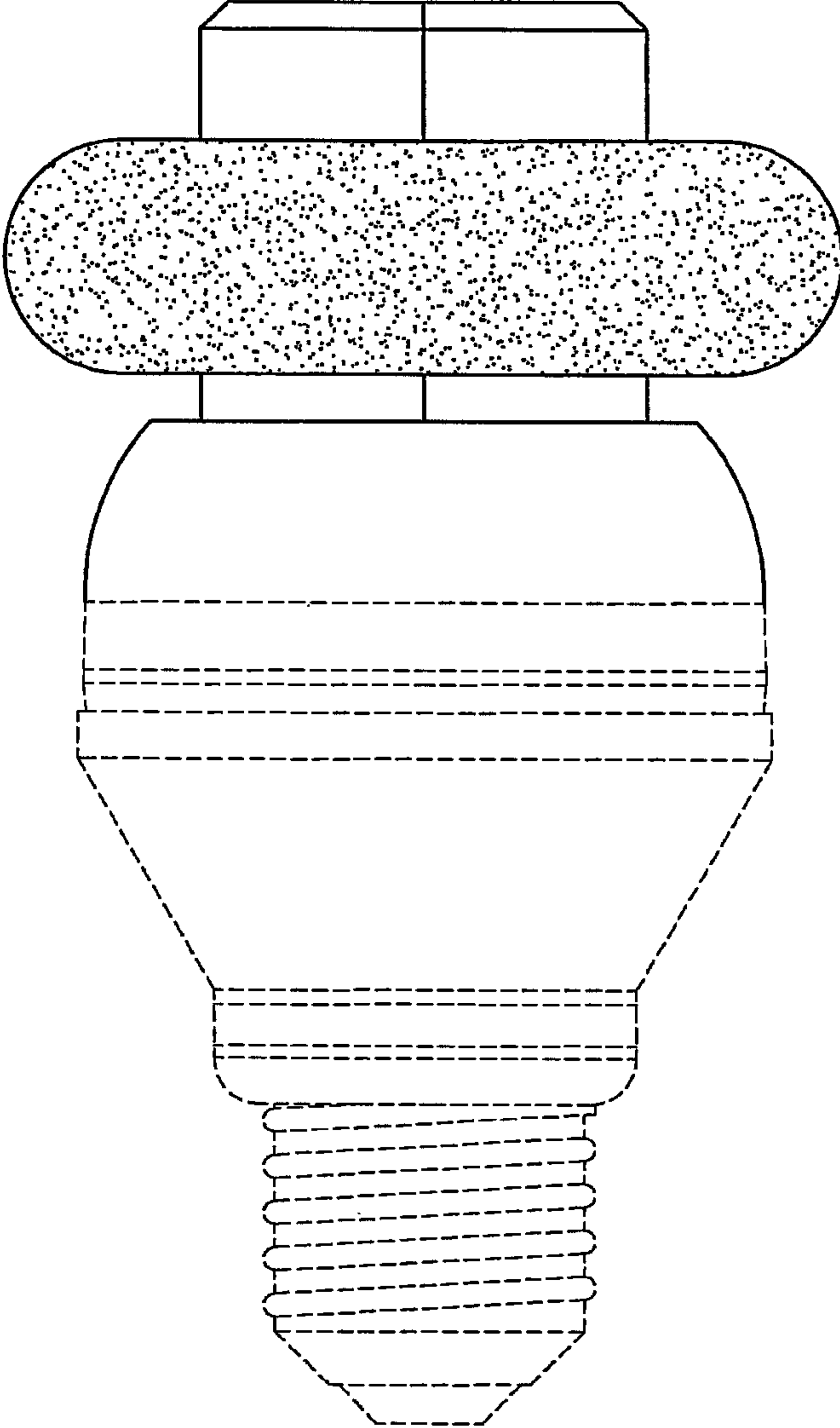


FIG. 1

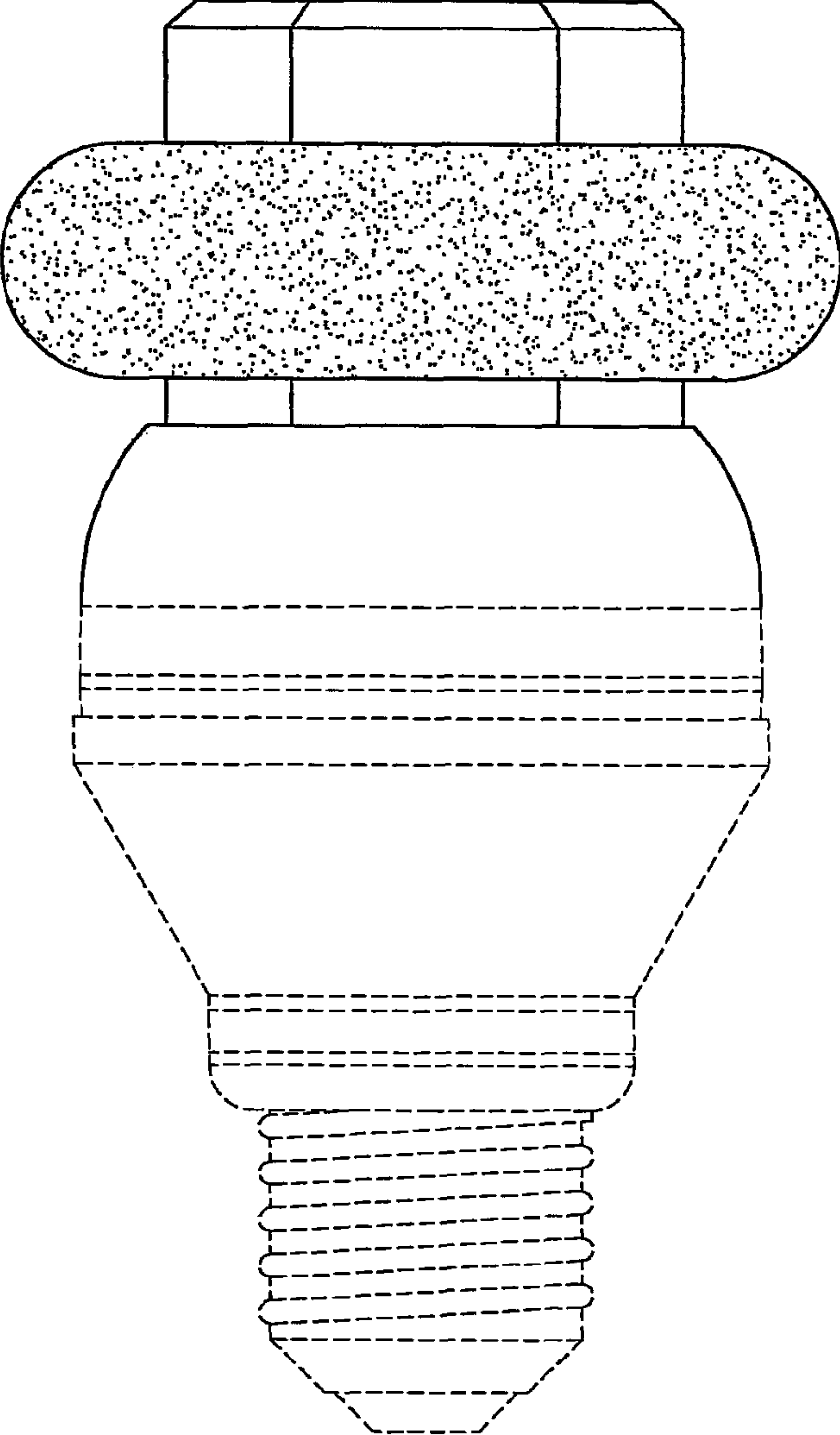


FIG. 2

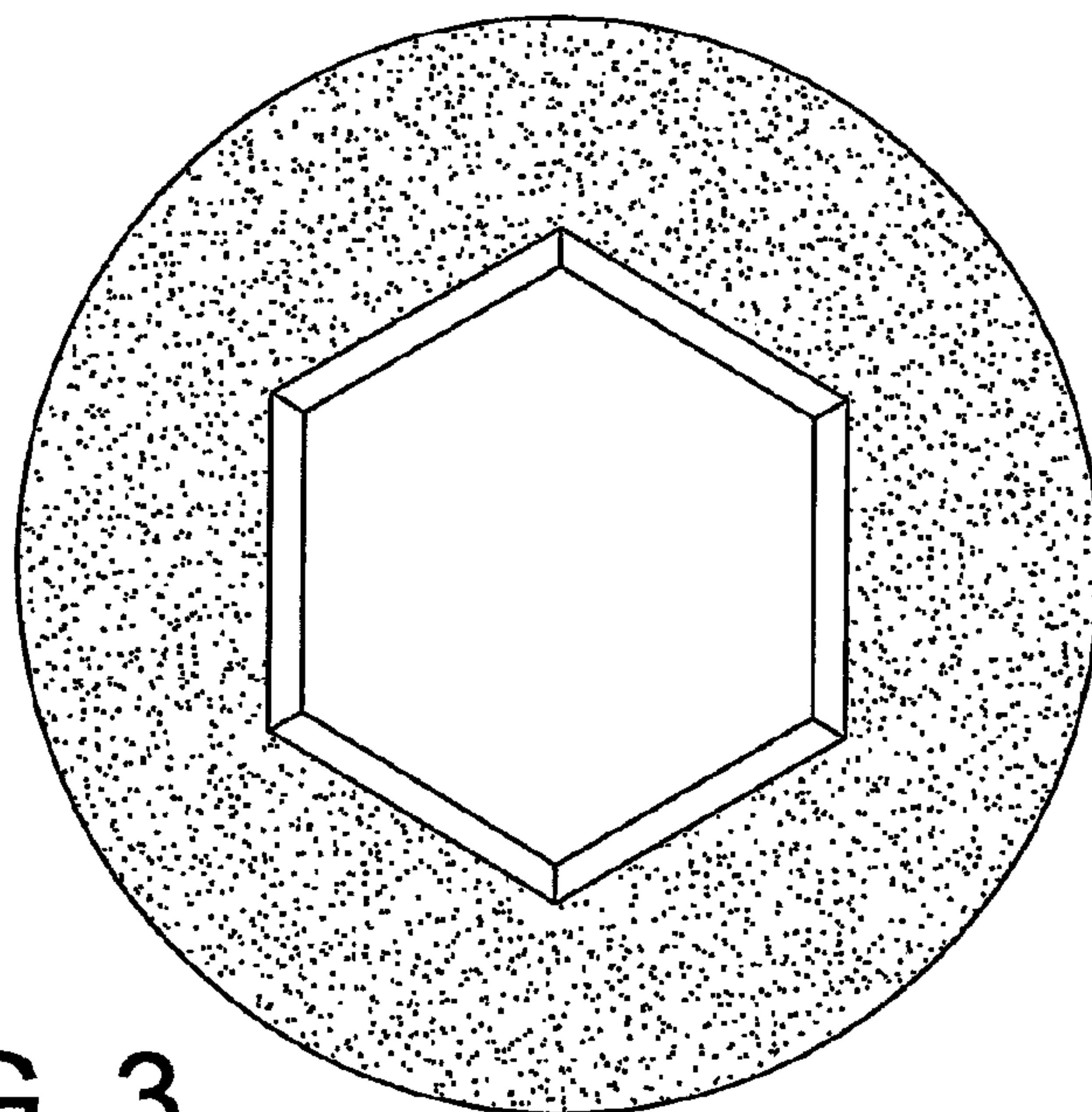


FIG. 3

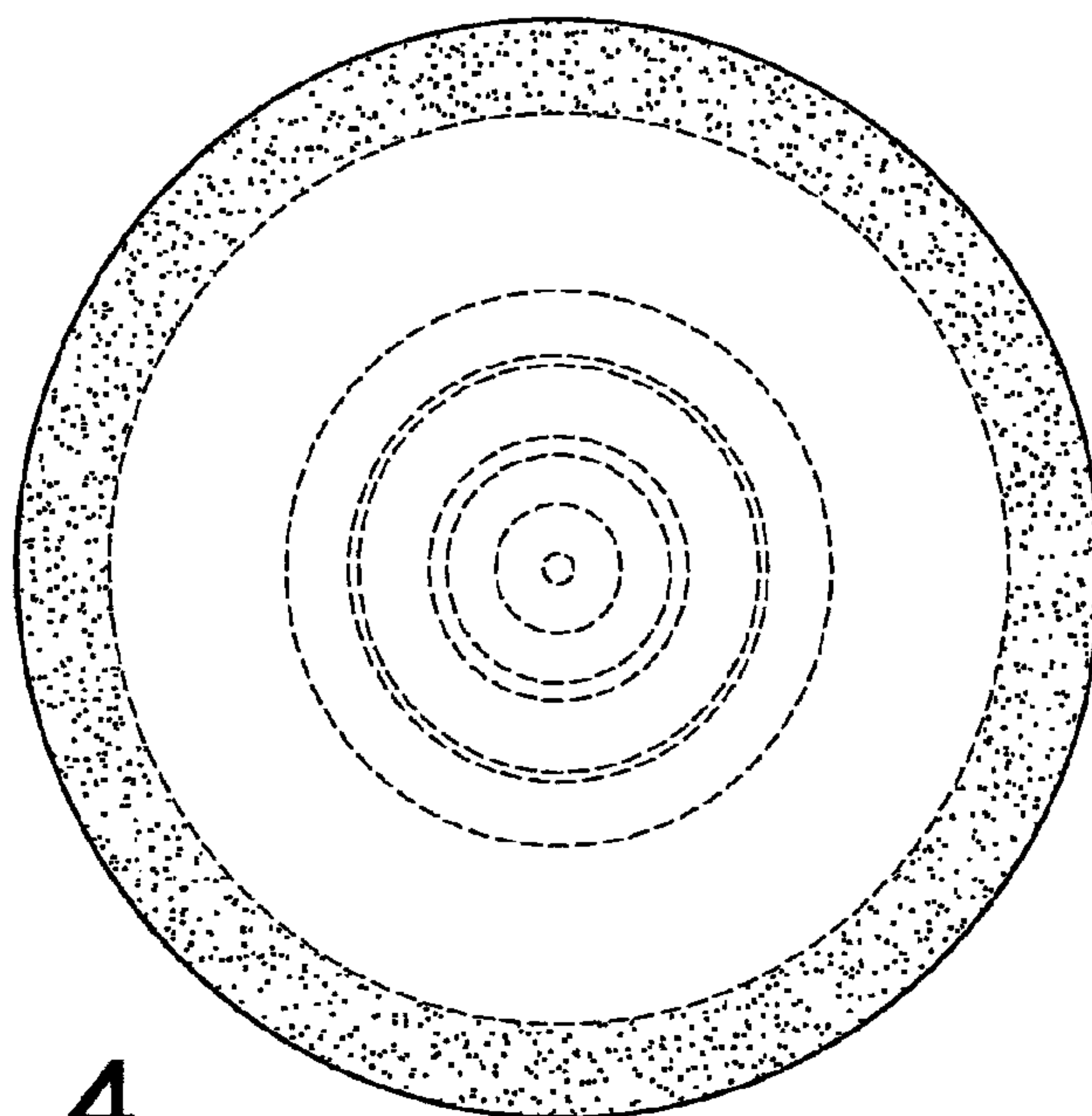


FIG. 4

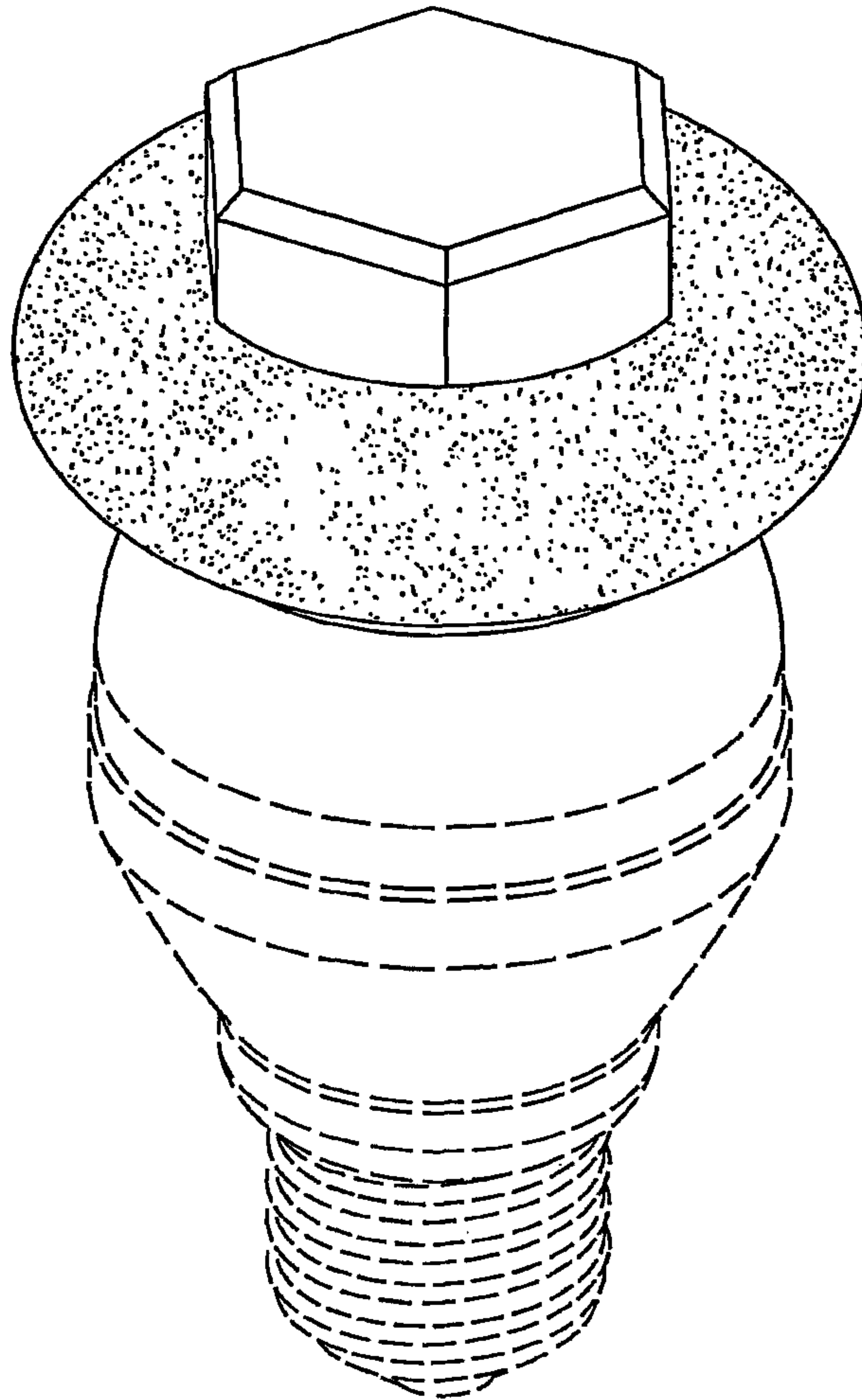


FIG. 5



UNITED STATES PATENT AND TRADEMARK OFFICE  
**CERTIFICATE OF CORRECTION**

PATENT NO. : D715,462 S  
APPLICATION NO. : 29/434399  
DATED : October 14, 2014  
INVENTOR(S) : Roberts et al.

Page 1 of 1

It is certified that error appears in the above-identified patent and that said Letters Patent is hereby corrected as shown below:

On the Title Page, (57), under "CLAIM", in Column 2, Line 1,  
delete "LED based light bulb" and  
insert -- light emitting diode (LED)-based light bulb --, therefor.

Signed and Sealed this  
Thirteenth Day of October, 2015



Michelle K. Lee  
*Director of the United States Patent and Trademark Office*