



US00D715460S

(12) **United States Design Patent**
Smith

(10) **Patent No.:** **US D715,460 S**

(45) **Date of Patent:** **** Oct. 14, 2014**

(54) **THIN RENOVATION CEILING TILE COVER
FOR A BLEMISHED EXISTING FLAT 2'x4'
CEILING TILE**

4,773,194 A * 9/1988 Nassof 52/145
4,928,312 A * 5/1990 Hill 381/424
D364,475 S * 11/1995 Burbury et al. D25/138
D486,922 S * 2/2004 Baxter D25/163

(71) Applicant: **Chicago Metallic Corporation,**
Chicago, IL (US)

* cited by examiner

(72) Inventor: **Thomas E. Smith,** Darien, IL (US)

Primary Examiner — Doris Clark

(73) Assignee: **Chicago Metallic Corporation,**
Chicago, IL (US)

(74) *Attorney, Agent, or Firm* — Gerald E. Helget; Briggs
and Morgan, P.A.

(**) Term: **14 Years**

(57) **CLAIM**

The ornamental design for a thin renovation ceiling tile cover
for a blemished existing flat 2'x4' ceiling tile, as shown and
described.

(21) Appl. No.: **29/437,453**

DESCRIPTION

(22) Filed: **Nov. 16, 2012**

(51) **LOC (10) Cl.** **25-01**

(52) **U.S. Cl.**
USPC **D25/138**

(58) **Field of Classification Search**
USPC 52/39, 127.6, 127.8, 144, 145, 223.7,
52/243.1, 262, 282.2, 372, 375, 384, 385,
52/472, 506.06, 435, 314, 732; D25/58,
D25/138, 153, 156, 157, 163; 428/51
See application file for complete search history.

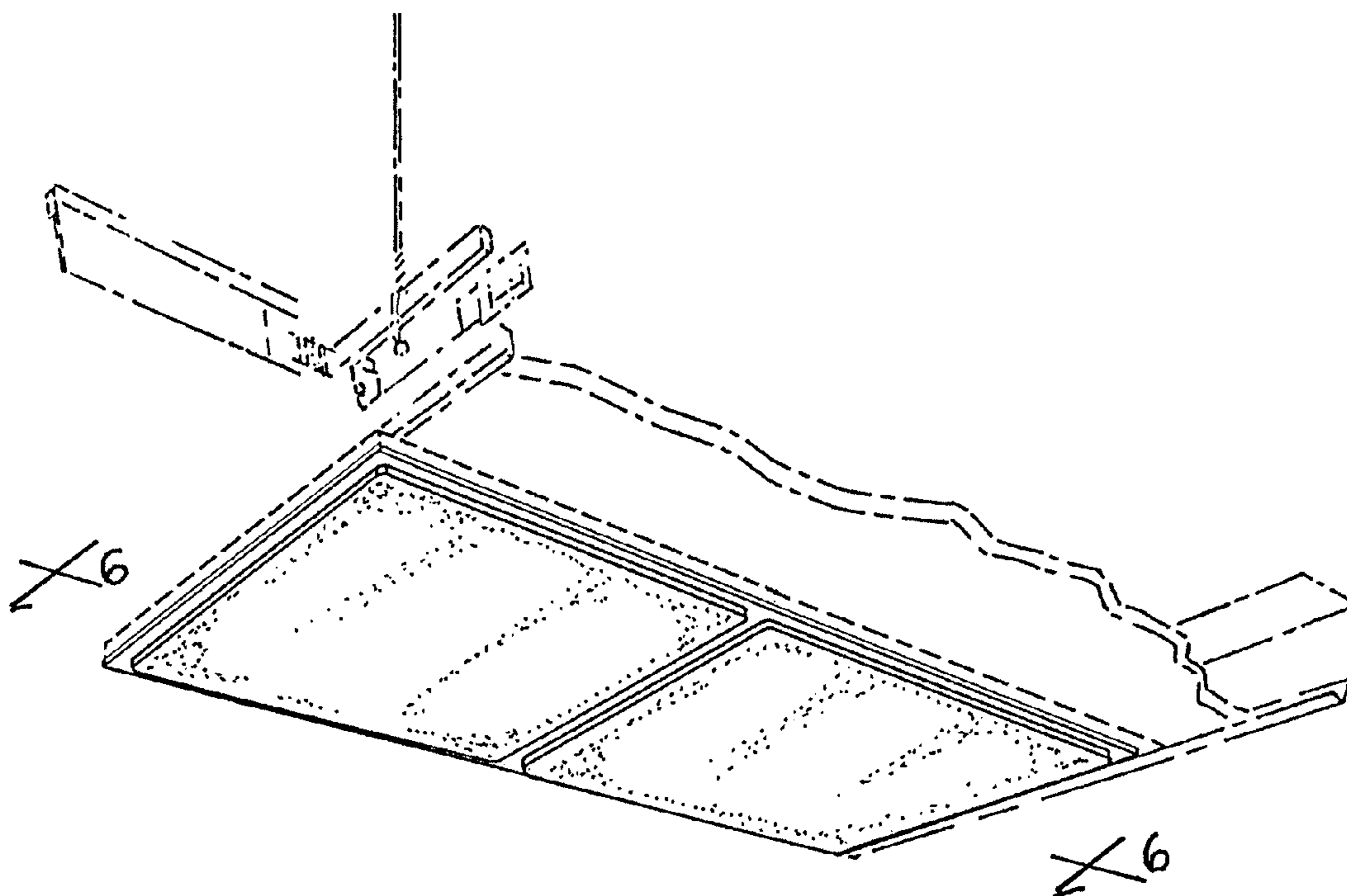
FIG. 1 is an upward perspective view showing my new design
for a thin renovation ceiling tile cover for a blemished existing
flat 2'x4' ceiling tile;
FIG. 2 is a bottom plan view;
FIG. 3 is a front side elevational view which is a mirror image
of the rear elevational view;
FIG. 4 is a top plan view;
FIG. 5 is a left side elevational view which is a mirror image
of the right side elevational view; and,
FIG. 6 is a broken away cross sectional view.
The broken line drawings of the prior blemished existing flat
2'x4' ceiling tile and support grid are for illustrative purposes
only and form no part of the claimed design.

(56) **References Cited**

U.S. PATENT DOCUMENTS

1,803,390 A * 5/1931 Howard 52/144
2,639,607 A * 5/1953 Sanford 52/435

1 Claim, 2 Drawing Sheets



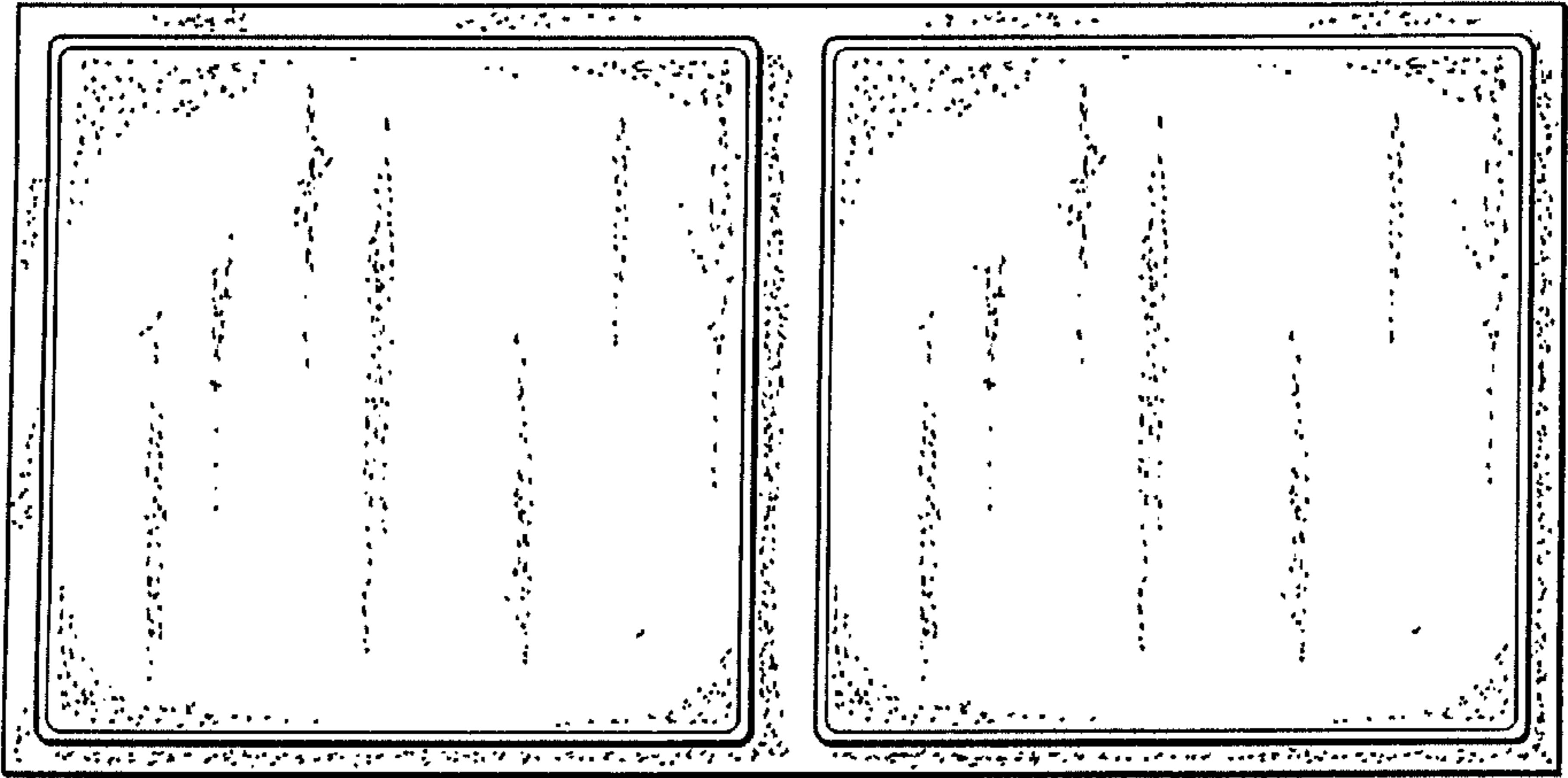
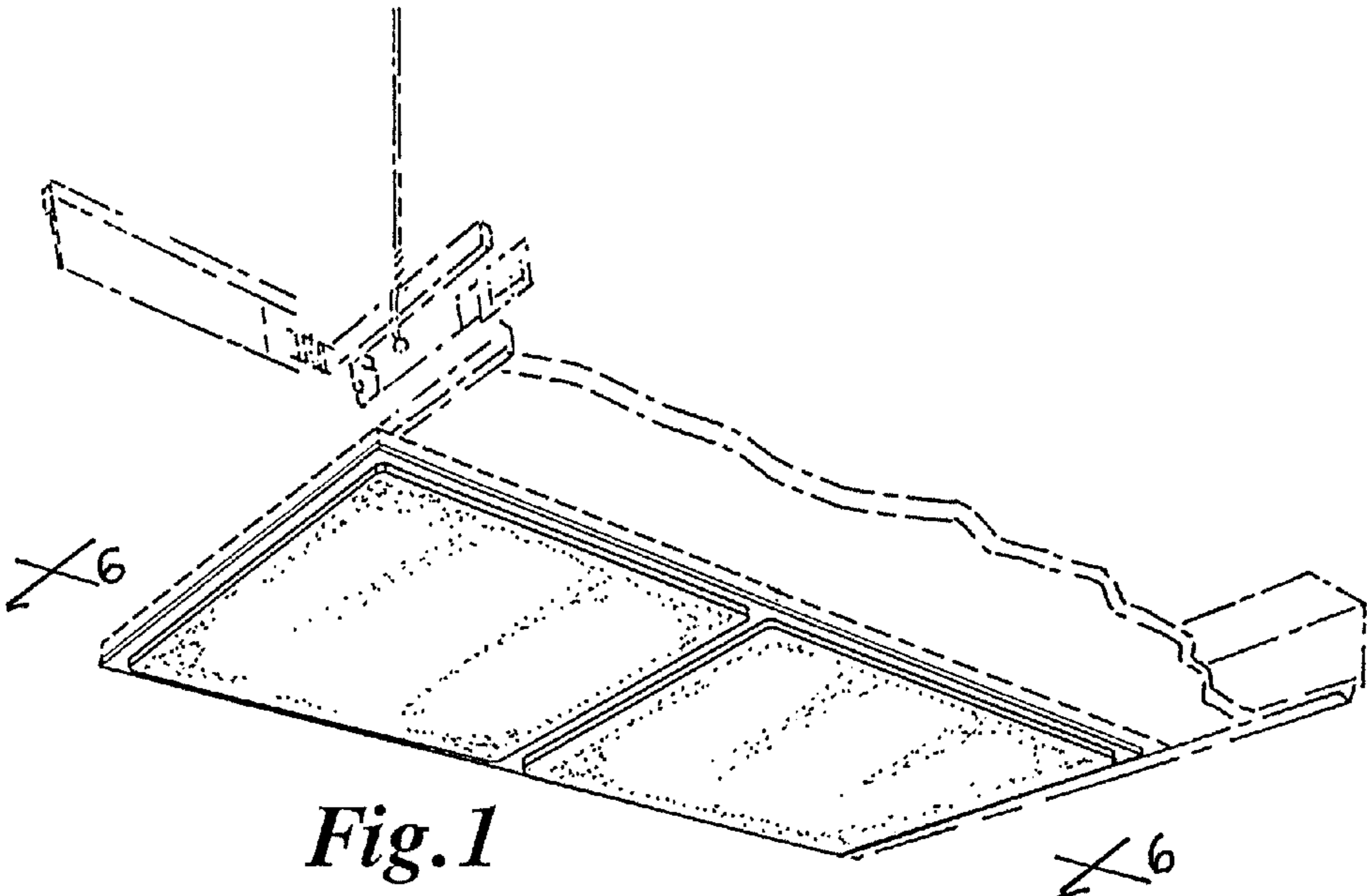


Fig. 2

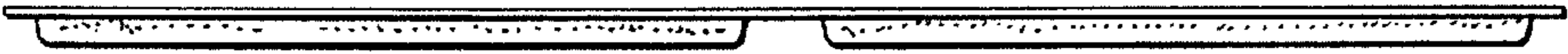


Fig. 3

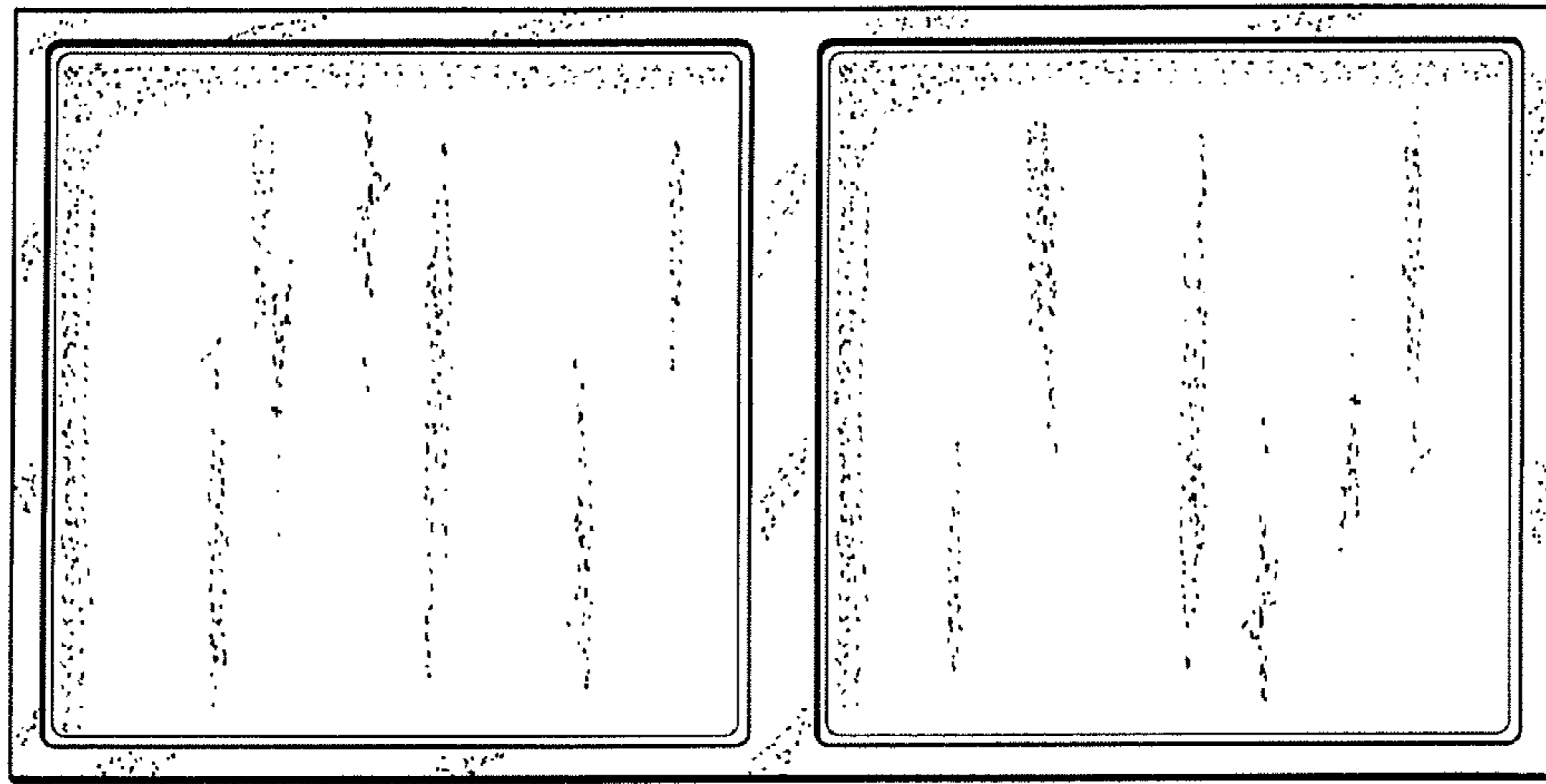


Fig. 4

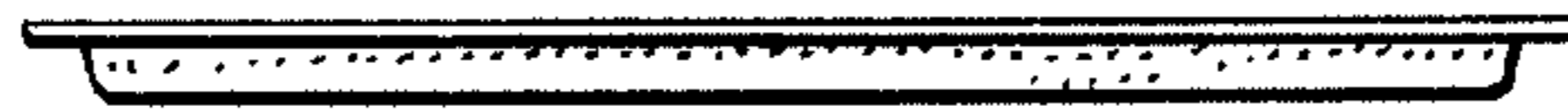


Fig. 5

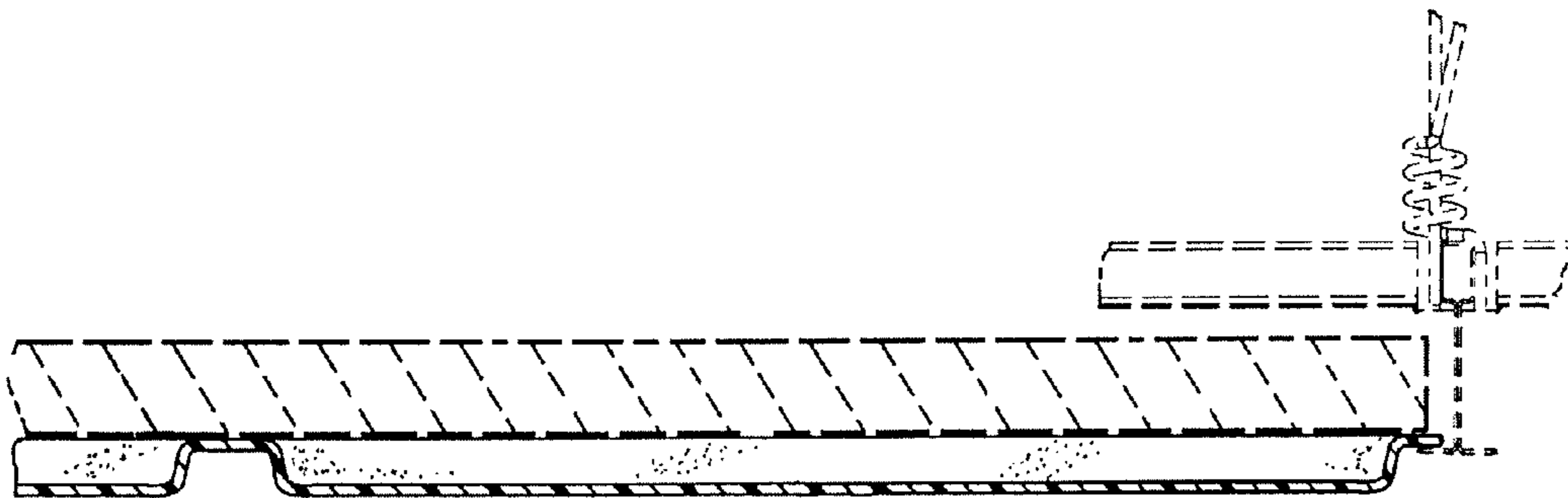


Fig. 6