



US00D715459S

(12) **United States Design Patent**
Perry

(10) **Patent No.:** **US D715,459 S**
(45) **Date of Patent:** **** Oct. 14, 2014**

(54) **PANEL WITH RANDOM STAR CUTOUTS**

(71) Applicant: **3form, Inc.**, Salt Lake City, UT (US)

(72) Inventor: **Allie Marie Perry**, South Jordan, UT (US)

(73) Assignee: **3form, LLC**, Salt Lake City, UT (US)

(**) Term: **14 Years**

(21) Appl. No.: **29/450,899**

(22) Filed: **Mar. 25, 2013**

(51) **LOC (10) Cl.** **25-01**

(52) **U.S. Cl.**
USPC **D25/104**; D6/332; D25/138

(58) **Field of Classification Search**
USPC D25/111, 138-145, 150-153, 156, 157, D25/163, 199, 102-105, 110, 58; D5/20, D5/24, 32, 54, 4, 7; 156/63; 52/81.4, 81.5, 52/81.6, 747.1, 783.11, 311.1, 313, 311.2, 52/316, 239, 241, 481.2, 789.1, 788.1; 428/34, 34.1-34.9, 35.7, 36.1-36.4, 428/67, 446, 542.2, 542.6, 902, 904.4, 143, 428/147, 13, 332, 335, 336, 339, 480, 483, 428/195.1, 38, 46, 49, 42.1, 907.7, 40.4; D6/332

See application file for complete search history.

(56) **References Cited**

U.S. PATENT DOCUMENTS

798,972 A * 9/1905 Ott 428/46
4,975,307 A * 12/1990 Sollogoub 428/34
D333,352 S 2/1993 Heidmann

5,194,310 A 3/1993 Lenderink
D361,392 S * 8/1995 Wilkening D25/104
D376,636 S 12/1996 Betz
6,306,510 B1 * 10/2001 Verlinden et al. 428/426
6,322,862 B1 11/2001 Sakai
6,333,094 B1 12/2001 Schneider et al.
D466,224 S 11/2002 Stackhouse
6,649,245 B2 11/2003 Lenderink
6,743,327 B2 6/2004 Schober
7,090,380 B2 8/2006 Gerfers, III
D537,544 S 2/2007 Bledsoe et al.
D540,473 S 4/2007 Loggen
D582,574 S 12/2008 Mackenzie
7,504,159 B1 3/2009 Suare et al.
D609,826 S 2/2010 Suare et al.
D631,988 S * 2/2011 Martin et al. D25/138

* cited by examiner

Primary Examiner — Doris Clark

(74) *Attorney, Agent, or Firm* — Workman Nydegger

(57) **CLAIM**

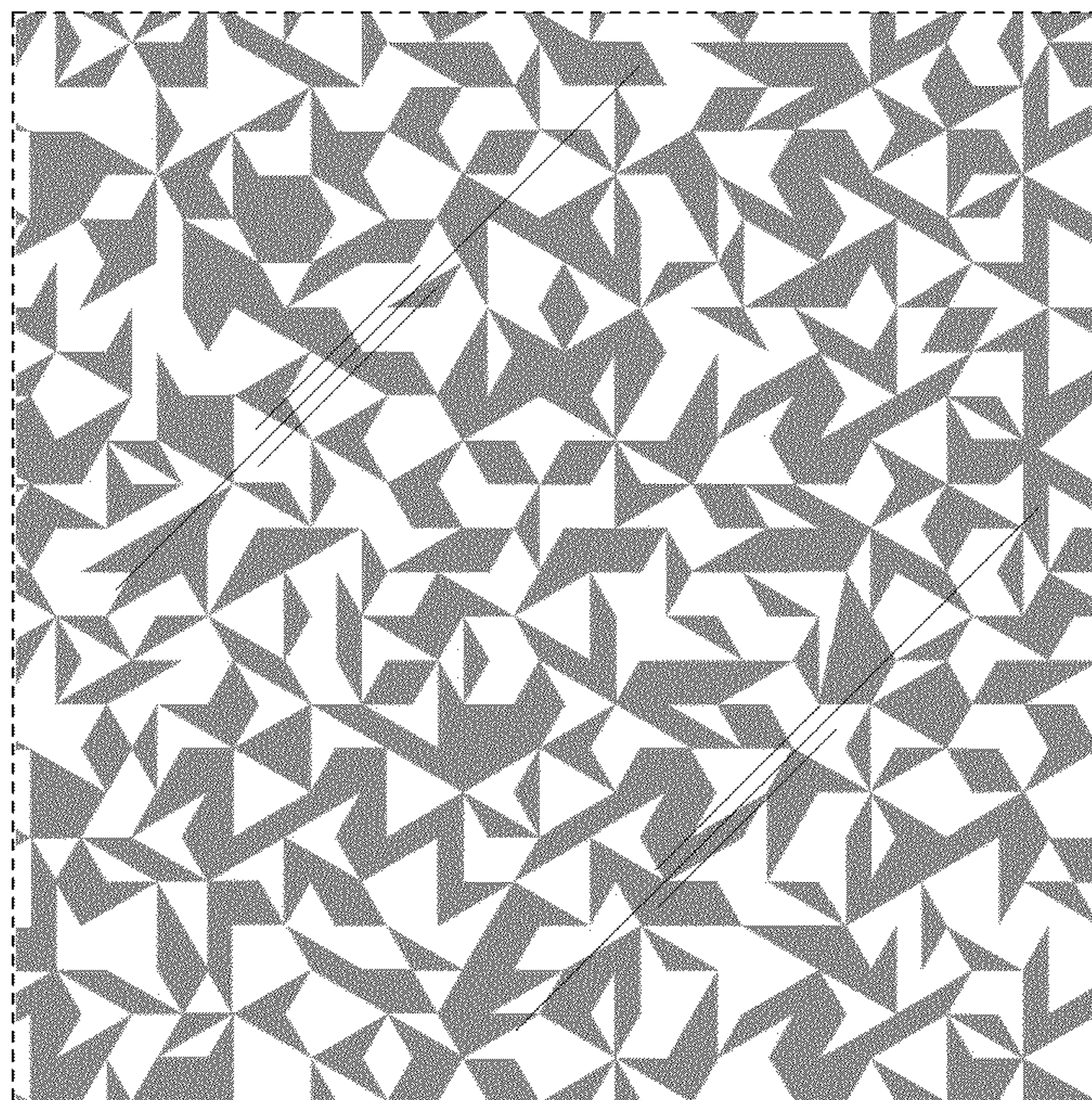
The ornamental design for a panel with random star cutouts, as shown and described.

DESCRIPTION

FIG. 1 is a front view of a panel with random star cutouts, shown used in a partition structure;
FIG. 2 is a top plan view of FIG. 4;
FIG. 3 is a left side elevation view of FIG. 4;
FIG. 4 is a front elevation view;
FIG. 5 is a right side elevation view; and,
FIG. 6 is a bottom plan of FIG. 4.

The broken lines showing environment in the drawings are included for illustrative purposes only and form no part of the claimed design.

1 Claim, 2 Drawing Sheets



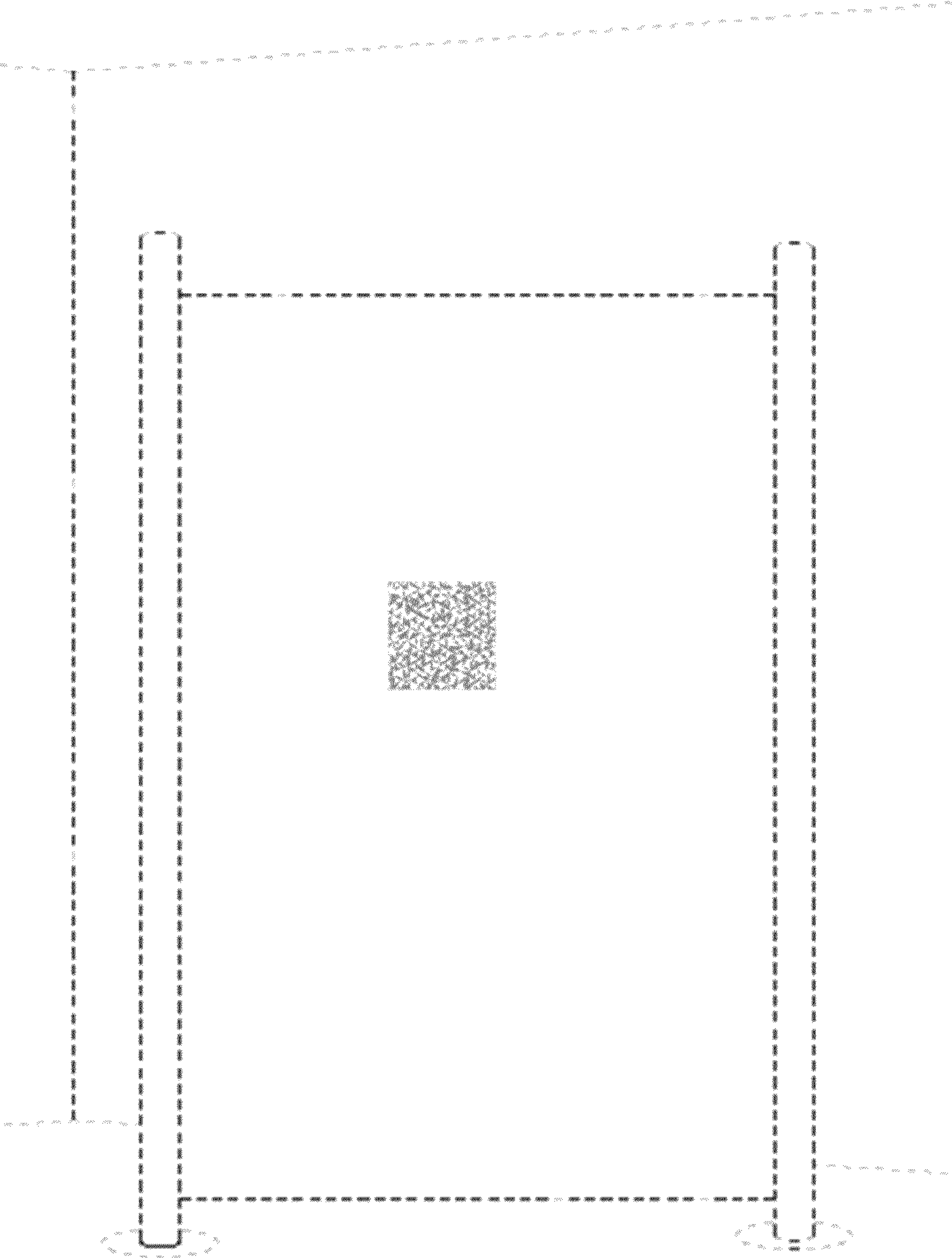


FIG. 1



Fig. 2

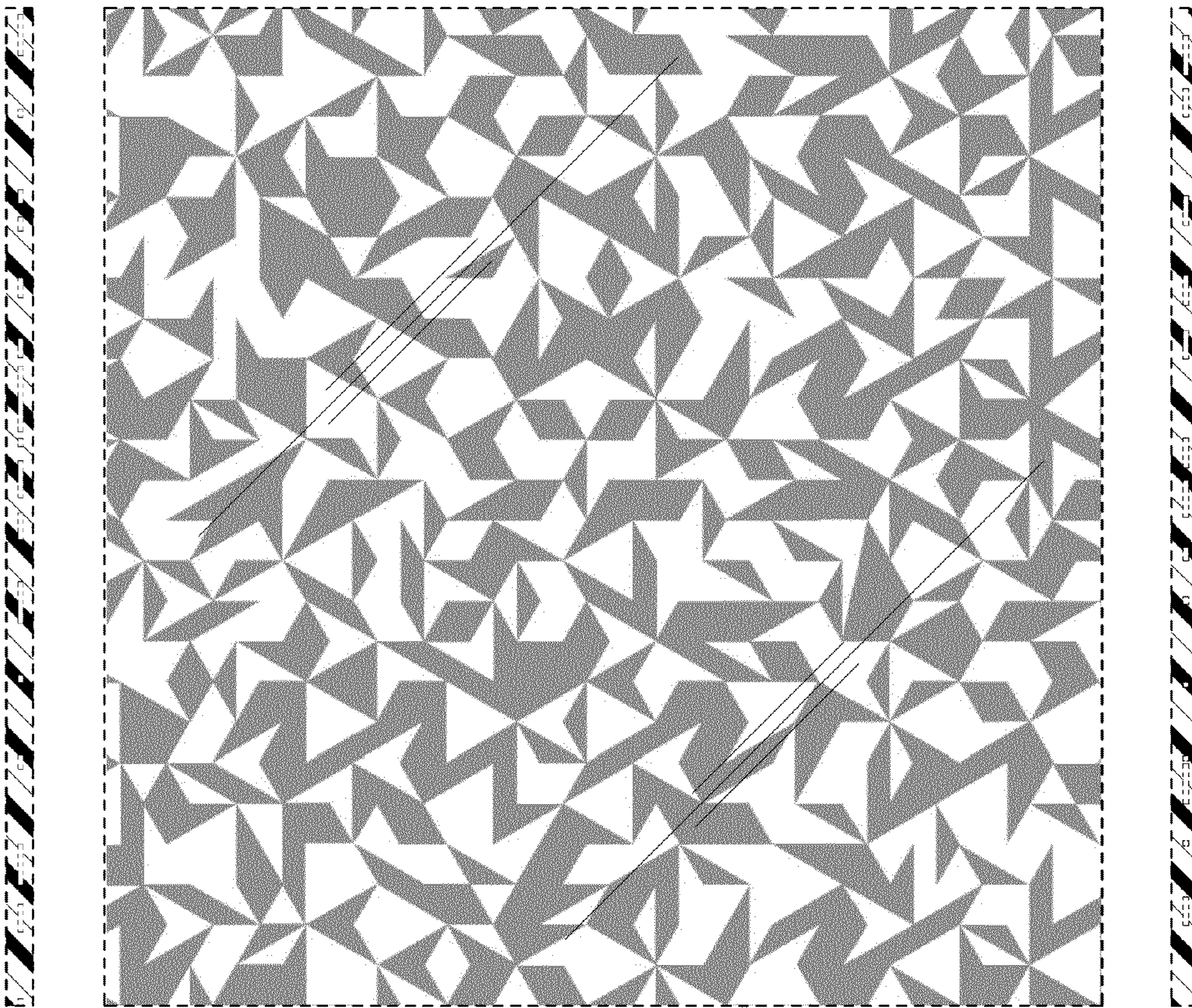


Fig. 3

Fig. 4

Fig. 5



Fig. 6