



US00D715458S

(12) **United States Design Patent**
Collins

(10) **Patent No.:** **US D715,458 S**

(45) **Date of Patent:** **** Oct. 14, 2014**

(54) **LADDER ANCHOR**

2002/0134619 A1* 9/2002 Schwenke 182/107
2007/0284189 A1* 12/2007 Chady 182/107

(71) Applicant: **Gary R. Collins**, Cincinnati, OH (US)

* cited by examiner

(72) Inventor: **Gary R. Collins**, Cincinnati, OH (US)

Primary Examiner — Doris Clark

(**) Term: **14 Years**

(74) *Attorney, Agent, or Firm* — Neal O. Willmann

(21) Appl. No.: **29/445,264**

(57) **CLAIM**

The ornamental design for the ladder anchor, as shown and described.

(22) Filed: **Feb. 8, 2013**

DESCRIPTION

(51) **LOC (10) Cl.** **25-04**

(52) **U.S. Cl.**

USPC **D25/68**

(58) **Field of Classification Search**

USPC D25/68; 182/106, 107, 112, 206

See application file for complete search history.

FIG. 1 is a front elevation view of a ladder anchor showing my new design;

FIG. 2 is a rear elevation view thereof;

FIG. 3 is a left side elevation view thereof, the right side being a mirror image;

FIG. 4 is a top plan view thereof;

FIG. 5 is a bottom plan view thereof; and,

FIG. 6 is a perspective view thereof with the anchor attached to a roof.

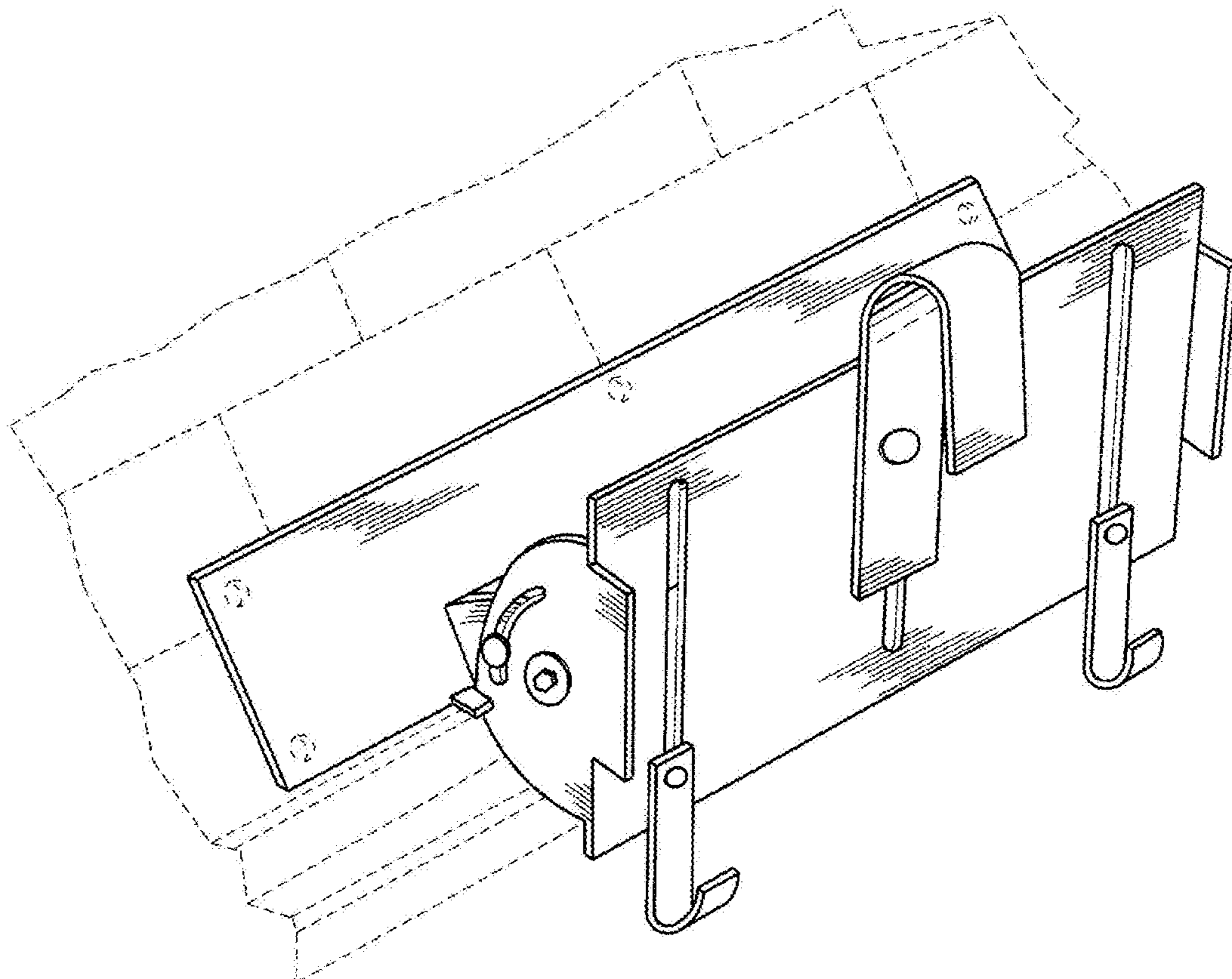
The roof and gutter depicted in broken line are shown for illustrative purposes only and form no part of the claimed design.

(56) **References Cited**

U.S. PATENT DOCUMENTS

D459,483 S * 6/2002 Roy D25/68
7,556,125 B1 * 7/2009 Blehm 182/214

1 Claim, 6 Drawing Sheets



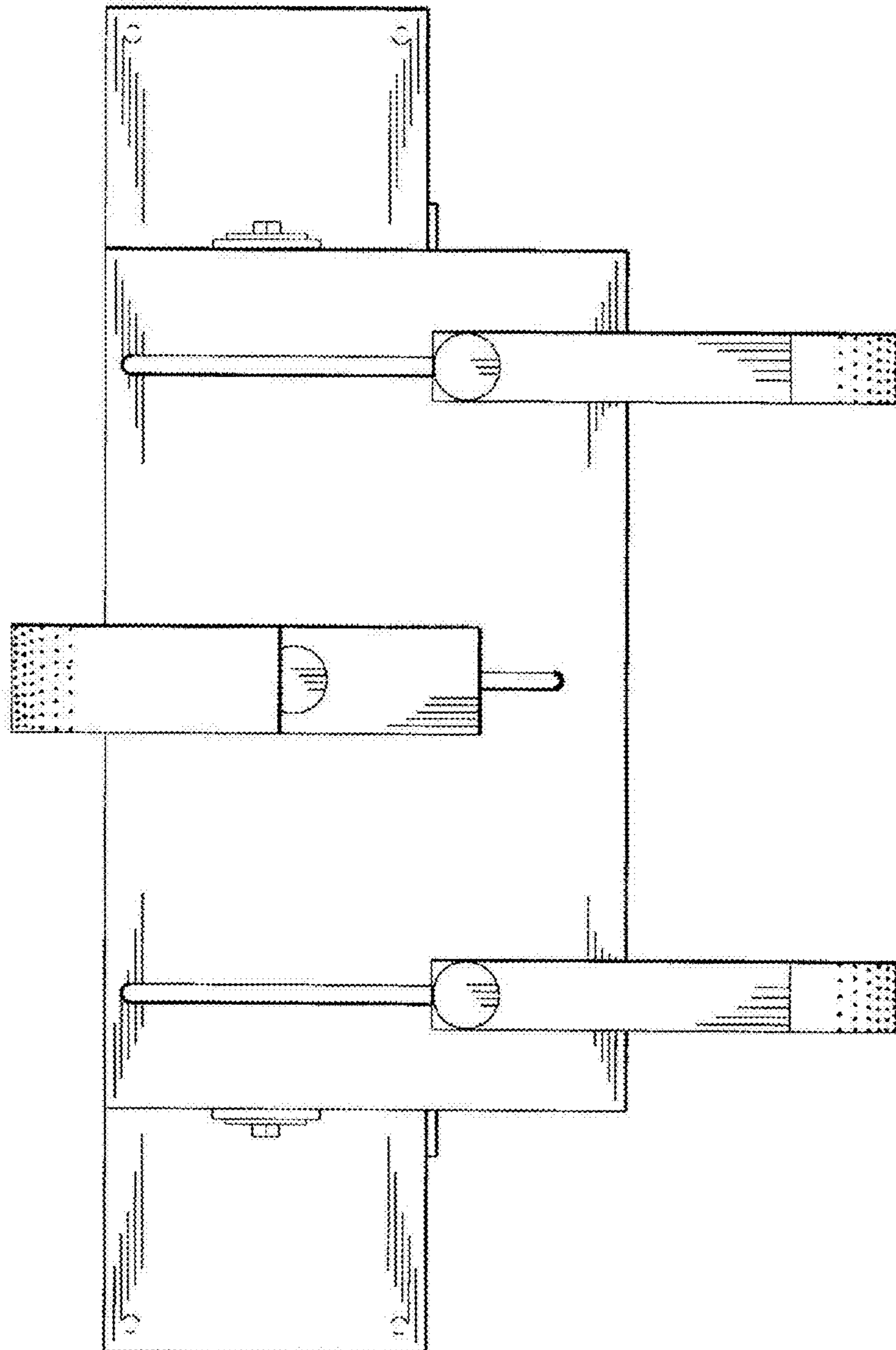


Fig. 1

Fig. 2

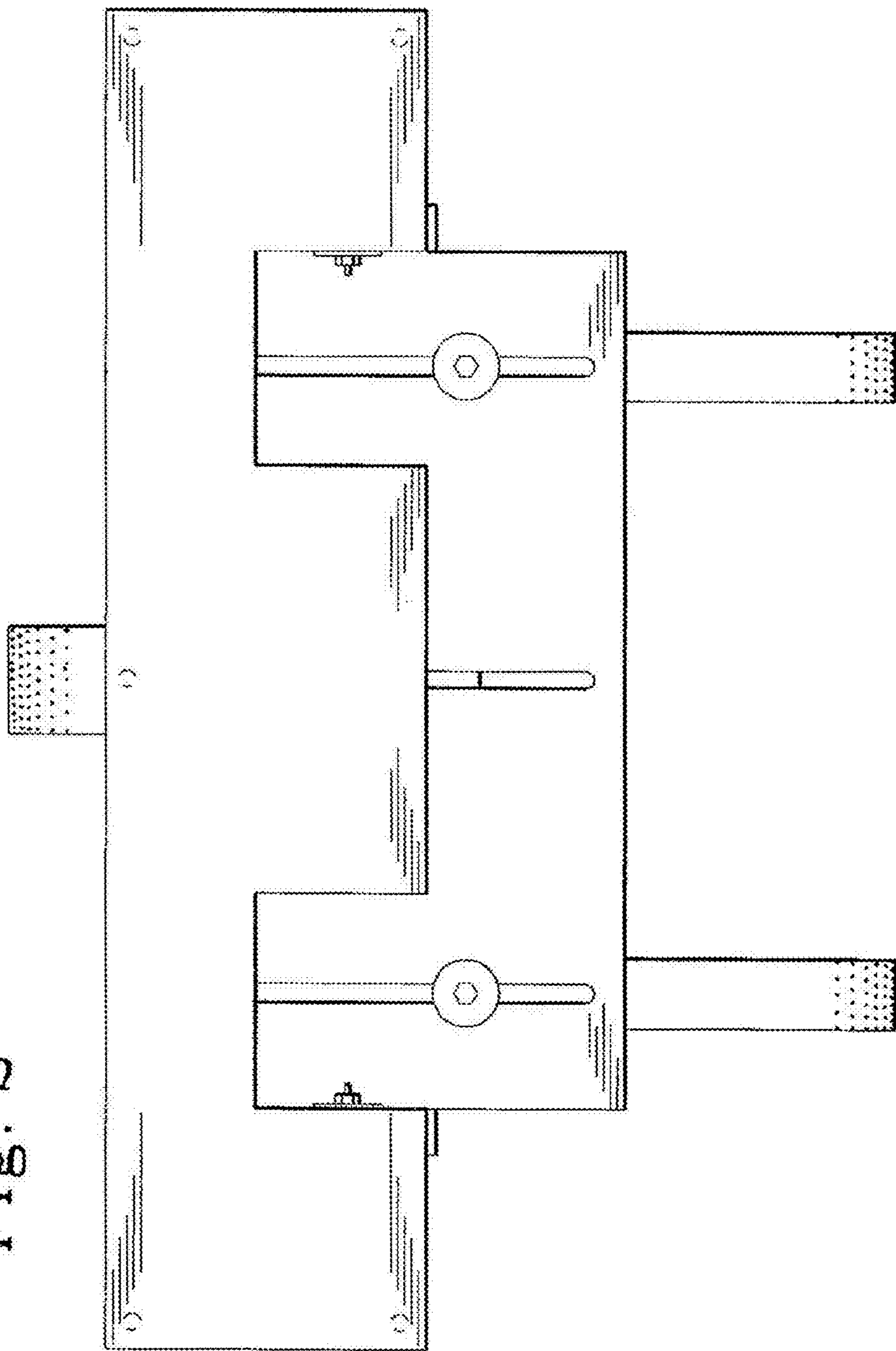


Fig. 3

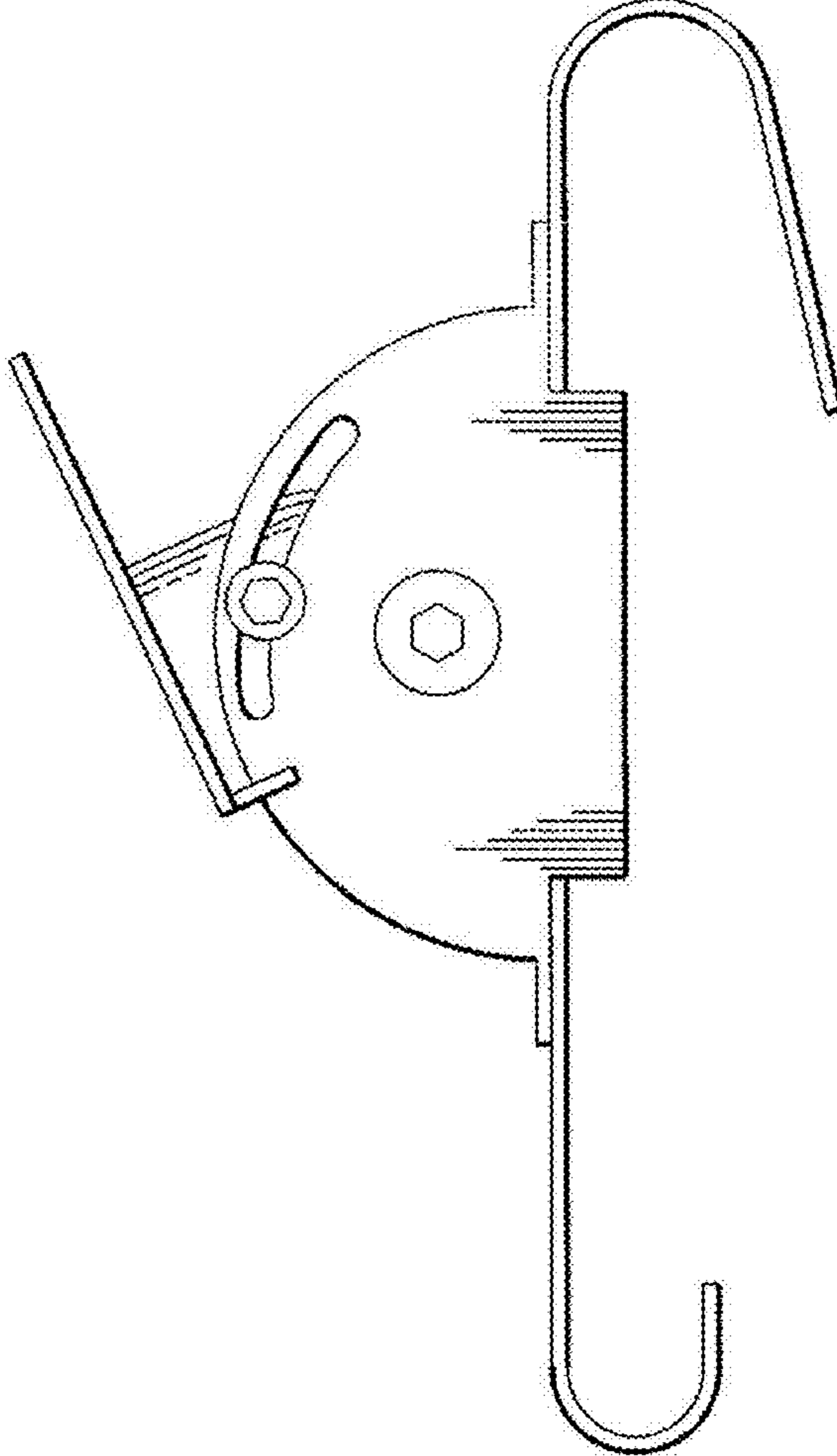


Fig. 4

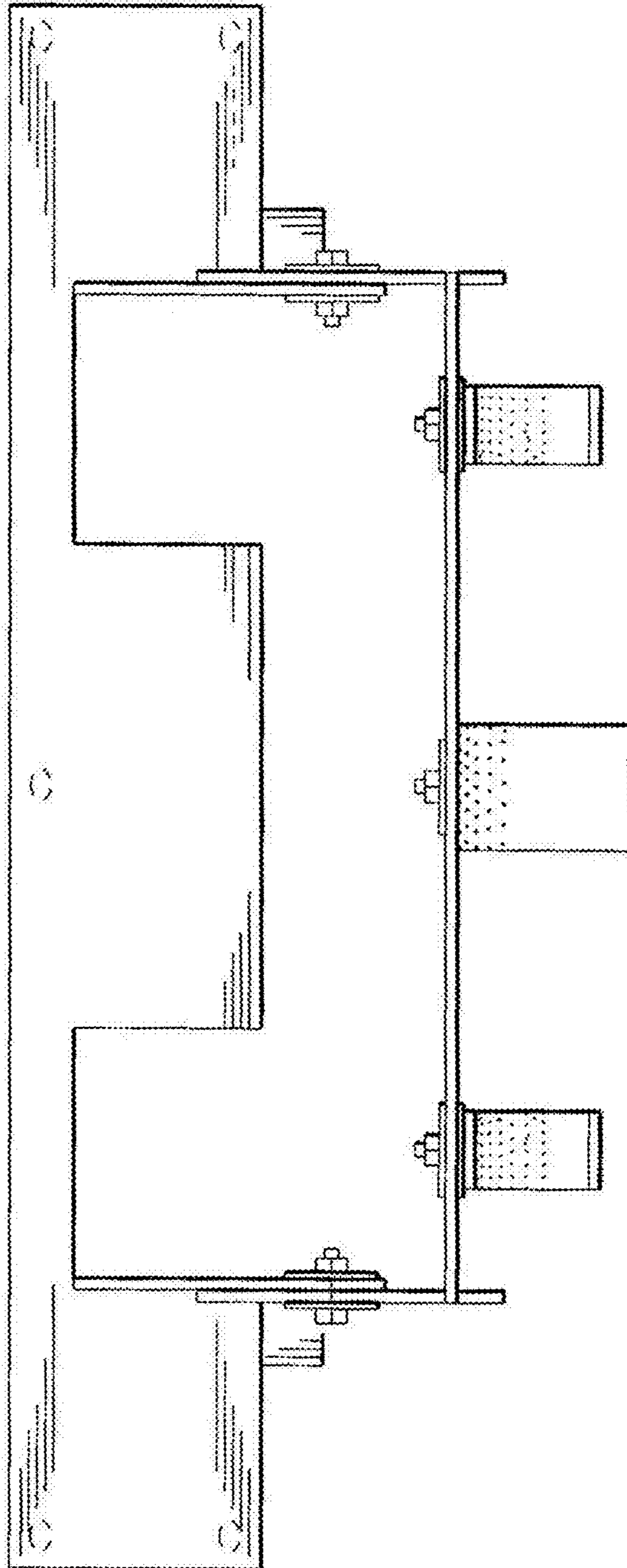
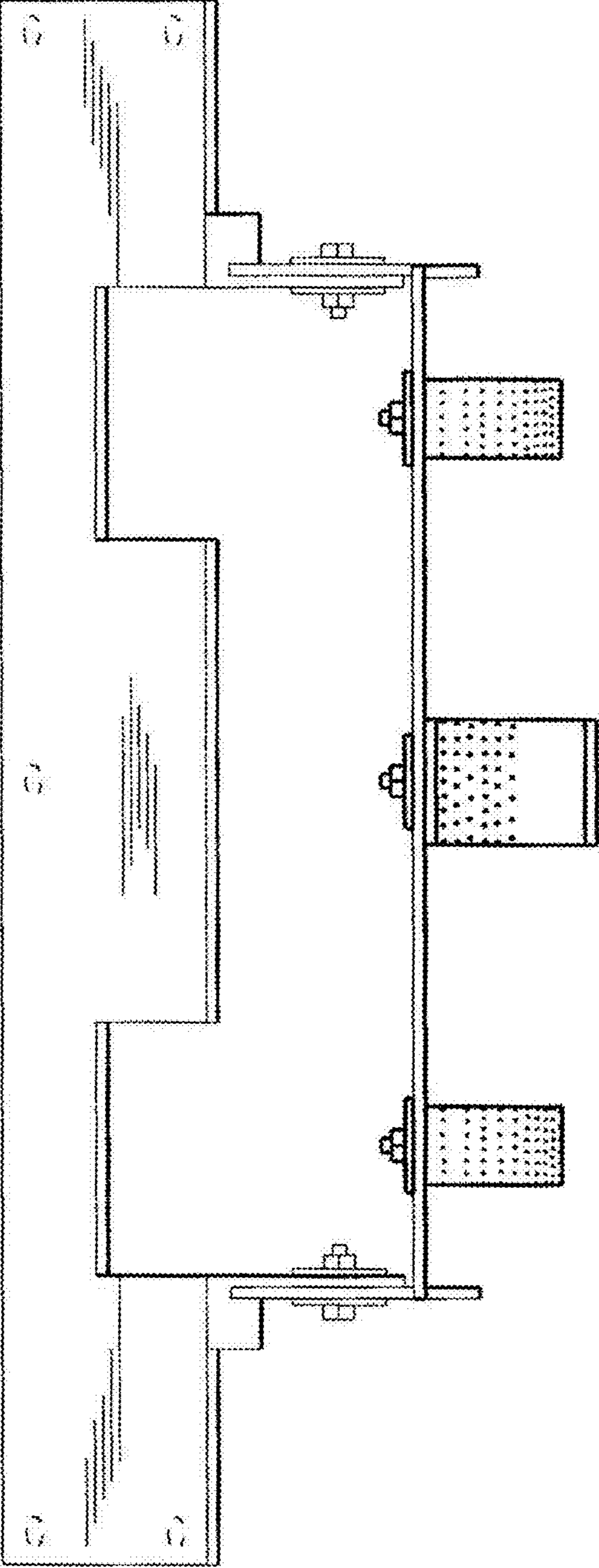


Fig. 5



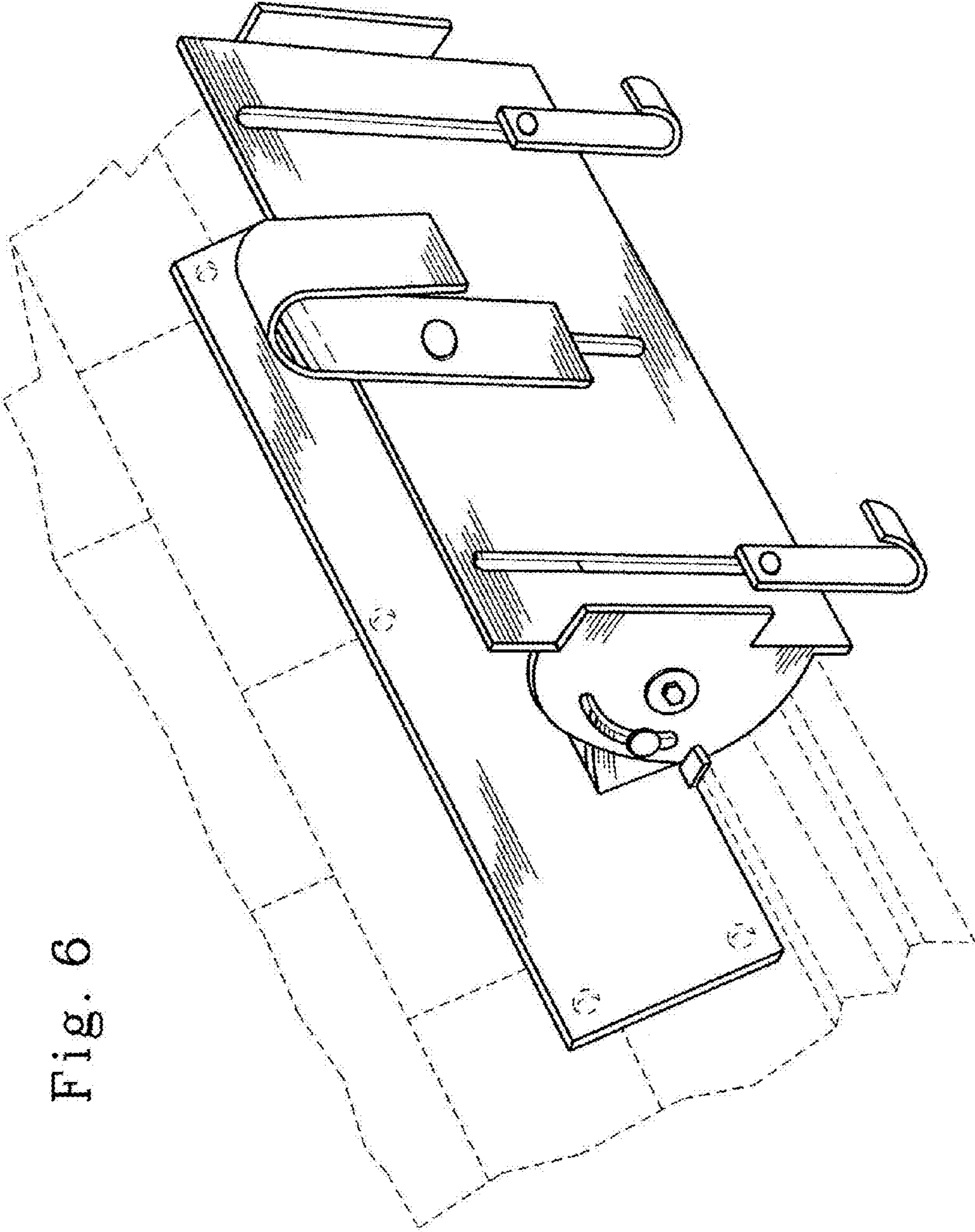


Fig. 6