



US00D715457S

(12) **United States Design Patent**
Spencer

(10) **Patent No.:** **US D715,457 S**
(45) **Date of Patent:** **** Oct. 14, 2014**

(54) **SCREENED ENCLOSURE WATER
PASSAGEWAY**

(71) Applicant: **Wayne Spencer**, Tampa, FL (US)

(72) Inventor: **Wayne Spencer**, Tampa, FL (US)

(**) Term: **14 Years**

(21) Appl. No.: **29/448,255**

(22) Filed: **Mar. 11, 2013**

(51) **LOC (10) Cl.** **25-02**

(52) **U.S. Cl.**
USPC **D25/48.8**

(58) **Field of Classification Search**
USPC D25/48.8; 52/74, 169.5, 302.1, 209;
49/71, 505, 381; 160/44
See application file for complete search history.

(56) **References Cited**

U.S. PATENT DOCUMENTS

1,198,579	A *	9/1916	Rich	160/210
1,788,932	A *	1/1931	Schenke	160/44
2,153,798	A *	4/1939	Grimes	49/23
5,956,909	A *	9/1999	Chou	52/209
D570,493	S *	6/2008	Therrien	D25/48.8
2005/0072074	A1 *	4/2005	Moore	52/204.5
2005/0081466	A1 *	4/2005	Dovell	52/302.1
2005/0204653	A1 *	9/2005	Matthews	52/169.5
2010/0251646	A1 *	10/2010	MacLean et al.	52/302.1

OTHER PUBLICATIONS

U.S. Appl. No. 29/373,396, Spencer, Wayne, Design application.

* cited by examiner

Primary Examiner — Doris Clark

(74) *Attorney, Agent, or Firm* — Edward P Dutkiewicz

(57) **CLAIM**

The ornamental design for a screened enclosure water passageway, as shown and described.

DESCRIPTION

FIG. 1 is a front elevational view of the design. The existing frame is shown in broken line and is disclaimed as a part of the invention.

FIG. 2 is a rear elevational view thereof;

FIG. 3 is a right side elevational view thereof;

FIG. 4 is a left side elevational view thereof, with the passageway in a closed position, showing the position lock in the stored position;

FIG. 5 is a top plan view thereof;

FIG. 6 is a bottom plan view thereof; and,

FIG. 7 is a perspective view, showing the door passageway in the open position, and held by the latch in the open position.

1 Claim, 4 Drawing Sheets

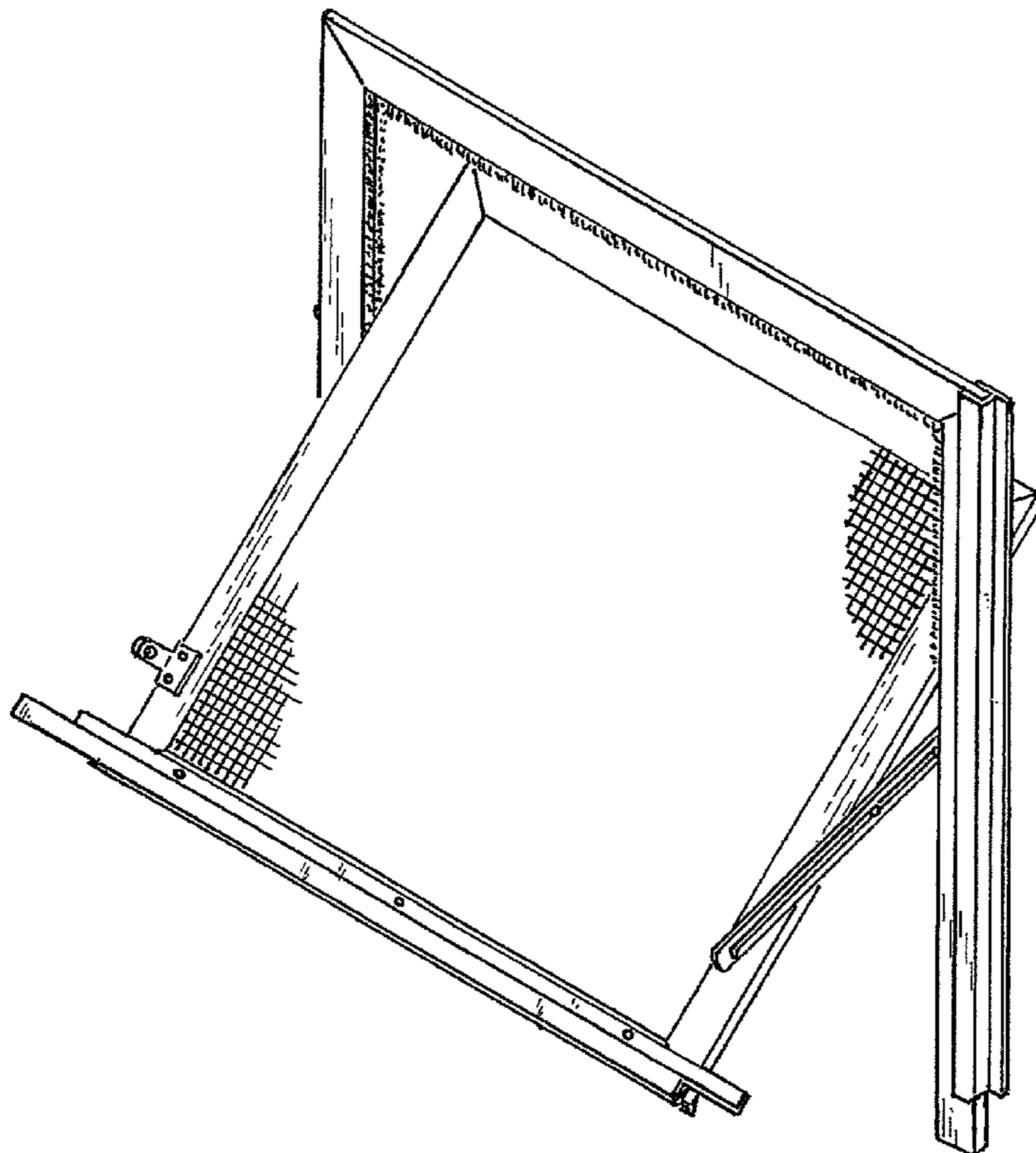


FIG. 1

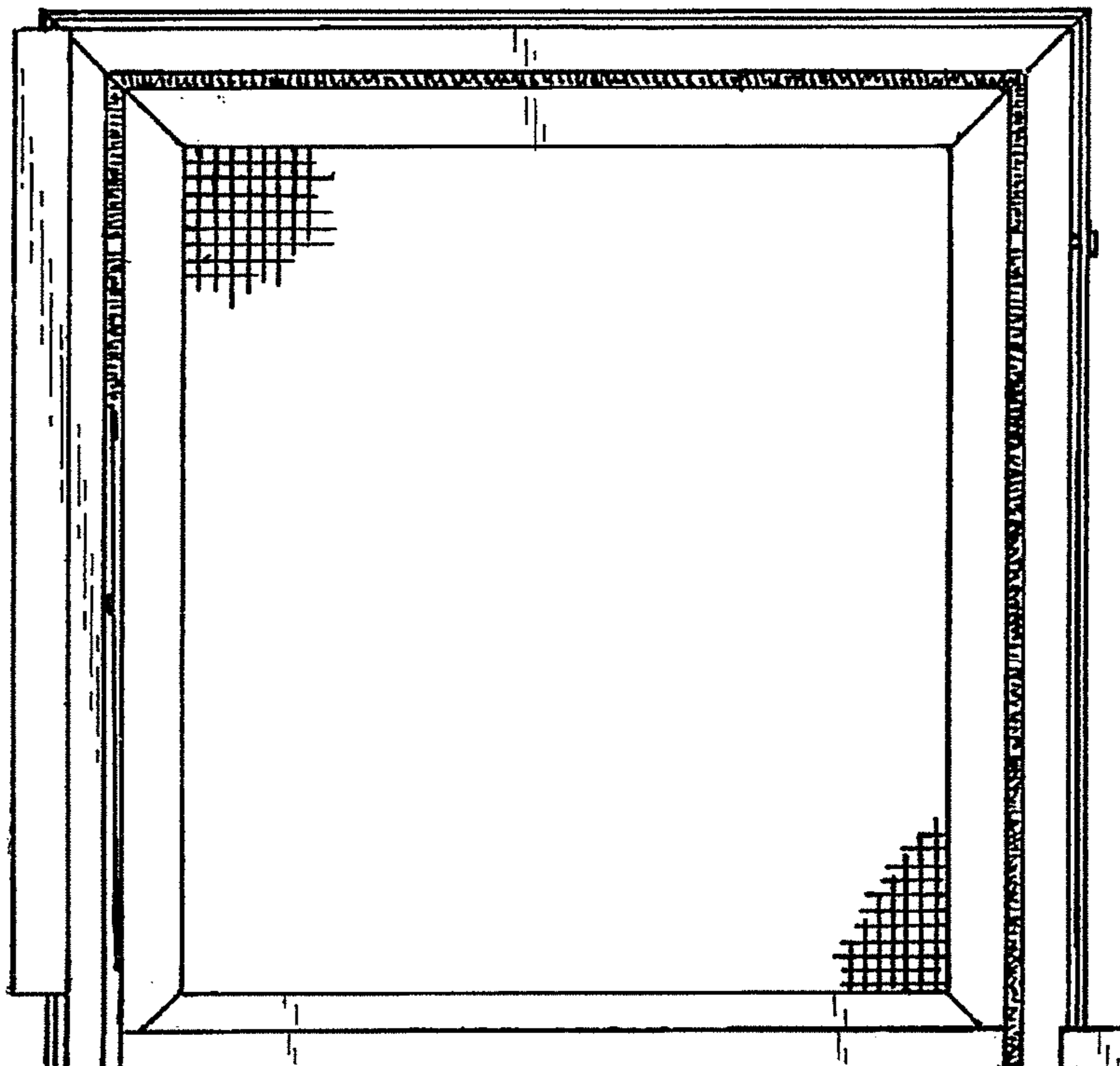
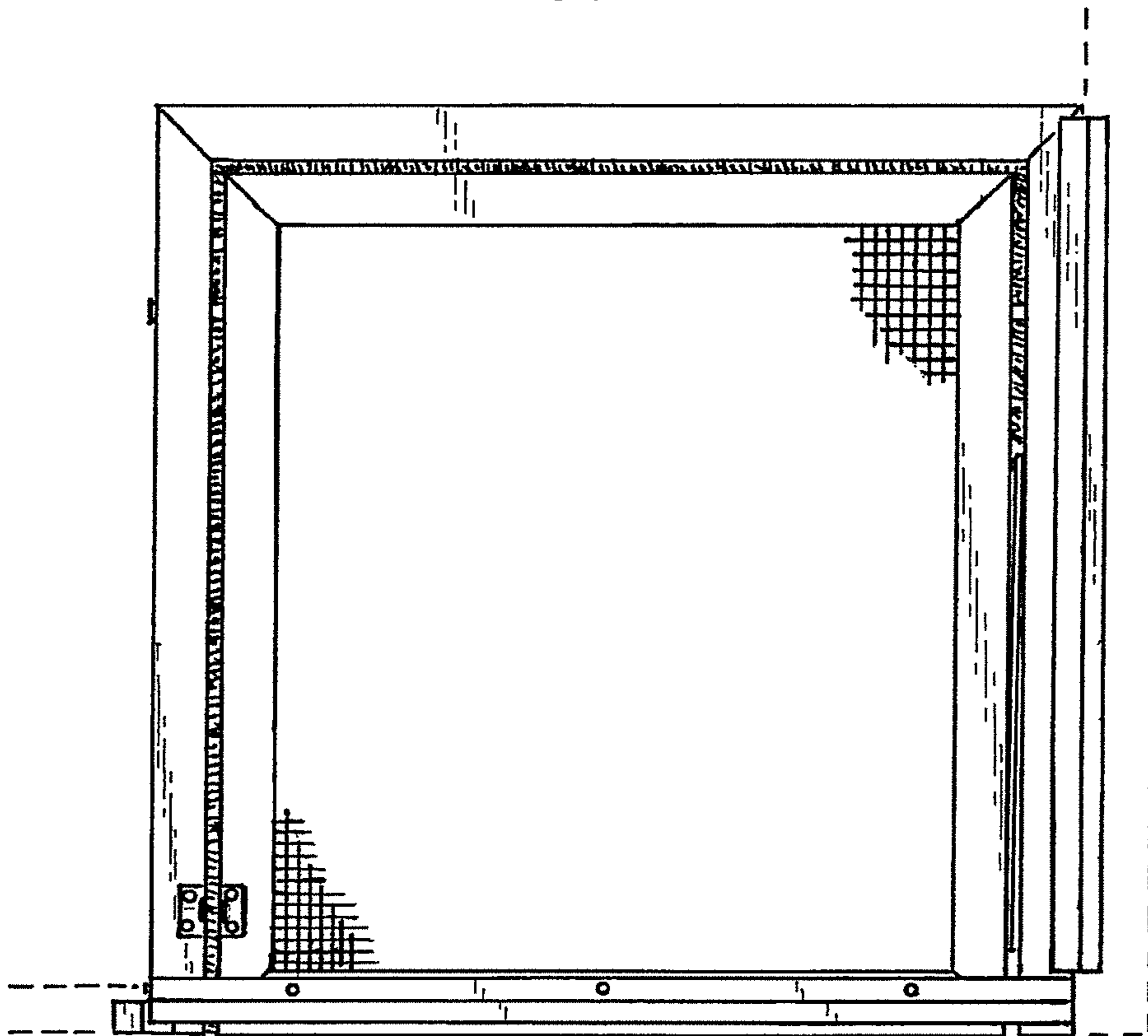


FIG. 2

FIG. 3



FIG. 4



FIG. 5

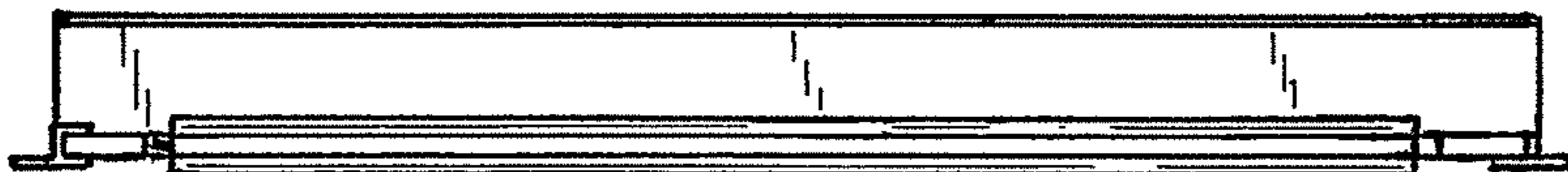


FIG. 6

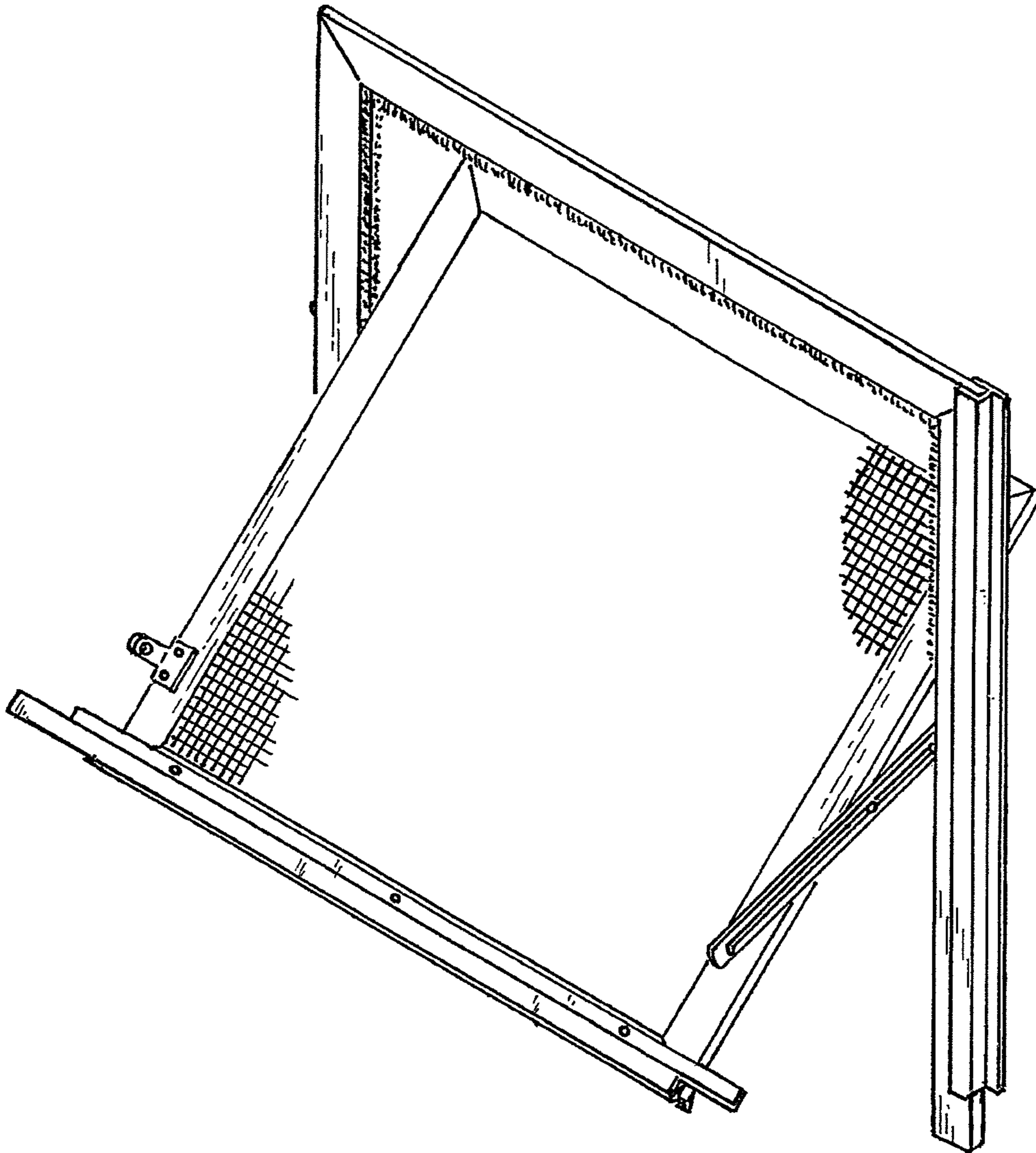


FIG. 7