

US00D715456S

(12) **United States Design Patent**
Oonuma et al.

(10) **Patent No.:** **US D715,456 S**

(45) **Date of Patent:** **** Oct. 14, 2014**

(54) **BIOCHEMICAL ANALYZER**

(71) Applicant: **Hitachi High-Technologies Corporation**, Tokyo (JP)

(72) Inventors: **Mitsuru Oonuma**, Tokyo (JP); **Yoko Sato**, Fuchu (JP); **Akihito Wakui**, Hitachinaka (JP); **Hajime Yamazaki**, Hitachinaka (JP)

(73) Assignee: **Hitachi High-Technologies Corporation**, Tokyo (JP)

(**) Term: **14 Years**

(21) Appl. No.: **29/456,775**

(22) Filed: **Jun. 4, 2013**

(30) **Foreign Application Priority Data**

Dec. 6, 2012 (JP) 2012-029883

(51) **LOC (10) Cl.** **24-01**

(52) **U.S. Cl.**
USPC **D24/216; D24/186**

(58) **Field of Classification Search**
USPC D24/216-217, 219, 223-224, 231-233, D24/107, 111, 127, 169, 186; D10/46, 81; 422/62-65, 67, 70, 81, 500, 506, 561; 436/43, 45, 47; 435/287.1, 287.3

See application file for complete search history.

(56) **References Cited**

U.S. PATENT DOCUMENTS

| | | | | | | |
|-----------|----|---|---------|-------------------|-------|---------|
| D339,639 | S | * | 9/1993 | Ohnuma et al. | | D24/232 |
| 6,841,126 | B2 | * | 1/2005 | Oonuma et al. | | 422/561 |
| D560,131 | S | * | 1/2008 | Hu | | D24/186 |
| D645,367 | S | * | 9/2011 | Hayashi et al. | | D10/81 |
| D670,400 | S | * | 11/2012 | O'Sullivan et al. | | D24/216 |
| D681,226 | S | * | 4/2013 | Oonuma et al. | | D24/216 |
| D681,227 | S | * | 4/2013 | Oonuma et al. | | D24/216 |

* cited by examiner

Primary Examiner — Wan Laymon

(74) *Attorney, Agent, or Firm* — Antonelli, Terry, Stout & Kraus, LLP.

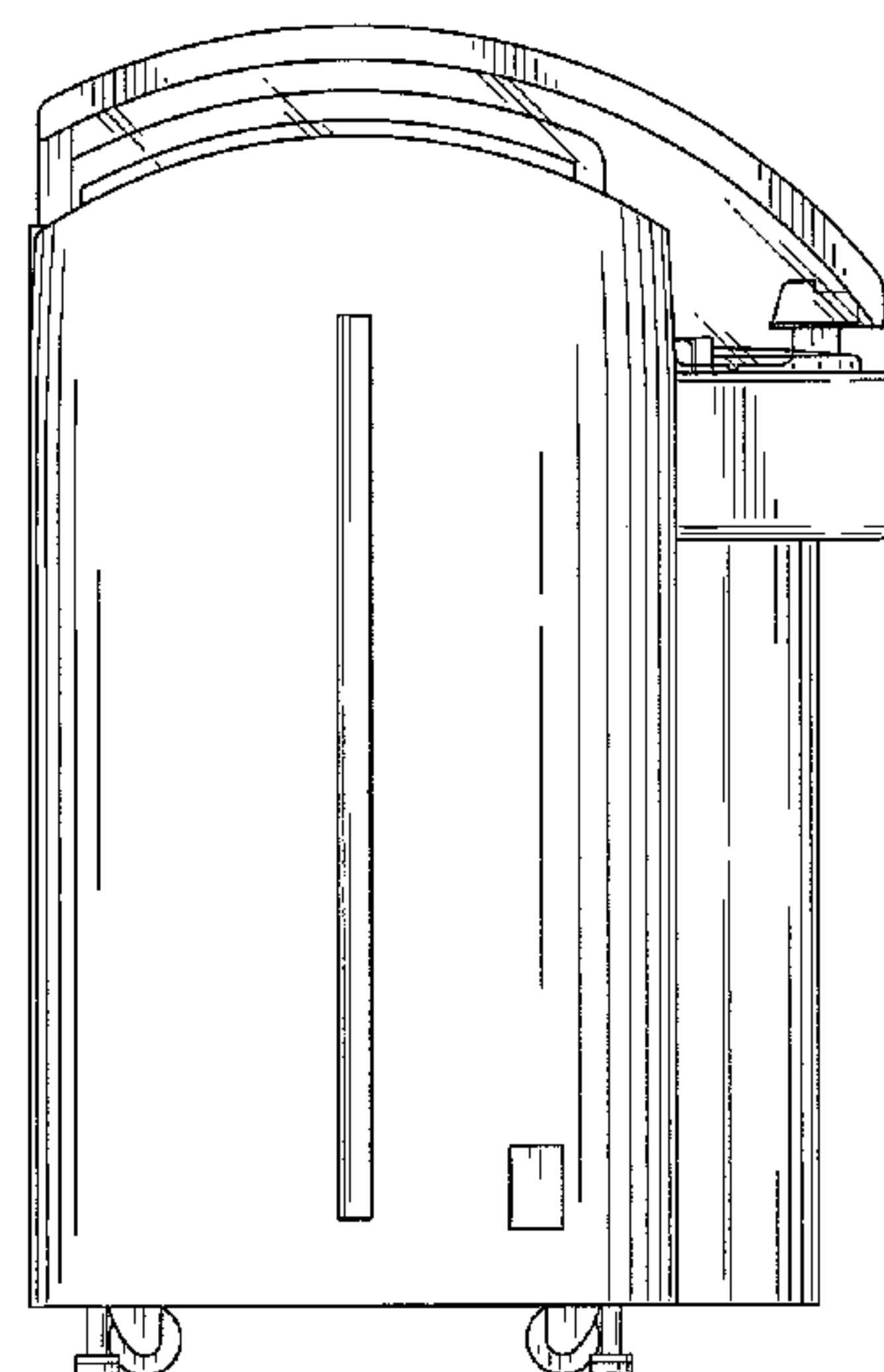
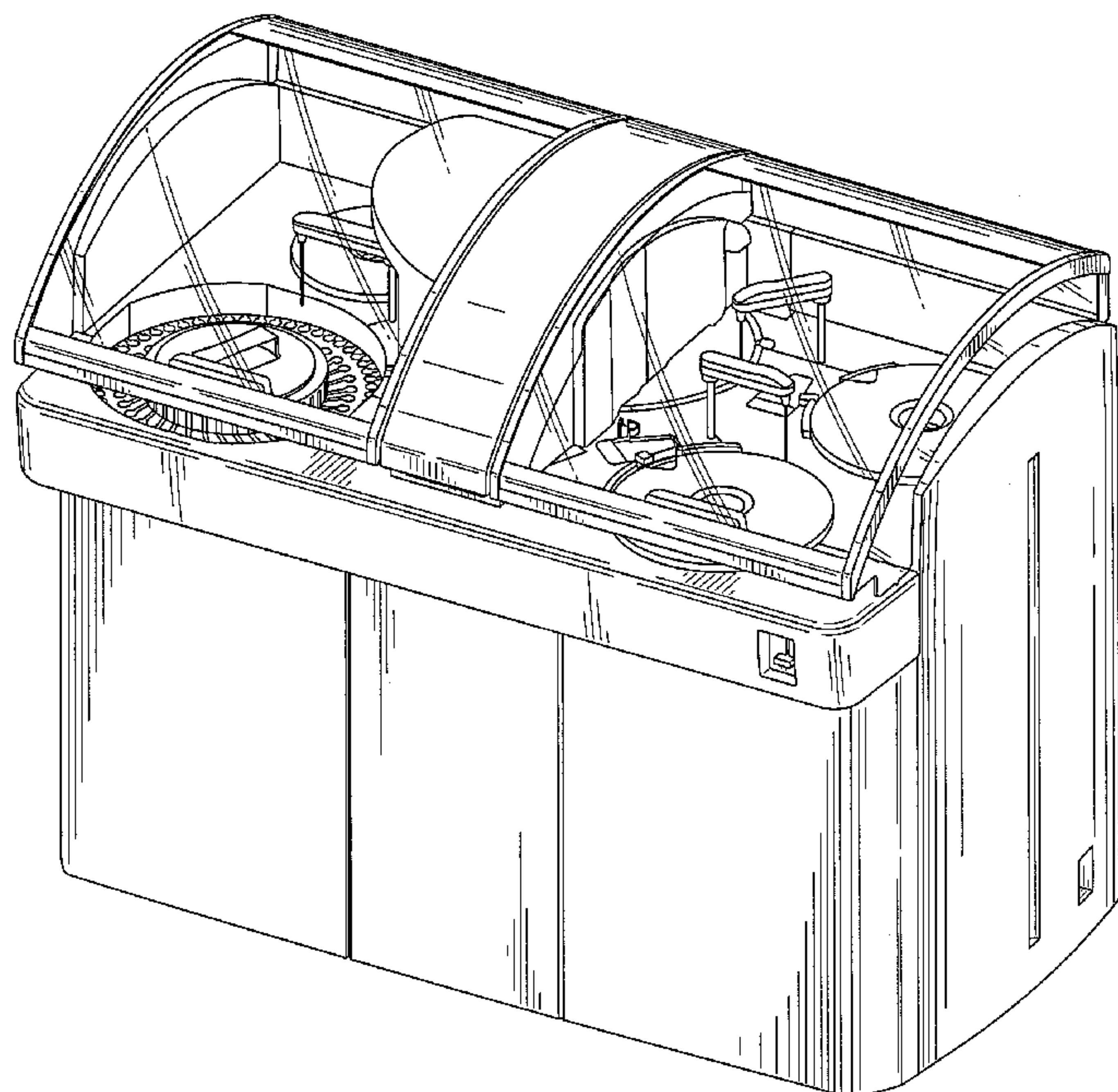
(57) **CLAIM**

We claim the ornamental design for a biochemical analyzer, as shown and described.

DESCRIPTION

FIG. 1 is a front, top and right side perspective view of a biochemical analyzer showing our new design; FIG. 2 is a front elevational view thereof; FIG. 3 is a rear elevational view thereof; FIG. 4 is a left side elevational view thereof; FIG. 5 is a right side elevational view thereof; FIG. 6 is a top plan view thereof; FIG. 7 is a bottom plan view thereof; and, FIG. 8 is a reference front, top and right side perspective view thereof shown in an opened position.

1 Claim, 6 Drawing Sheets



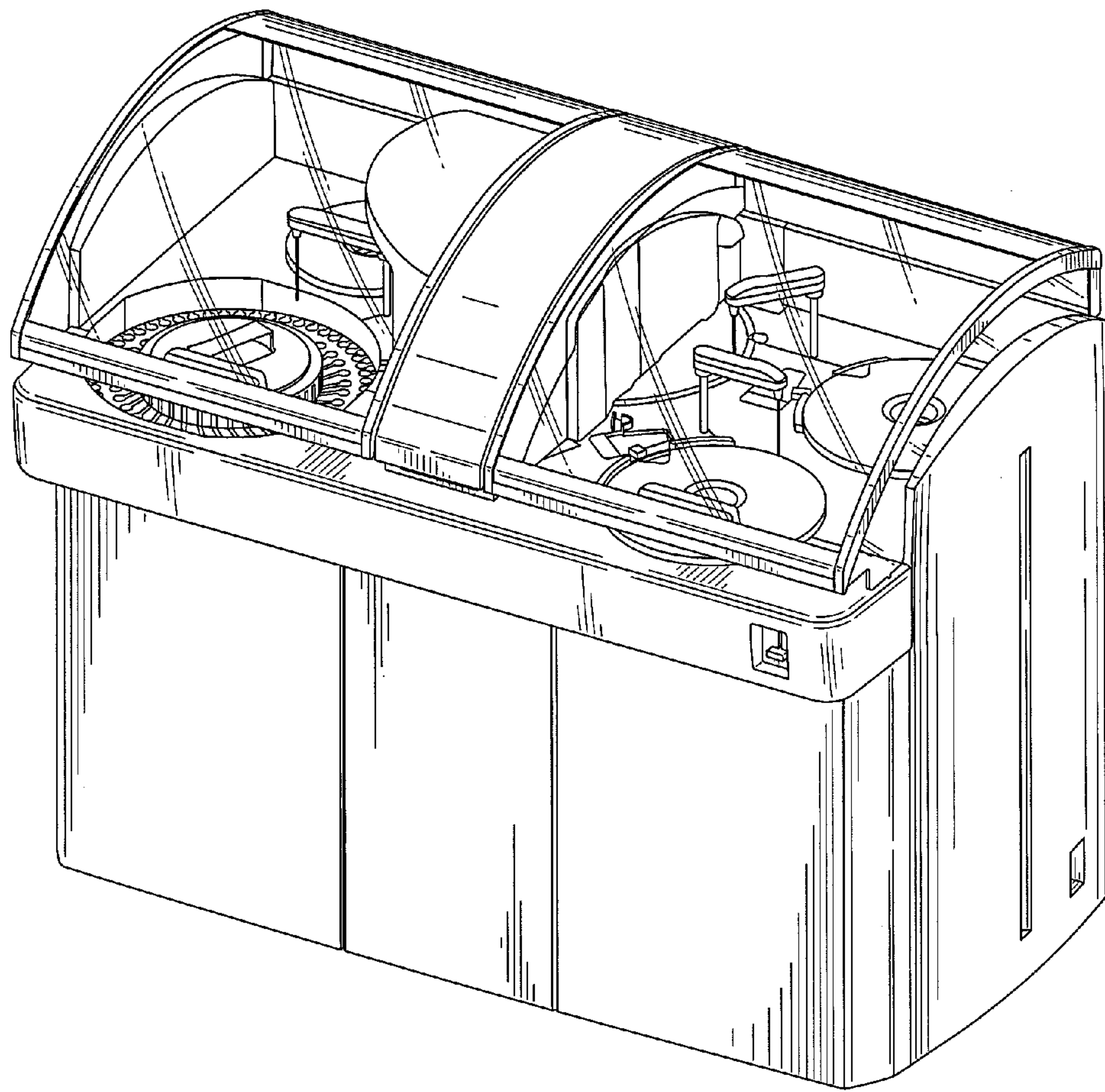


FIG. 1

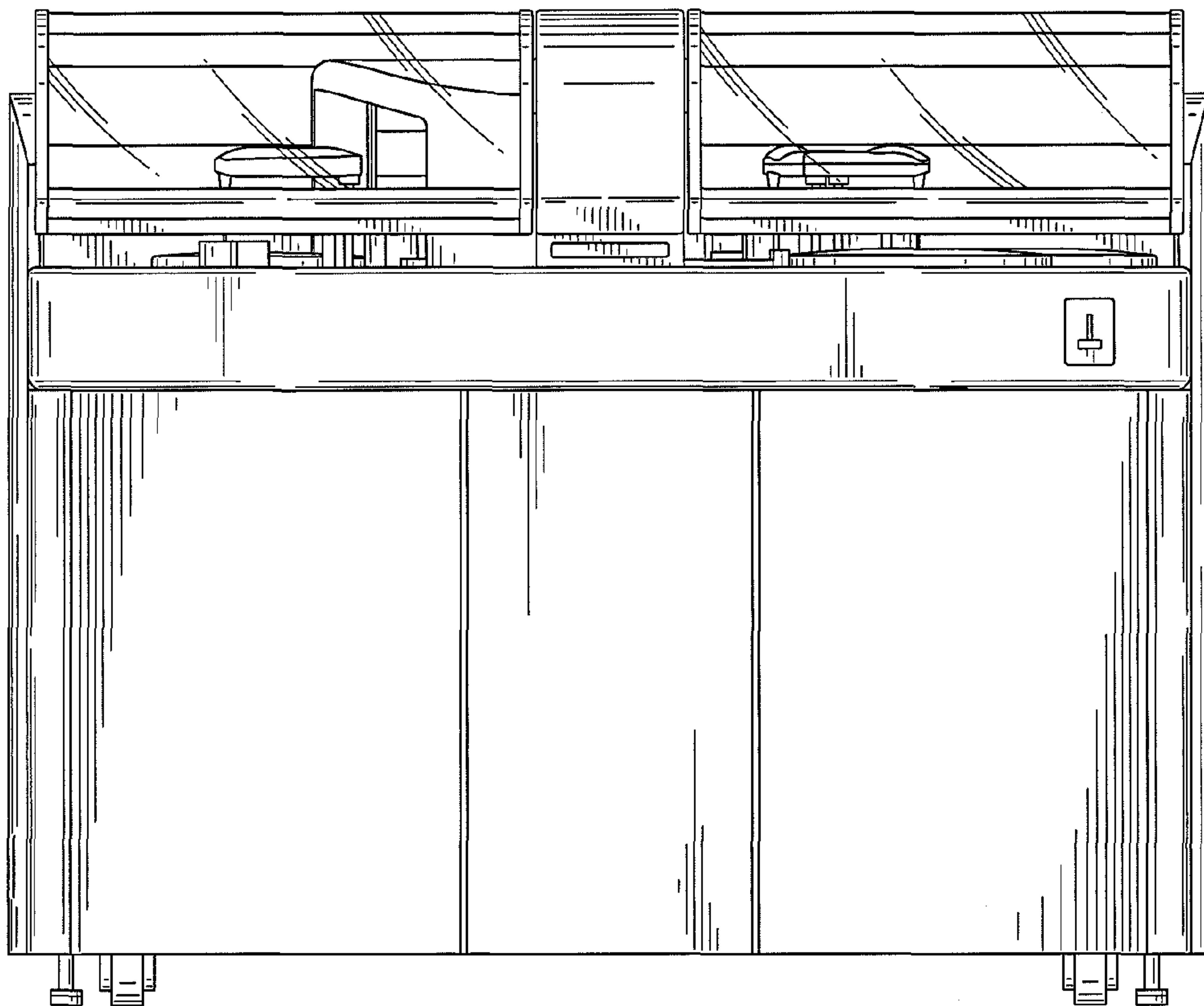


FIG. 2

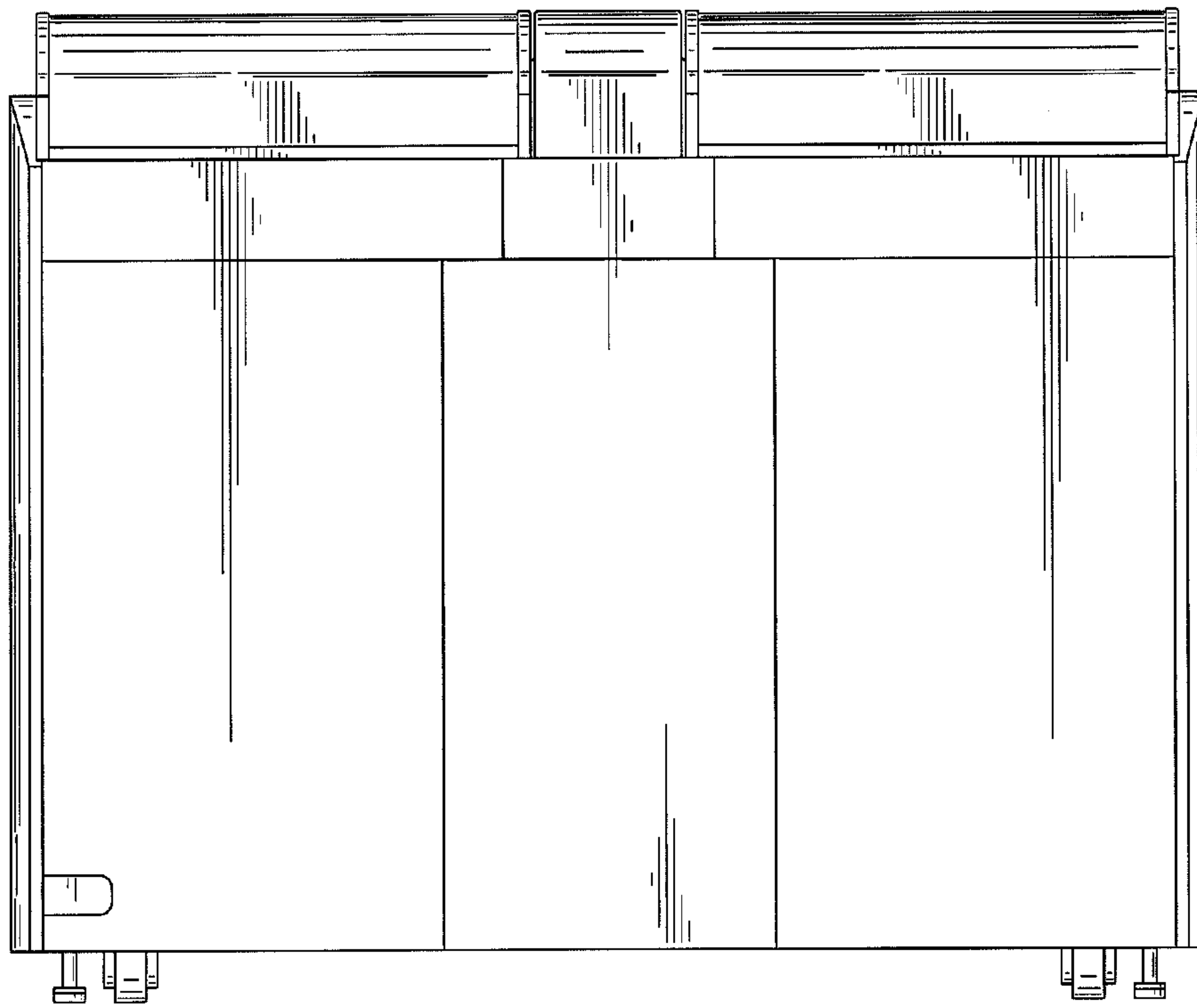


FIG. 3

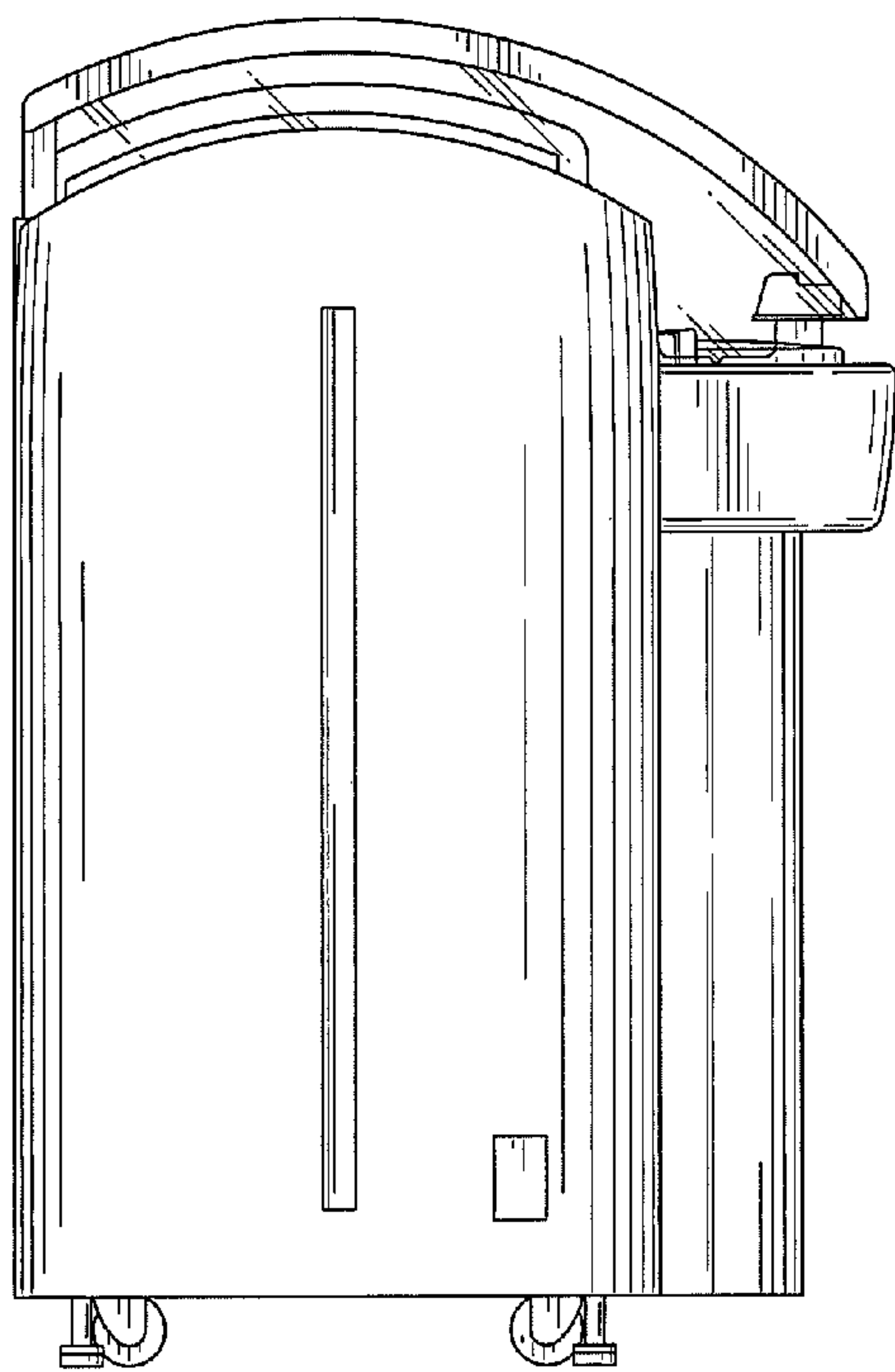


FIG. 4

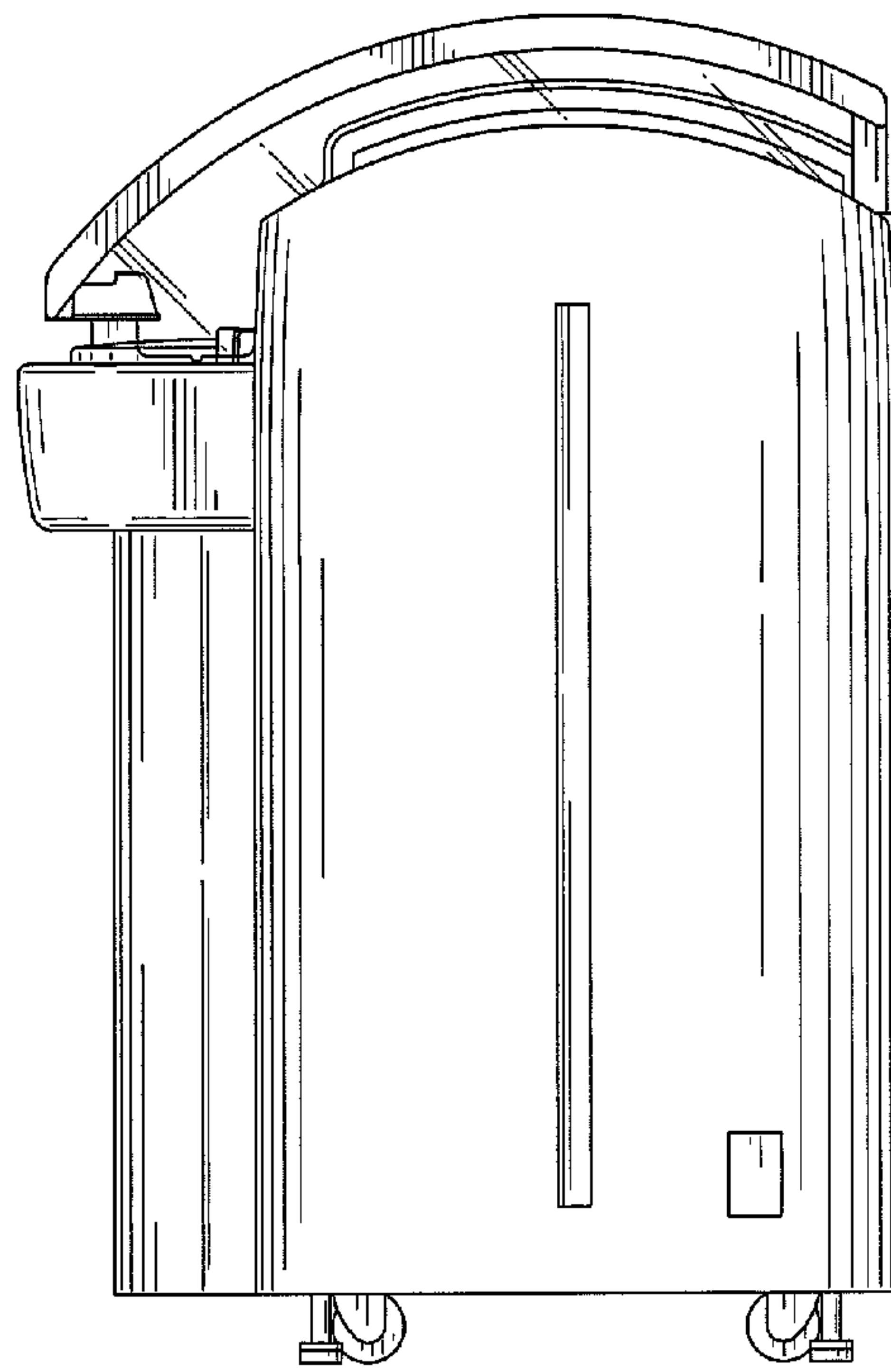


FIG. 5

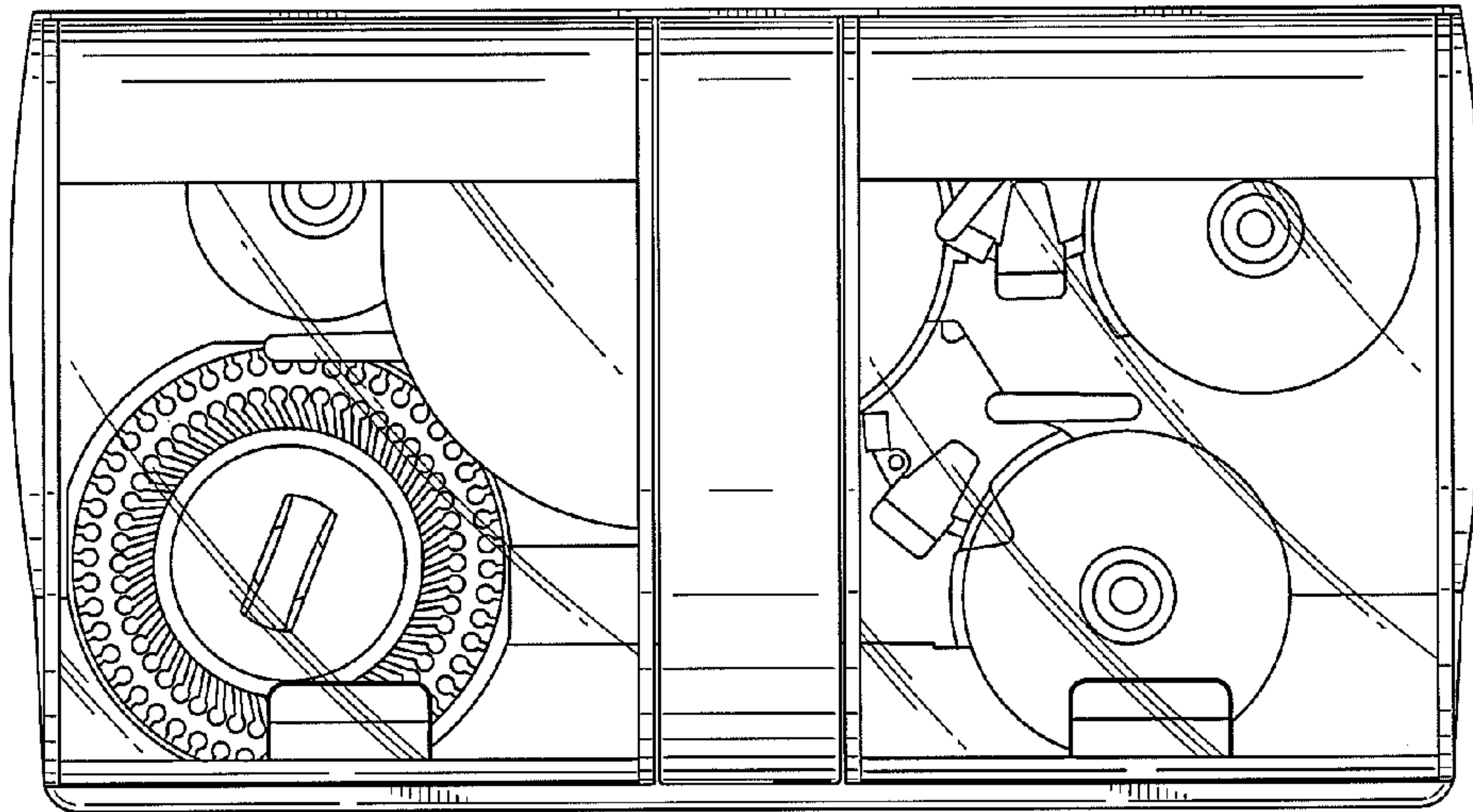


FIG. 6

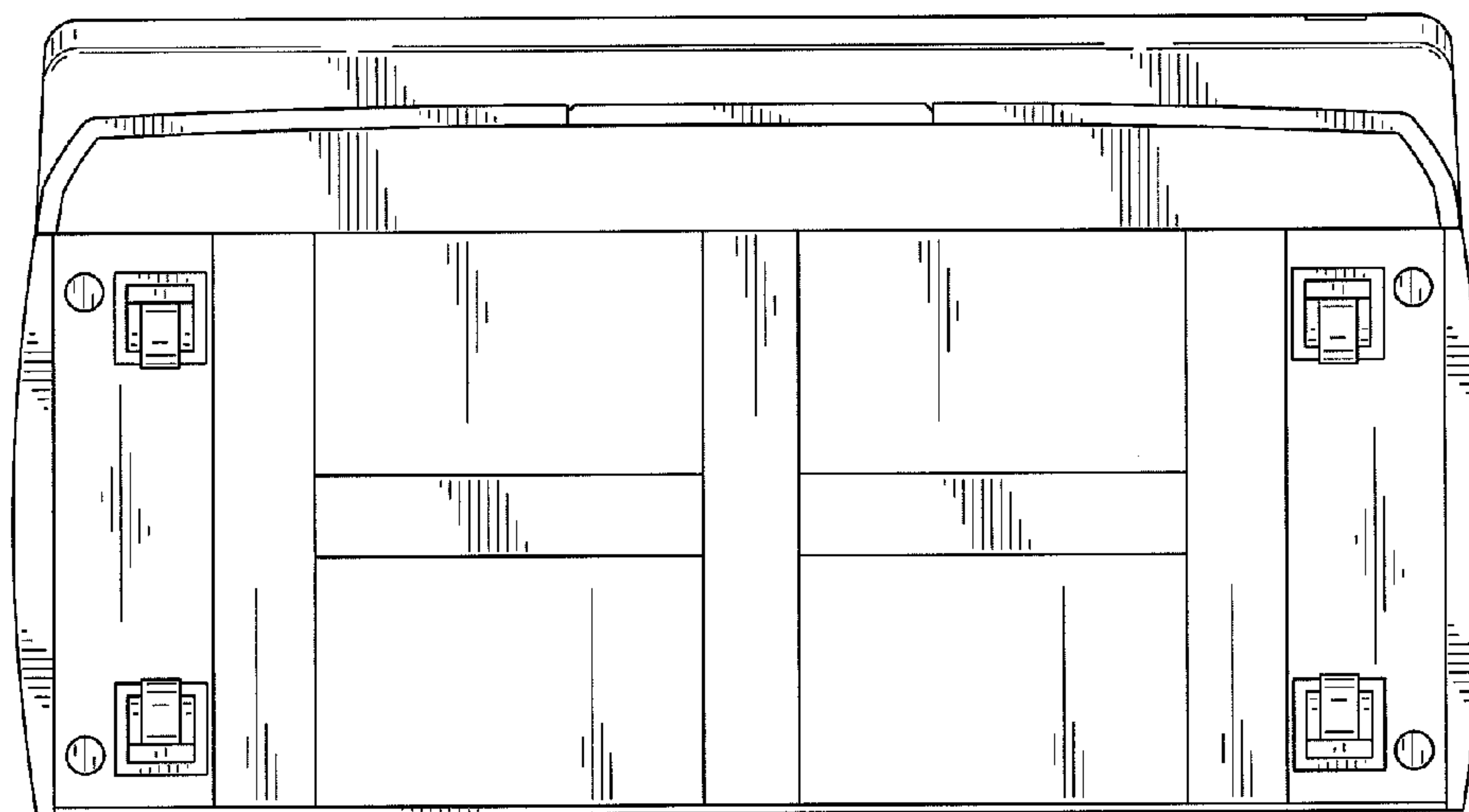


FIG. 7

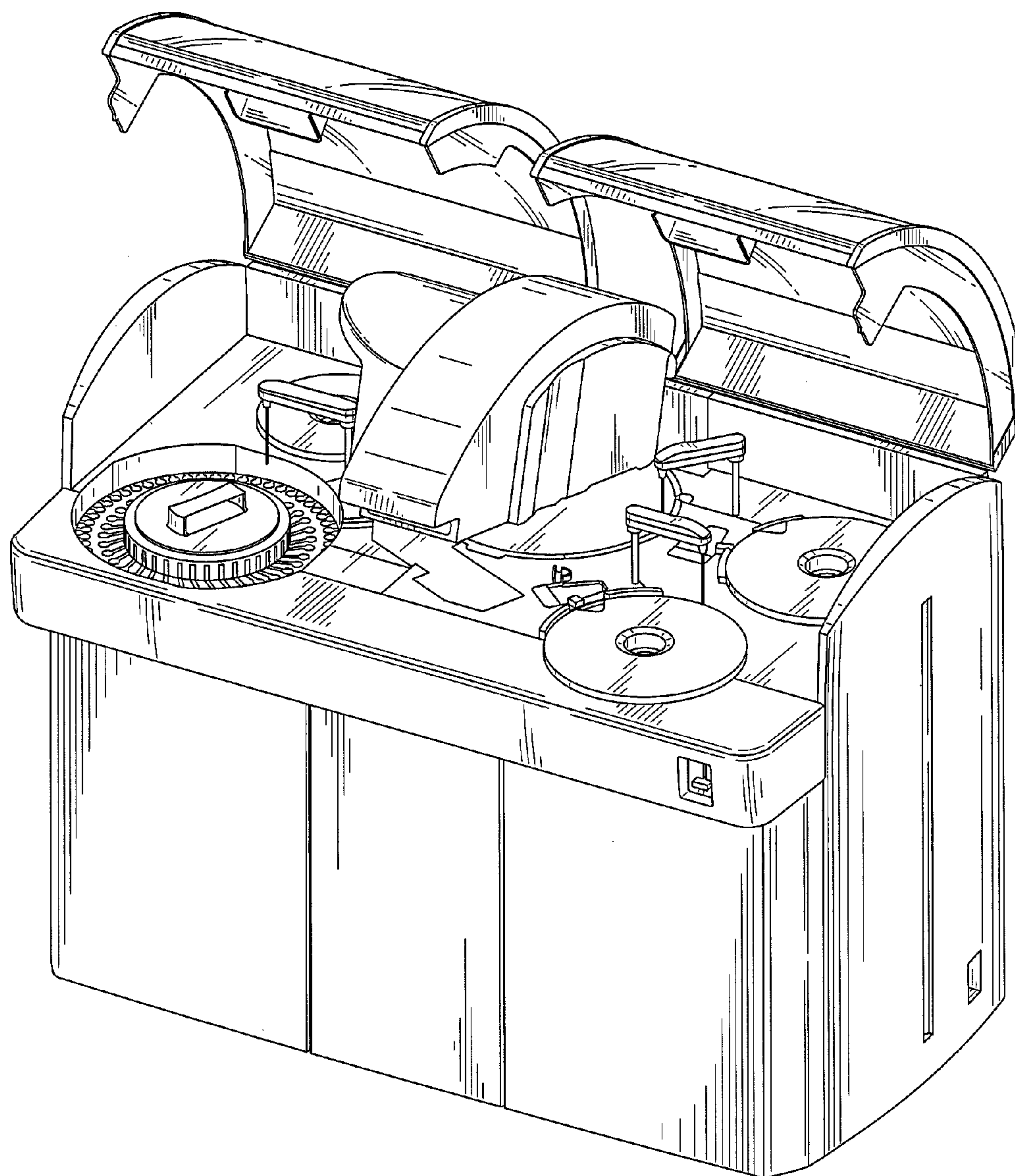


FIG. 8