



US00D715451S

(12) **United States Design Patent**
Mitchell

(10) **Patent No.:** **US D715,451 S**

(45) **Date of Patent:** **** Oct. 14, 2014**

(54) **CONTAINER NIPPLE CONNECTOR**

(75) Inventor: **Claire Mitchell**, Ripon (GB)

(73) Assignee: **Chillipeeps Limited**, North Yorkshire (GB)

(**) Term: **14 Years**

(21) Appl. No.: **29/418,400**

(22) Filed: **Apr. 16, 2012**

(30) **Foreign Application Priority Data**

Mar. 23, 2012 (EM) 002014019-003

(51) **LOC (10) CL.** **07-01**

(52) **U.S. Cl.**
USPC **D24/197**

(58) **Field of Classification Search**
USPC D24/197, 193, 207, 129, 127, 196;
220/694, 703, 227, 235, 714, 727, 745;
D9/452; 215/11.1, 11.2, 11.3, 11.4,
215/11.5, 11.6, 344
See application file for complete search history.

(56) **References Cited**

U.S. PATENT DOCUMENTS

D445,501 S * 7/2001 Niedospial, Jr. D24/129
6,354,449 B1 * 3/2002 Smith 215/11.1
7,537,133 B2 * 5/2009 Naesje 220/714
8,453,871 B2 * 6/2013 Dunyon et al. 220/745
8,684,201 B2 * 4/2014 Berkovitch et al. 215/11.5

2004/0089626 A1 * 5/2004 Pyun 215/11.5
2008/0237179 A1 * 10/2008 Fishman 215/344
2011/0127281 A1 6/2011 Mitchell

OTHER PUBLICATIONS

“Dorman/15 pcs. Universal Headliner Retainer.” autozone.com, n.d. Web. Jul. 1, 2014.*

“GM, Ford & Chrysler 6.4mm Hole Retainer.” amazon.com. Web. Jul. 20, 2013.*

* cited by examiner

Primary Examiner — George D Kirschbaum

Assistant Examiner — Kendra L Hamilton

(74) *Attorney, Agent, or Firm* — Sheridan Ross P.C.

(57) **CLAIM**

The ornamental design for a container nipple connector, as shown and described.

DESCRIPTION

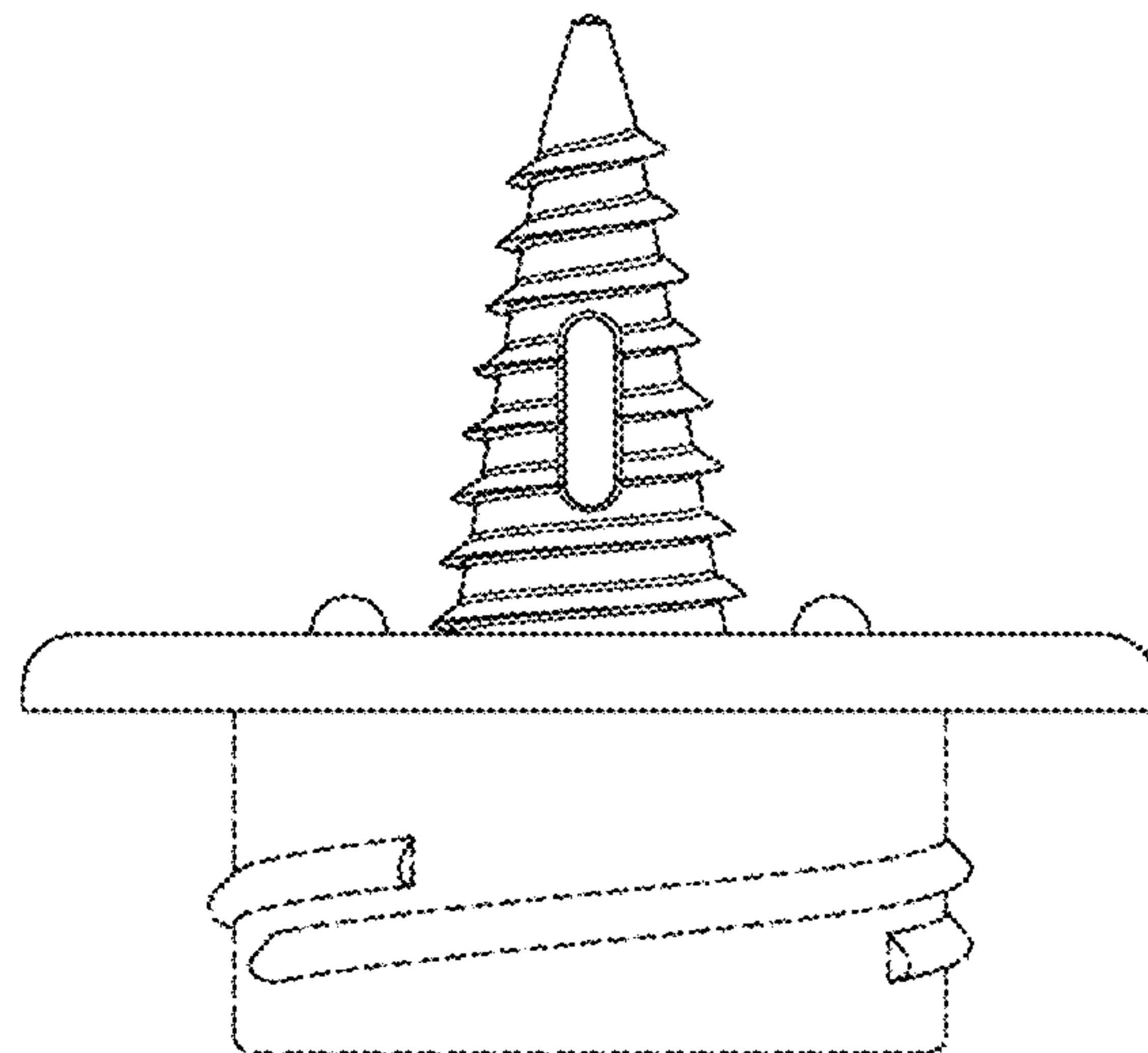
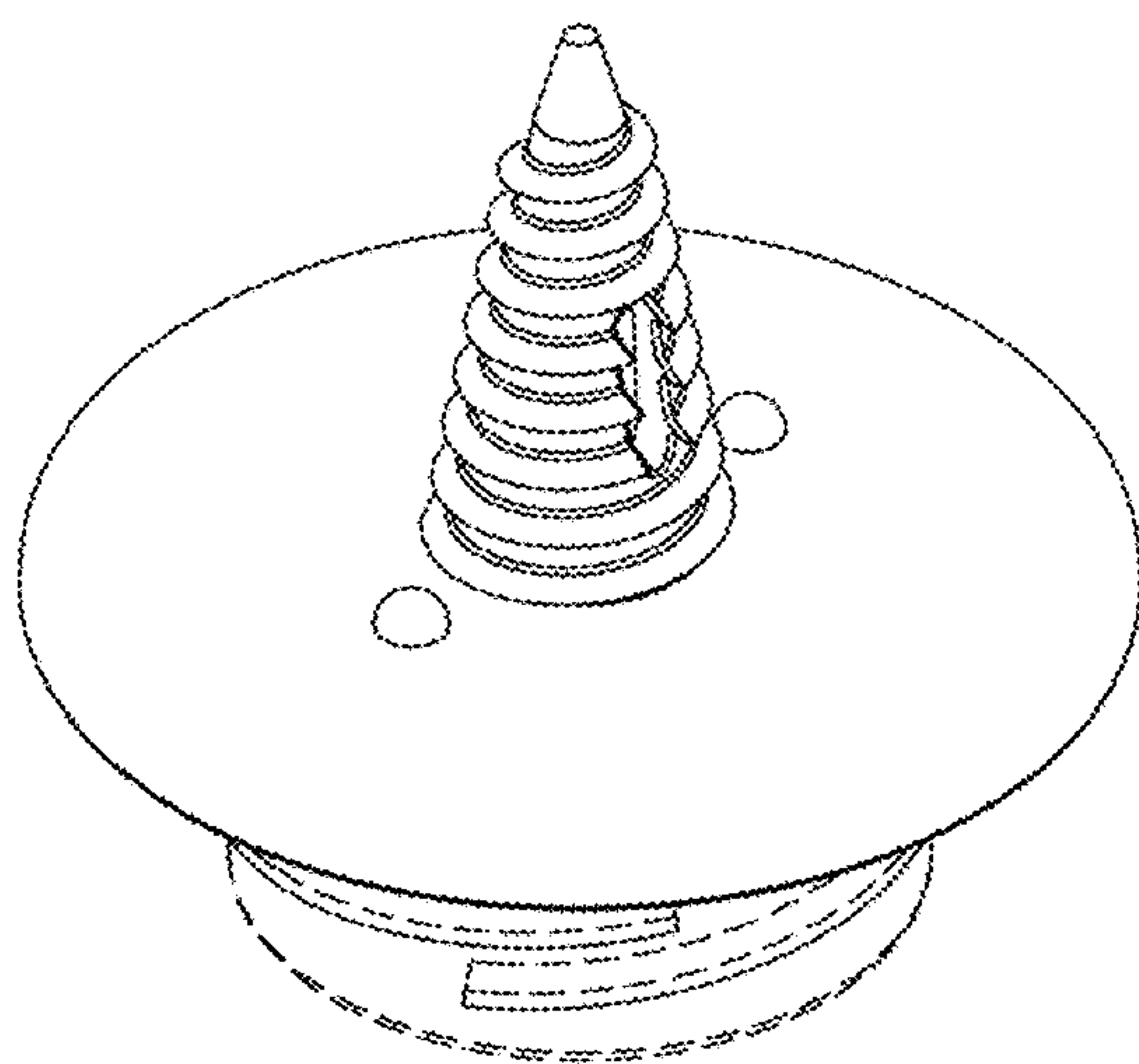
FIG. 1 is a top perspective view of the container nipple connector showing the new design;

FIG. 2 is a front elevation view thereof, the rear elevation view being a mirror image thereof;

FIG. 3 is a left elevation view thereof, the right elevation being a mirror image thereof; and,

FIG. 4 is a top plan view thereof, the bottom plan view comprising unclaimed subject matter bounded by a circular boundary shown in FIG. 3.

1 Claim, 4 Drawing Sheets



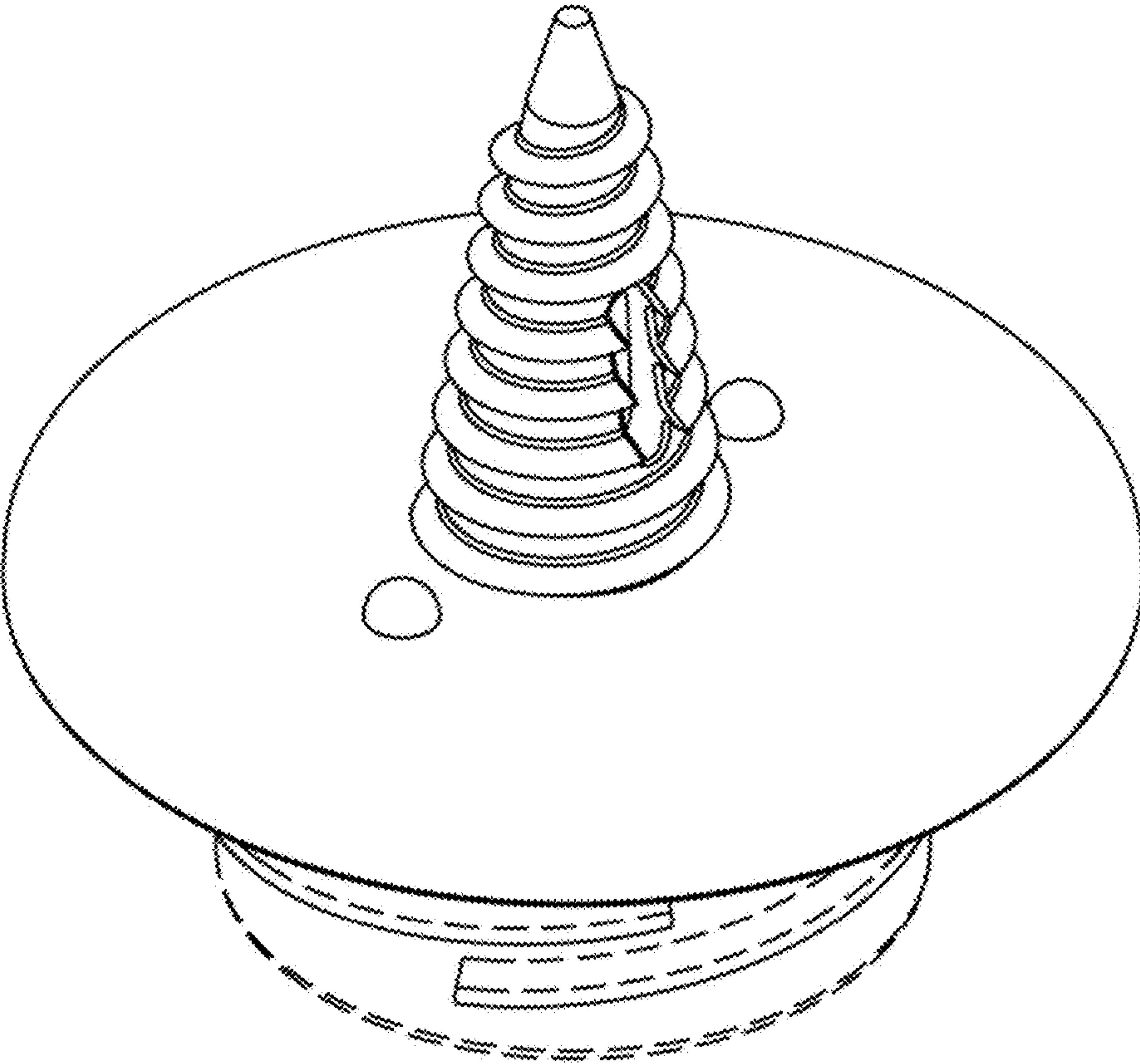


FIG. 1

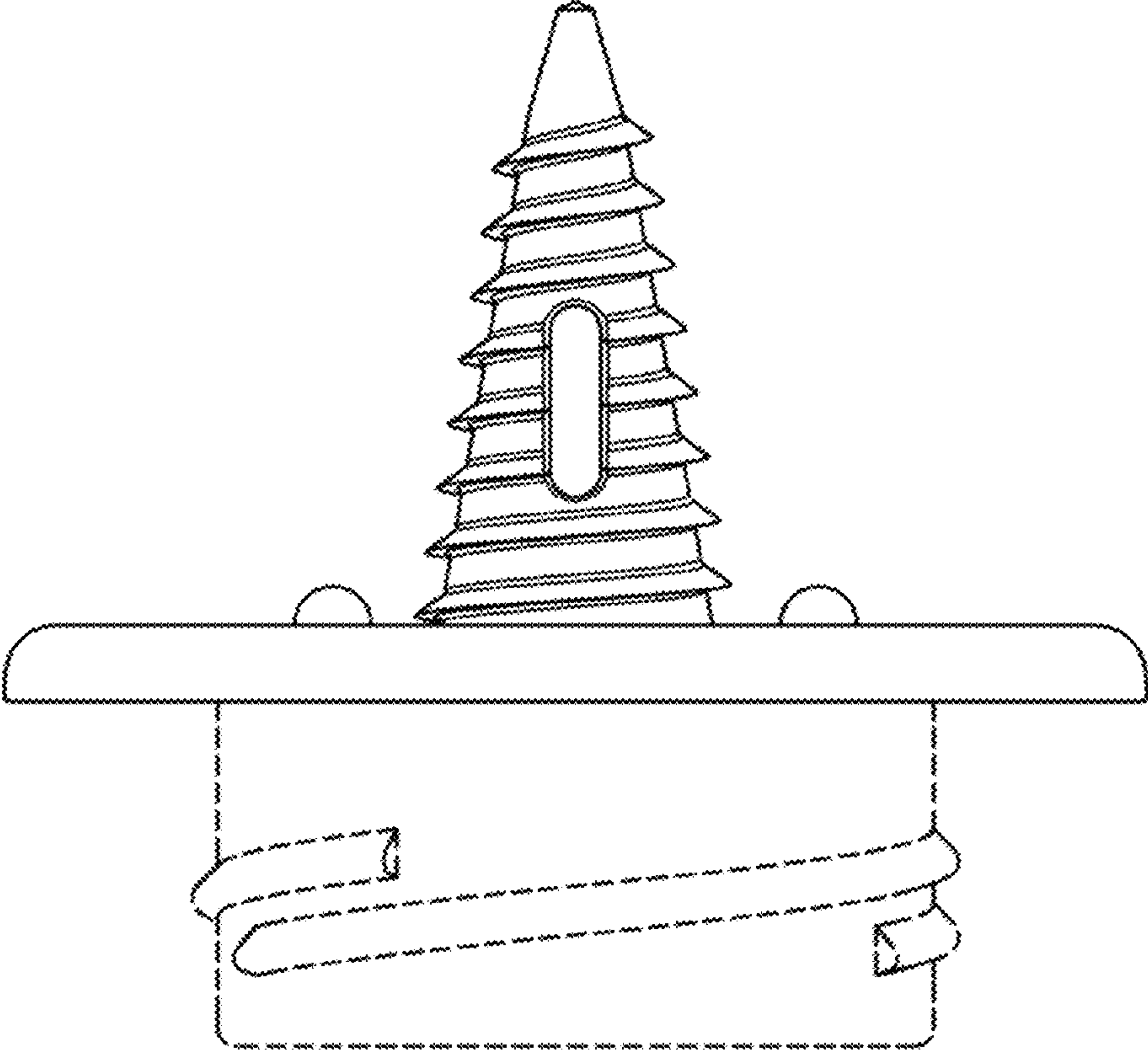


FIG. 2

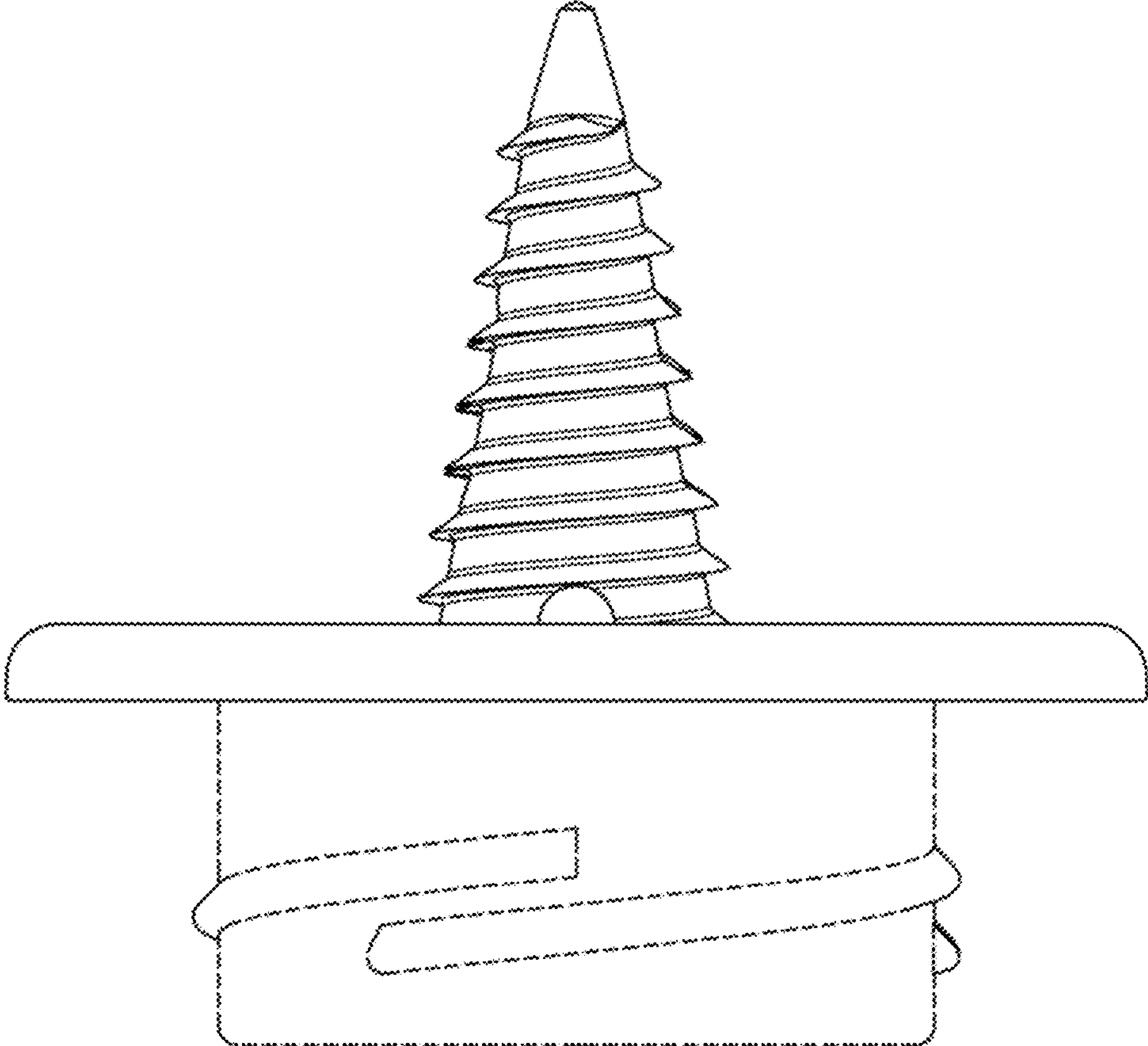


FIG. 3

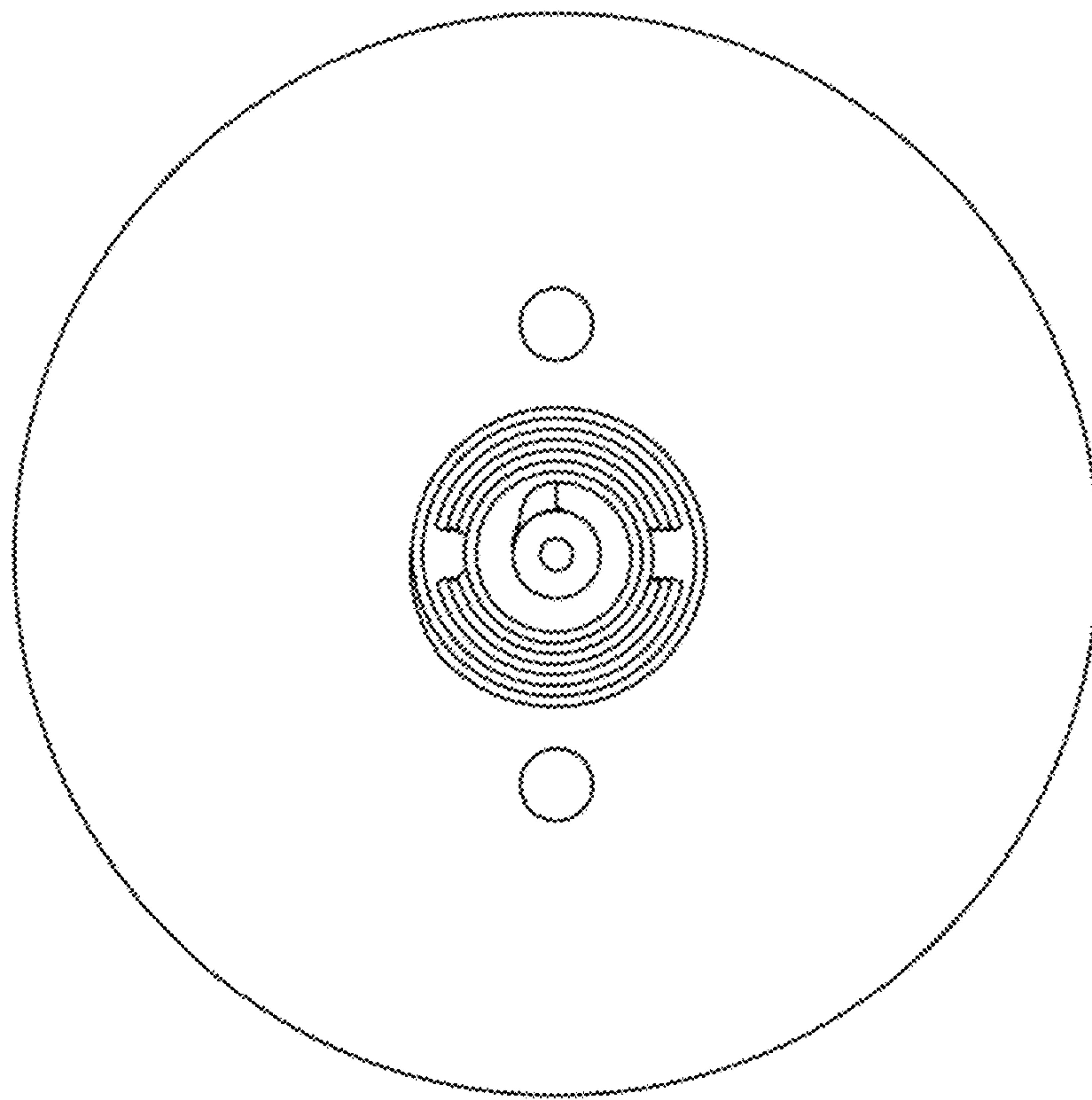


FIG. 4