



US00D715445S

(12) **United States Design Patent**
Zhang et al.

(10) **Patent No.:** **US D715,445 S**
(45) **Date of Patent:** **** Oct. 14, 2014**

(54) **PORTABLE ULTRASOUND IMAGING
DEVICE**

(71) Applicant: **Shenzhen Mindray Bio-Medical
Electronics Co., Ltd., Shenzhen (CN)**

(72) Inventors: **Qi Zhang, Shenzhen (CN); Jun Luo,
Shenzhen (CN)**

(73) Assignee: **Shenzhen Mindray Bio-Medical
Electronics Co., Ltd., Shenzhen (CN)**

(**) Term: **14 Years**

(21) Appl. No.: **29/464,997**

(22) Filed: **Aug. 22, 2013**

(30) **Foreign Application Priority Data**

Feb. 28, 2013 (CN) 2013 3 0049006

(51) **LOC (10) Cl.** **24-01**

(52) **U.S. Cl.**
USPC **D24/160**

(58) **Field of Classification Search**
CPC A61B 8/4427; A61B 8/462; A61B 8/463;
A61B 8/467
USPC D24/158-161, 185, 186; 606/32-34;
600/437, 443; 248/282.1
See application file for complete search history.

(56) **References Cited**

U.S. PATENT DOCUMENTS

D550,366 S * 9/2007 Zhou D24/186
D681,830 S * 5/2013 Chung et al. D24/186
D683,033 S * 5/2013 Yoshida et al. D24/186
D695,898 S * 12/2013 Chung et al. D24/158
2008/0249406 A1 * 10/2008 Naruse 600/437

2009/0326380 A1 * 12/2009 Shin et al. 600/459
2010/0004535 A1 * 1/2010 Song et al. 600/437
2010/0121195 A1 * 5/2010 Kang 600/459
2011/0125021 A1 * 5/2011 Sudol 600/443
2013/0006110 A1 * 1/2013 Hwang et al. 600/437
2013/0261447 A1 * 10/2013 Tashiro 600/437
2014/0009426 A1 * 1/2014 Glynn et al. 345/173

* cited by examiner

Primary Examiner — Anhdao Doan

(74) *Attorney, Agent, or Firm* — Kory D. Christensen; Stoel
Rives LLP

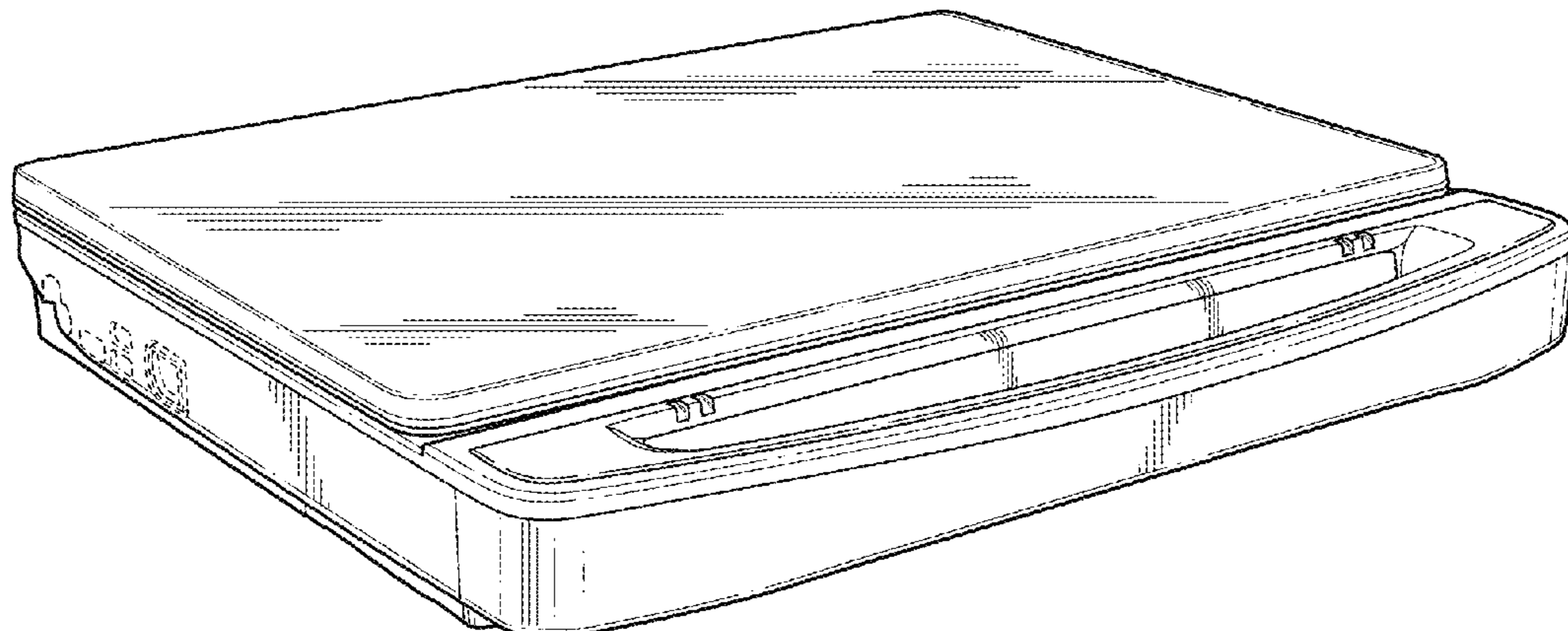
(57) **CLAIM**

The ornamental design for a portable ultrasound imaging
device, as shown and described.

DESCRIPTION

FIG. 1 is a front perspective of an embodiment of a portable
ultrasound imaging device showing our new design;
FIG. 2 is a left side elevation view thereof;
FIG. 3 is a top plan view thereof;
FIG. 4 is a right side elevation view thereof;
FIG. 5 is a bottom plan view thereof;
FIG. 6 is a front elevation view thereof;
FIG. 7 is a rear elevation view thereof;
FIG. 8 is a front perspective view of the portable ultrasound
imaging device in an open configuration; and,
FIG. 9 is a rear perspective view of the portable ultrasound
imaging device in an open configuration.
The broken lines immediately adjacent the shaded areas rep-
resent the bounds of the claimed design, while all other bro-
ken lines are directed to environment and are for illustrative
purposes only; the broken lines form no part of the claimed
design.

1 Claim, 5 Drawing Sheets



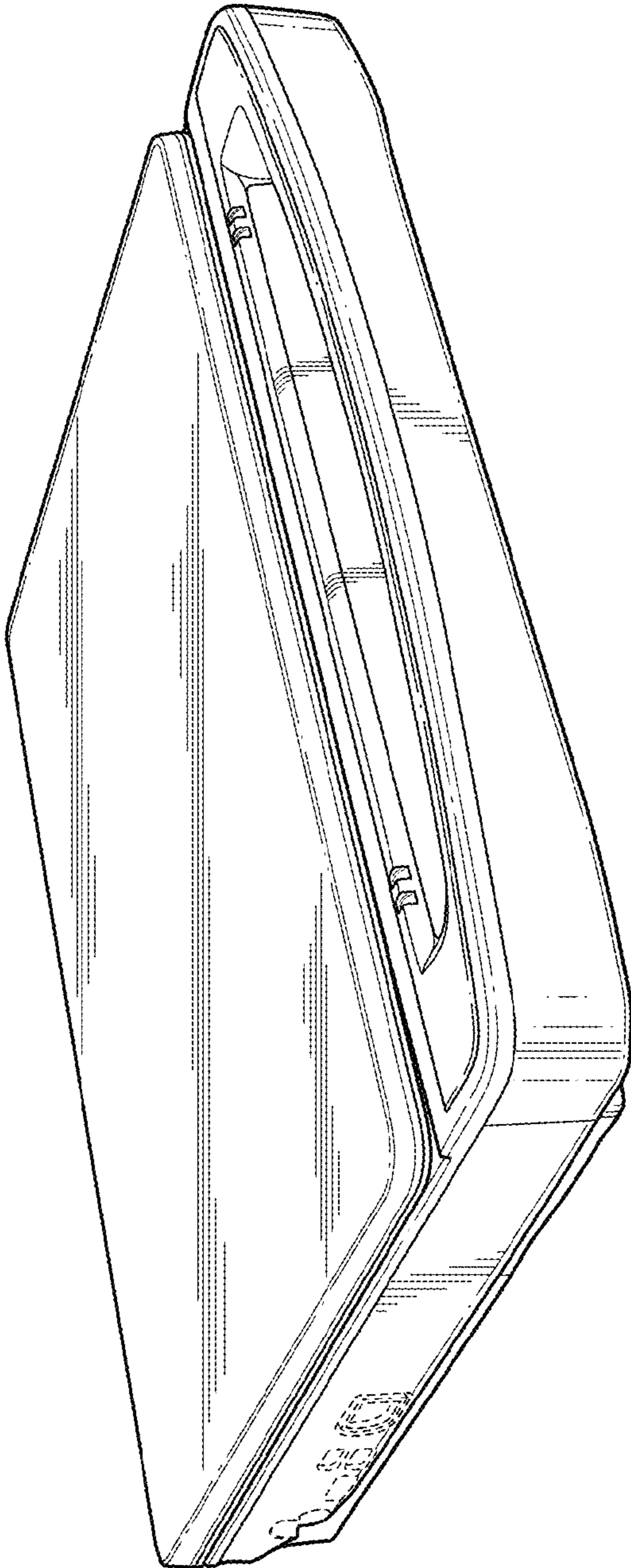


FIG. 1

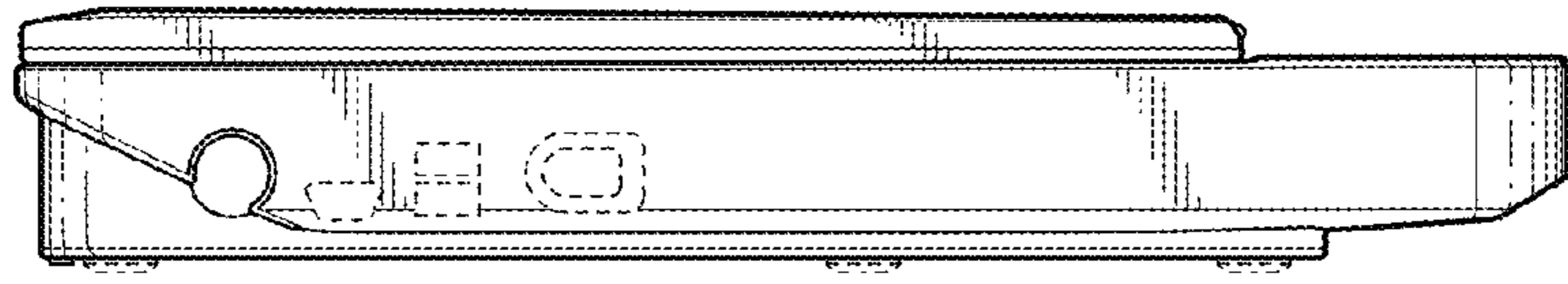


FIG. 4

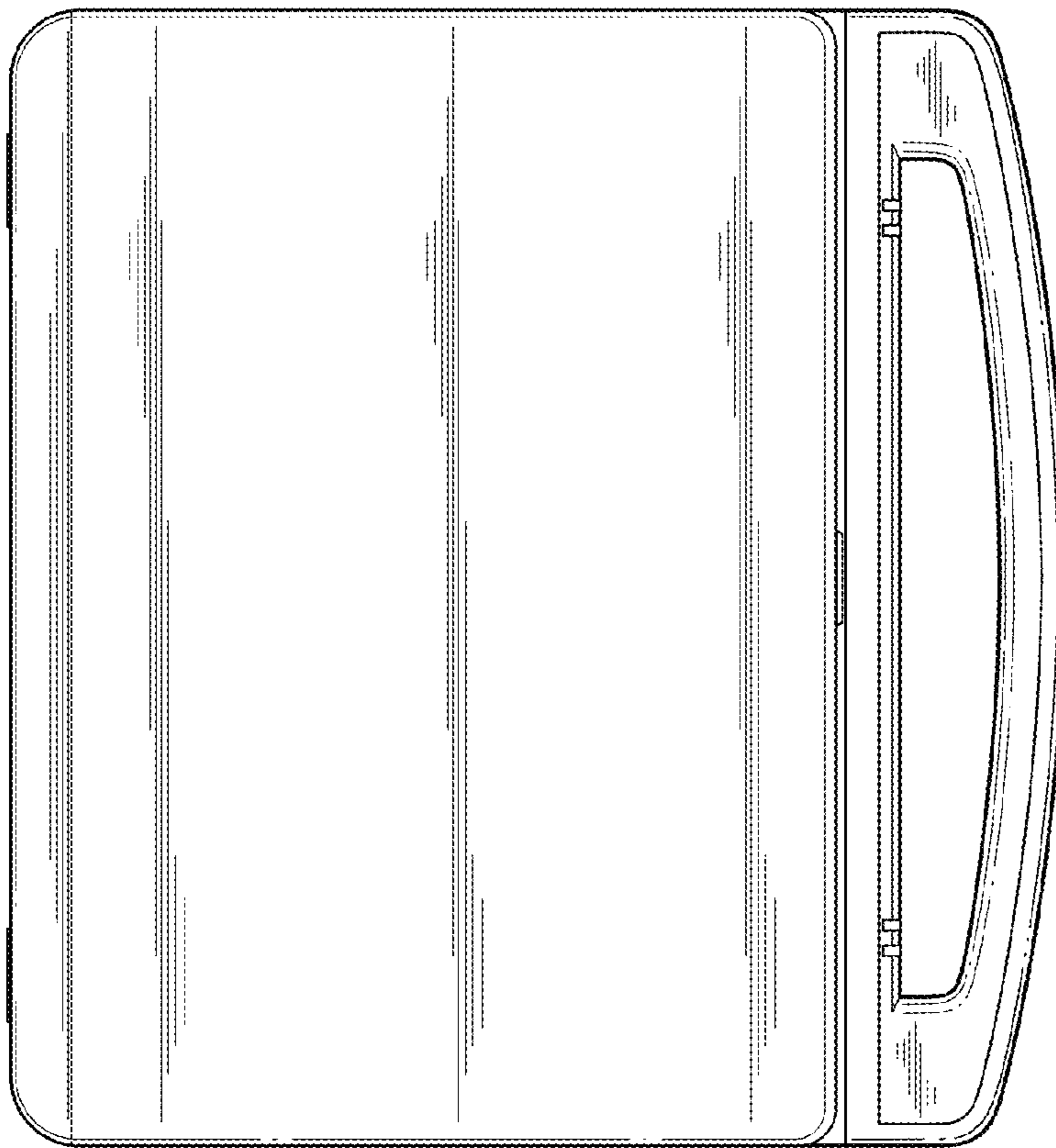


FIG. 3

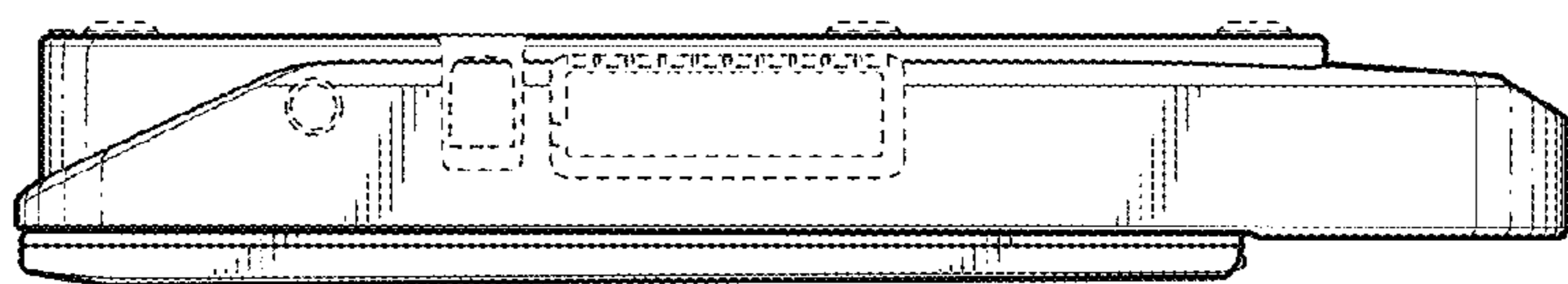


FIG. 2

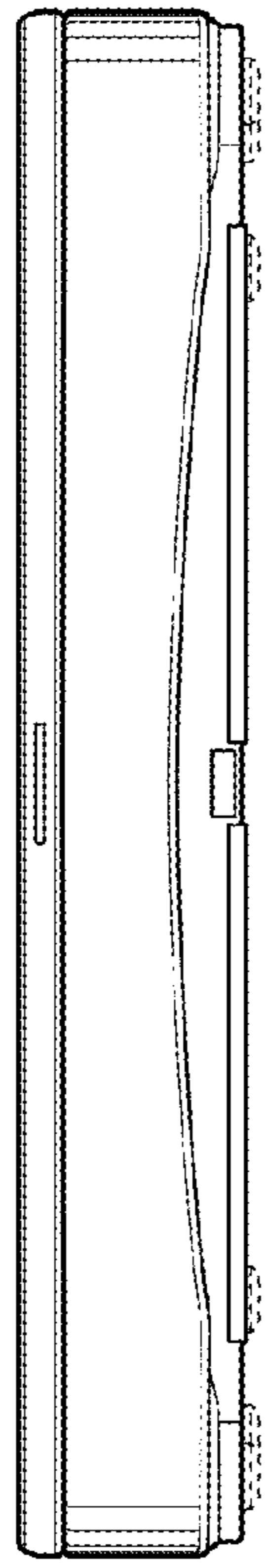


FIG. 6

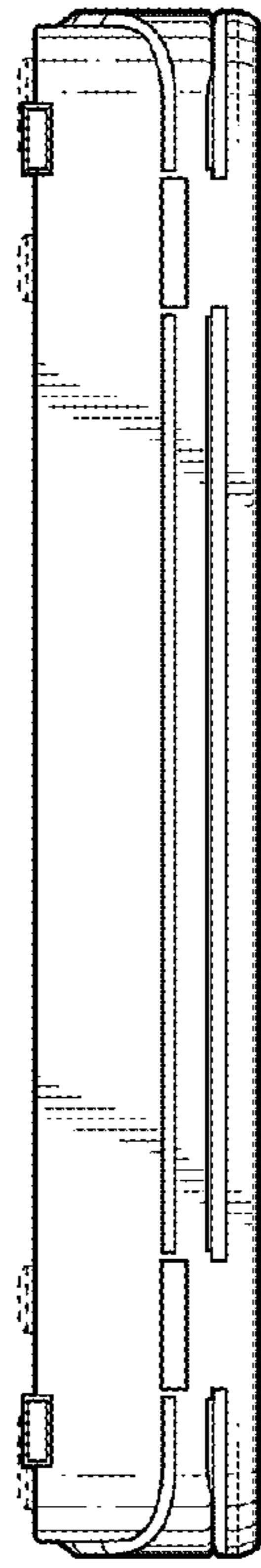


FIG. 7

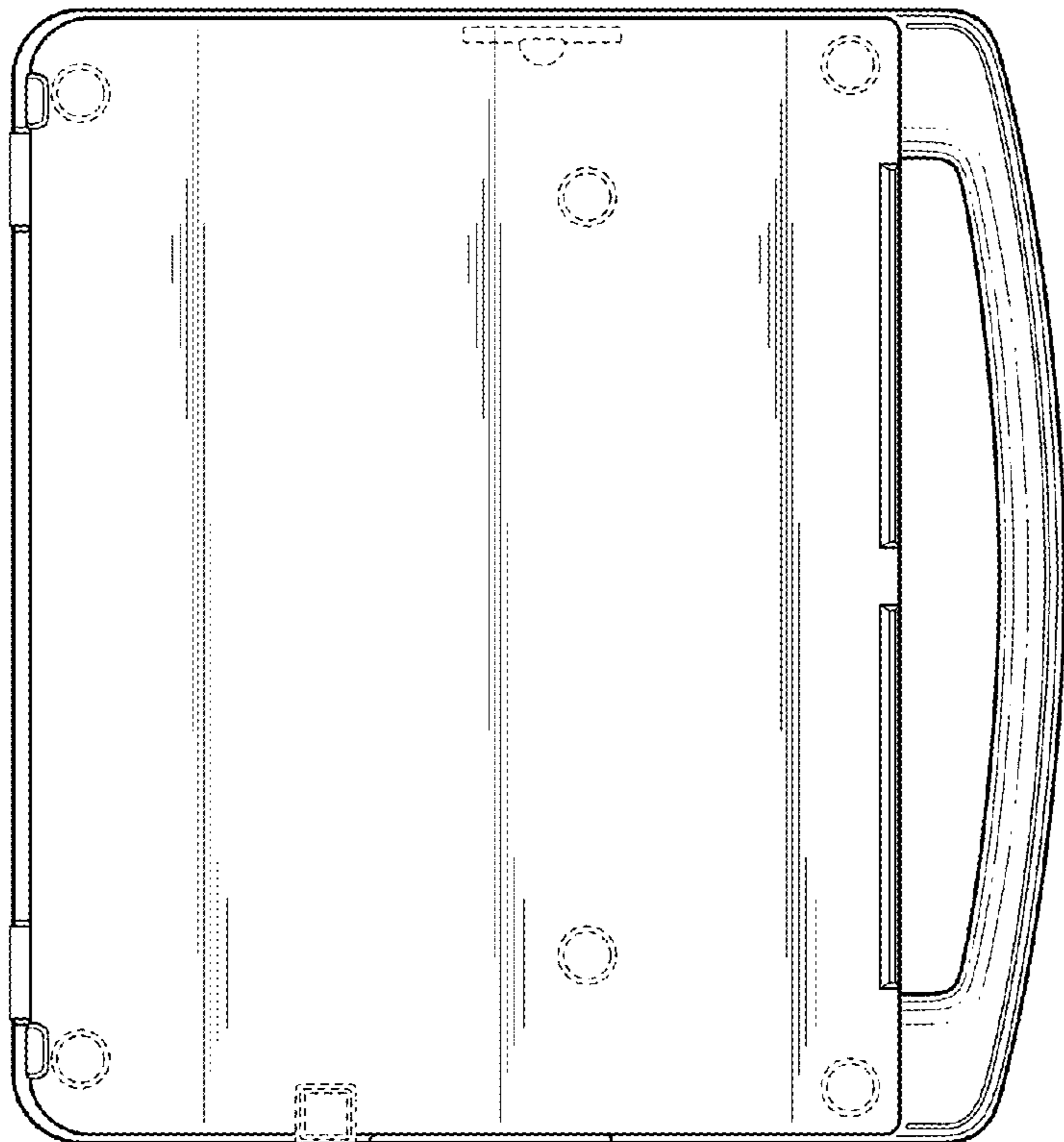


FIG. 5

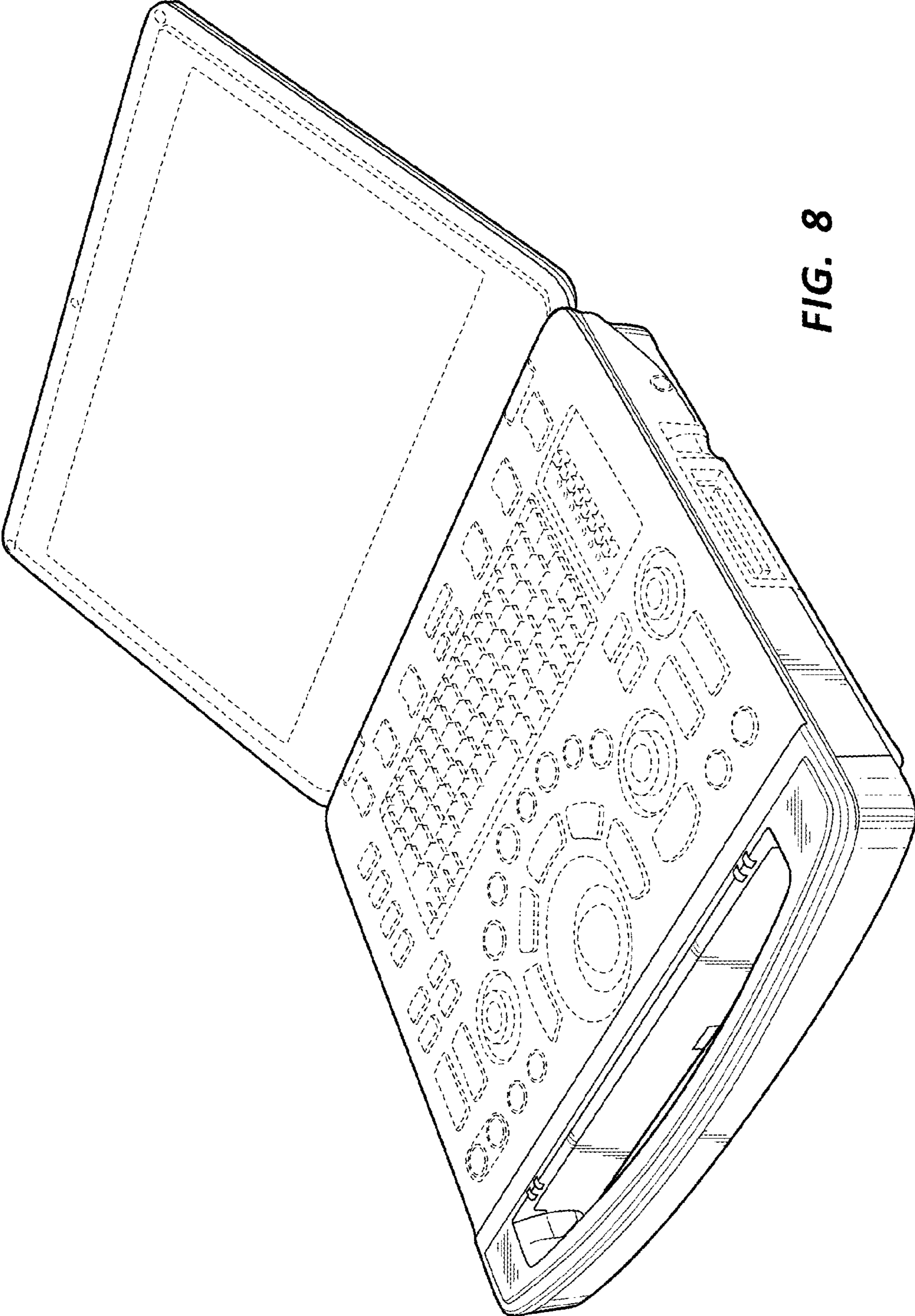


FIG. 8

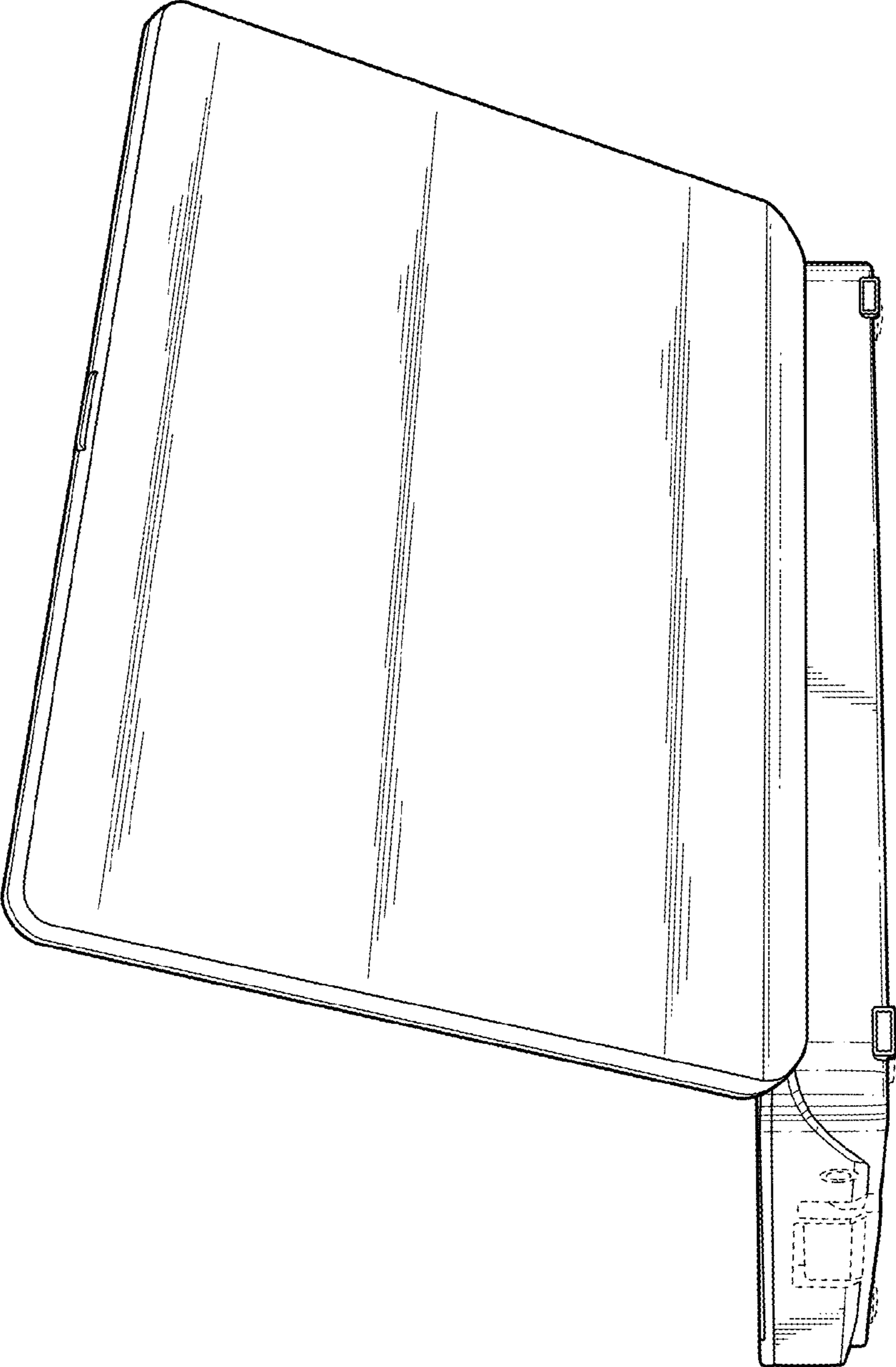


FIG. 9