



US00D715443S

(12) **United States Design Patent**
Sul

(10) **Patent No.:** **US D715,443 S**

(45) **Date of Patent:** **** Oct. 14, 2014**

(54) **X-RAY DEVICE**

(71) Applicant: **Samsung Electronics Co., Ltd.**,
Suwon-si (KR)

(72) Inventor: **Sung-Woo Sul**, Yongin (KR)

(73) Assignee: **Samsung Electronics Co., Ltd.** (KR)

(**) Term: **14 Years**

(21) Appl. No.: **29/468,812**

(22) Filed: **Oct. 3, 2013**

(30) **Foreign Application Priority Data**

May 24, 2013 (KR) 30-2013-0027197

(51) **LOC (10) Cl.** **24-01**

(52) **U.S. Cl.**
USPC **D24/158**

(58) **Field of Classification Search**
USPC D24/158-161, 185, 186; 378/4, 21-27,
378/38, 40, 102, 196-198; 248/295.11,
248/297.21, 298.1; D8/380; D14/363, 452
See application file for complete search history.

(56) **References Cited**

U.S. PATENT DOCUMENTS

4,805,202 A * 2/1989 Deucher et al. 378/209
7,029,176 B2 * 4/2006 Martti et al. 378/197

D554,755 S * 11/2007 Iwasaki et al. D24/158
7,672,425 B2 * 3/2010 Rotondo et al. 378/196
D627,474 S * 11/2010 Nordgren et al. D24/185
D690,012 S * 9/2013 Yanase et al. D24/158
D691,723 S * 10/2013 Patil et al. D24/158
2010/0128840 A1 * 5/2010 Cha 378/4
2011/0249807 A1 * 10/2011 Dirisio et al. 378/198

* cited by examiner

Primary Examiner — Anhdao Doan

(74) *Attorney, Agent, or Firm* — Cantor Colburn LLP

(57) **CLAIM**

The ornamental design for an X-ray device, as shown and described.

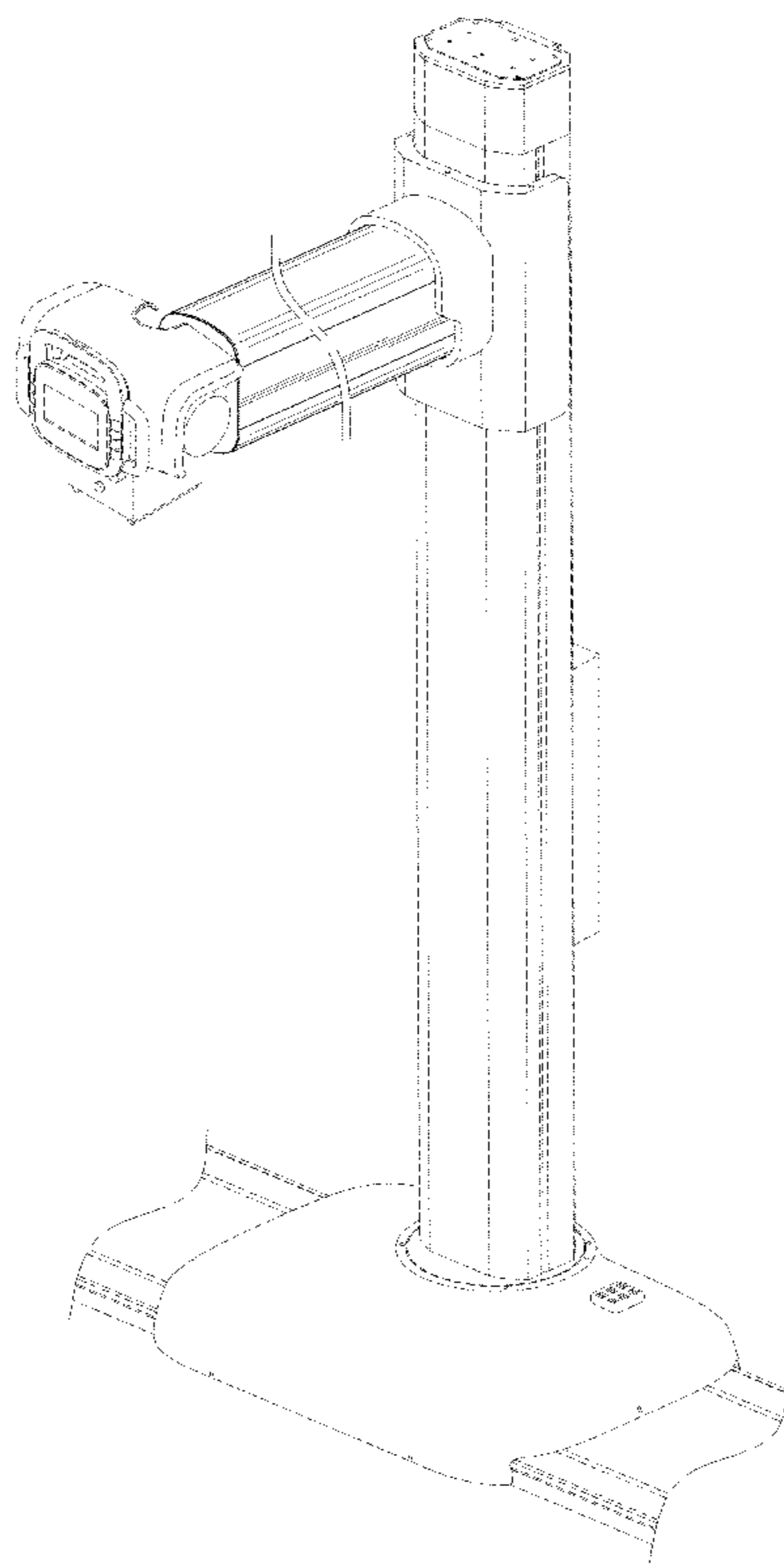
DESCRIPTION

FIG. 1 is a top front perspective view of an X-ray device showing my new design;
FIG. 2 is a front view thereof;
FIG. 3 is a rear view thereof;
FIG. 4 is a left side view thereof;
FIG. 5 is a right side view thereof;
FIG. 6 is a top view thereof; and,
FIG. 7 is a bottom view thereof.

The broken lines illustrating portions of the X-ray device are for environmental purposes only and form no part of the claimed design.

In addition, the dash-dot lines defining a break in the X-ray device show indefinite length in the X-ray device.

1 Claim, 7 Drawing Sheets



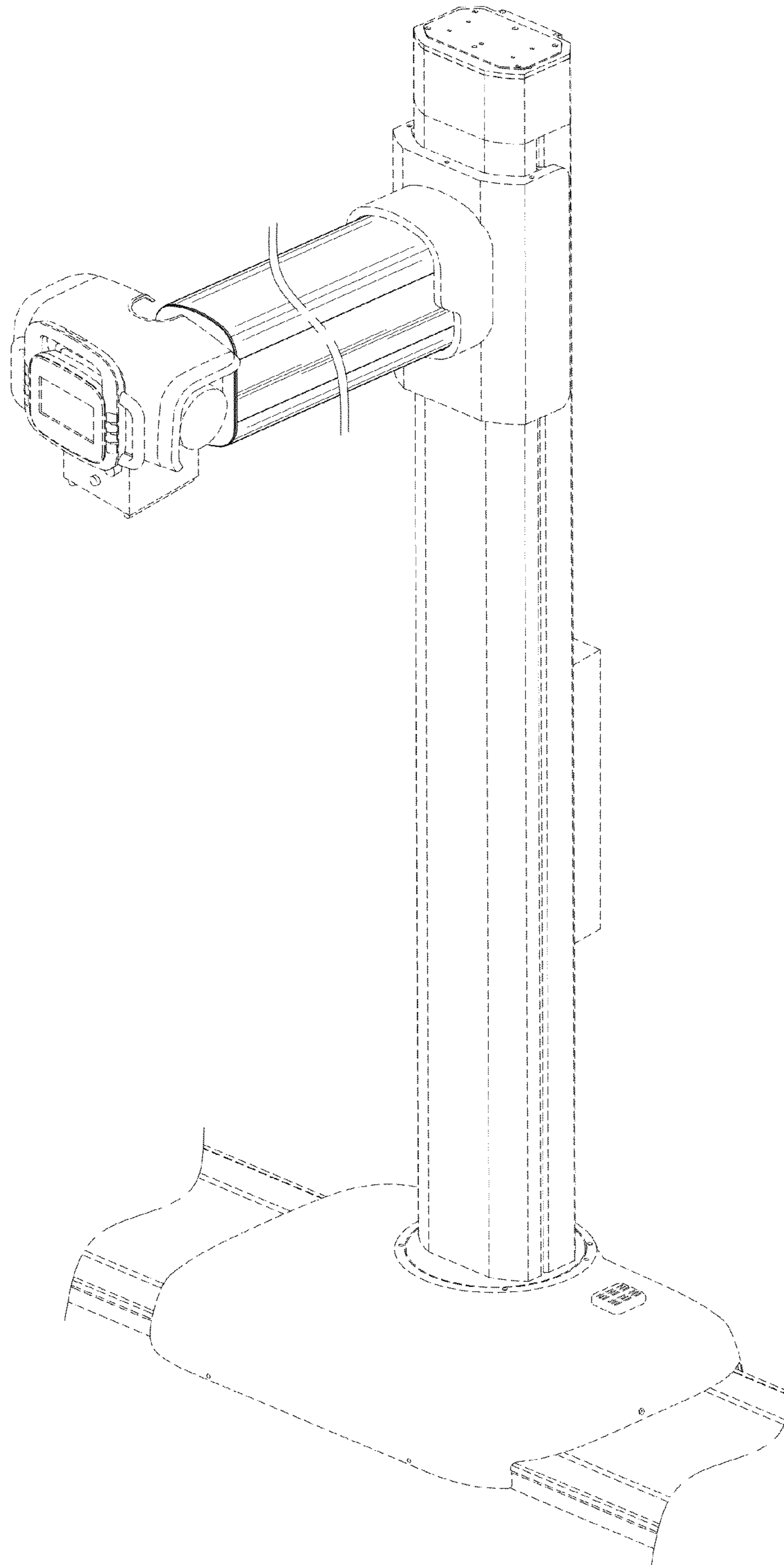


FIG.1

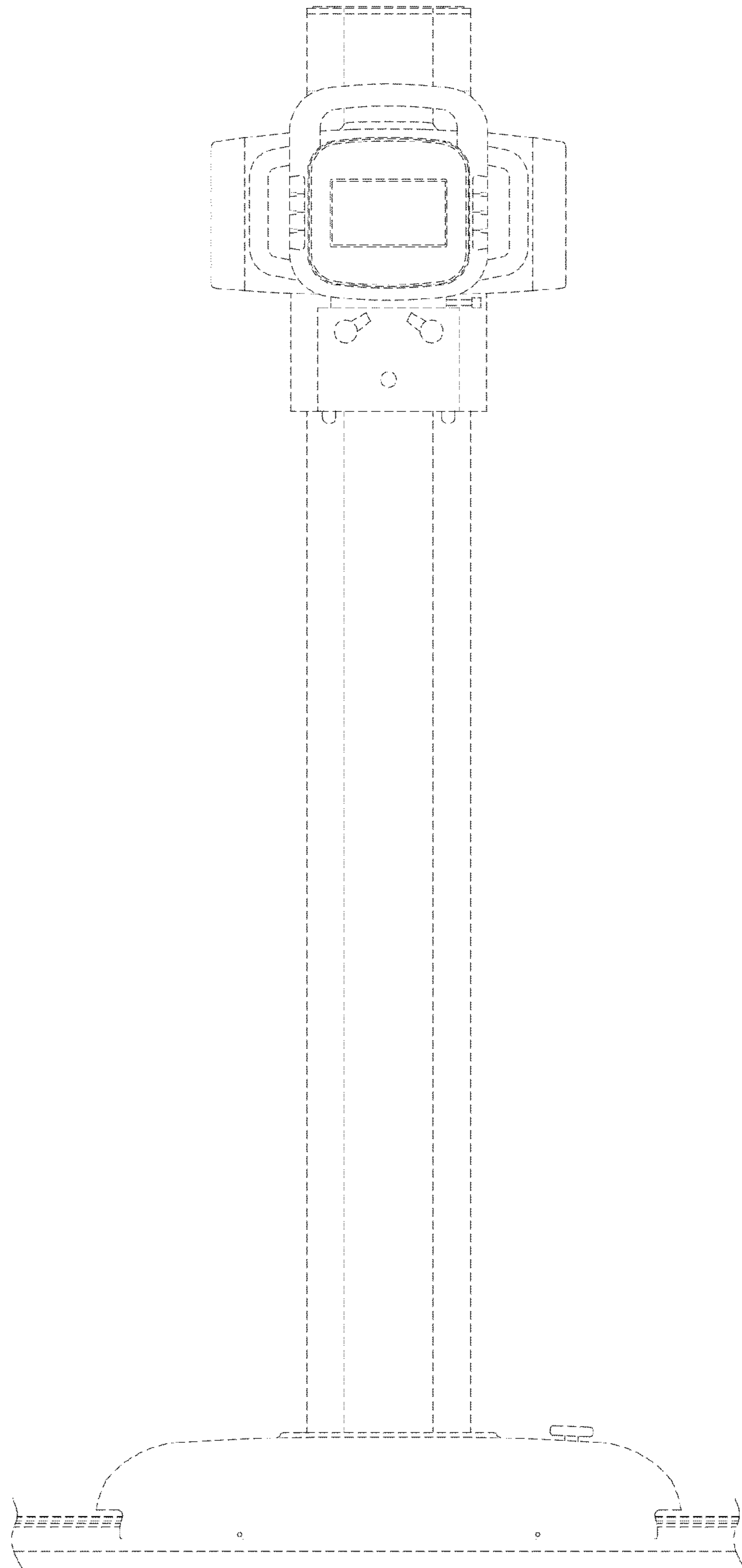


FIG.2

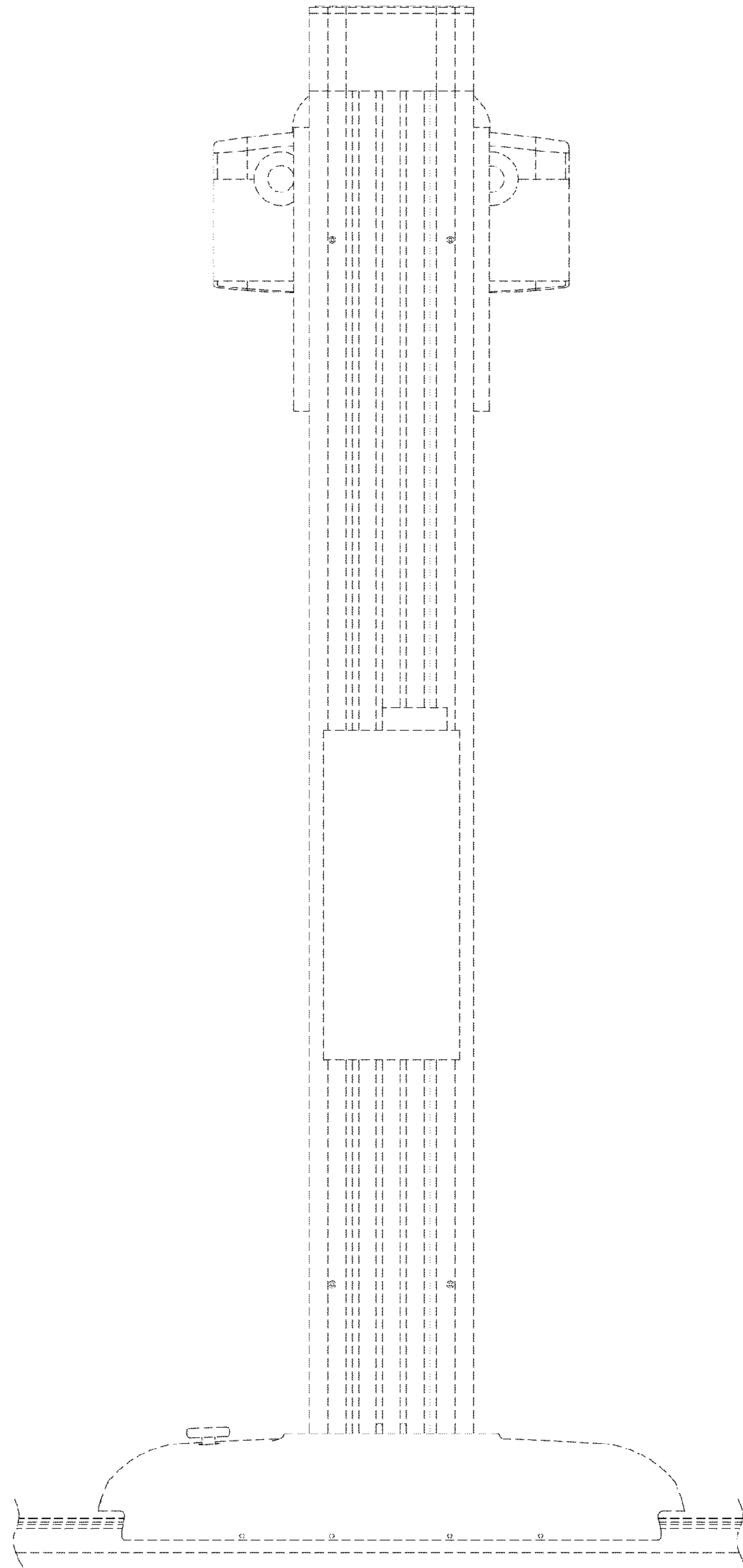


FIG.3

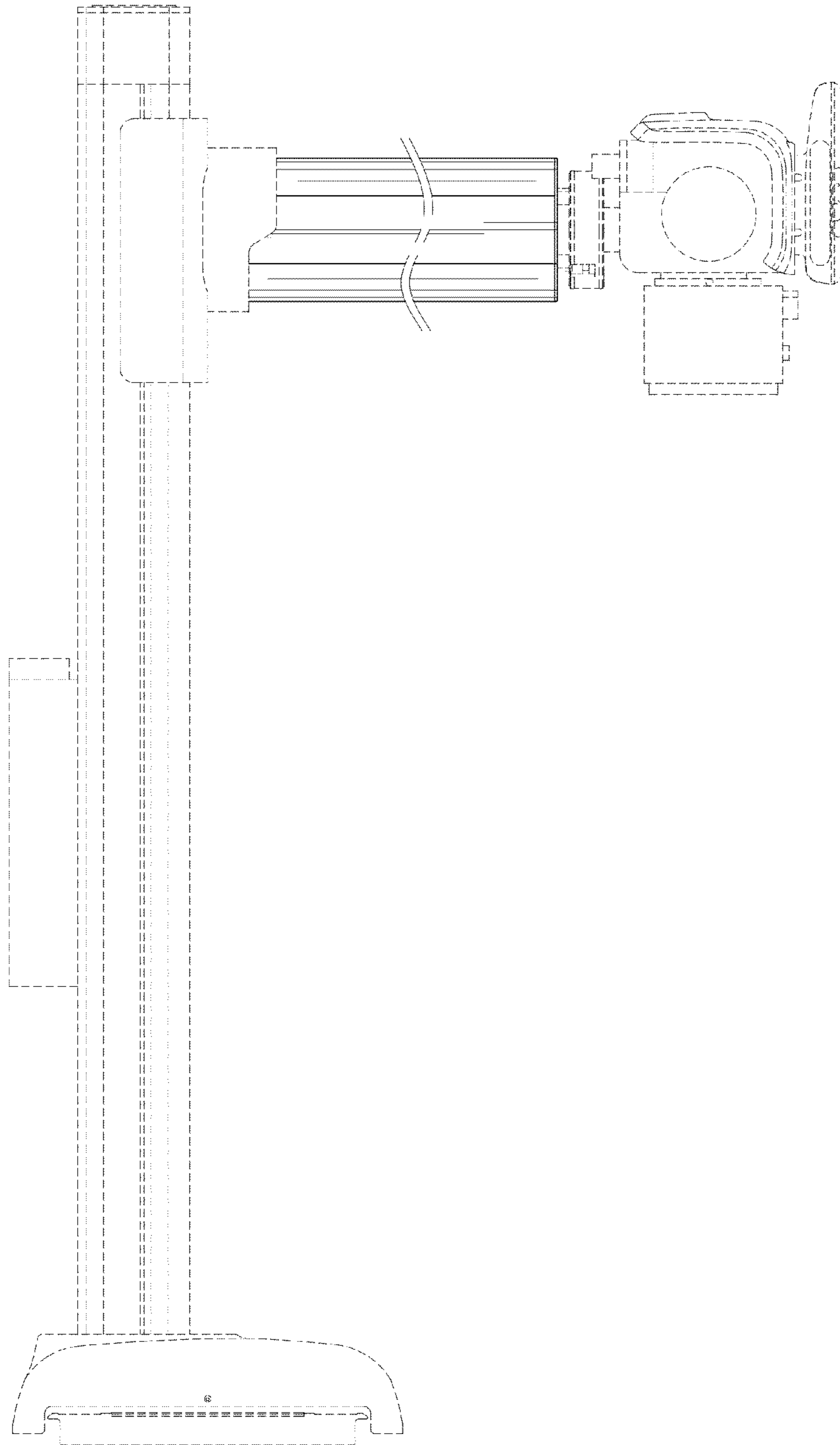


FIG.4

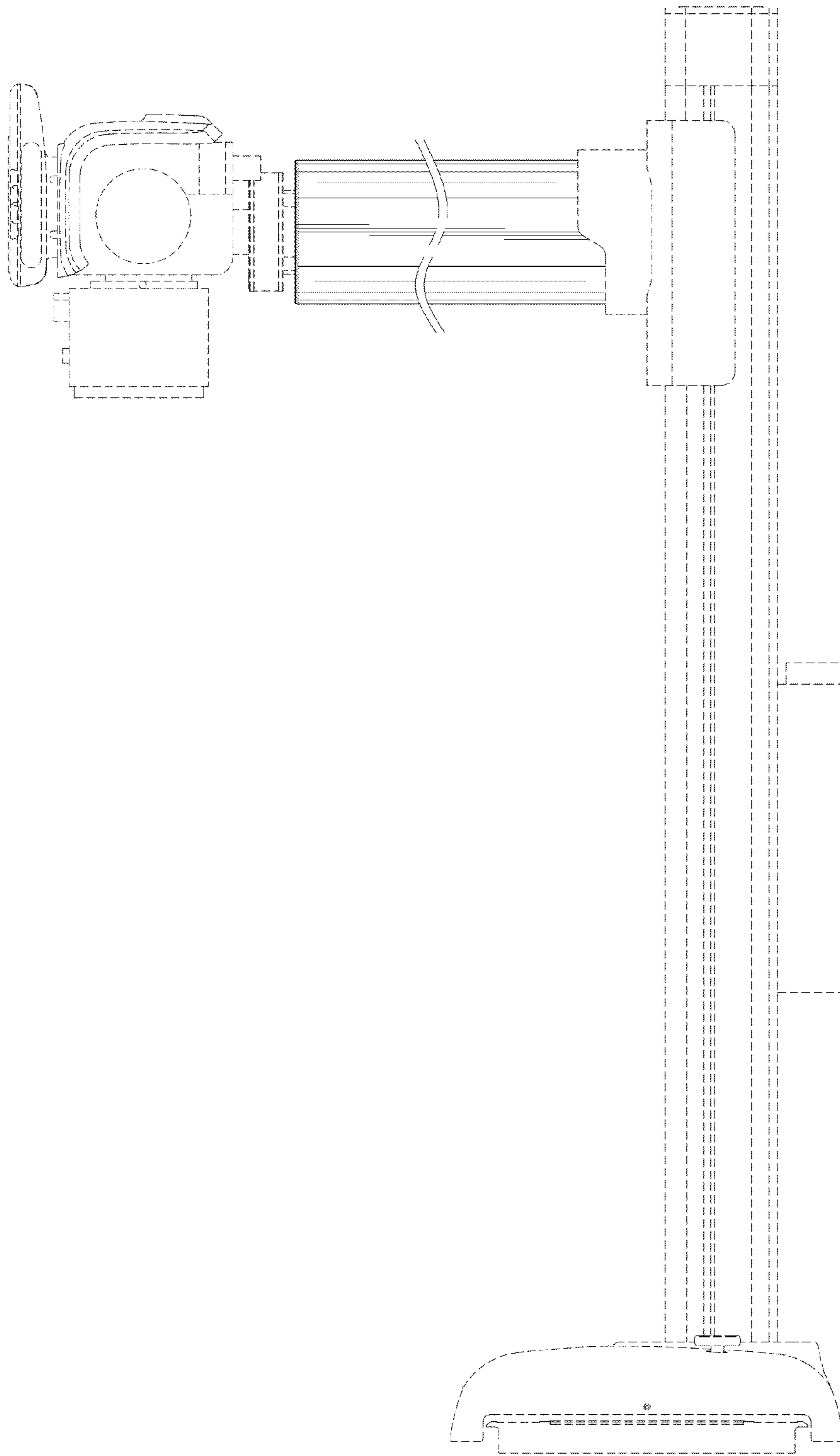


FIG.5

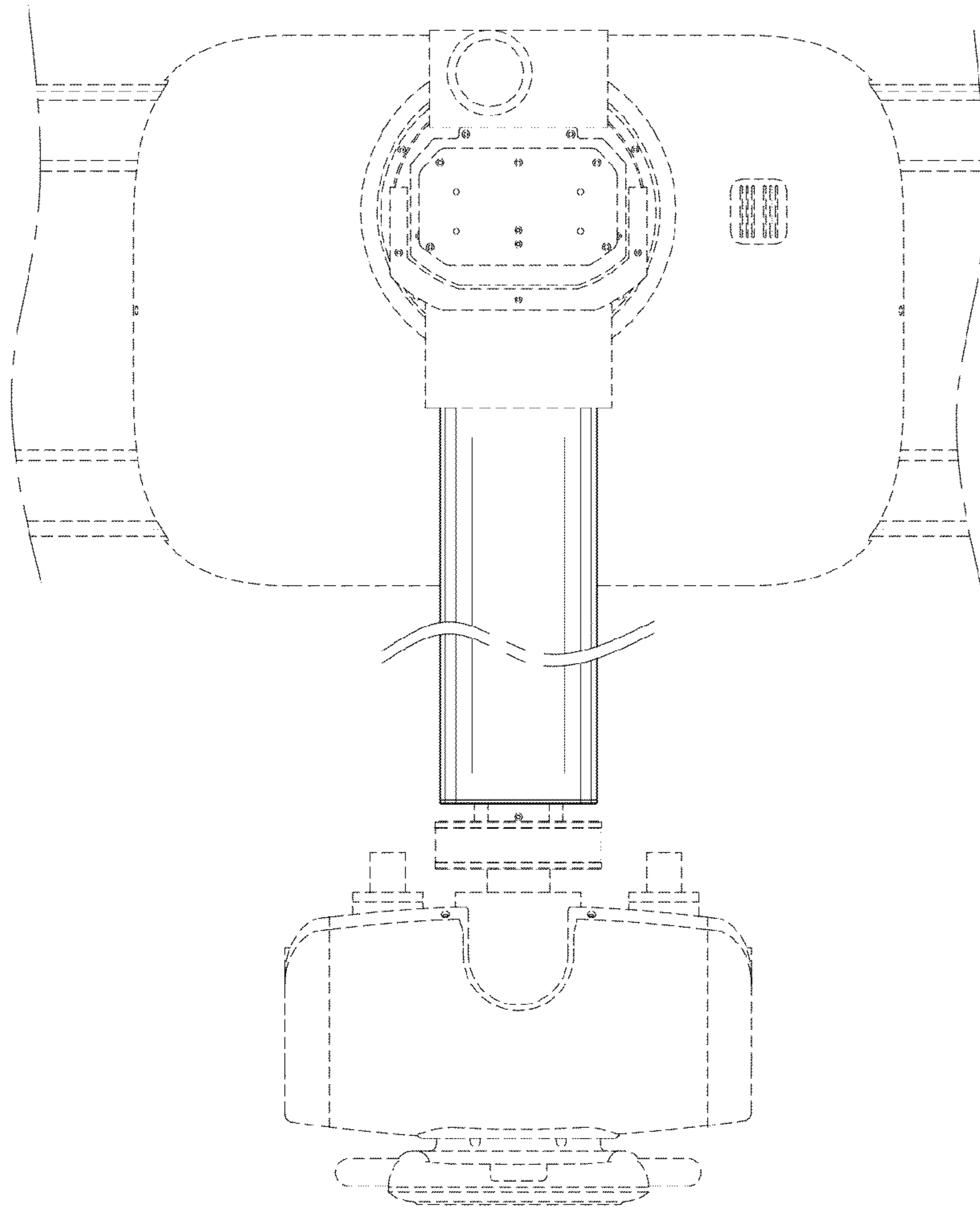


FIG.6

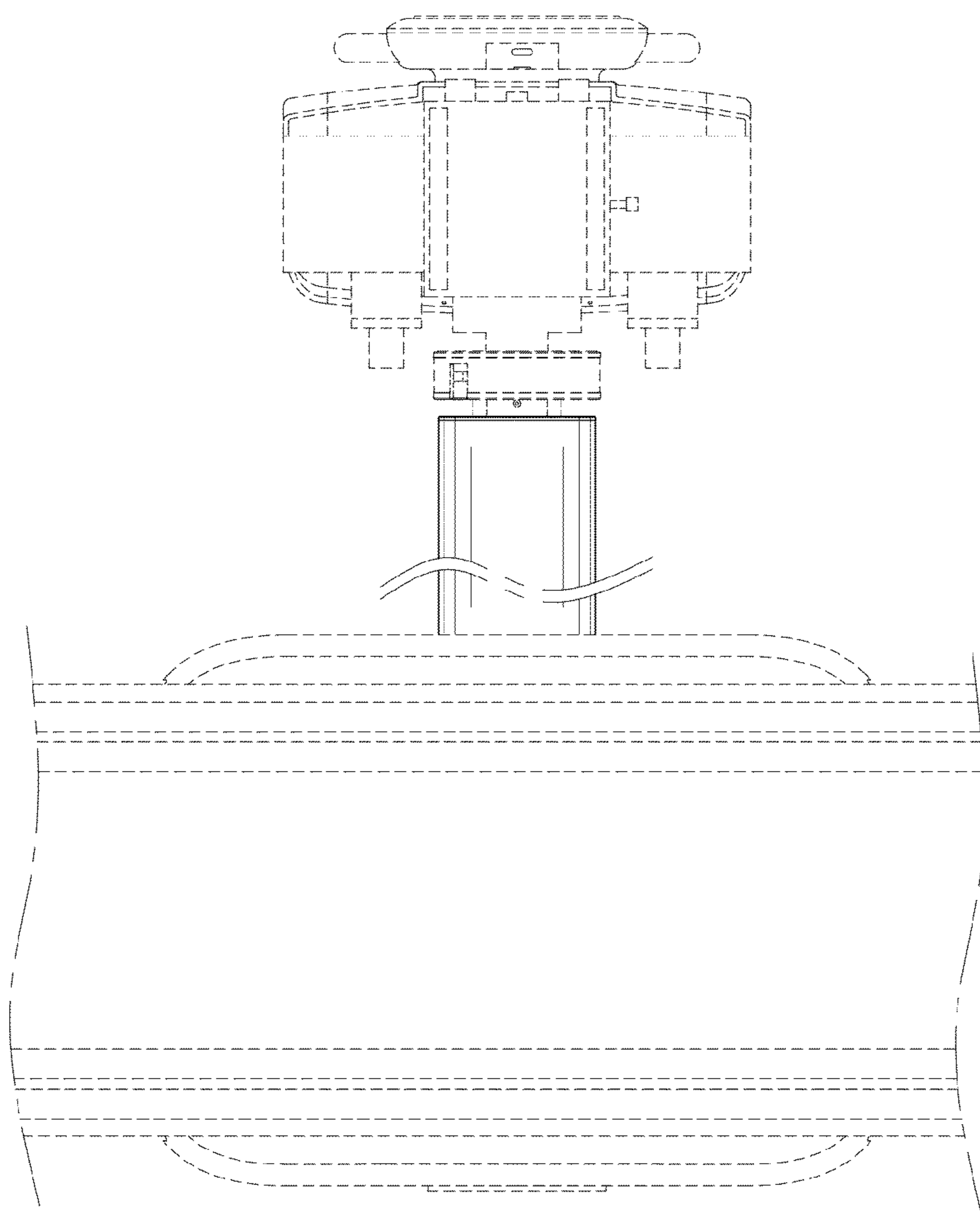


FIG.7