



US00D715440S

(12) **United States Design Patent**
Kim

(10) **Patent No.:** **US D715,440 S**
(45) **Date of Patent:** **** Oct. 14, 2014**

(54) **CONTROL ARM FOR A MEDICAL
ULTRASOUND DEVICE**

(56) **References Cited**

U.S. PATENT DOCUMENTS

(71) Applicant: **Samsung Electronics Co., Ltd.,**
Suwon-si (KR)

D246,534	S	*	11/1977	Buckley	D24/177
4,695,271	A	*	9/1987	Goethel	604/506
D395,085	S	*	6/1998	Kenley et al.	D24/169
D467,001	S	*	12/2002	Buczek et al.	D24/172
D492,034	S	*	6/2004	Cruz et al.	D24/169
D648,855	S	*	11/2011	Smith et al.	D24/158
D650,482	S	*	12/2011	Kim et al.	D24/158
D662,208	S	*	6/2012	Otoha et al.	D24/185
D665,502	S	*	8/2012	Frenkler et al.	D24/177
D671,217	S	*	11/2012	Moon et al.	D24/158
D696,783	S	*	12/2013	Chung et al.	D24/185
2011/0152691	A1	*	6/2011	Ikeda et al.	600/459

(72) Inventor: **Yun-Su Kim**, Seoul (KR)

(73) Assignee: **Samsung Electronics Co., Ltd.** (KR)

(**) Term: **14 Years**

(21) Appl. No.: **29/437,914**

(22) Filed: **Nov. 21, 2012**

* cited by examiner

Related U.S. Application Data

(63) Continuation of application No. 29/426,898, filed on
Jul. 11, 2012, now Pat. No. Des. 707,359.

Primary Examiner — Ian Simmons

Assistant Examiner — Rhea Shields

(74) *Attorney, Agent, or Firm* — Cantor Colburn LLP

(30) **Foreign Application Priority Data**

Jan. 20, 2012 (KR) 30-2012-0003158

(51) **LOC (10) Cl.** **24-00**

(52) **U.S. Cl.**
USPC **D24/158; D24/185**

(58) **Field of Classification Search**
USPC D24/177, 182, 183, 184, 185, 186, 144,
D24/160, 167-169, 172, 200, 158, 164, 199,
D24/226, 230, 231; D34/12, 14; 312/22,
312/109, 209, 223.1, 286, 249.8, 249.12;
248/282.1, 274.1, 281.11, 283.1,
248/288.11, 288.51, 292.12, 292.14, 583,
248/592, 595, 602, 323, 694; 600/437, 443,
600/459; D14/316, 377, 393, 394, 447,
D14/224, 480.6, 229

See application file for complete search history.

(57) **CLAIM**

The ornamental design for a control arm for a medical ultra-
sound device, as shown and described.

DESCRIPTION

FIG. 1 is a perspective view of a control arm for a medical
ultrasound device showing my new design;
FIG. 2 is a front view thereof;
FIG. 3 is a rear view thereof;
FIG. 4 is a left side view thereof;
FIG. 5 is a right side view thereof;
FIG. 6 is a top plan view thereof;
FIG. 7 is a bottom plan view thereof;
FIG. 8 is a right side view thereof, shown in an alternate open
position;
FIG. 9 is a right side view thereof, shown in a second alternate
open position;
FIG. 10 is a right side view thereof, shown in a third alternate
open position; and,
FIG. 11 is a right side view thereof, shown in a fourth alternate
open position.

1 Claim, 11 Drawing Sheets

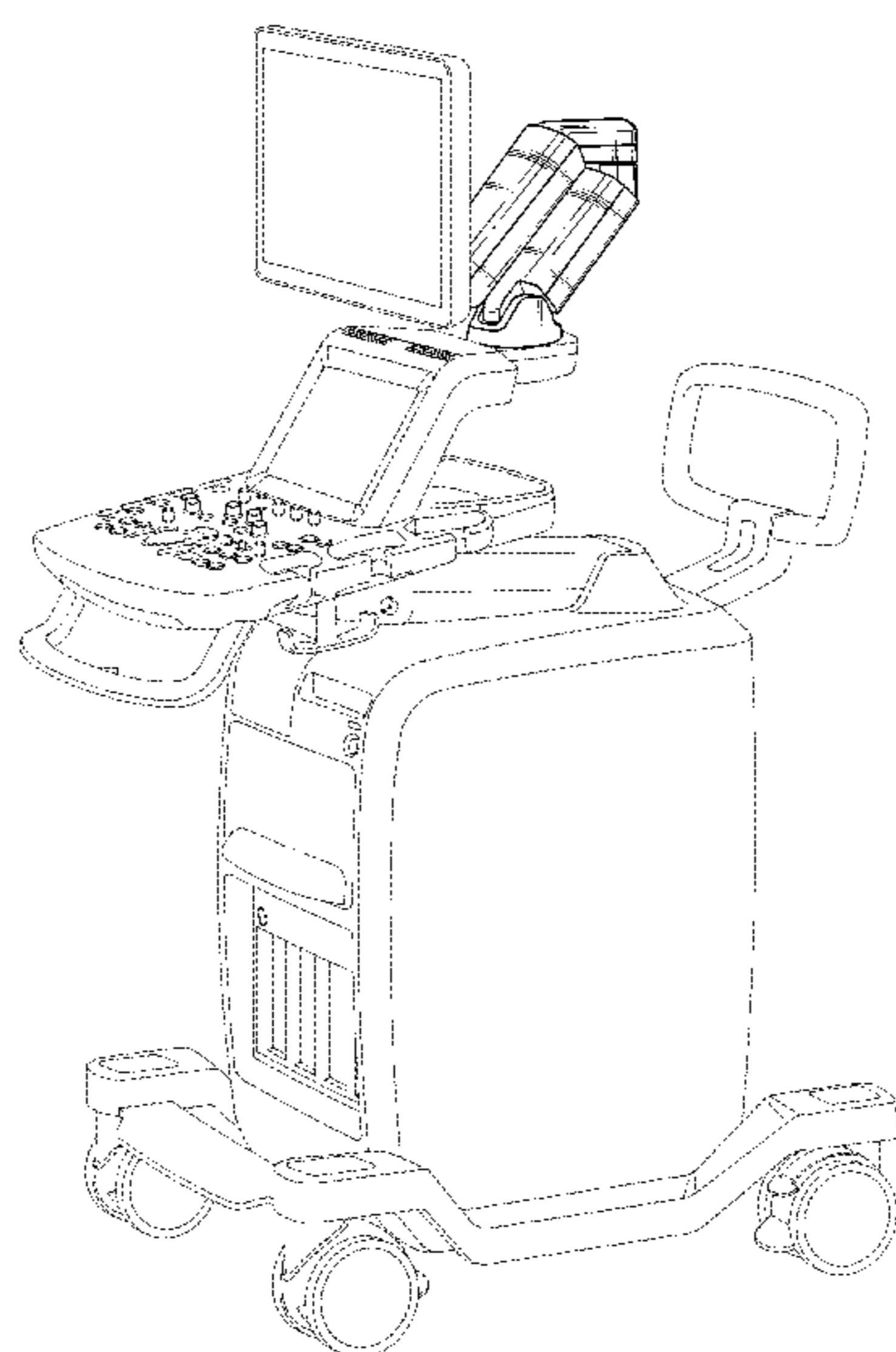


FIG. 1

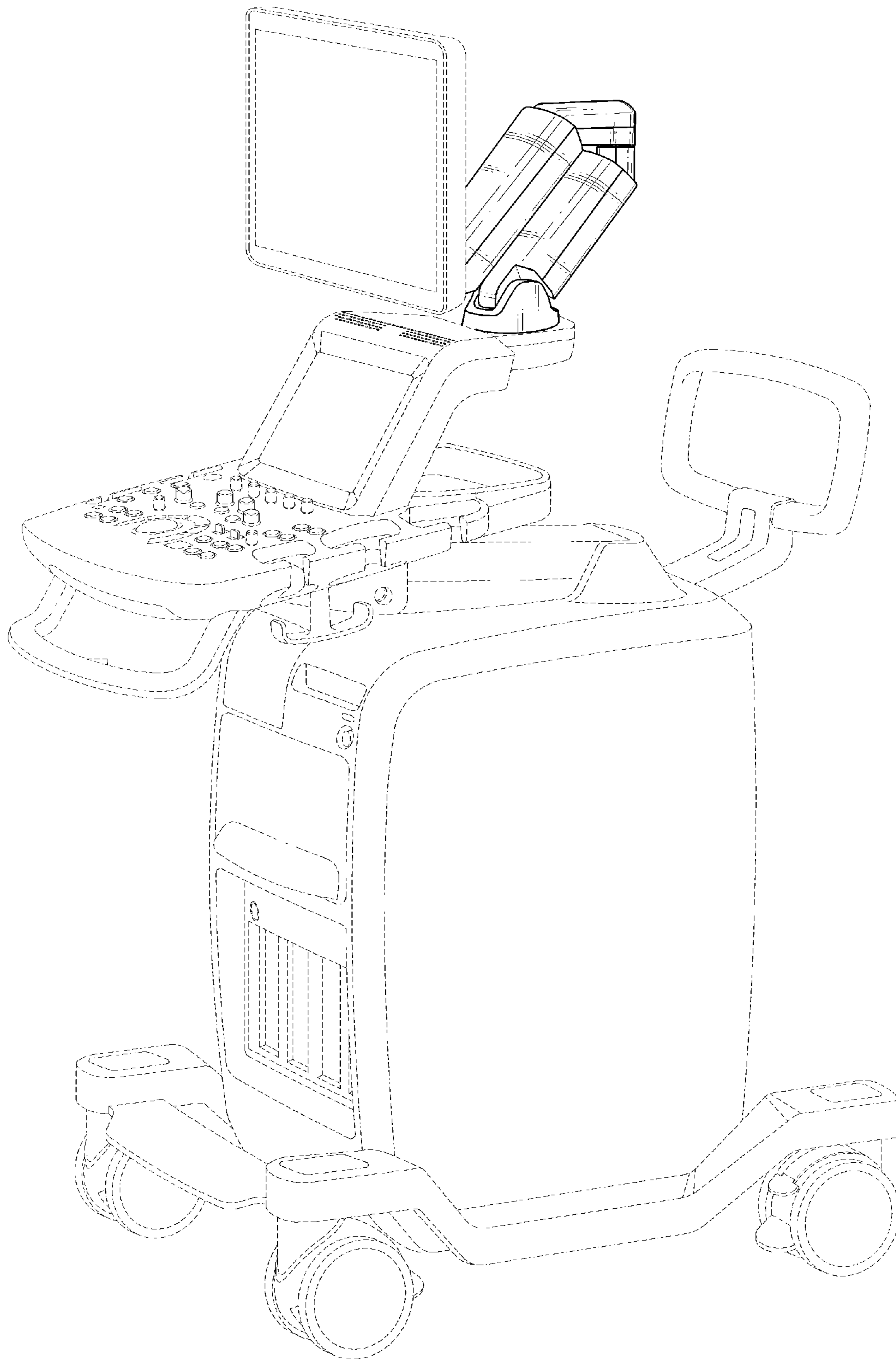


FIG. 2

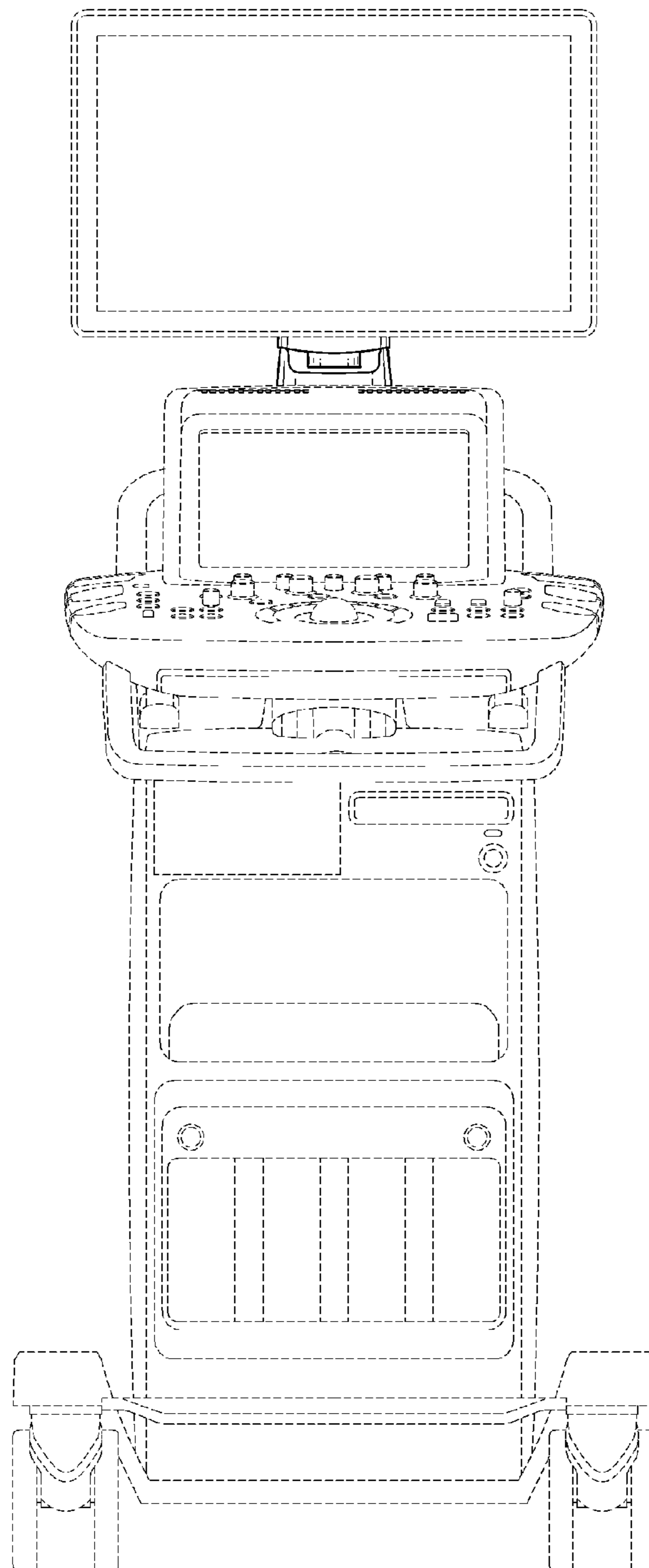


FIG. 3

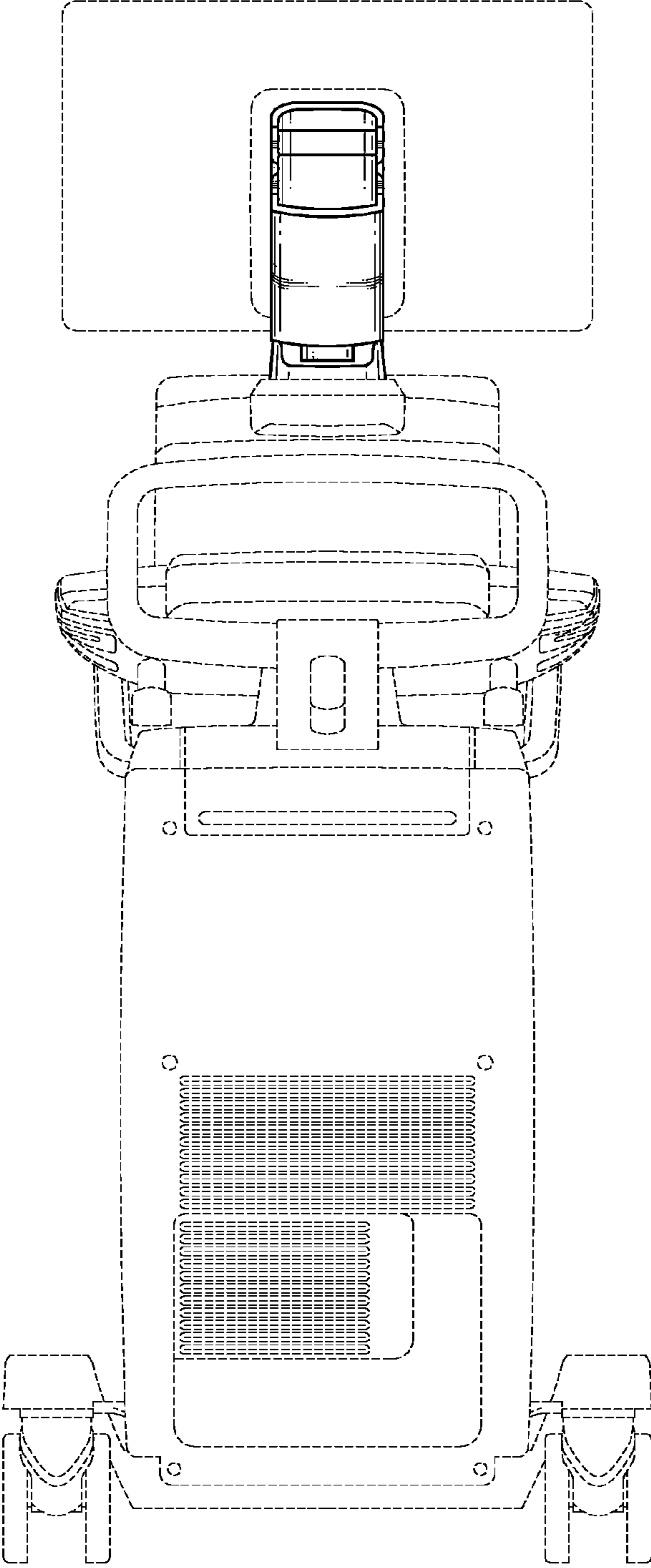


FIG. 4

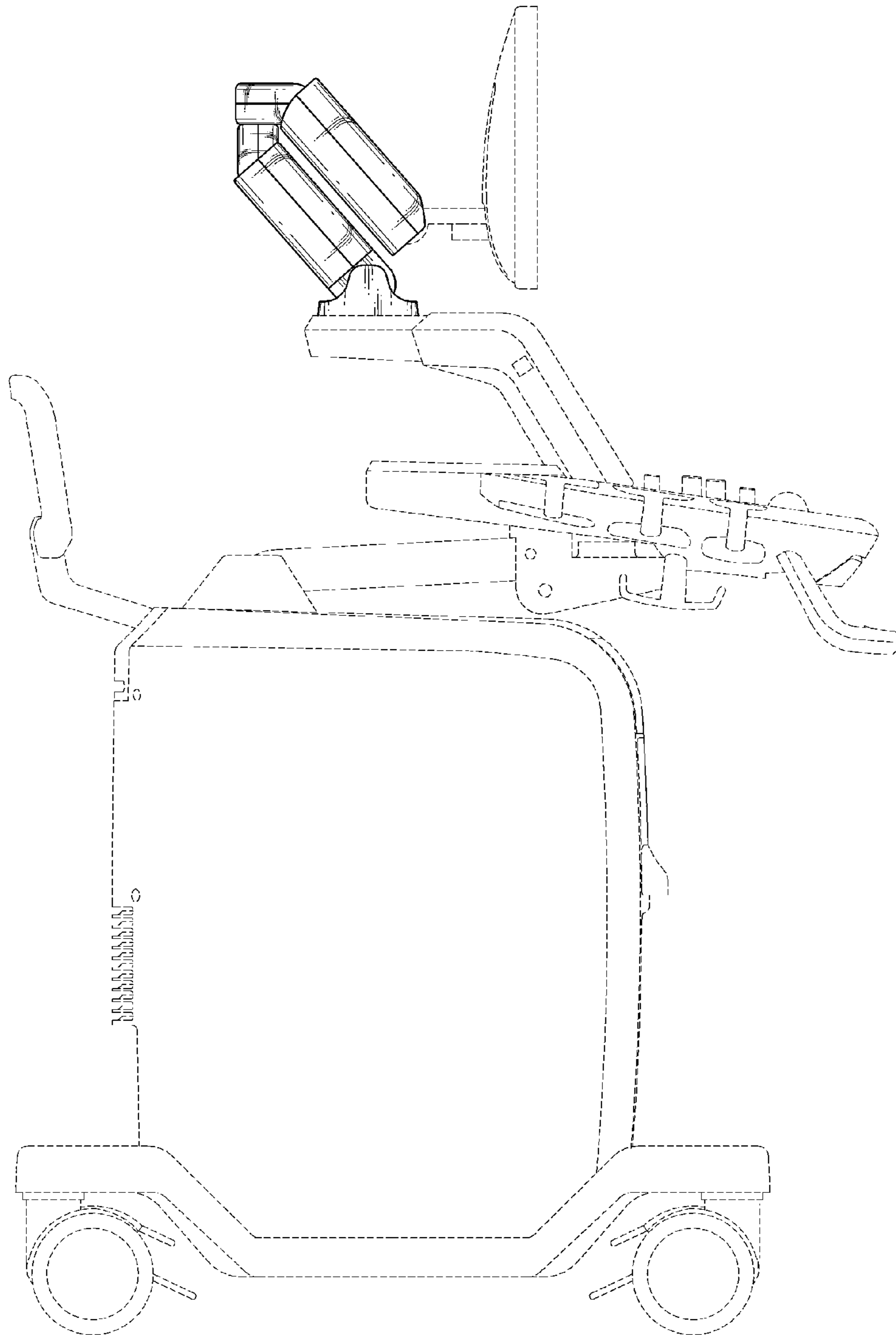


FIG. 5

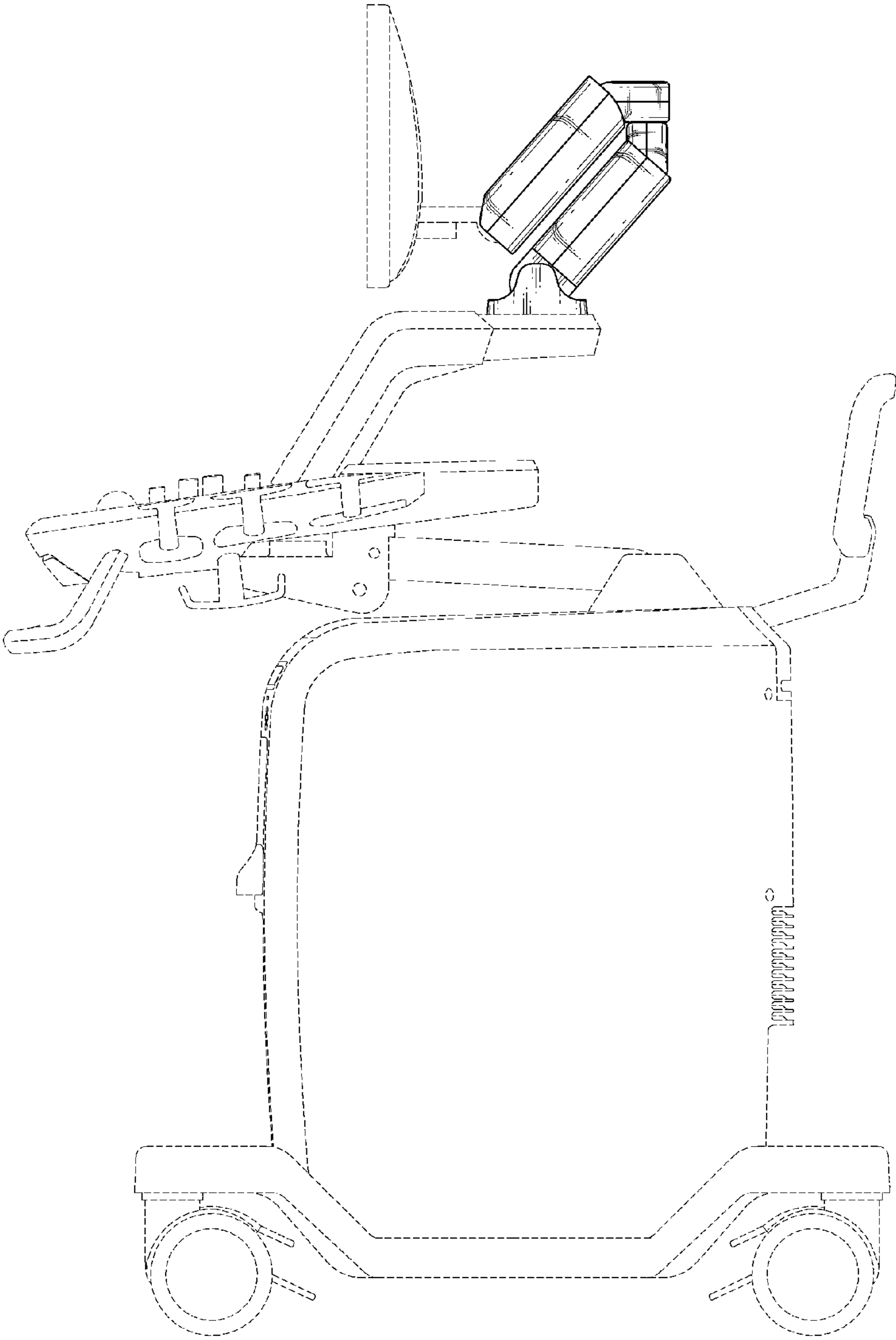


FIG. 6

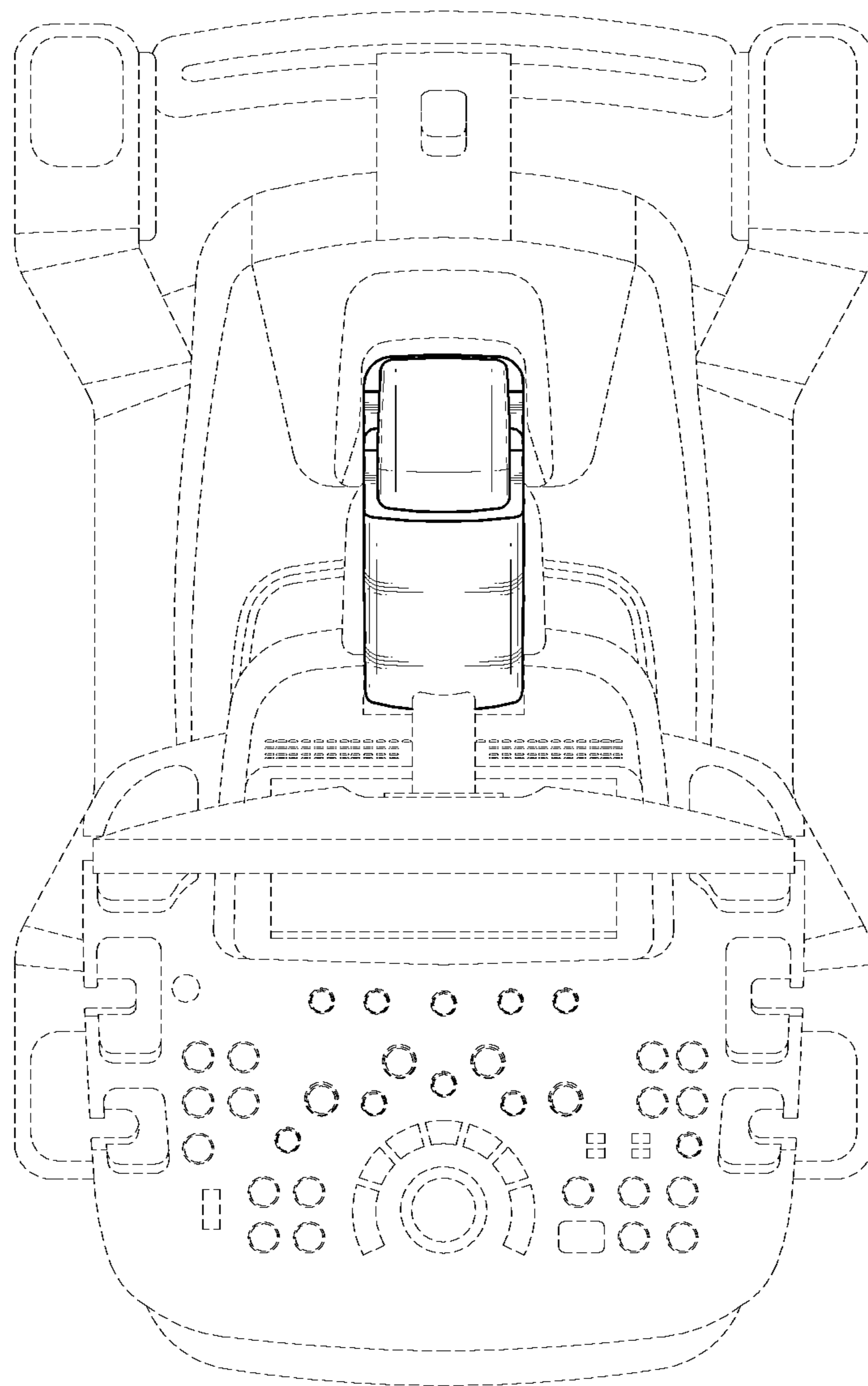


FIG. 7

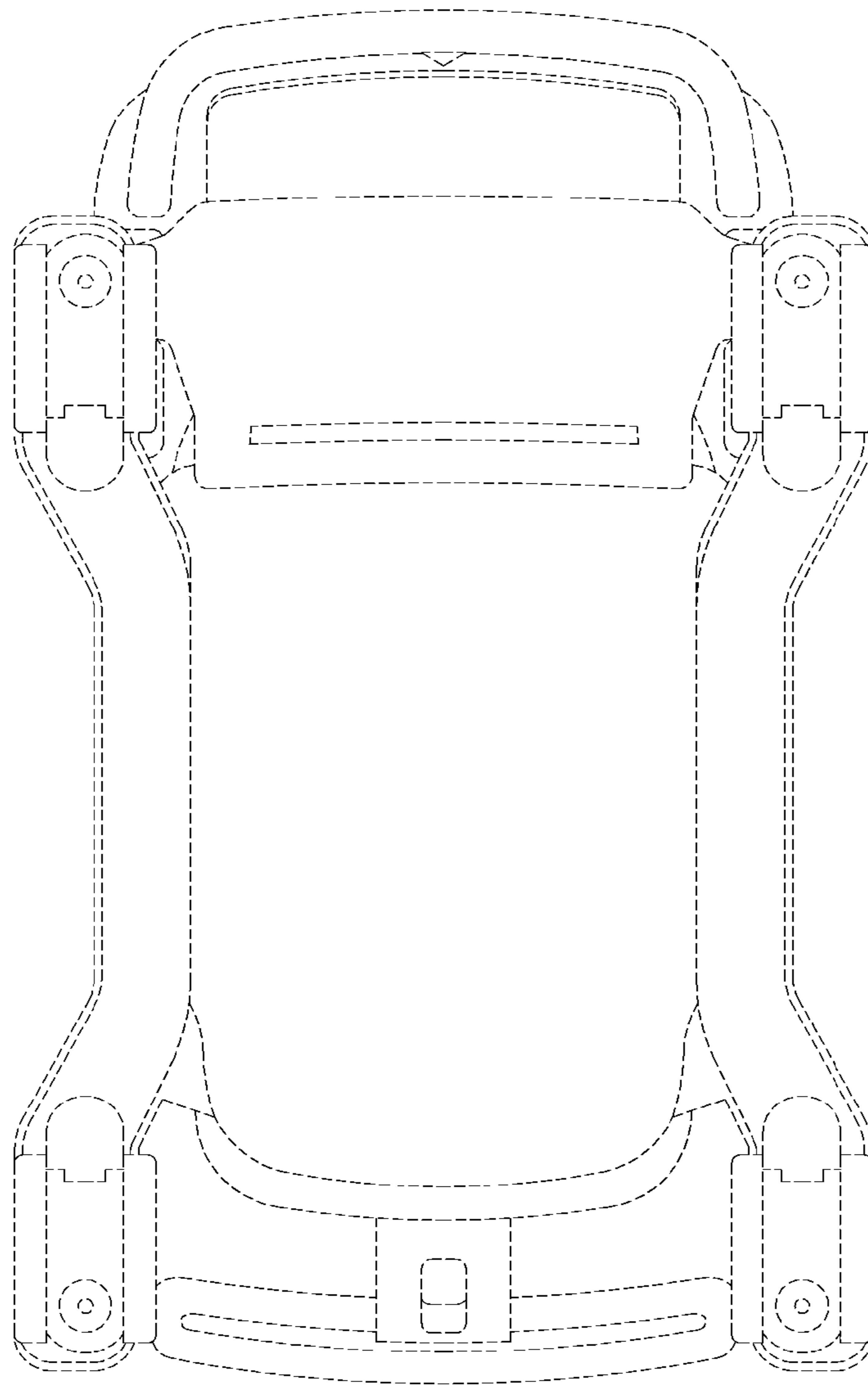


FIG. 8

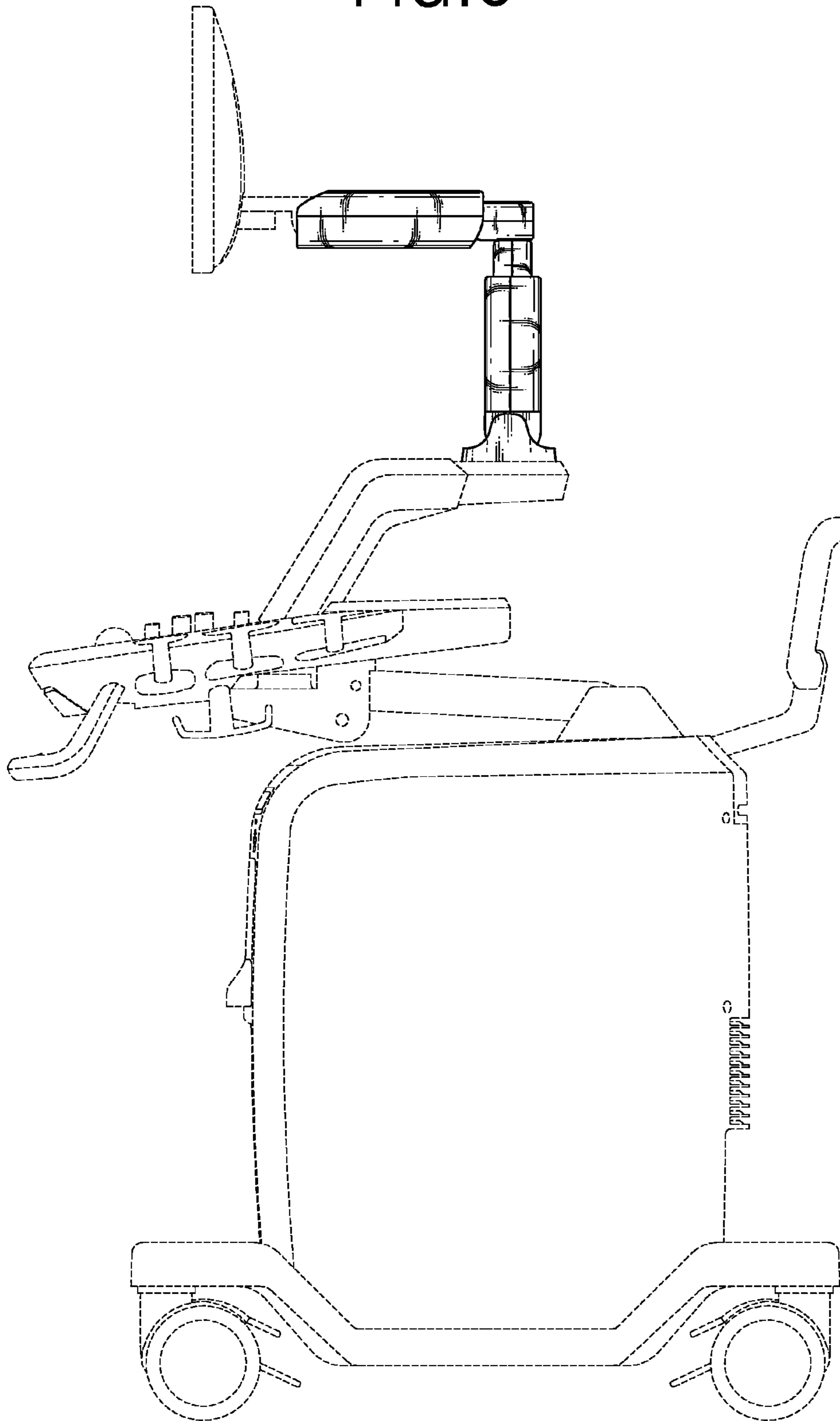


FIG. 9

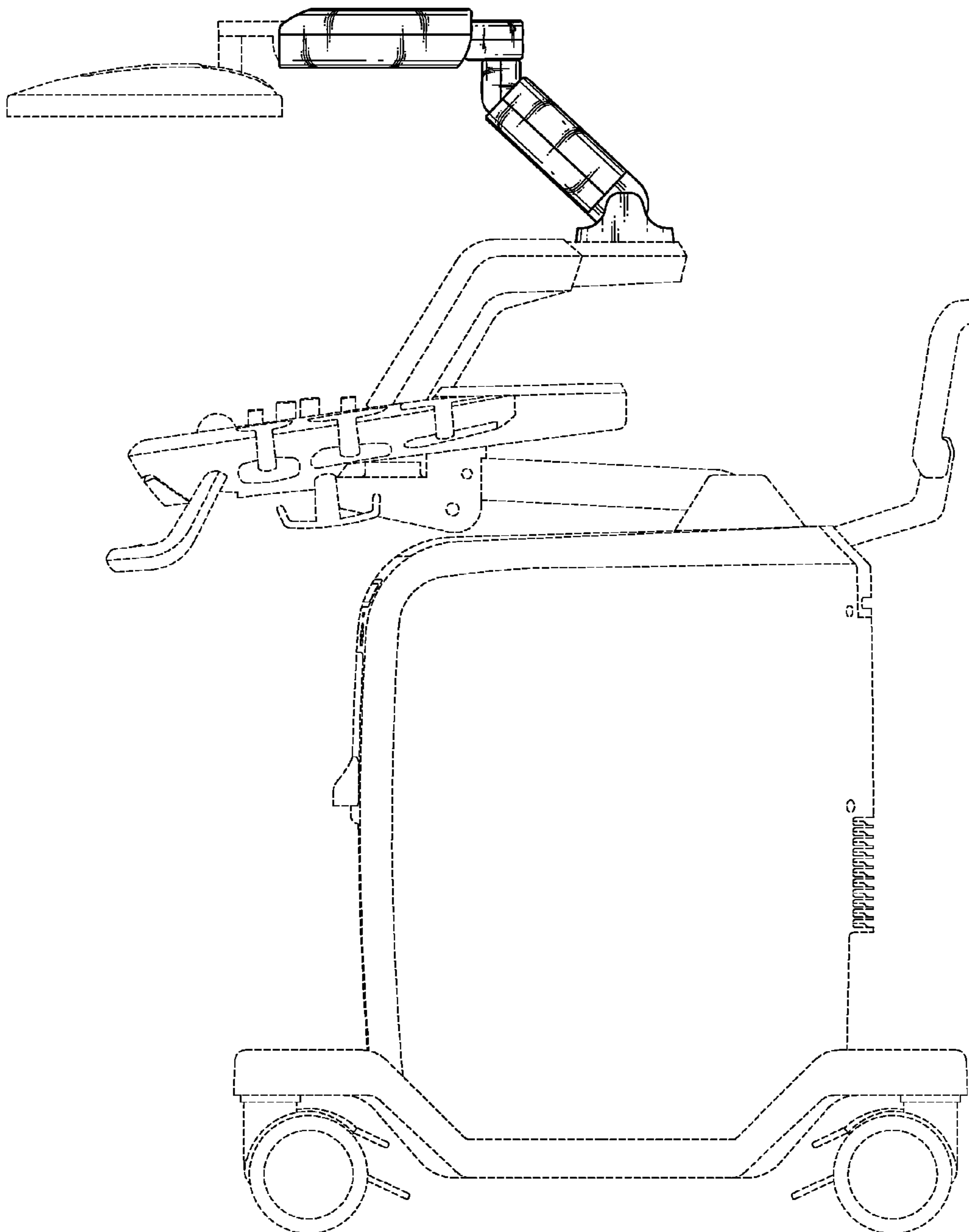


FIG. 10

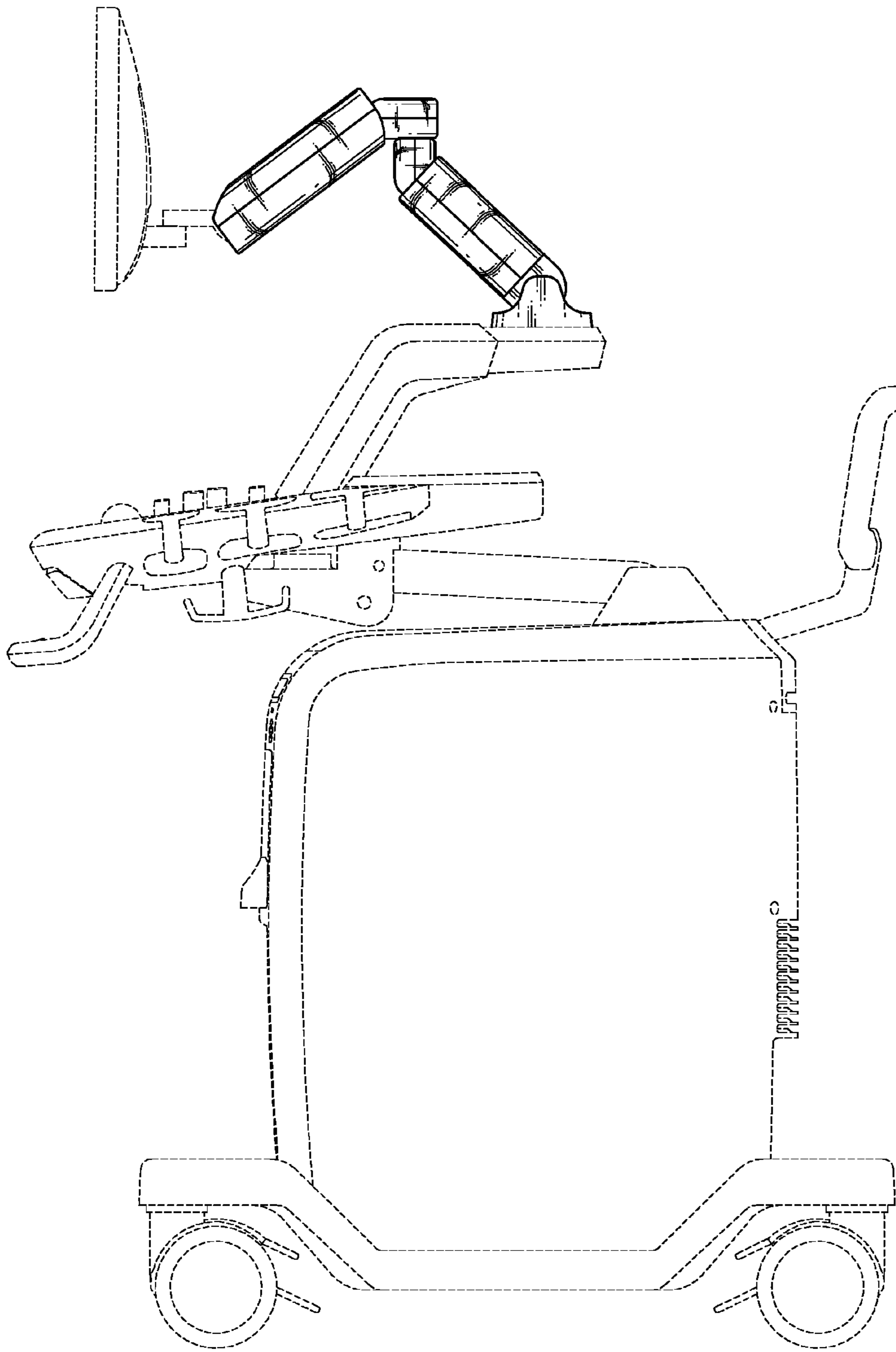


FIG. 11

