



US00D715435S

(12) **United States Design Patent**
Darian

(10) **Patent No.:** **US D715,435 S**
(45) **Date of Patent:** **** Oct. 14, 2014**

- (54) **ULTRASONIC OSTEOTOME** 6,379,371 B1 * 4/2002 Novak et al. 606/169
- 6,423,082 B1 7/2002 Houser et al.
- (71) Applicant: **Misonix, Incorporated**, Farmingdale, 6,443,969 B1 9/2002 Novak et al.
- NY (US) 7,217,270 B2 5/2007 Clement et al.
- D667,117 S 9/2012 Darian et al.
- (72) Inventor: **Alexander Darian**, Brightwaters, NY 8,343,178 B2 * 1/2013 Novak et al. 606/169
- (US) D680,218 S * 4/2013 Darian et al. D24/144
- 2003/0204199 A1 * 10/2003 Novak et al. 606/169
- 2005/0234484 A1 10/2005 Houser et al.
- (73) Assignee: **Misonix, Incorporated**, Farmingdale, 2005/0273127 A1 12/2005 Novak et al.
- NY (US) 2008/0188878 A1 * 8/2008 Young 606/169
- 2010/0057118 A1 3/2010 Dietz et al.
- 2010/0089405 A1 4/2010 Johnson et al.
- (**) Term: **14 Years** 2013/0090660 A1 * 4/2013 Darian 606/84

* cited by examiner

(21) Appl. No.: **29/468,790**

(22) Filed: **Oct. 3, 2013**

Primary Examiner — Wan Laymon

(74) *Attorney, Agent, or Firm* — R. Neil Sudol; Henry D. Coleman

Related U.S. Application Data

(62) Division of application No. 29/403,580, filed on Oct. 7, 2011, now Pat. No. Des. 700,327.

(51) **LOC (10) Cl.** **24-02**

(52) **U.S. Cl.**
USPC **D24/146**; D24/144

(58) **Field of Classification Search**
USPC D24/144, 146–147, 170; D8/20, 26, 98;
606/1, 39, 45, 53, 83–85, 86 R, 79, 167,
606/169–171

See application file for complete search history.

(56) **References Cited**

U.S. PATENT DOCUMENTS

- 5,261,922 A 11/1993 Hood
- 5,318,570 A 6/1994 Hood et al.
- 5,695,510 A * 12/1997 Hood 606/169
- 5,935,142 A 8/1999 Hood
- 6,254,622 B1 7/2001 Hood

(57) **CLAIM**

The ornamental design for the ultrasonic osteotome, as shown and described.

DESCRIPTION

FIG. 1 is a top, front, and left side perspective view of an ultrasonic osteotome tip in accordance with the present invention;

FIG. 2 is a left-side elevational view thereof, the right side elevation being a mirror image;

FIG. 3 is a top plan view thereof;

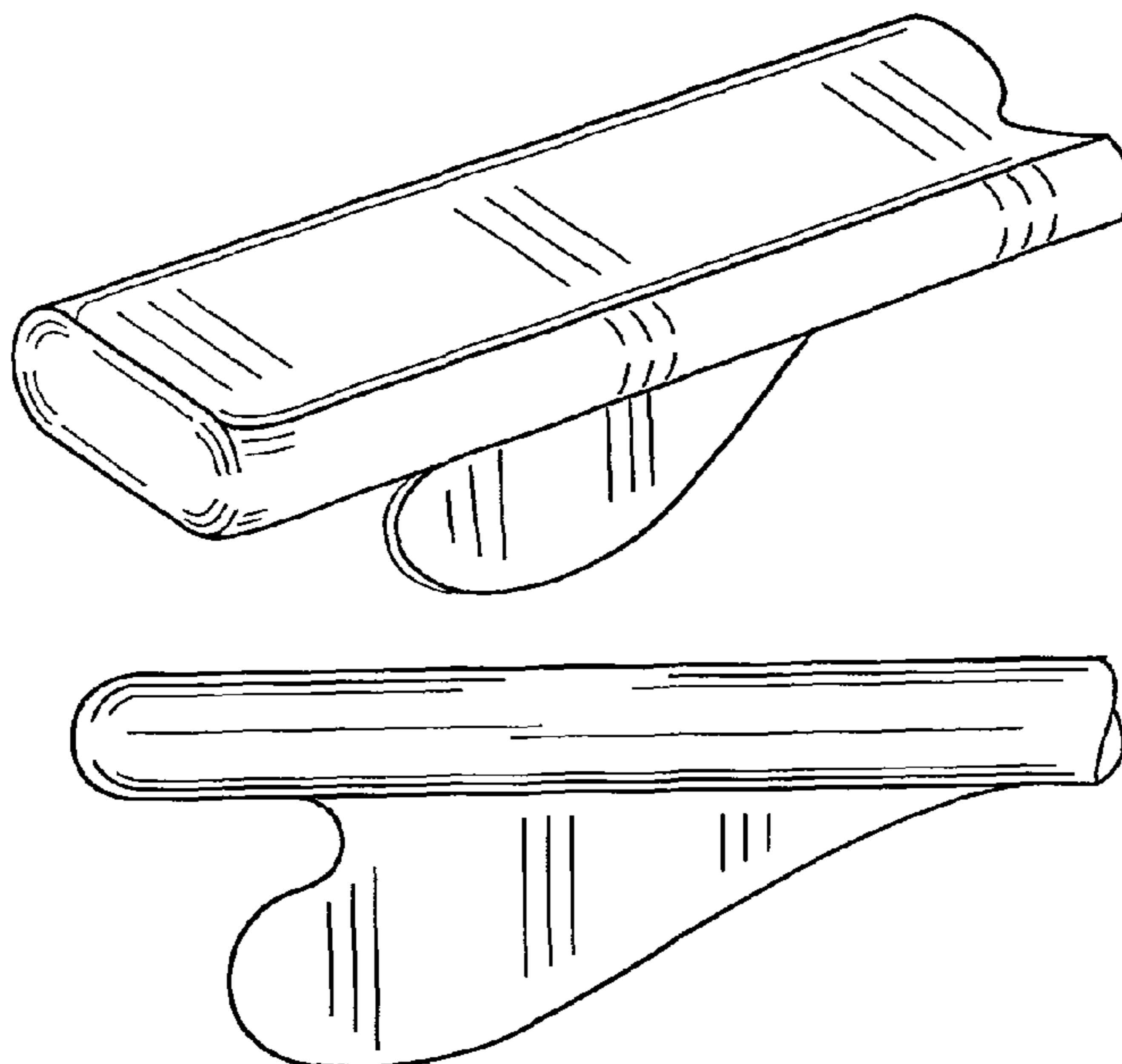
FIG. 4 is a bottom plan view thereof;

FIG. 5 is a front elevational view thereof; and,

FIG. 6 is a rear elevational view thereof.

The broken lines in FIG. 6 are included for the purpose of illustrating portions of the ultrasonic osteotome tip that form no part of the claimed design.

1 Claim, 1 Drawing Sheet



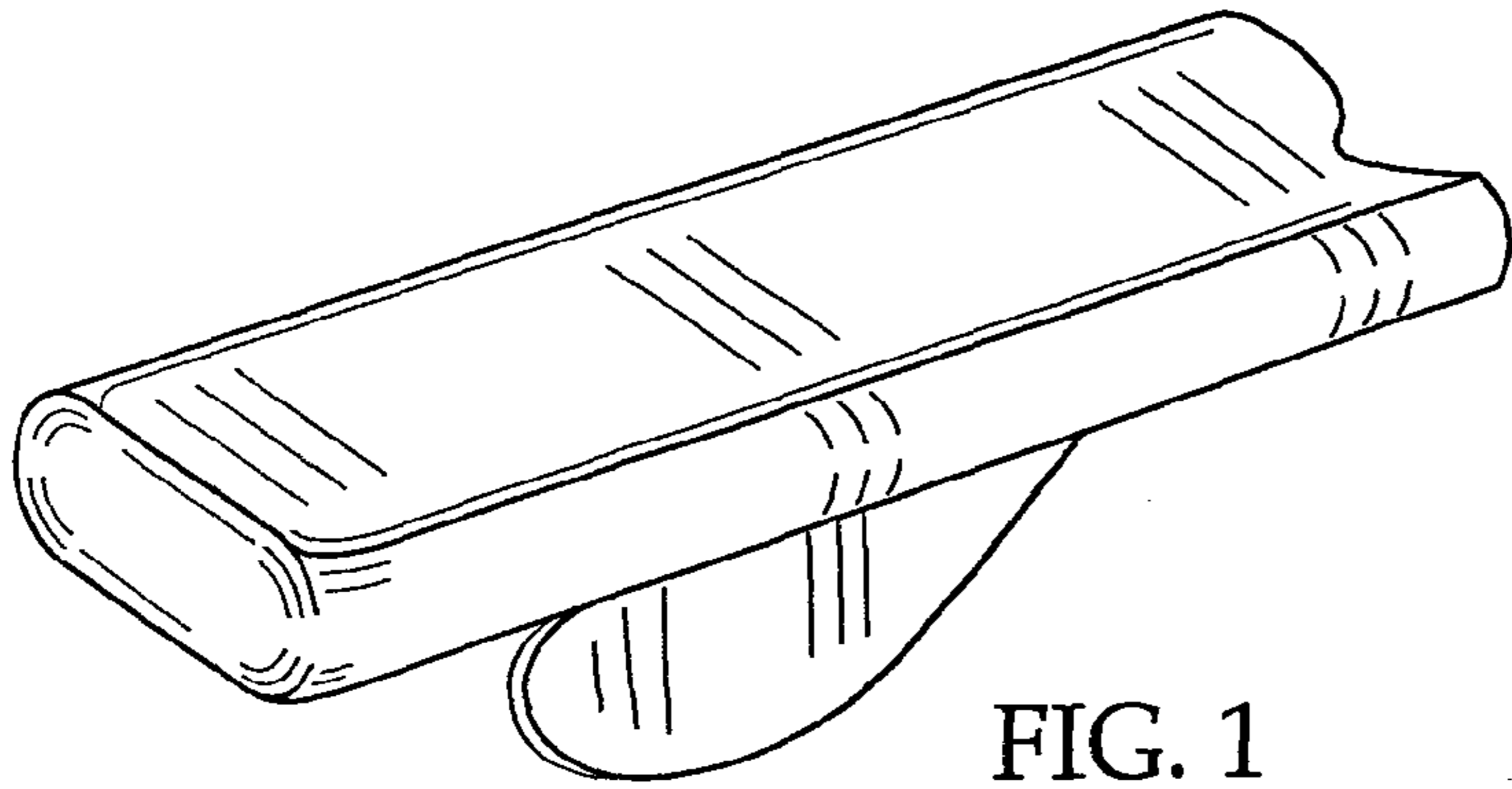


FIG. 1

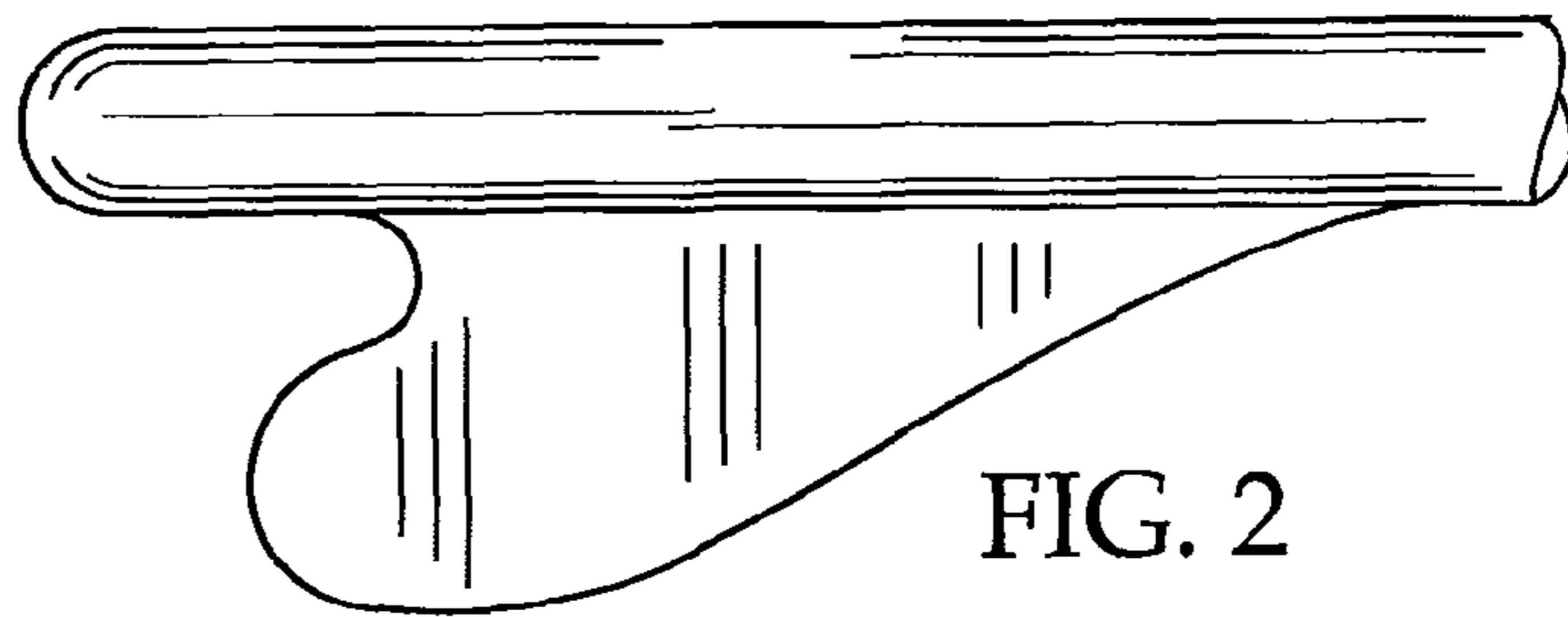


FIG. 2

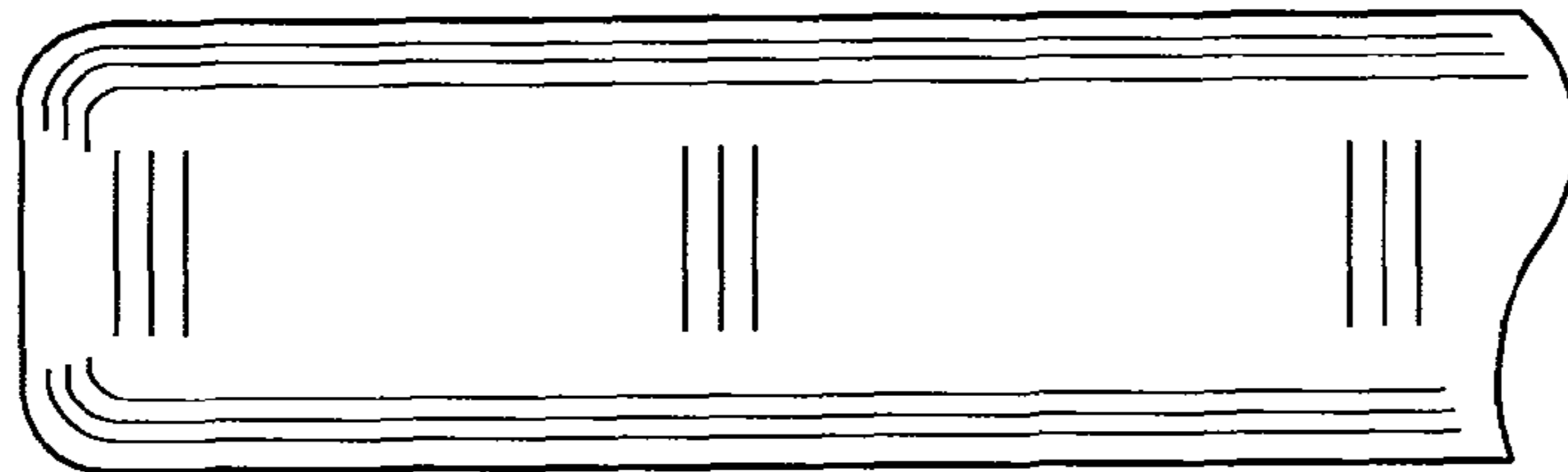


FIG. 3

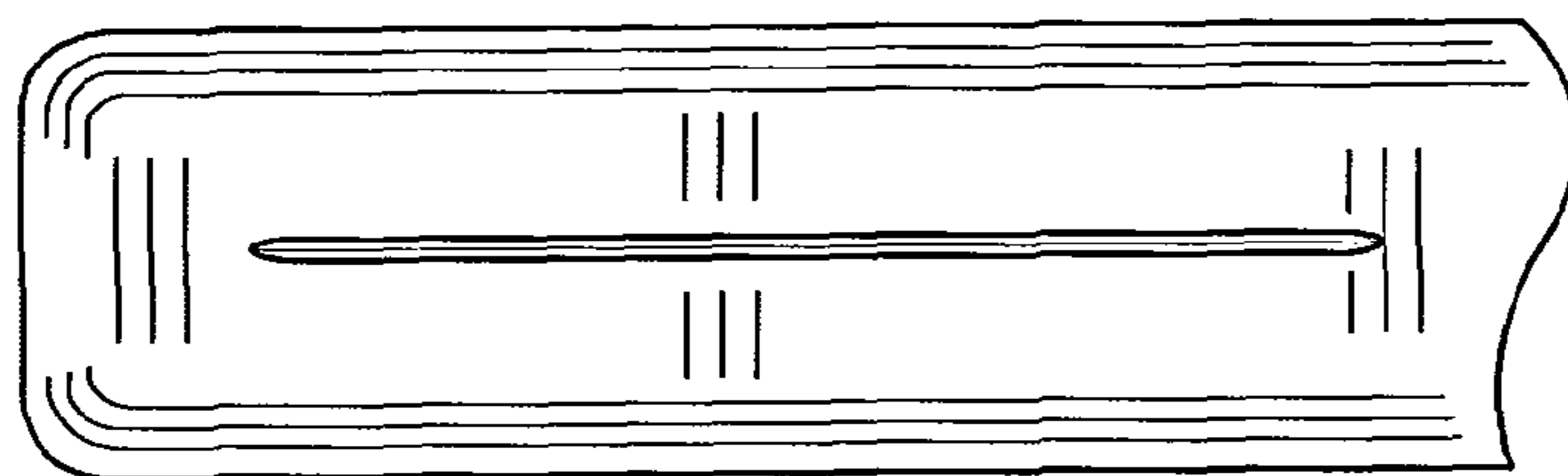


FIG. 4

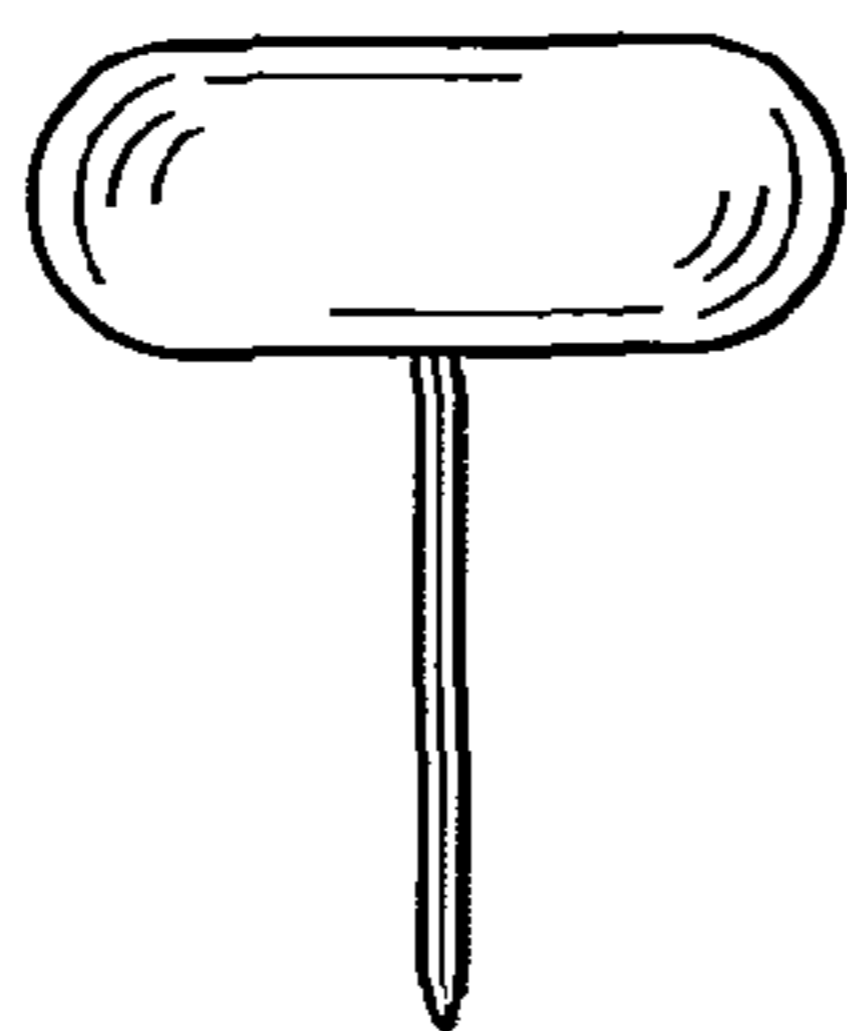


FIG. 5

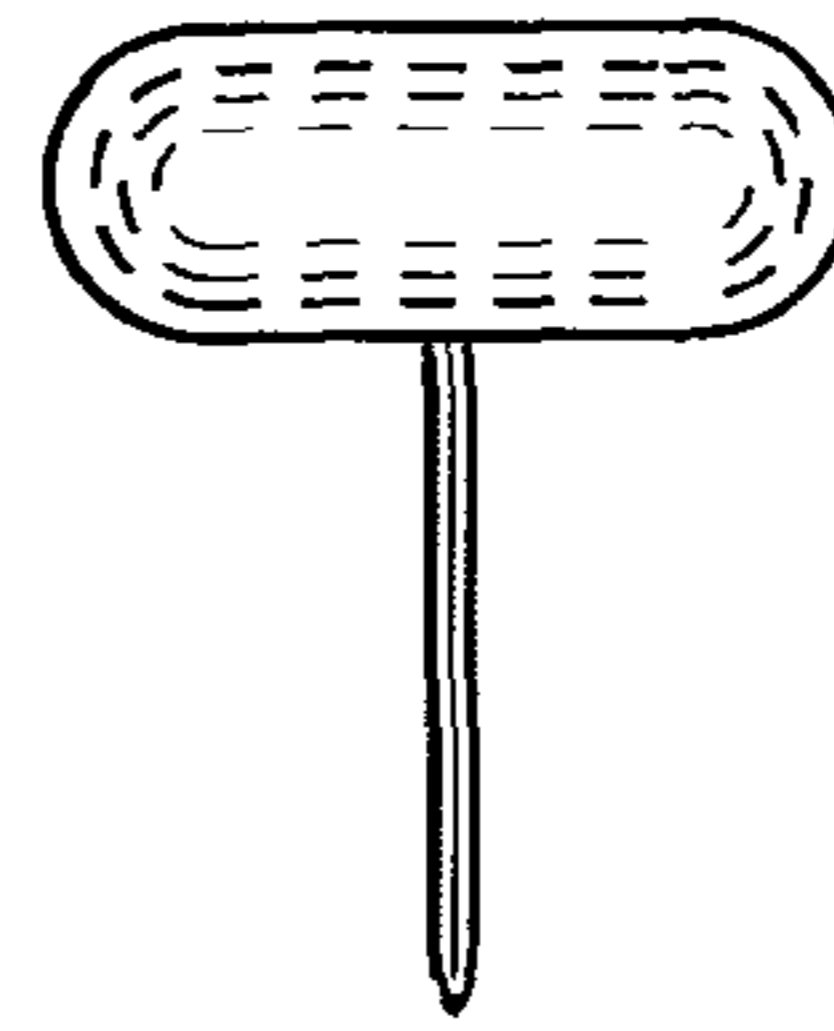


FIG. 6