



US00D715432S

(12) **United States Design Patent**
Berci et al.

(10) **Patent No.:** **US D715,432 S**

(45) **Date of Patent:** **** Oct. 14, 2014**

(54) **EXOSCOPE**

(71) Applicant: **KARL STORZ GmbH & Co. KG,**
Tuttlingen (DE)

(72) Inventors: **George Berci,** Los Angeles, CA (US);
Christoph Leidolt, Singen (DE)

(73) Assignee: **KARL STORZ GmbH & Co. KG,**
Tuttlingen (DE)

(**) Term: **14 Years**

(21) Appl. No.: **29/443,031**

(22) Filed: **Jan. 11, 2013**

Related U.S. Application Data

(63) Continuation-in-part of application No. 13/436,231,
filed on Mar. 30, 2012.

(51) **LOC (10) Cl.** **24-02**

(52) **U.S. Cl.**
USPC **D24/138**

(58) **Field of Classification Search**
USPC D24/138, 137, 133; 600/101-183
See application file for complete search history.

(56) **References Cited**

U.S. PATENT DOCUMENTS

3,368,552 A * 2/1968 Bottcher 600/107
4,974,580 A * 12/1990 Anapliotis 600/122

5,383,876 A * 1/1995 Nardella 606/49
D367,324 S * 2/1996 McCarthy et al. D24/112
D631,545 S * 1/2011 Halder et al. D24/137
D665,906 S * 8/2012 Leidolt D24/138
D667,113 S * 9/2012 Leidolt D24/138
D667,545 S * 9/2012 Czupalla D24/137
D667,546 S * 9/2012 Becker D24/138
2012/0265023 A1 * 10/2012 Berci et al. 600/249

* cited by examiner

Primary Examiner — Bridget L Eland

(74) *Attorney, Agent, or Firm* — Muncy, Geissler, Olds &
Lowe, P.C.

(57) **CLAIM**

The ornamental design for an exoscope, as shown and
described.

DESCRIPTION

FIG. 1 is a left side perspective view of an exoscope according
to the invention.

FIG. 2 is a right side perspective view of the exoscope of FIG.
1.

FIG. 3 is a front perspective view of the exoscope of FIG. 1.

FIG. 4 is a rear perspective view of the exoscope of FIG. 1.

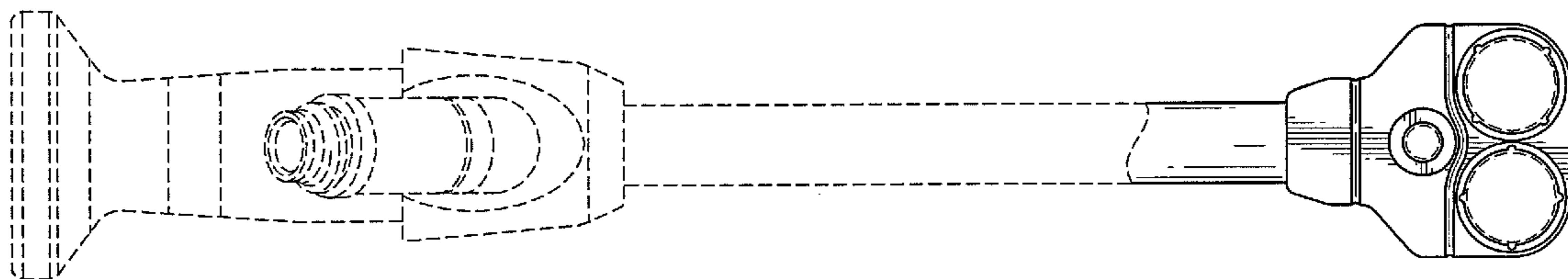
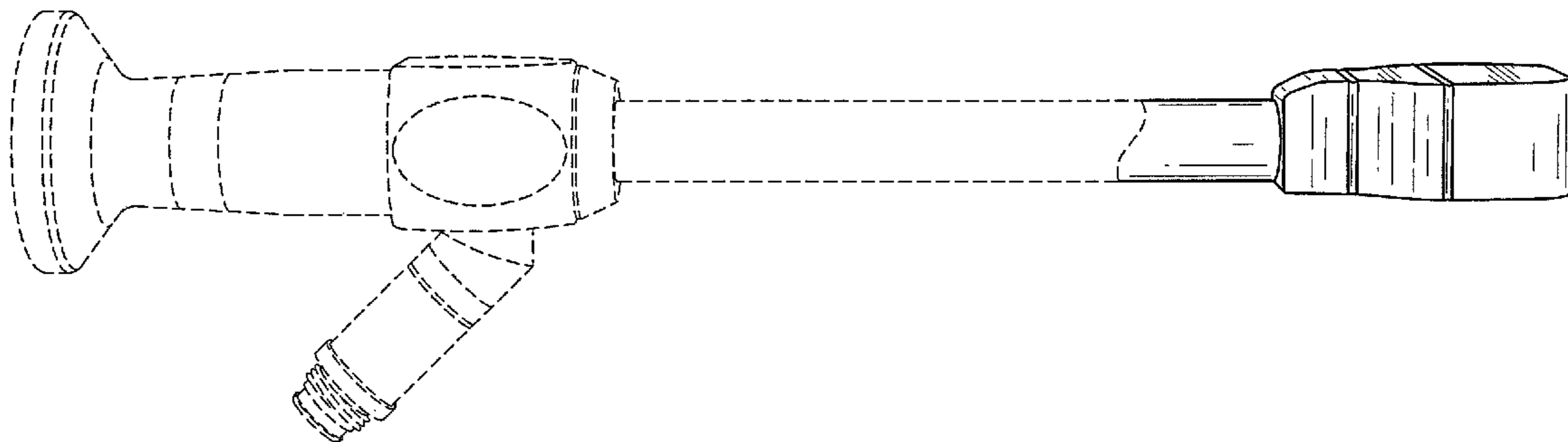
FIG. 5 is a top plan view of the exoscope of FIG. 1.

FIG. 6 is a bottom plan view of the exoscope of FIG. 1; and,

FIG. 7 is a three-quarter view of the exoscope of FIG. 1.

The dashed lines illustrate environment that does not form a
part of the present invention, and no claim is made to the
material illustrated with dashed lines.

1 Claim, 7 Drawing Sheets



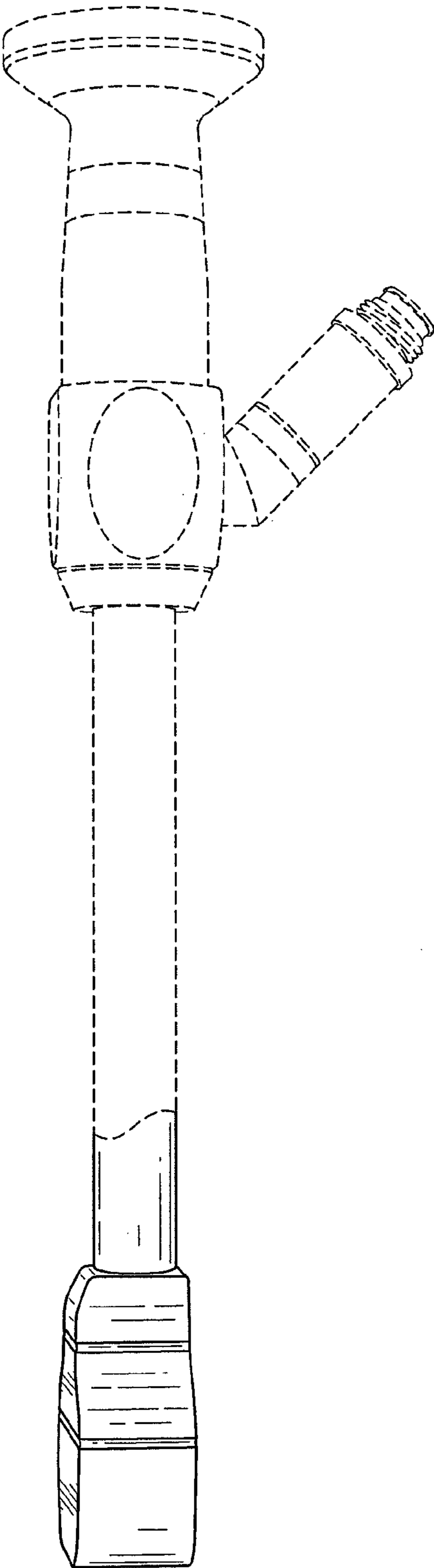


FIG.1

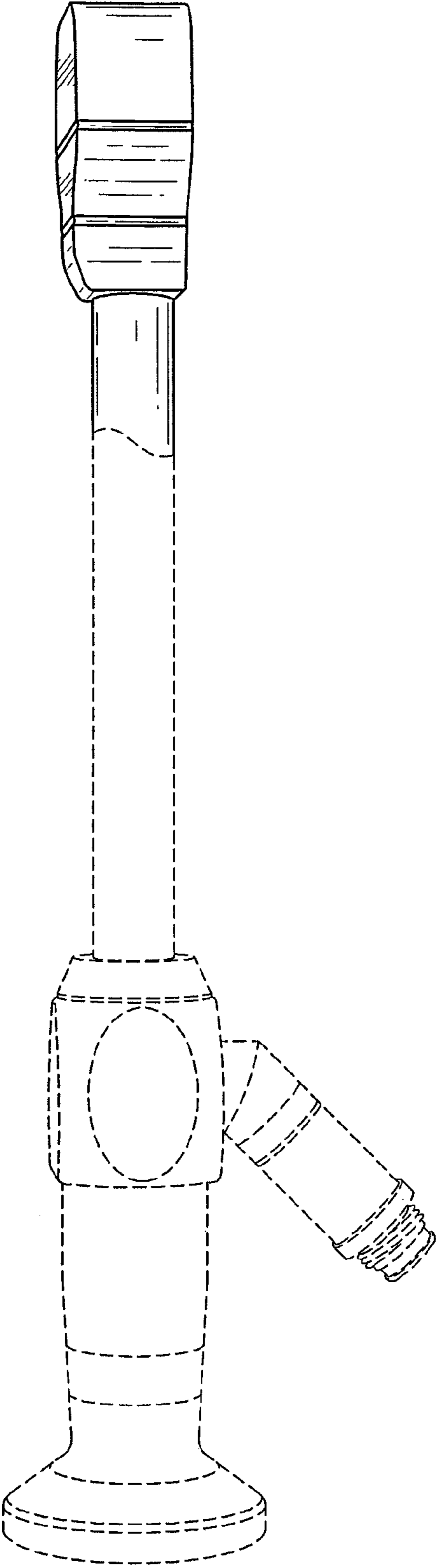


FIG.2

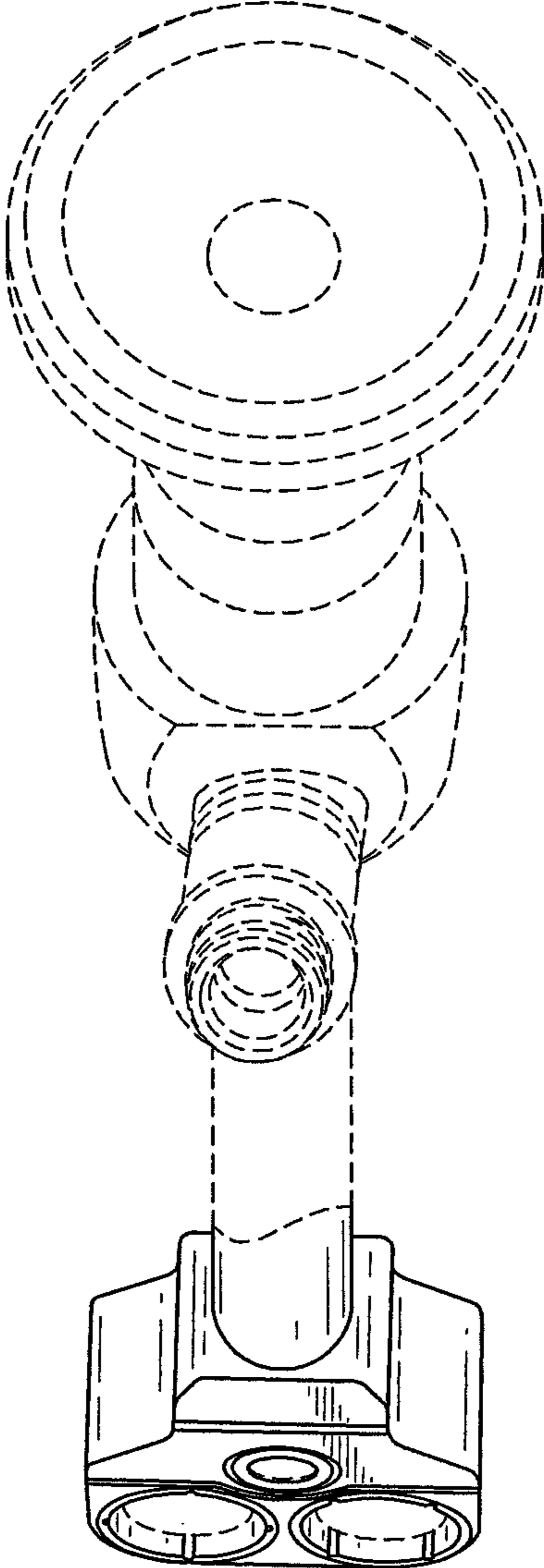


FIG.3

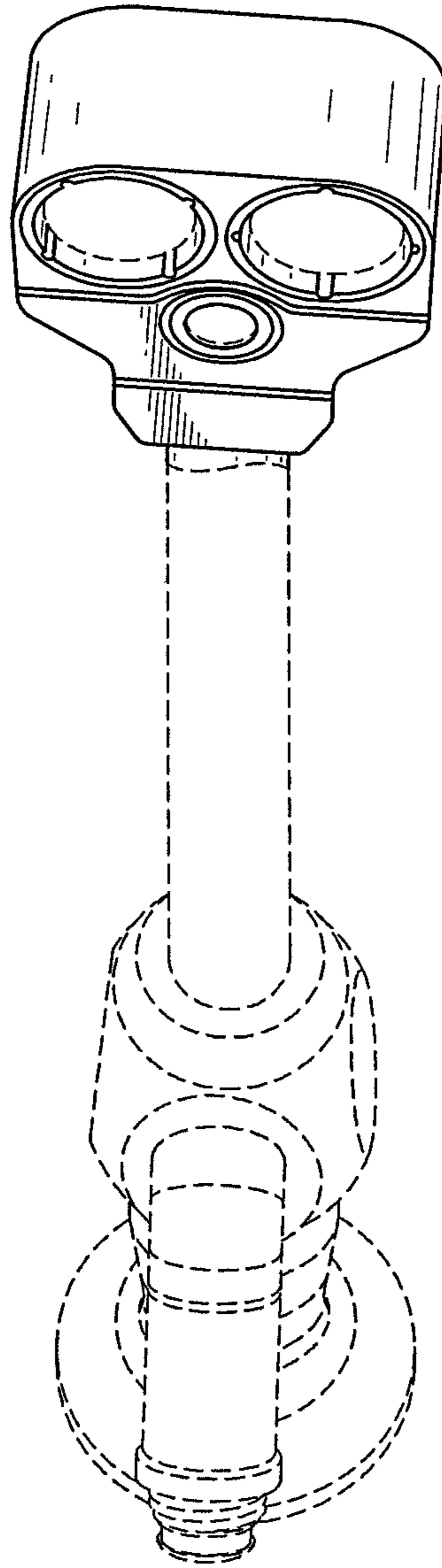


FIG.4

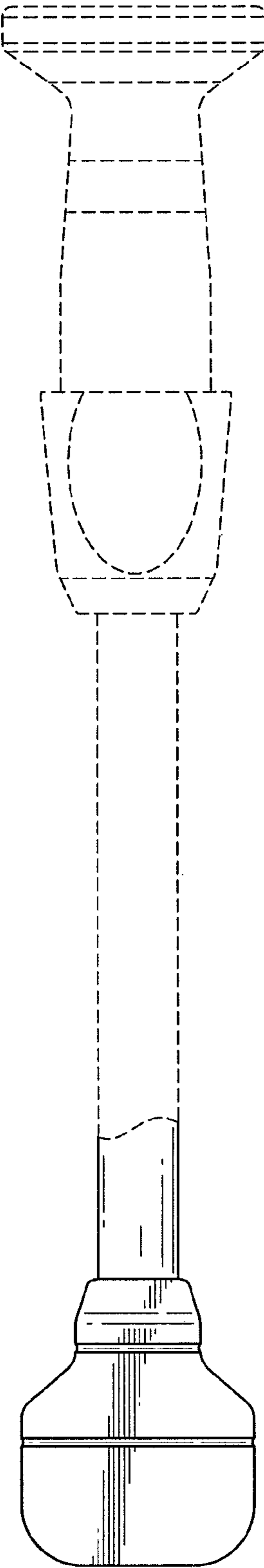


FIG.5

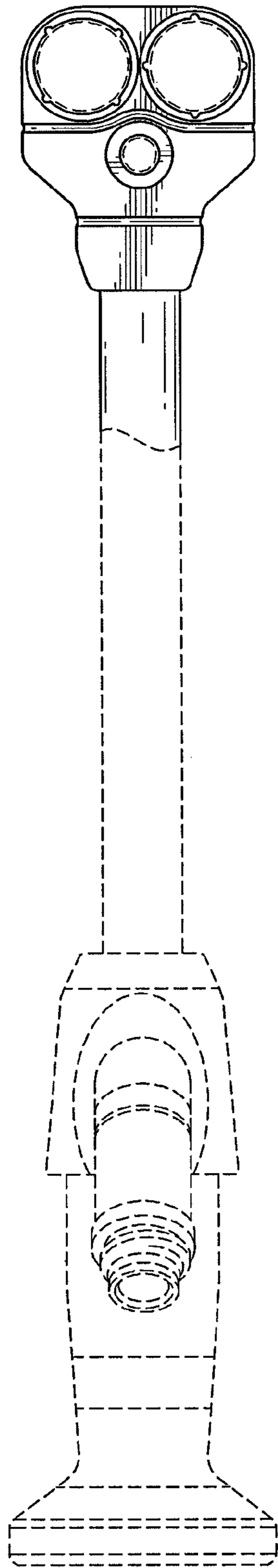


FIG.6

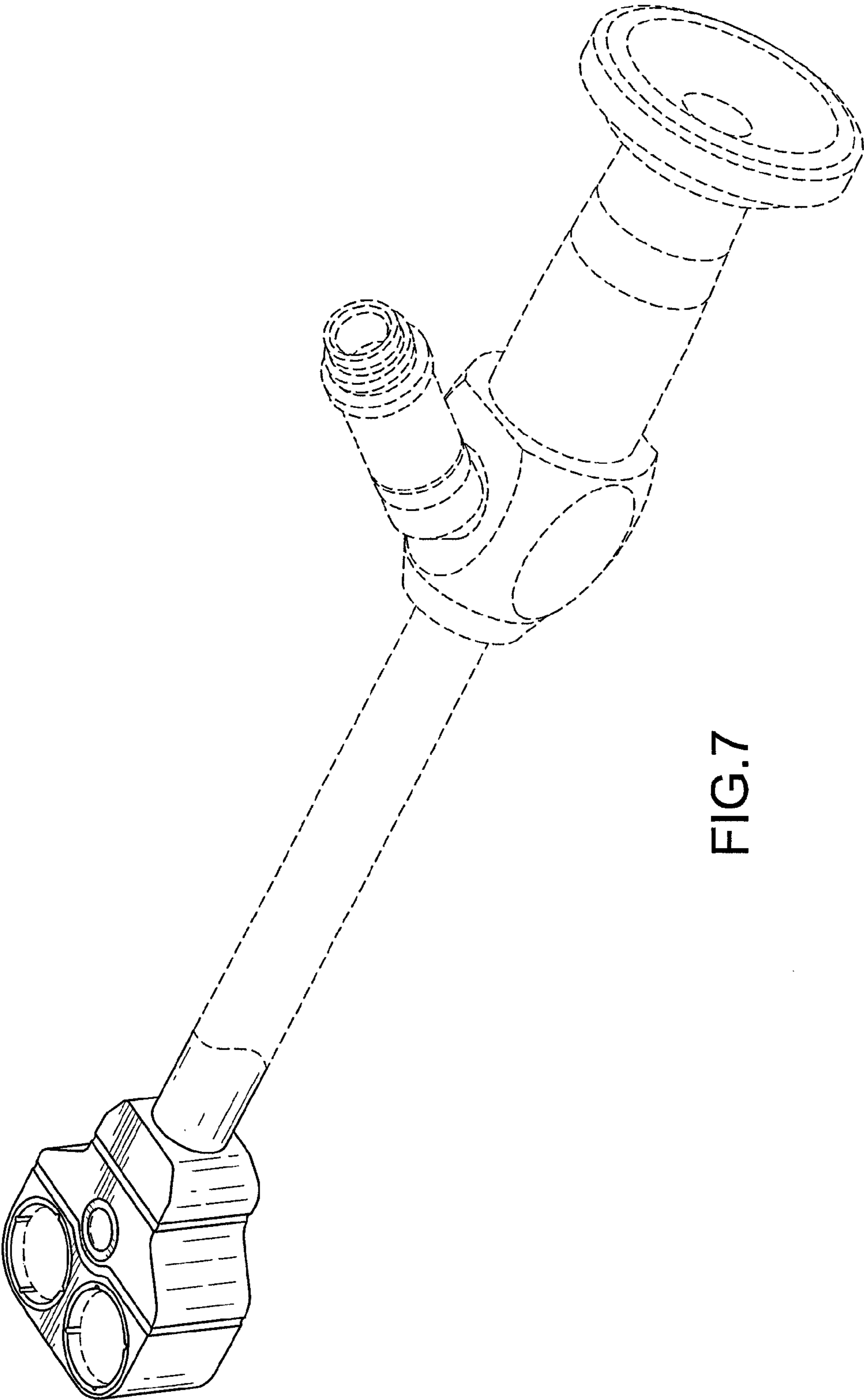


FIG.7