



US00D715429S

(12) **United States Design Patent**
Yu et al.

(10) **Patent No.:** **US D715,429 S**
(45) **Date of Patent:** **** Oct. 14, 2014**

(54) **CONTROL HANDLE FOR A MEDICAL DEVICE**

(75) Inventors: **Alex Yu**, Minneapolis, MN (US);
Stephen W. Evans, Plymouth, MN (US)

(73) Assignee: **St. Jude Medical, Atrial Fibrillation Division, Inc.**, St. Paul, MN (US)

(**) Term: **14 Years**

(21) Appl. No.: **29/420,271**

(22) Filed: **May 7, 2012**

(51) **LOC (10) Cl.** **24-02**

(52) **U.S. Cl.**
USPC **D24/130**

(58) **Field of Classification Search**
USPC D24/127, 130, 112-113, 186, 133, 138;
606/181, 185; 604/533, 534, 284, 115,
604/19, 48, 164.01-164.09; 600/226,
600/372-374, 585, 114; 128/200.24,
128/207.14, 207.15

See application file for complete search history.

(56) **References Cited**

U.S. PATENT DOCUMENTS

D345,419 S *	3/1994	Horrigan et al.	D24/130
D351,652 S *	10/1994	Thompson et al.	D24/138
7,194,294 B2 *	3/2007	Panescu et al.	600/374
D655,406 S *	3/2012	Ma et al.	D24/112
8,725,228 B2 *	5/2014	Koblish et al.	600/374

OTHER PUBLICATIONS

Therapy 4mm, Bi-directional Catheter Deflection, Ordering Information and Accessories, St. Jude Medical, p. 1-2 (2010).

Therapy 4mm, Bi-directional Catheter Deflection, Ordering Information and Accessories, St. Jude Medical.
Safire BLU Duo Bi-directional Ablation Catheter Irrigated 4 mm Tip Thermocouple Quadripolar, St. Jude Medical, p. 169, (2010).

* cited by examiner

Primary Examiner — Robert Delehanty

(74) *Attorney, Agent, or Firm* — Dykema Gossett PLLC

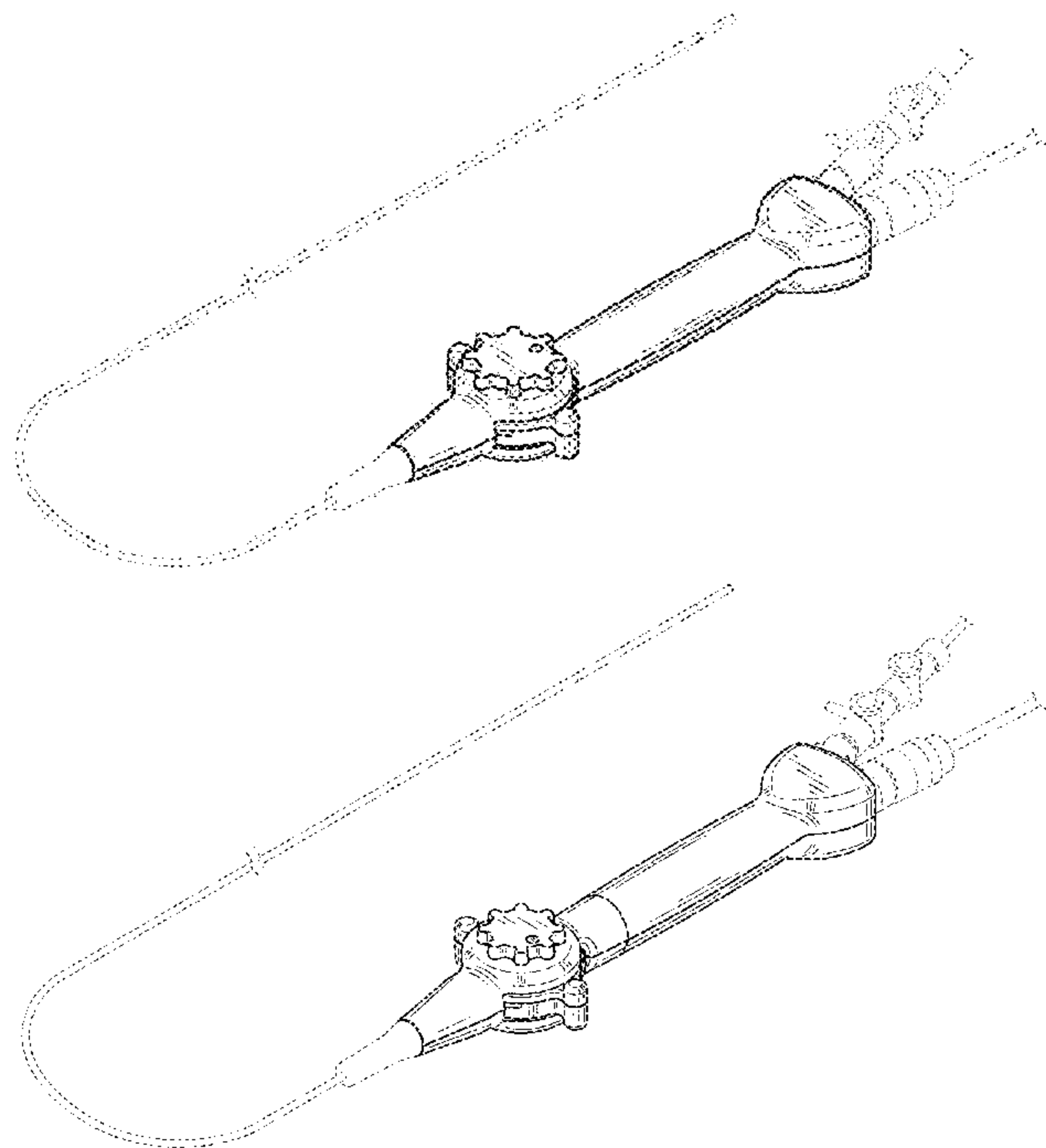
(57) **CLAIM**

The ornamental design for a control handle for a medical device, as shown and described.

DESCRIPTION

FIG. 1 is a perspective view of an embodiment of a control handle for a medical device showing a new design; FIG. 2 is a front view thereof; FIG. 3 is a back view thereof; FIG. 4 is a right view thereof; FIG. 5 is a left view thereof; FIG. 6 is a top side view thereof; and FIG. 7 is a bottom side view thereof. FIG. 8 is a perspective view of a second embodiment of a control handle for a medical device showing a new design; FIG. 9 is a front view thereof; FIG. 10 is a back view thereof; FIG. 11 is a right view thereof; FIG. 12 is a left view thereof; FIG. 13 is a top side view thereof; and, FIG. 14 is a bottom side view thereof. The broken lines are for purposes of illustration only and form no part of the claimed design.

1 Claim, 12 Drawing Sheets



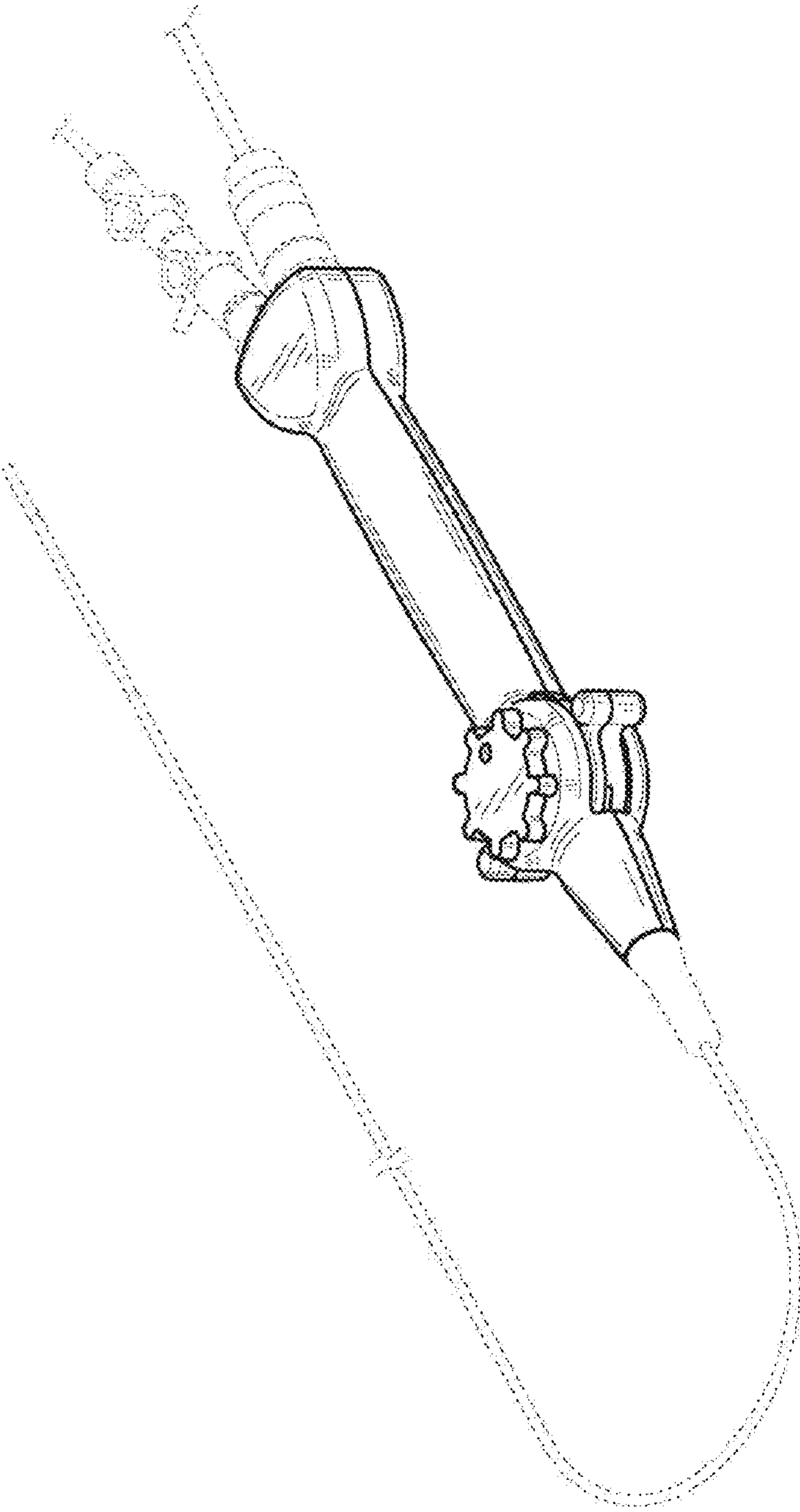


FIG.1

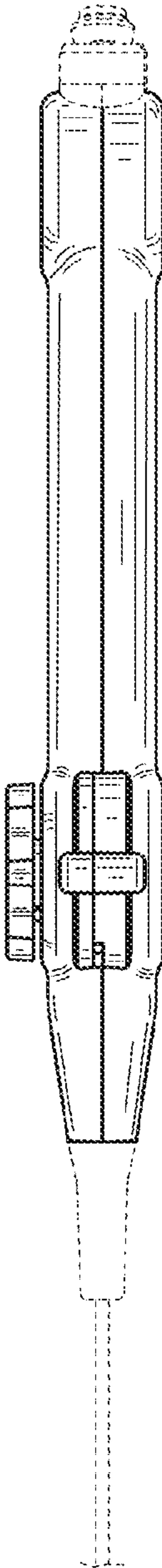


FIG.2

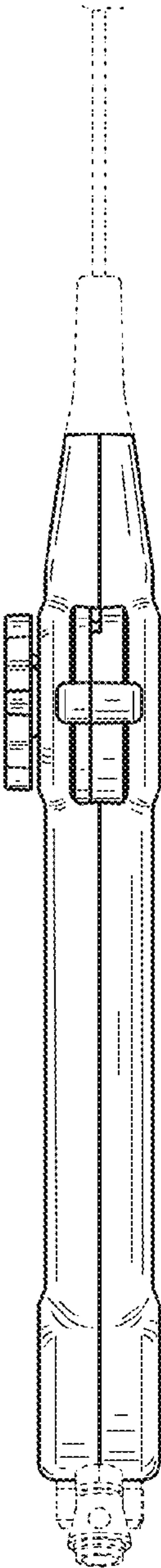


FIG.3

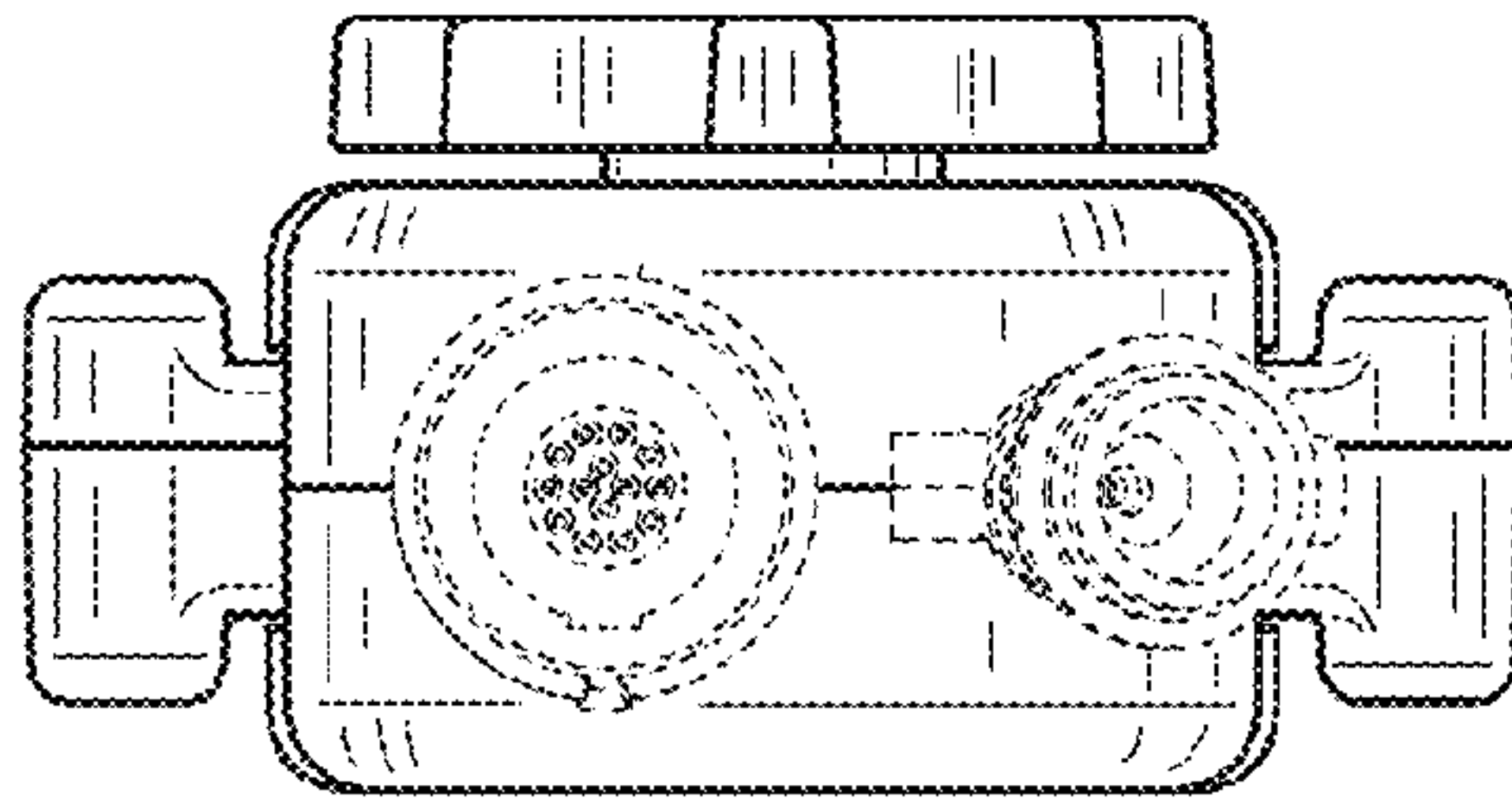


FIG.4

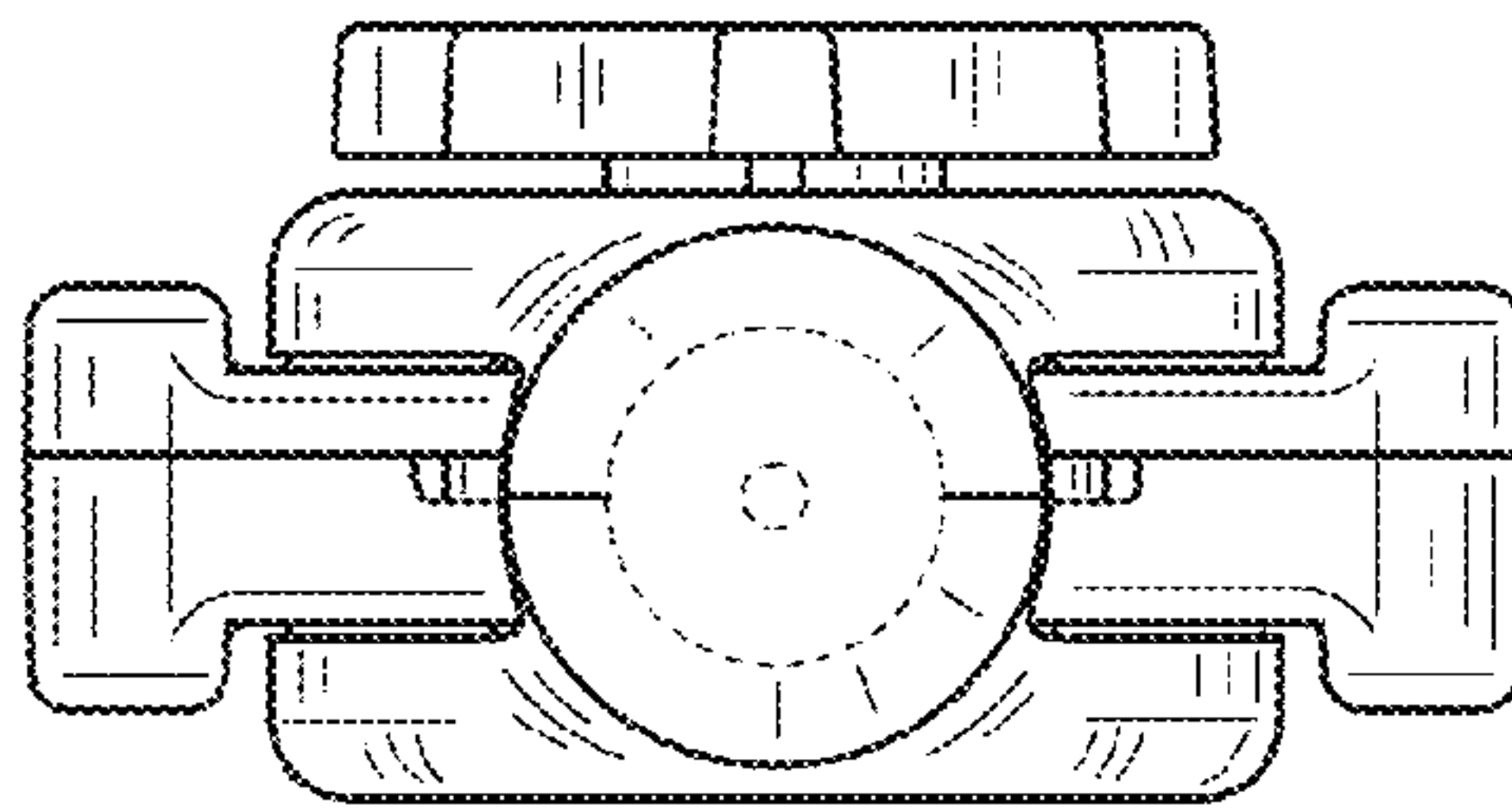


FIG.5

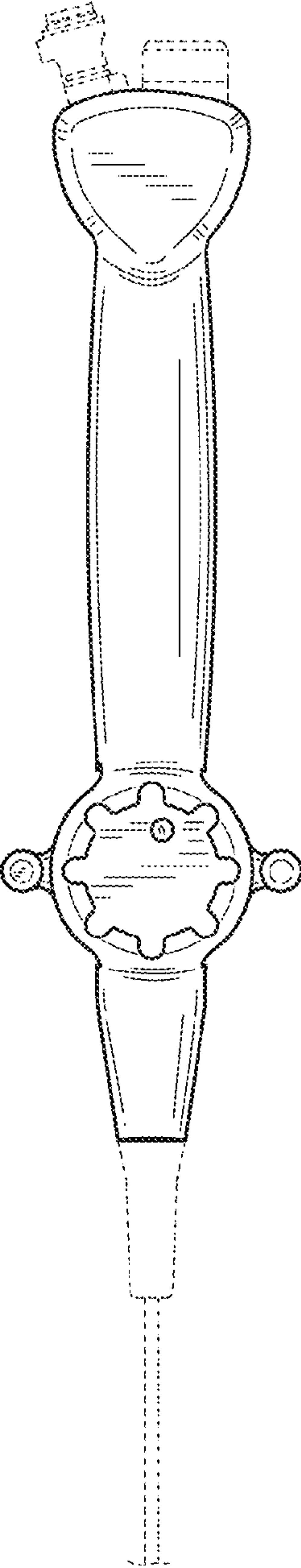


FIG.6

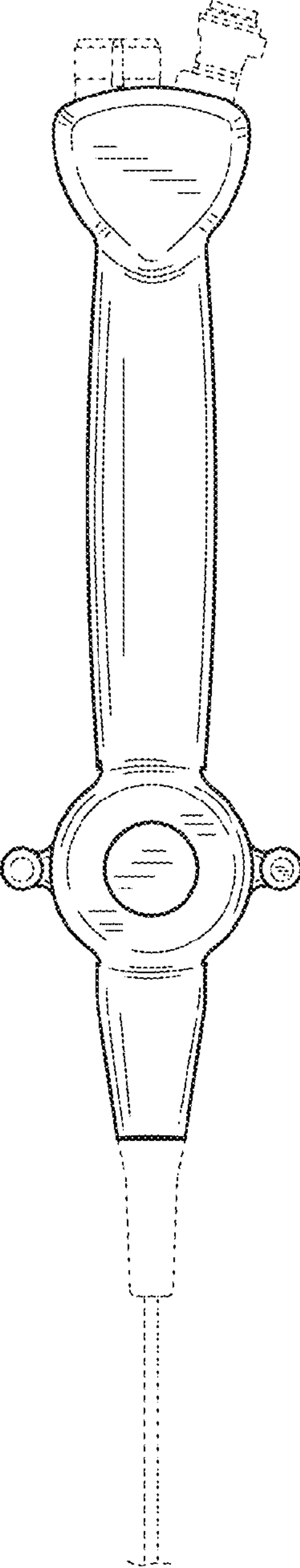


FIG. 7

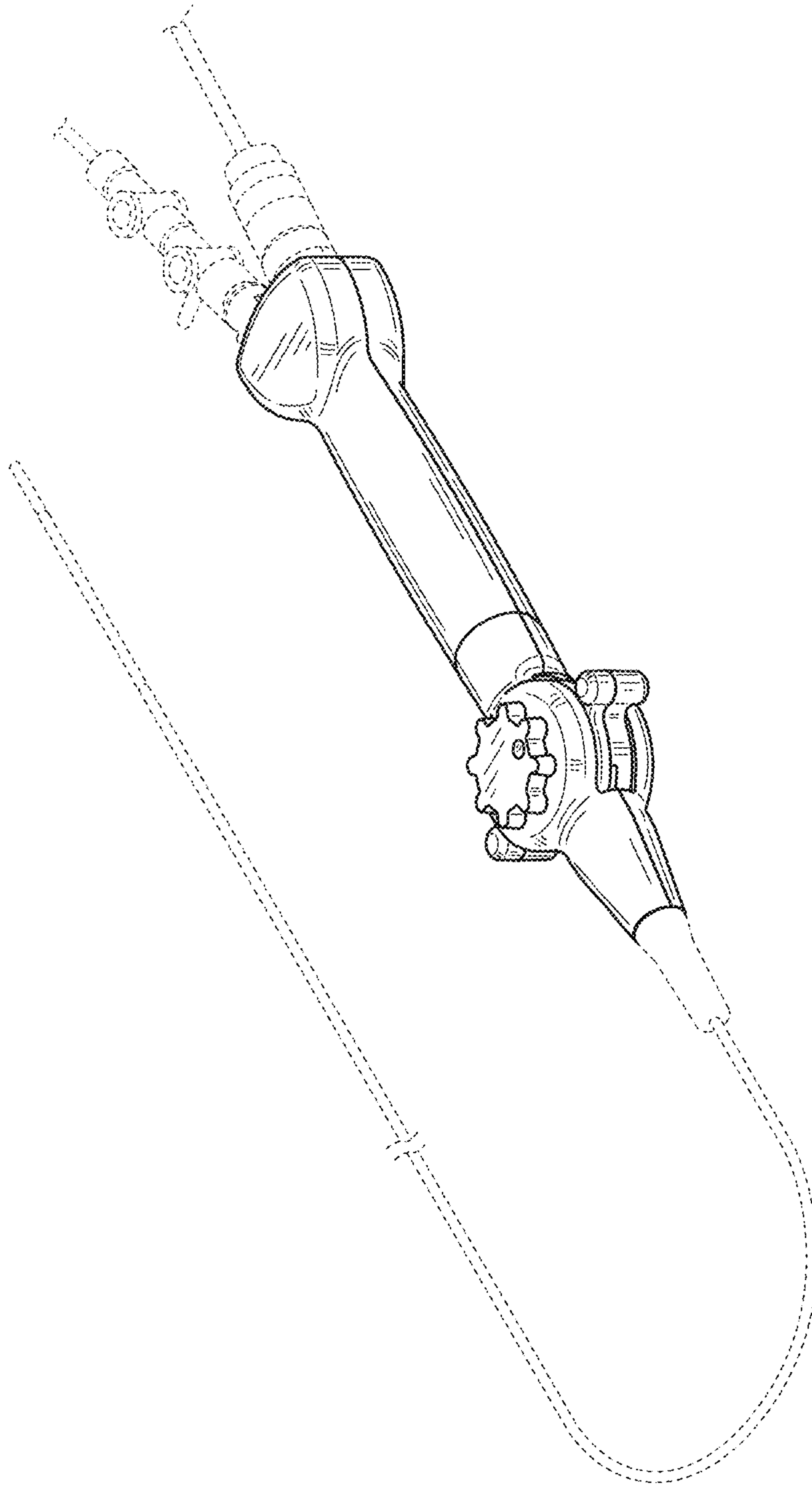


FIG. 8

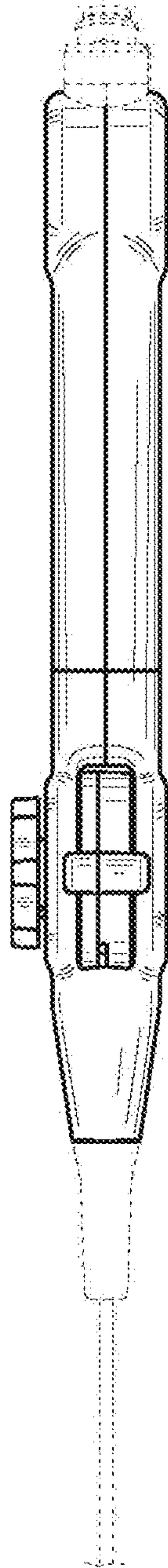


FIG. 9

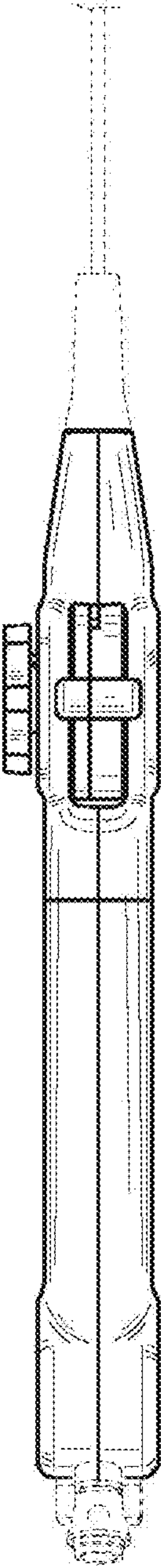


FIG. 10

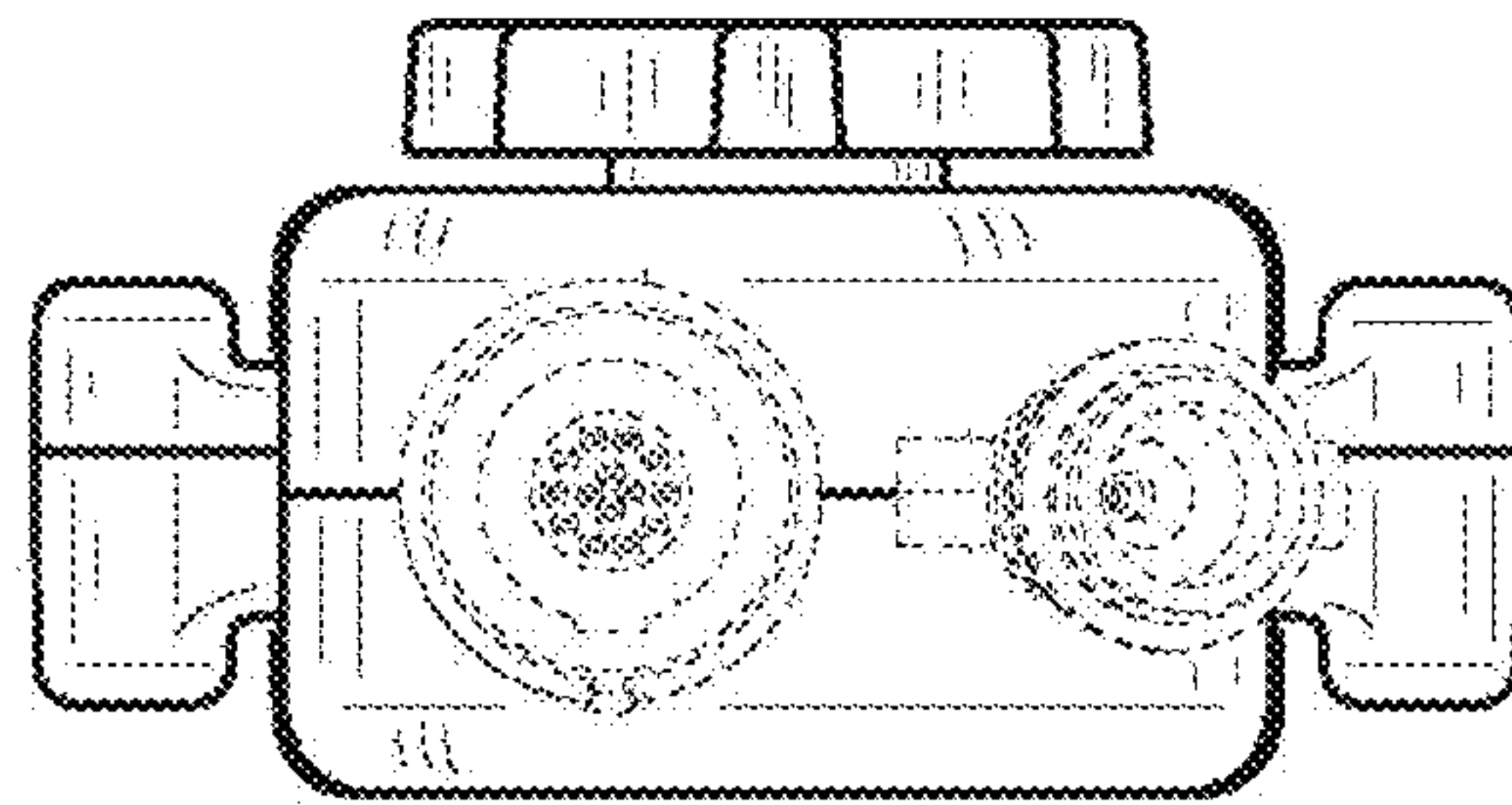


FIG. 11

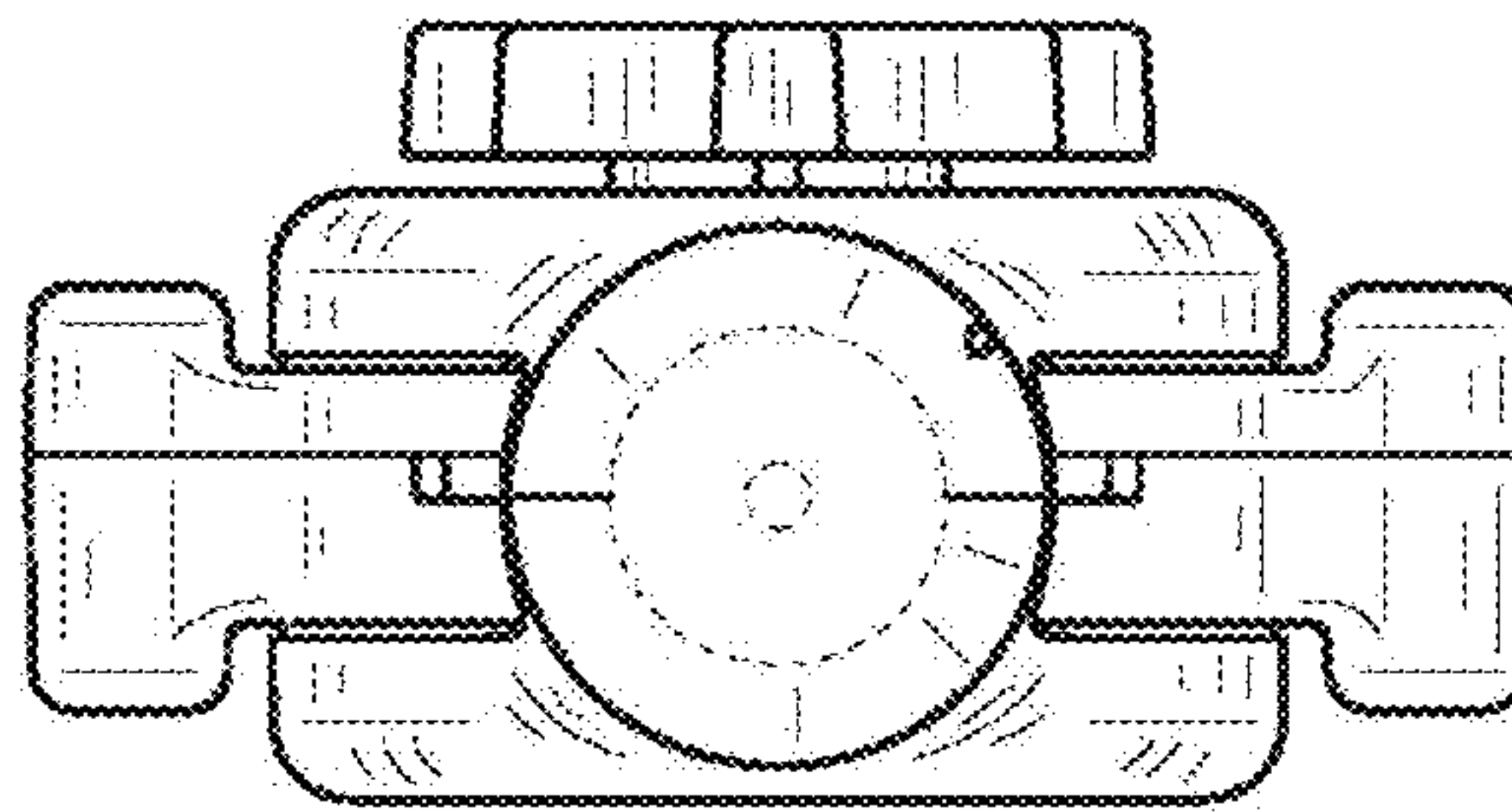


FIG. 12

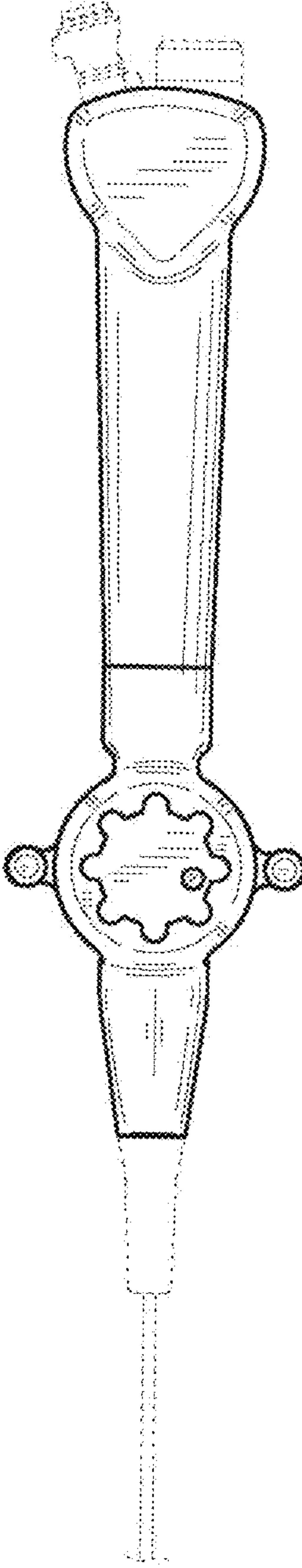


FIG. 13

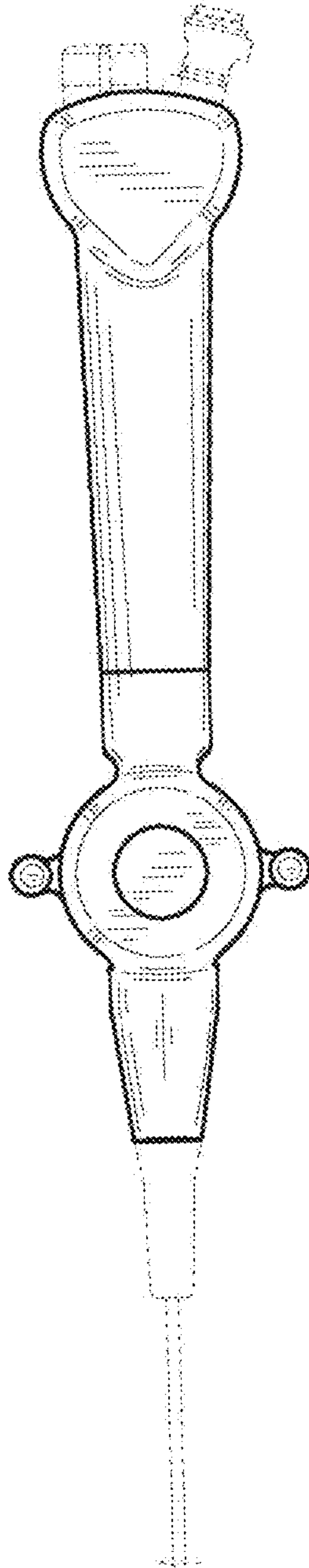


FIG. 14