



US00D715428S

(12) **United States Design Patent**
Baid

(10) **Patent No.:** **US D715,428 S**

(45) **Date of Patent:** **** Oct. 14, 2014**

(54) **SAFETY BLOOD COLLECTION HOLDER**

(75) Inventor: **Rishi Baid**, New Delhi (IN)

(73) Assignee: **Poly Medicure Limited**, Haryana (IN)

(**) Term: **14 Years**

(21) Appl. No.: **29/409,375**

(22) Filed: **Dec. 22, 2011**

(30) **Foreign Application Priority Data**

Jun. 22, 2011 (IN) 237449

(51) **LOC (10) Cl.** **24-02**

(52) **U.S. Cl.**
USPC **D24/130**

(58) **Field of Classification Search**
USPC D24/127-131, 112-114, 133, 186;
606/181, 185; 604/264, 272, 115, 232,
604/187, 158, 164.08, 192, 263, 163, 181,
604/184, 198, 227; 600/101, 139, 143;
128/200.24, 207.14, 207.15

See application file for complete search history.

(56) **References Cited**

U.S. PATENT DOCUMENTS

D412,206 S *	7/1999	Basile et al.	D24/130
D447,797 S *	9/2001	Odell et al.	D24/112
D461,243 S *	8/2002	Niedospial, Jr.	D24/130
D471,272 S *	3/2003	Douglas et al.	D24/130
D489,819 S *	5/2004	Ford	D24/114
D578,210 S *	10/2008	Muta et al.	D24/114
D604,841 S *	11/2009	Crawford et al.	D24/130
D616,985 S *	6/2010	Ade et al.	D24/130
D618,347 S *	6/2010	Bradshaw	D24/112

D627,065 S *	11/2010	Ade et al.	D24/130
D650,903 S *	12/2011	Kosinski et al.	D24/130
D651,308 S *	12/2011	Crawford et al.	D24/130
8,226,576 B2 *	7/2012	Swenson et al.	600/576

* cited by examiner

Primary Examiner — David Muller

(74) *Attorney, Agent, or Firm* — Pearne & Gordon LLP

(57) **CLAIM**

The ornamental design for a safety blood collection holder, as shown and described.

DESCRIPTION

FIG. 1 is a perspective view of my new invention showing a safety blood collection holder having an internal container inserted into an external container;

FIG. 2 is a front view thereof;

FIG. 3 is a back view thereof;

FIG. 4 is a left side view thereof;

FIG. 5 is a right side view thereof;

FIG. 6 is a top view thereof;

FIG. 7 is a bottom view thereof;

FIG. 8 is a front view showing the safety blood collection holder of FIG. 1. in an alternate position with the internal container partially removed from the external container;

FIG. 9 is a perspective view thereof;

FIG. 10 is a front view showing the external container of the safety blood collection holder of FIG. 1. with the internal container removed therefrom for clarity; and,

FIG. 11 is a front view showing the internal container of the safety blood collection holder of FIG. 1. having been removed from the external container for clarity.

FIGS. 1-11 illustrate a single embodiment of the invention with the parts being separated in FIGS. 10 and 11 for clarity.

1 Claim, 3 Drawing Sheets

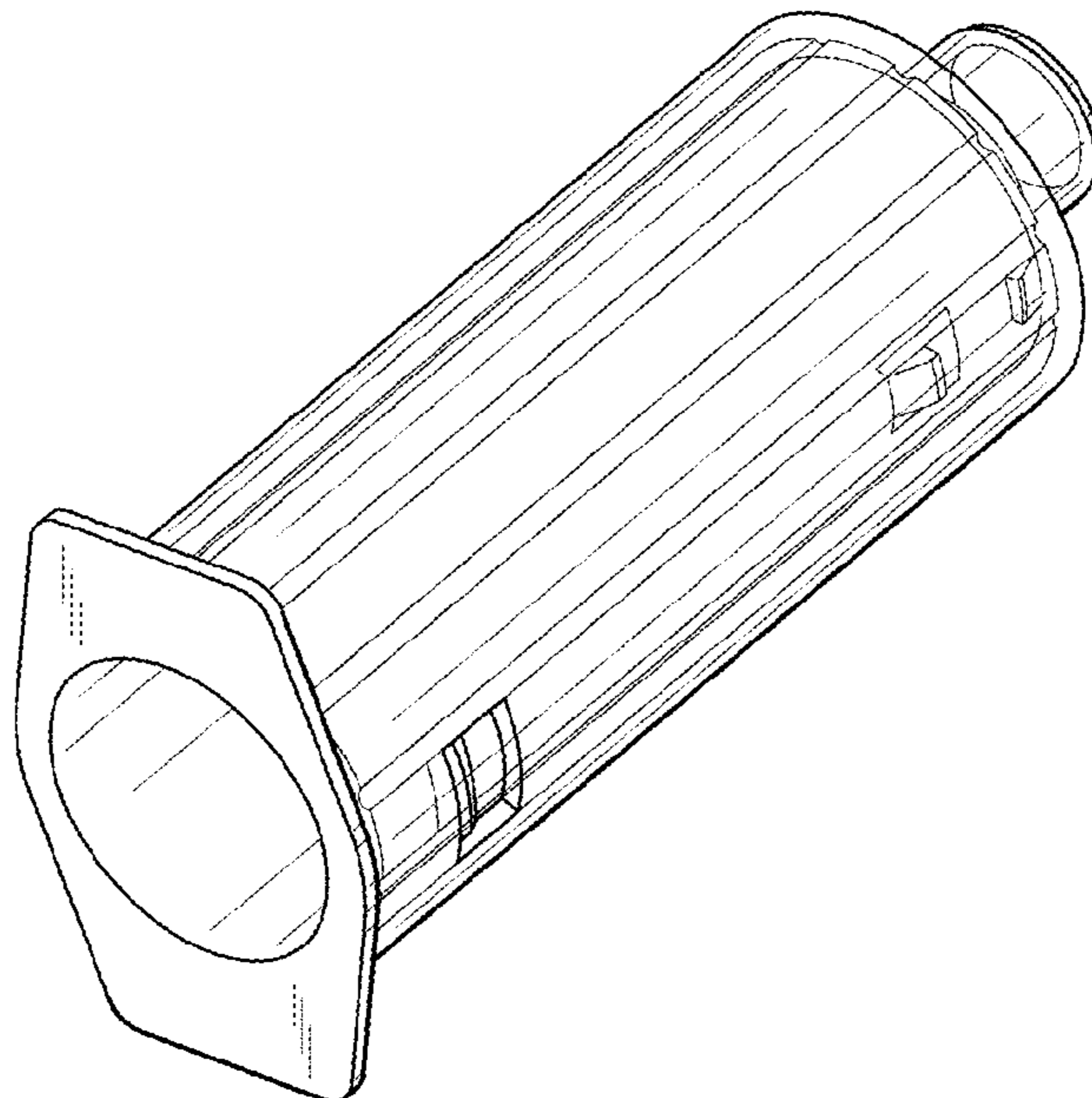


FIG. 1

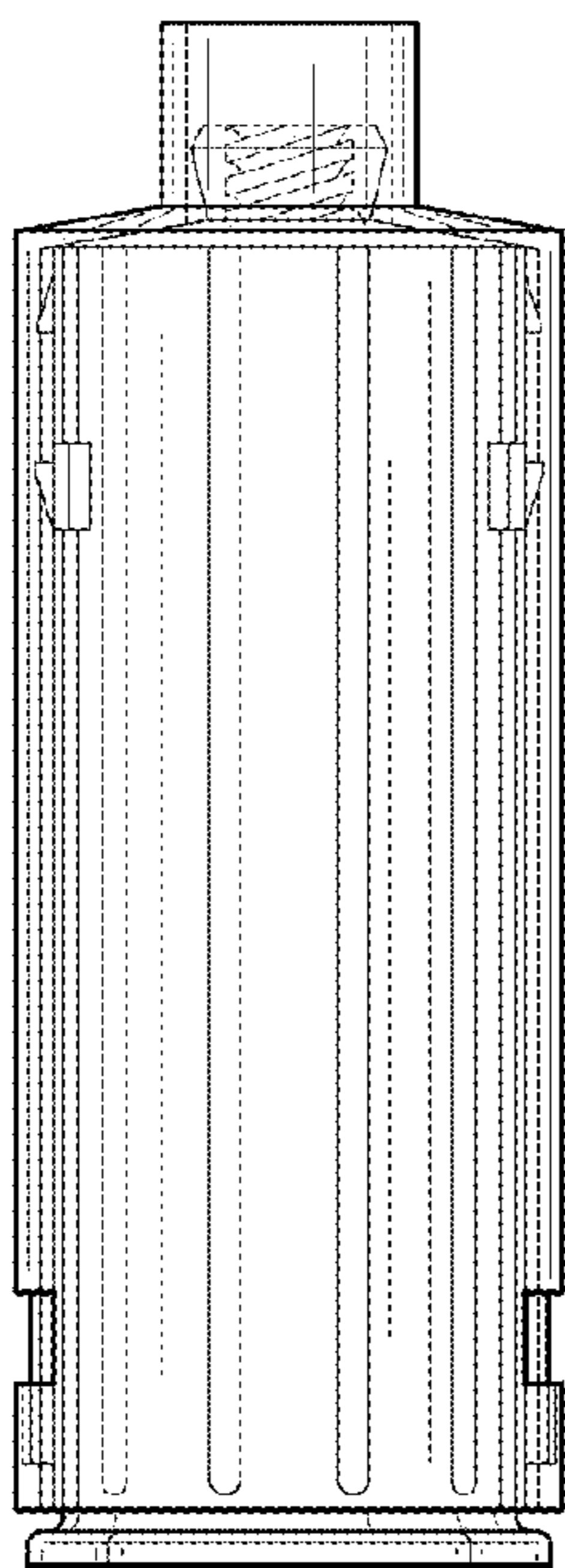
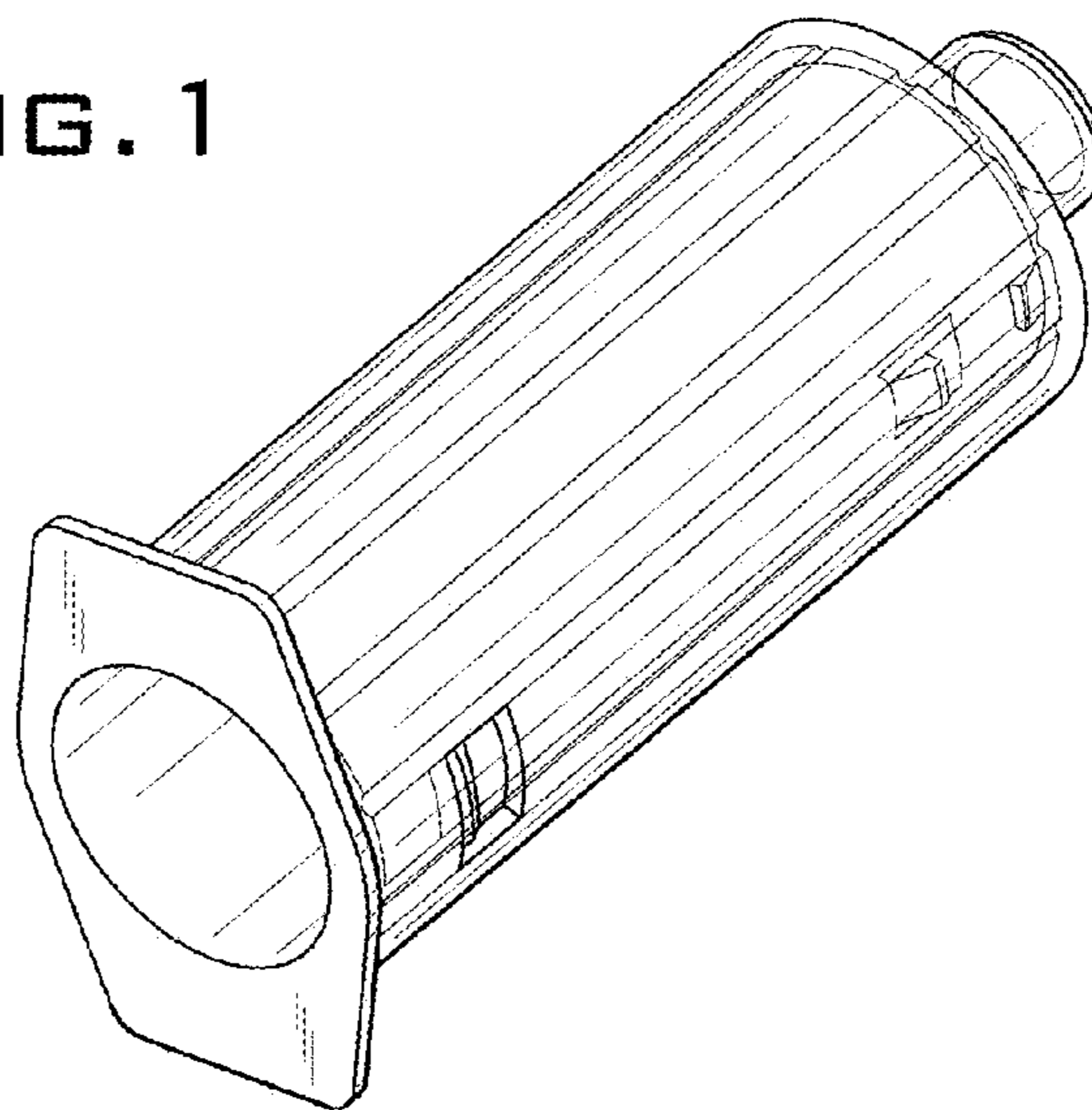


FIG. 2

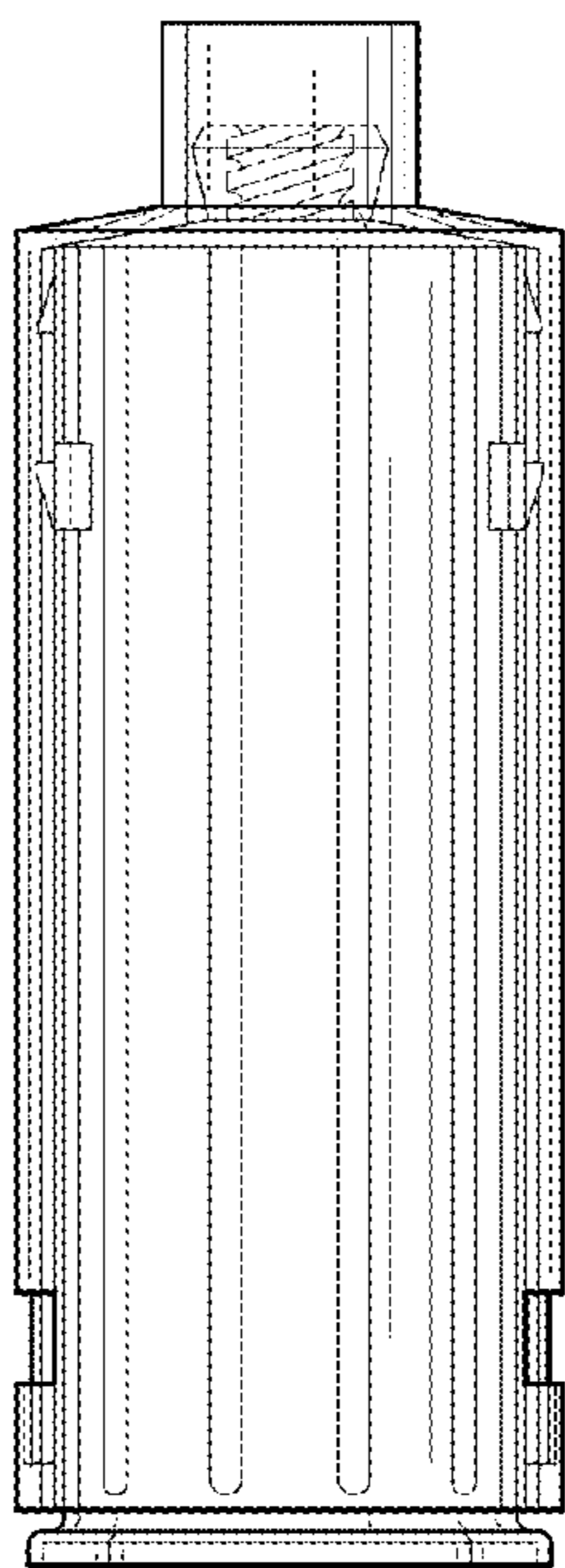


FIG. 3

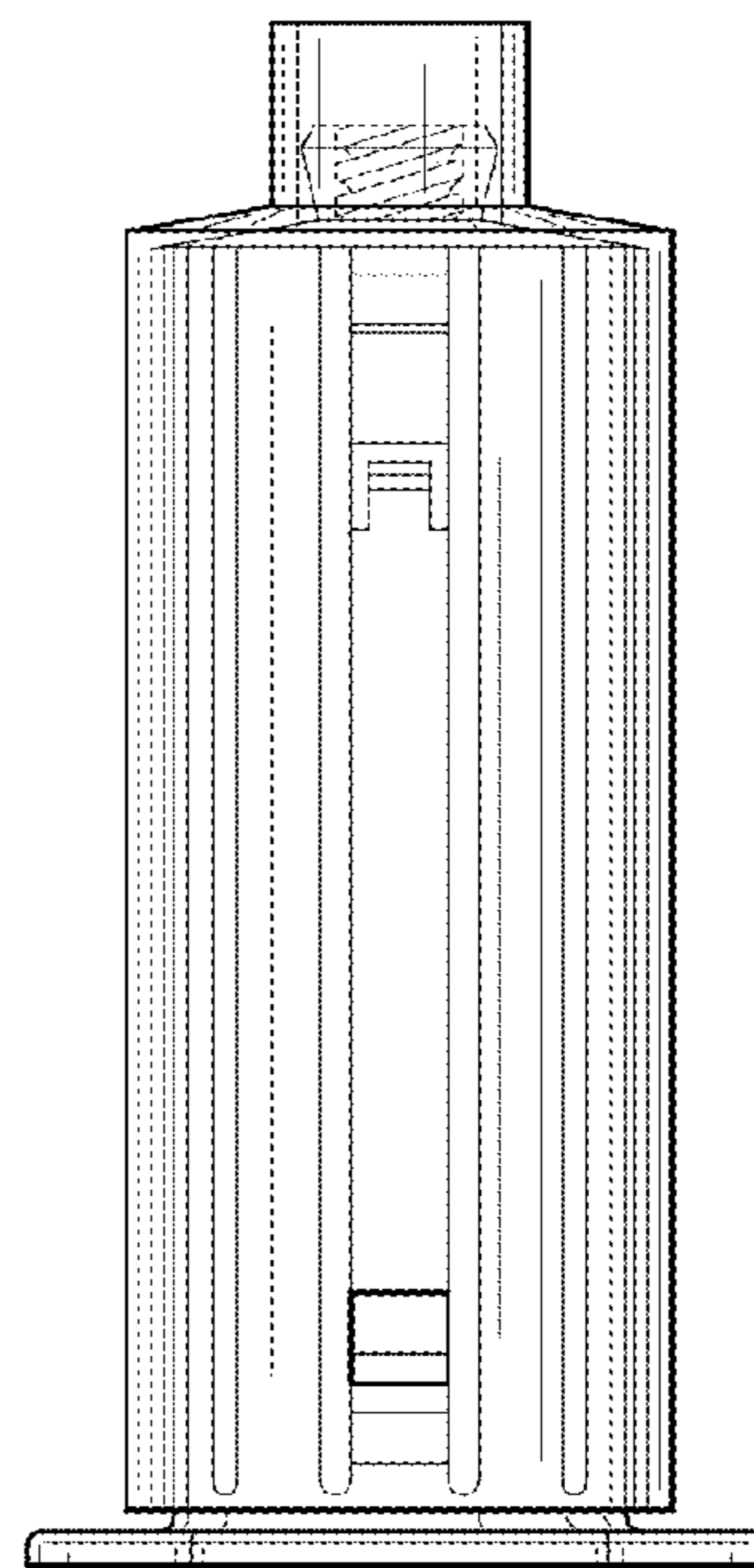


FIG. 4

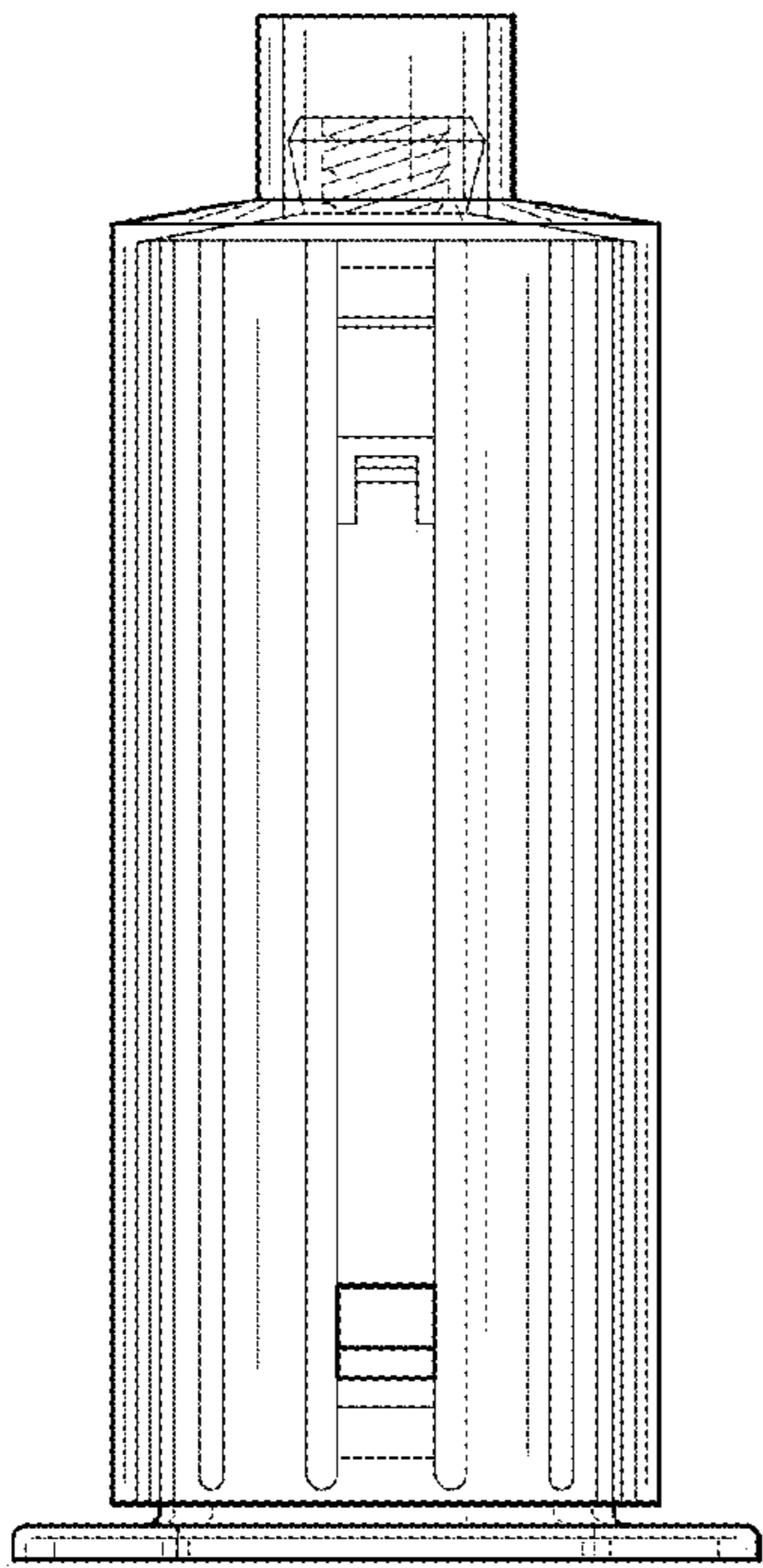


FIG. 5

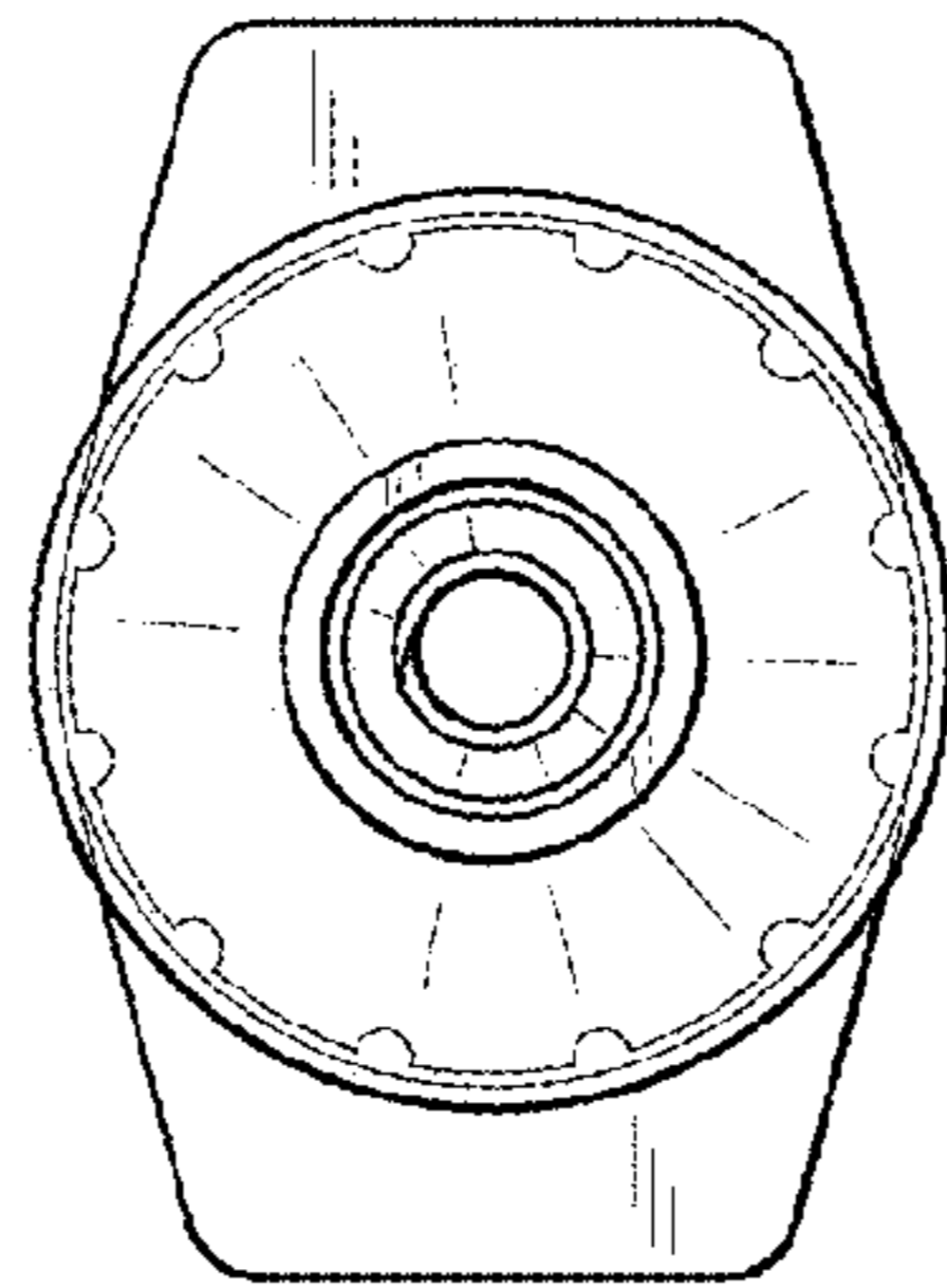


FIG. 6

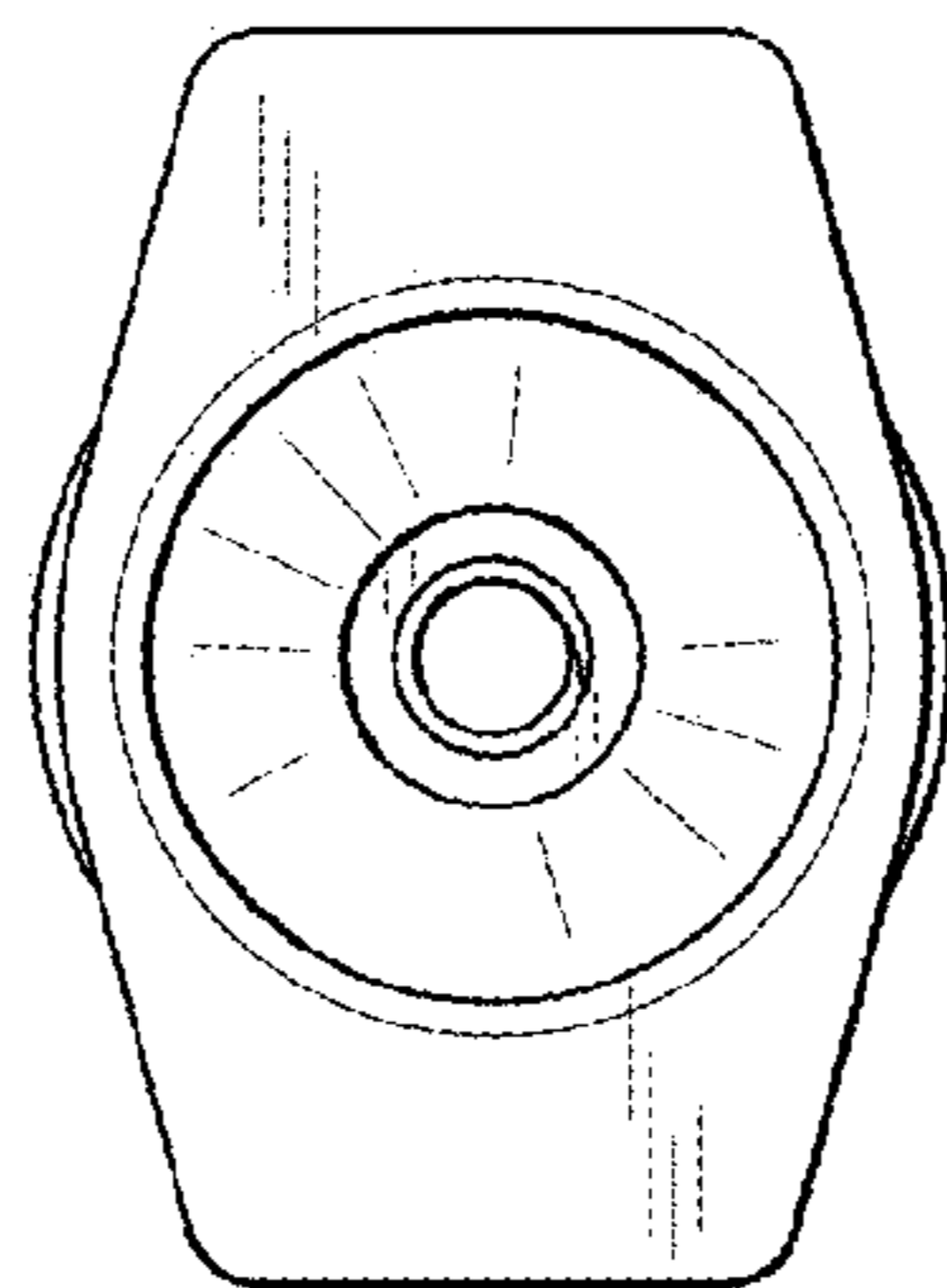


FIG. 7

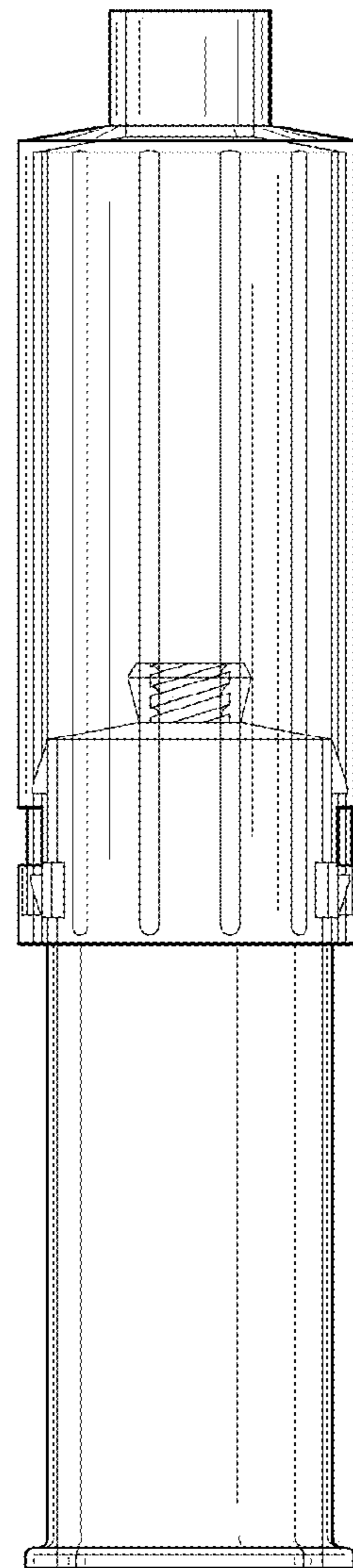


FIG. 8

FIG. 9

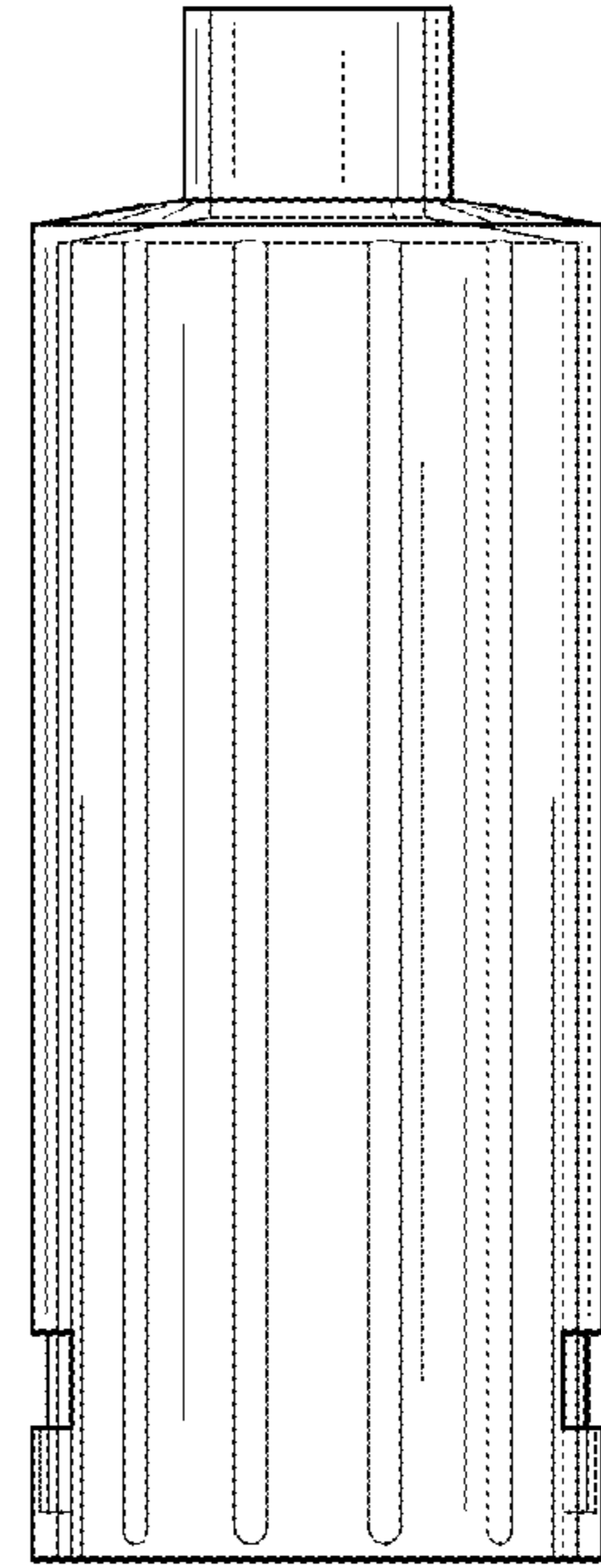
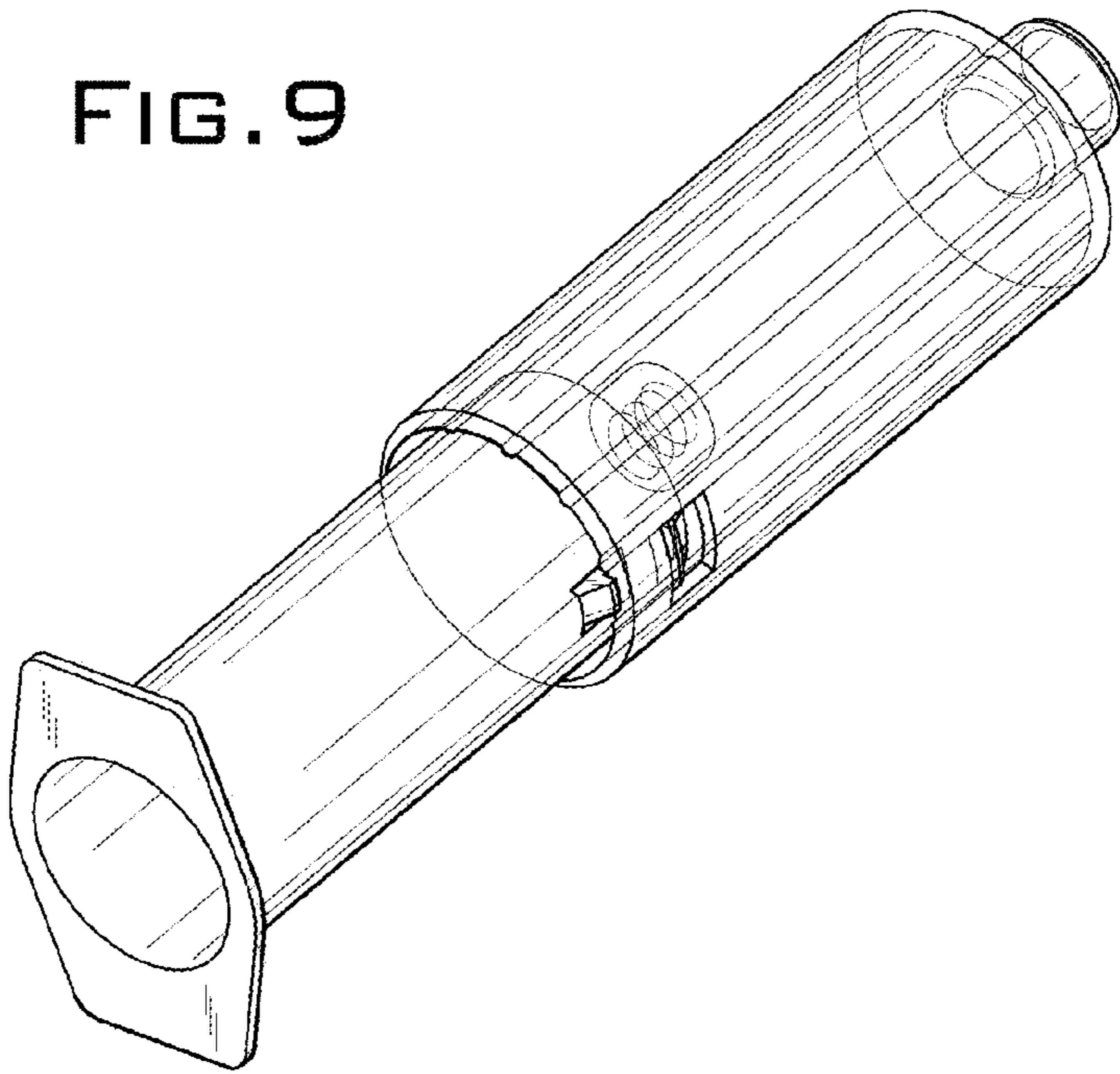


FIG. 10

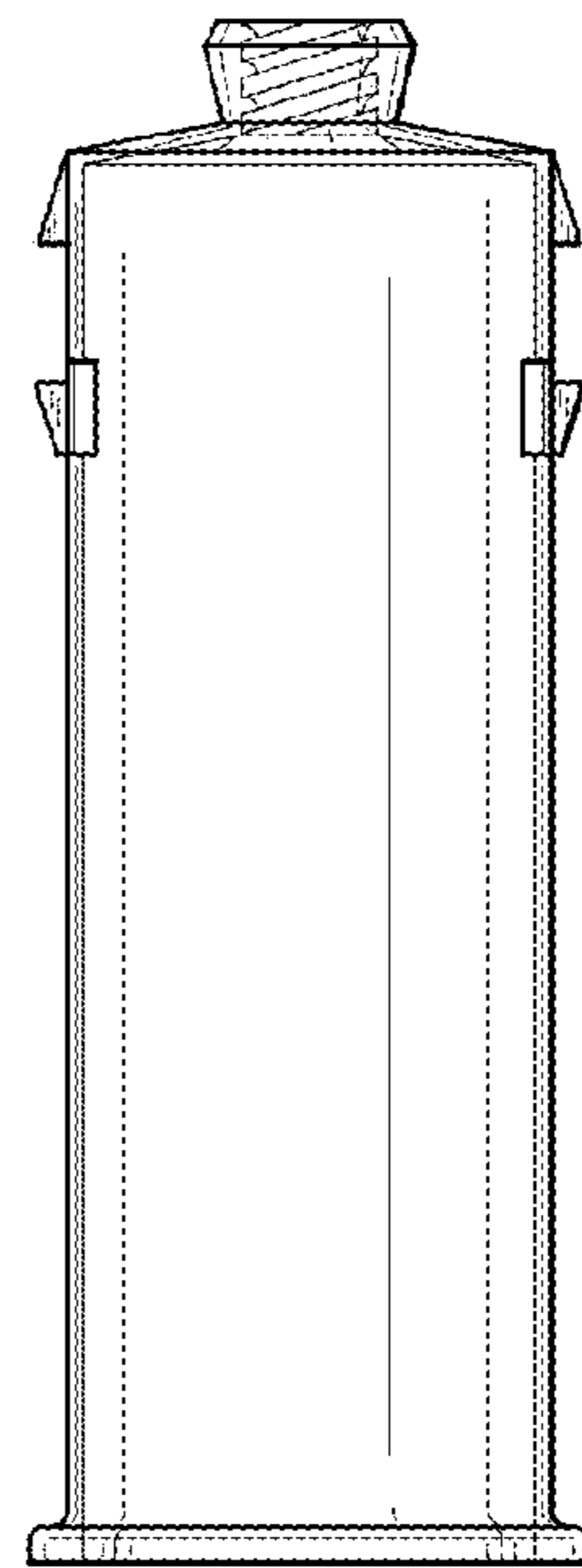


FIG. 11