



US00D715427S

(12) **United States Design Patent**
Jovet-Hug et al.

(10) **Patent No.:** **US D715,427 S**

(45) **Date of Patent:** **** Oct. 14, 2014**

(54) **INTRAVENOUS TUBING HOLDING DEVICE**

(71) Applicants: **Madeline Jovet-Hug**, Topeka, KS (US);
Alan Ray Hug, Jr., Topeka, KS (US)

(72) Inventors: **Madeline Jovet-Hug**, Topeka, KS (US);
Alan Ray Hug, Jr., Topeka, KS (US)

(**) Term: **14 Years**

(21) Appl. No.: **29/467,790**

(22) Filed: **Sep. 24, 2013**

(51) **LOC (10) Cl.** **24-02**

(52) **U.S. Cl.**
USPC **D24/128**

(58) **Field of Classification Search**
USPC D23/112, 127-130, 189; 604/174, 178,
604/180, 921; 602/58-59; 128/DIG. 26
See application file for complete search history.

(56) **References Cited**

U.S. PATENT DOCUMENTS

3,696,920 A * 10/1972 Lahay D24/128
D336,131 S * 6/1993 Nordstrom et al. D24/128

5,316,246 A * 5/1994 Scott et al. D24/128
D367,323 S * 2/1996 Carr et al. D24/129
D378,408 S * 3/1997 Pyeatt et al. D24/128
D630,317 S * 1/2011 Wung D24/128
D657,869 S * 4/2012 Mammen D24/128
8,689,798 B2 * 4/2014 Sabin 604/180
D704,829 S * 5/2014 McAtamney et al. D24/128

* cited by examiner

Primary Examiner — Robert Delehanty

(74) *Attorney, Agent, or Firm* — Dale J. Ream

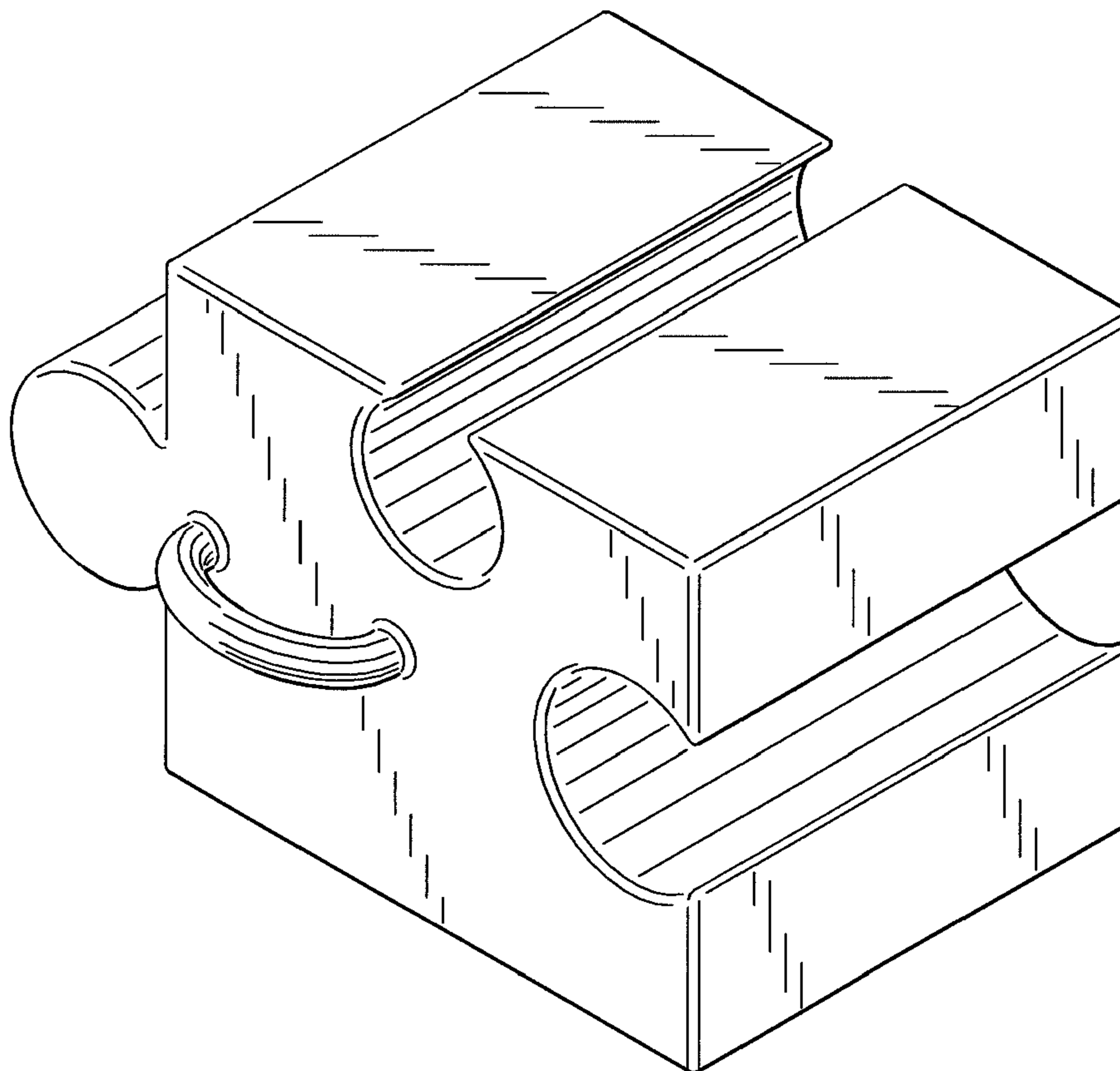
(57) **CLAIM**

The ornamental design for an intravenous tubing holding device, as shown and described.

DESCRIPTION

FIG. 1 is a perspective view of an intravenous tubing holding device showing our new design;
FIG. 2 is a front view thereof;
FIG. 3 is a back view thereof;
FIG. 4 is a top view thereof;
FIG. 5 is a bottom view thereof;
FIG. 6 is a left side view thereof; and,
FIG. 7 is a right side view thereof.

1 Claim, 4 Drawing Sheets



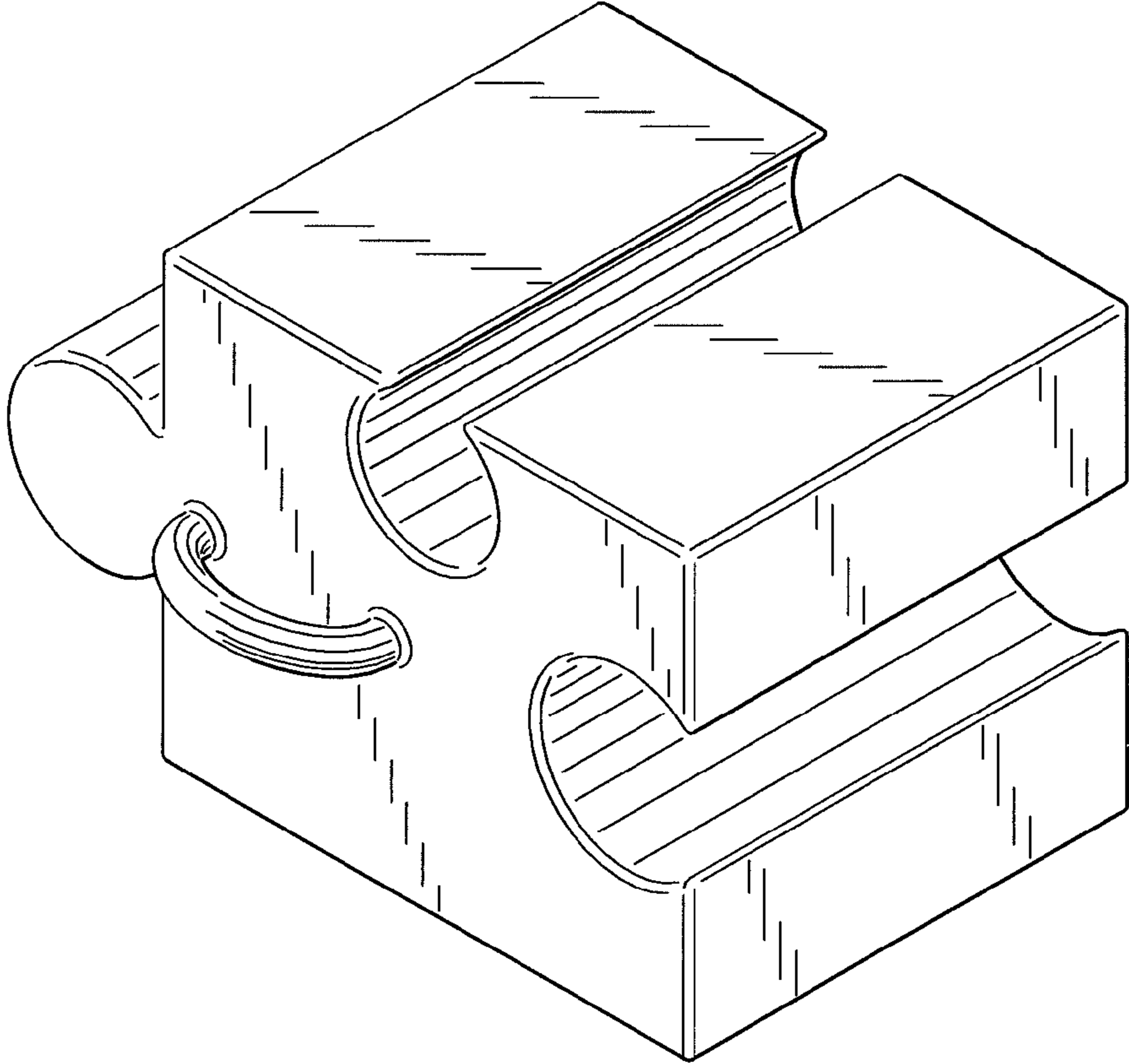


FIG. 1

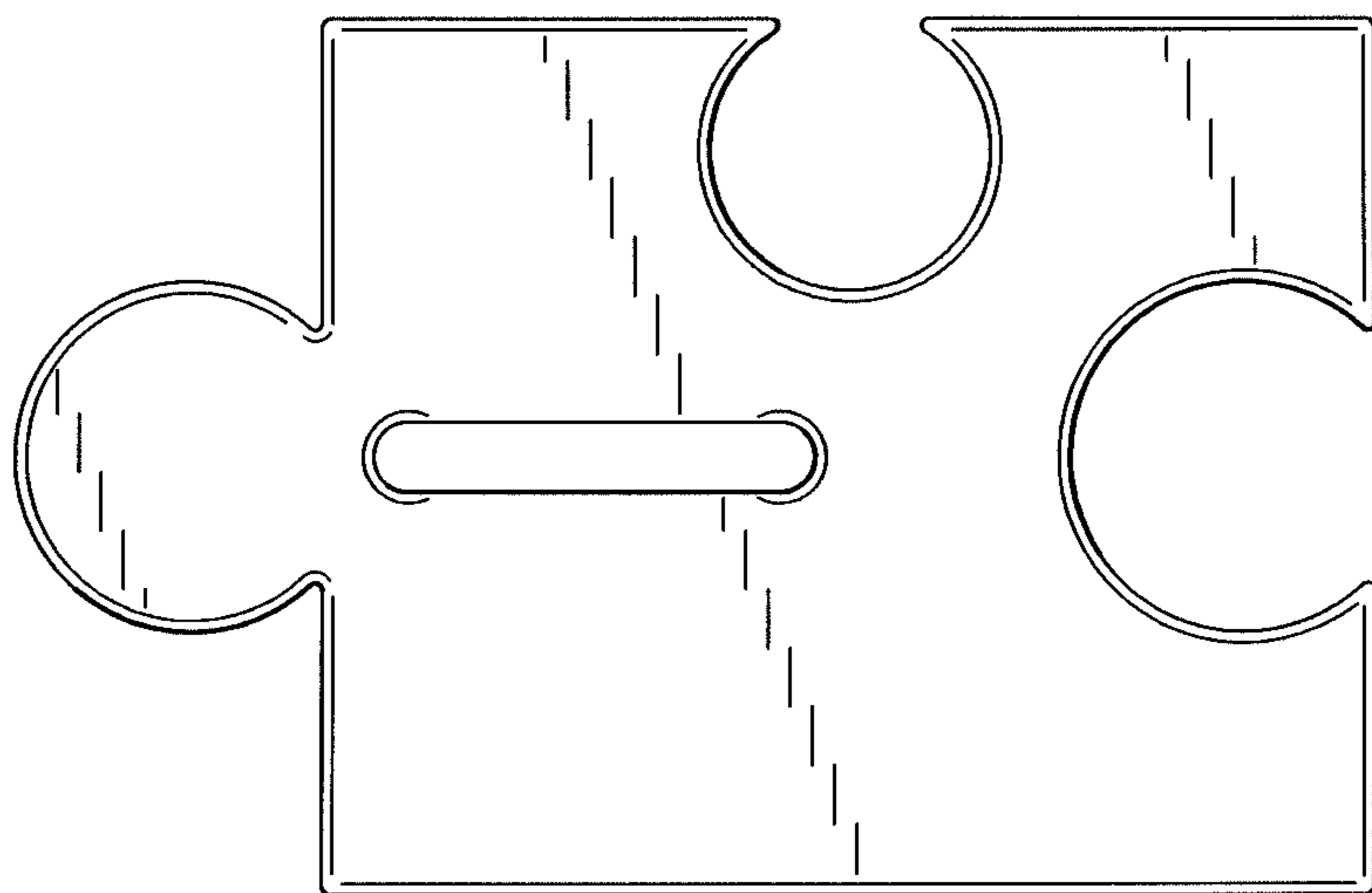


FIG. 2

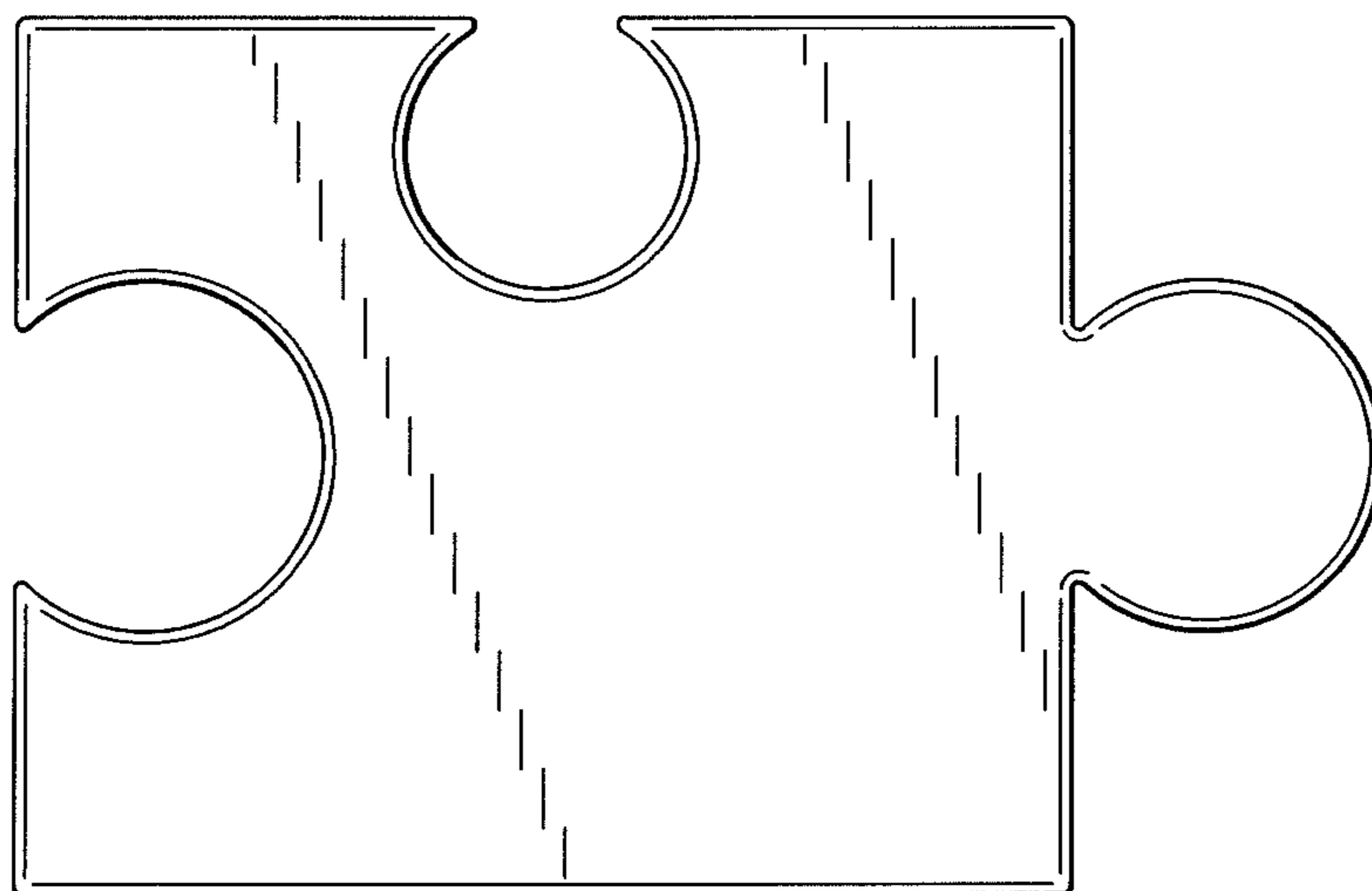


FIG. 3

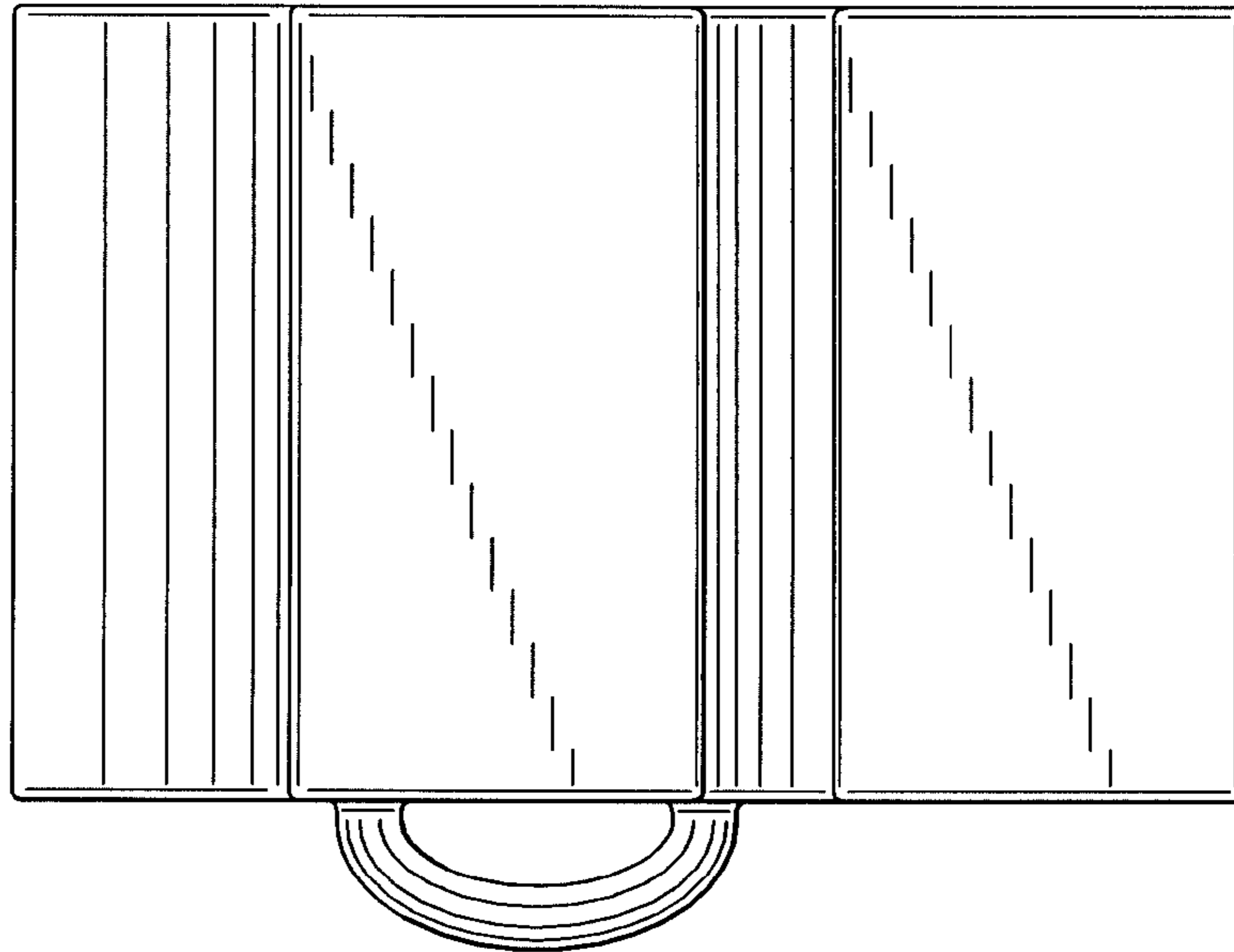


FIG. 4

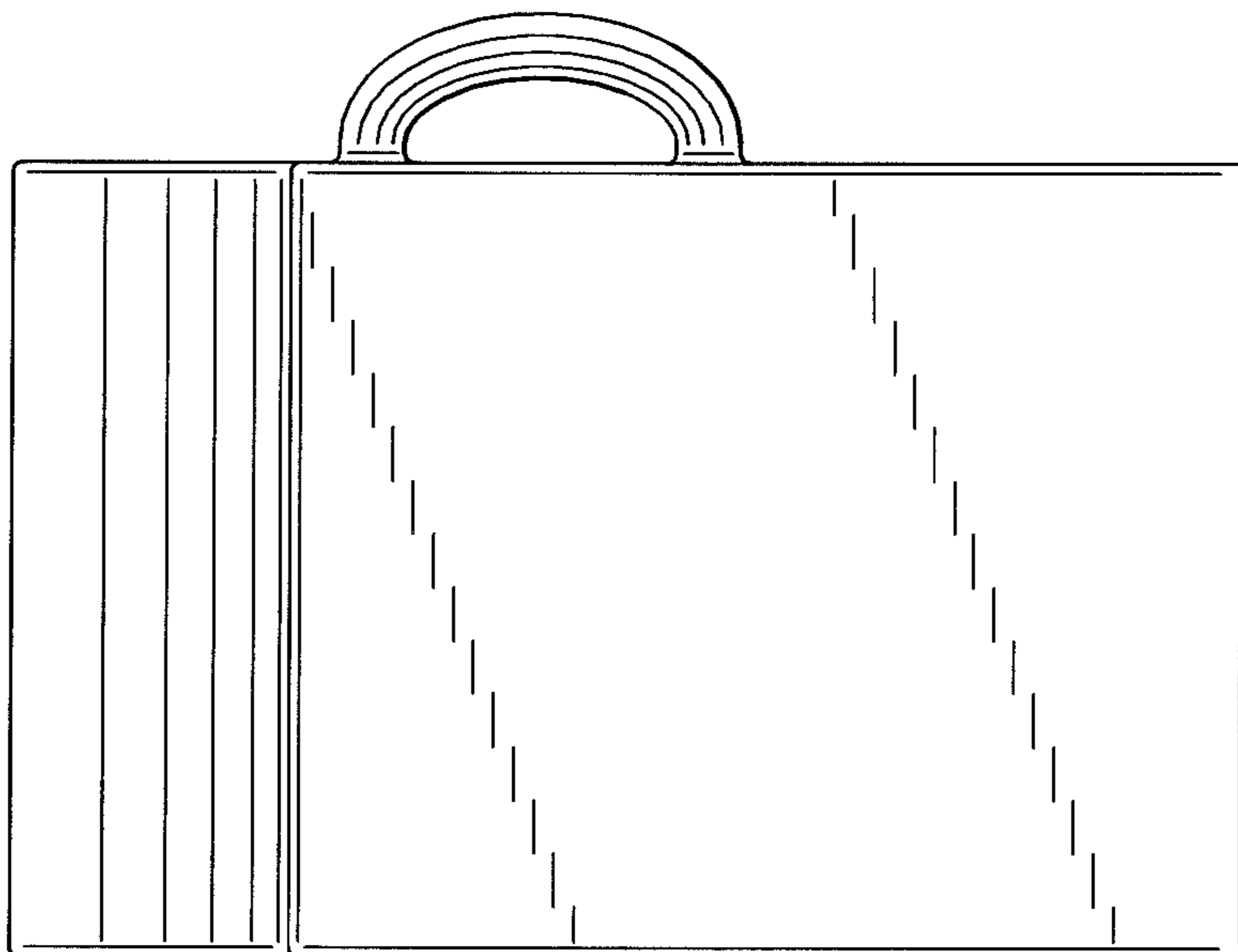


FIG. 5

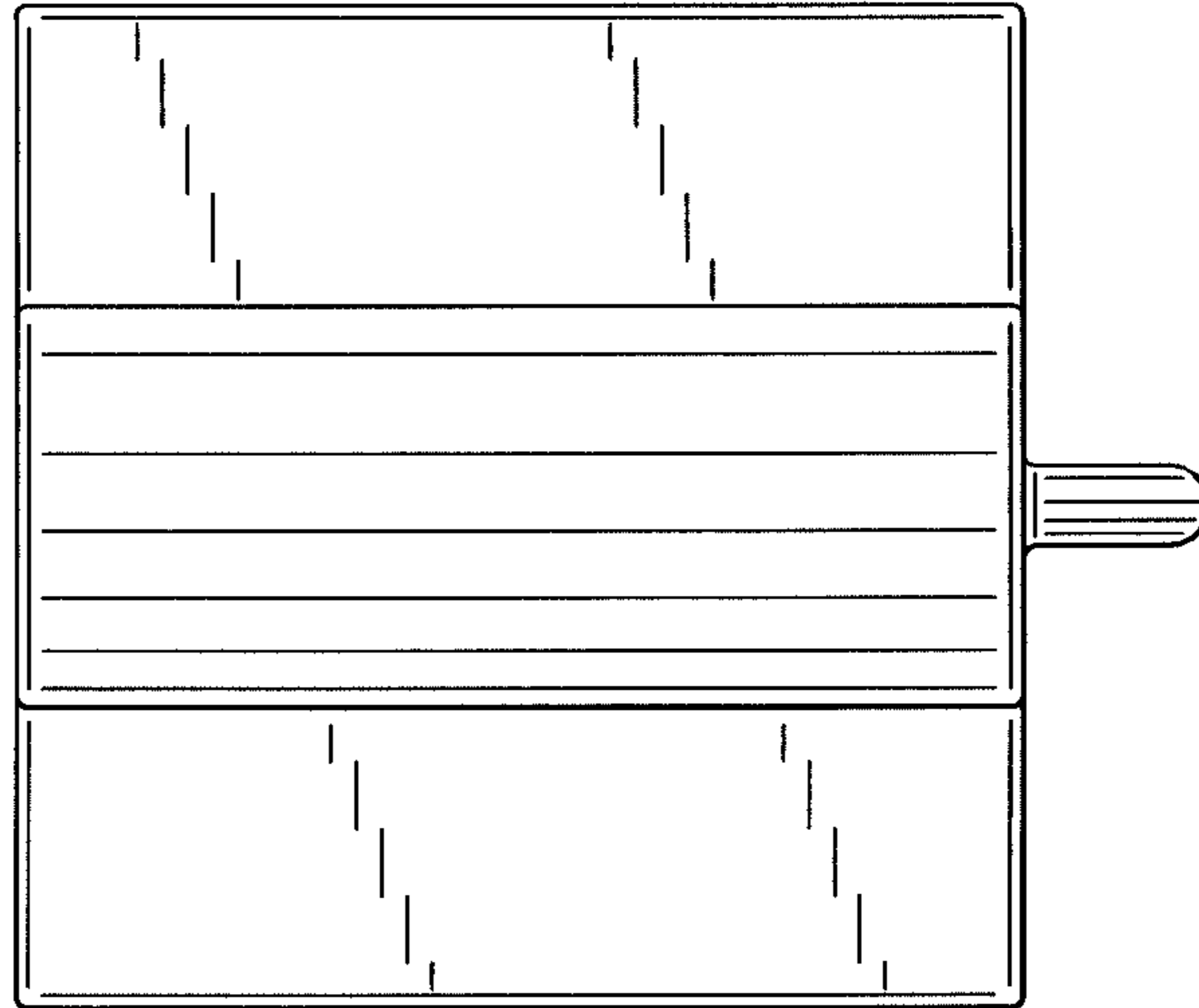


FIG. 6

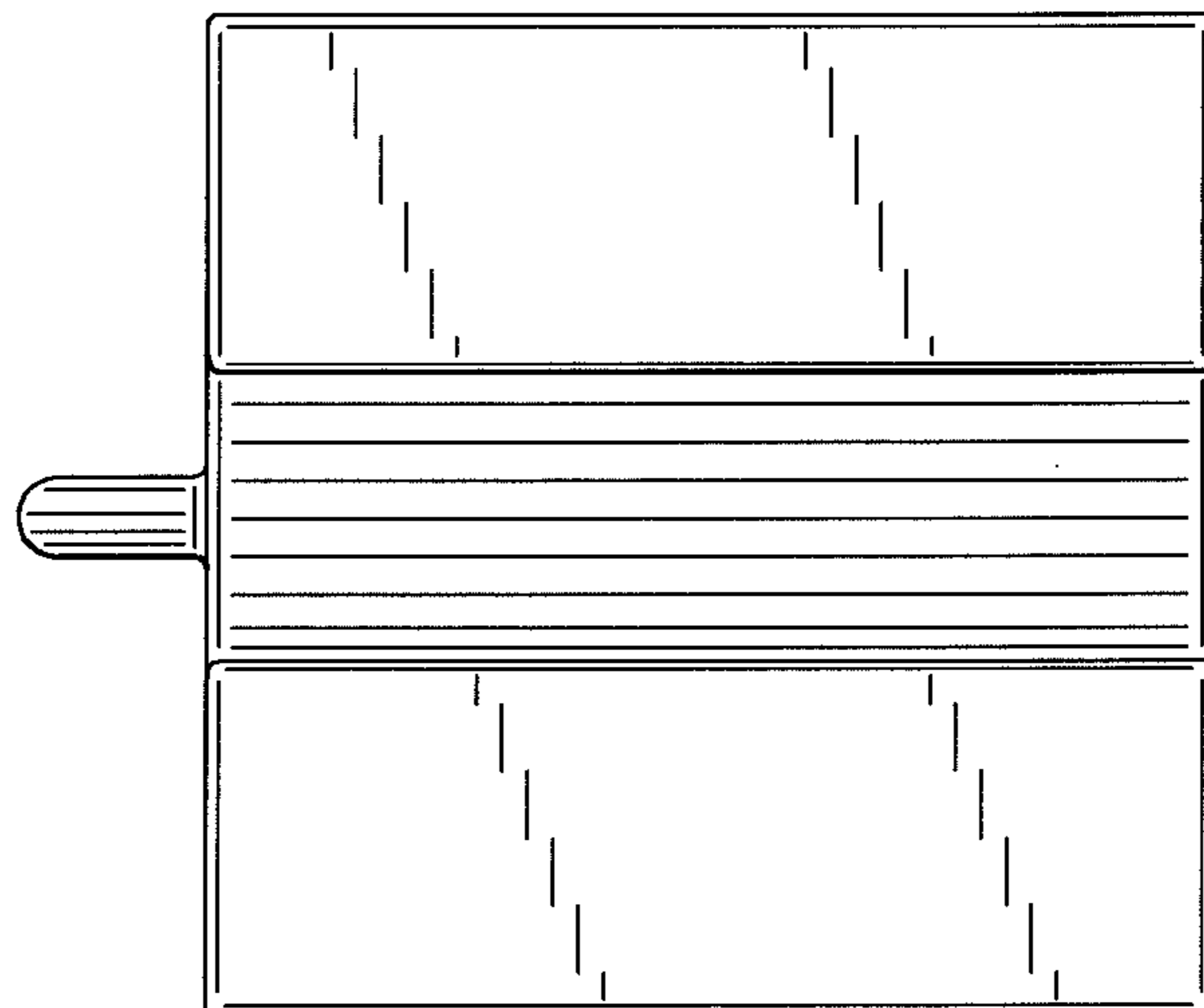


FIG. 7