



US00D715425S

(12) **United States Design Patent**
Oonuma et al.

(10) **Patent No.:** **US D715,425 S**
(45) **Date of Patent:** **** Oct. 14, 2014**

(54) **LIGHT SHIELDING COVER OF A
BIOCHEMICAL ANALYZER**

(71) Applicant: **Hitachi High-Technologies
Corporation, Tokyo (JP)**

(72) Inventors: **Mitsuru Oonuma, Tokyo (JP); Yoko
Sato, Fuchu (JP); Akihito Wakui,
Hitachinaka (JP); Hajime Yamazaki,
Hitachinaka (JP)**

(73) Assignee: **Hitachi High-Technologies
Corporation, Tokyo (JP)**

(**) Term: **14 Years**

(21) Appl. No.: **29/456,759**

(22) Filed: **Jun. 4, 2013**

(30) **Foreign Application Priority Data**

Dec. 6, 2012 (JP) 2012-029877

(51) **LOC (10) Cl.** **24-02**

(52) **U.S. Cl.**
USPC **D24/127; D24/186**

(58) **Field of Classification Search**
USPC D24/216-217, 219, 223-224, 231-233,
D24/107, 111, 127, 169, 186; D10/46, 81;
422/62-65, 67, 70, 81, 500, 506, 561;
436/43, 45, 47; 435/287.1, 287.3

See application file for complete search history.

(56) **References Cited**

U.S. PATENT DOCUMENTS

D339,639 S *	9/1993	Ohnuma et al.	D24/232
D347,696 S *	6/1994	Tominaga	D24/217
D377,455 S *	1/1997	Burchard et al.	D24/232
D640,581 S *	6/2011	Sato et al.	D10/81
D645,367 S *	9/2011	Hayashi et al.	D10/81
D670,400 S *	11/2012	O'Sullivan et al.	D24/216

* cited by examiner

Primary Examiner — Wan Laymon

(74) *Attorney, Agent, or Firm* — Antonelli, Terry, Stout & Kraus, LLP.

(57) **CLAIM**

We claim the ornamental design for a light shielding cover of a biochemical analyzer, as shown and described.

DESCRIPTION

FIG. 1 is a front, top and right side perspective view of a light shielding cover of a biochemical analyzer showing our new design;

FIG. 2 is a front elevational view thereof;

FIG. 3 is a rear elevational view thereof;

FIG. 4 is a left side elevational view thereof;

FIG. 5 is a right side elevational view thereof;

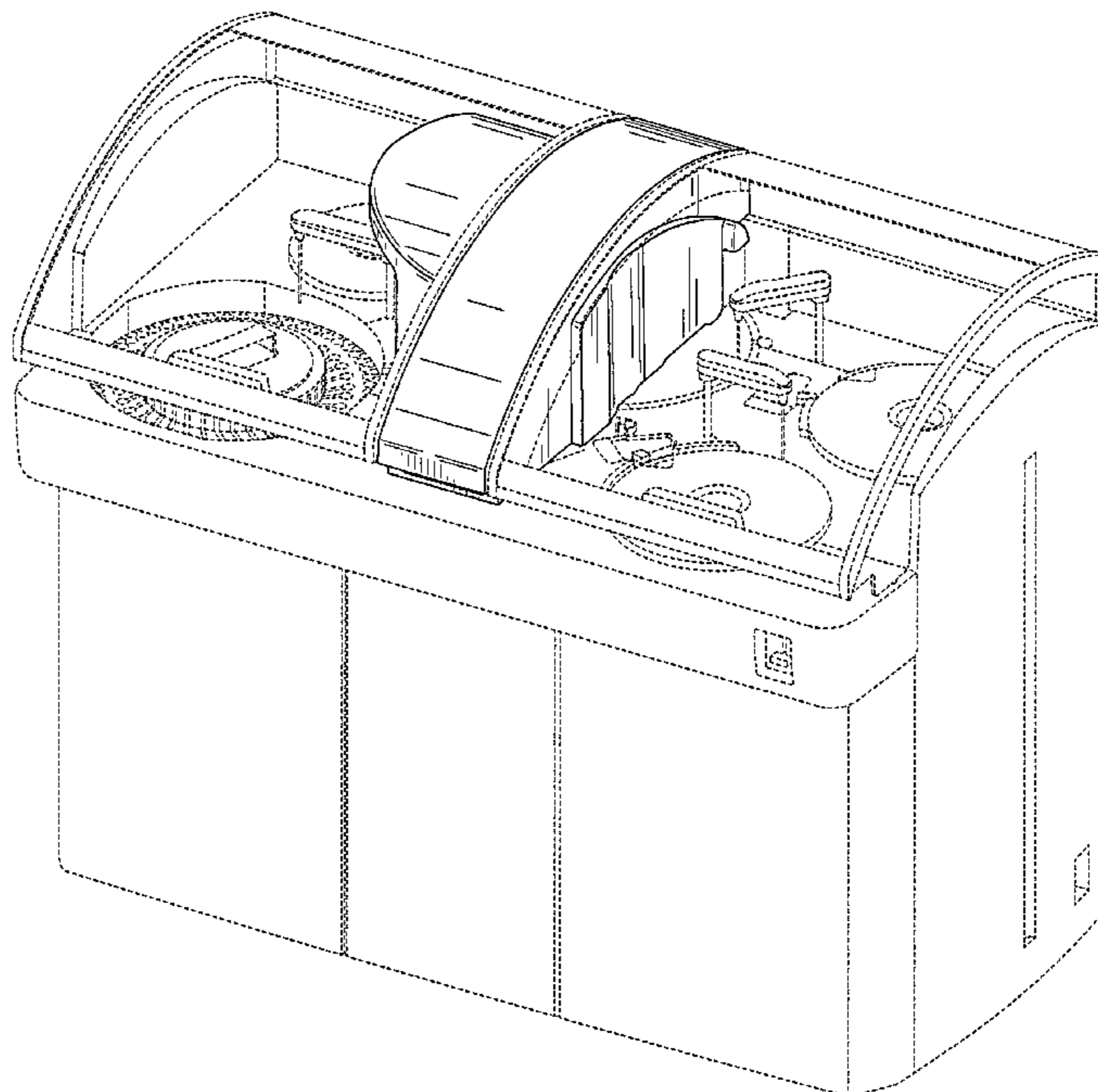
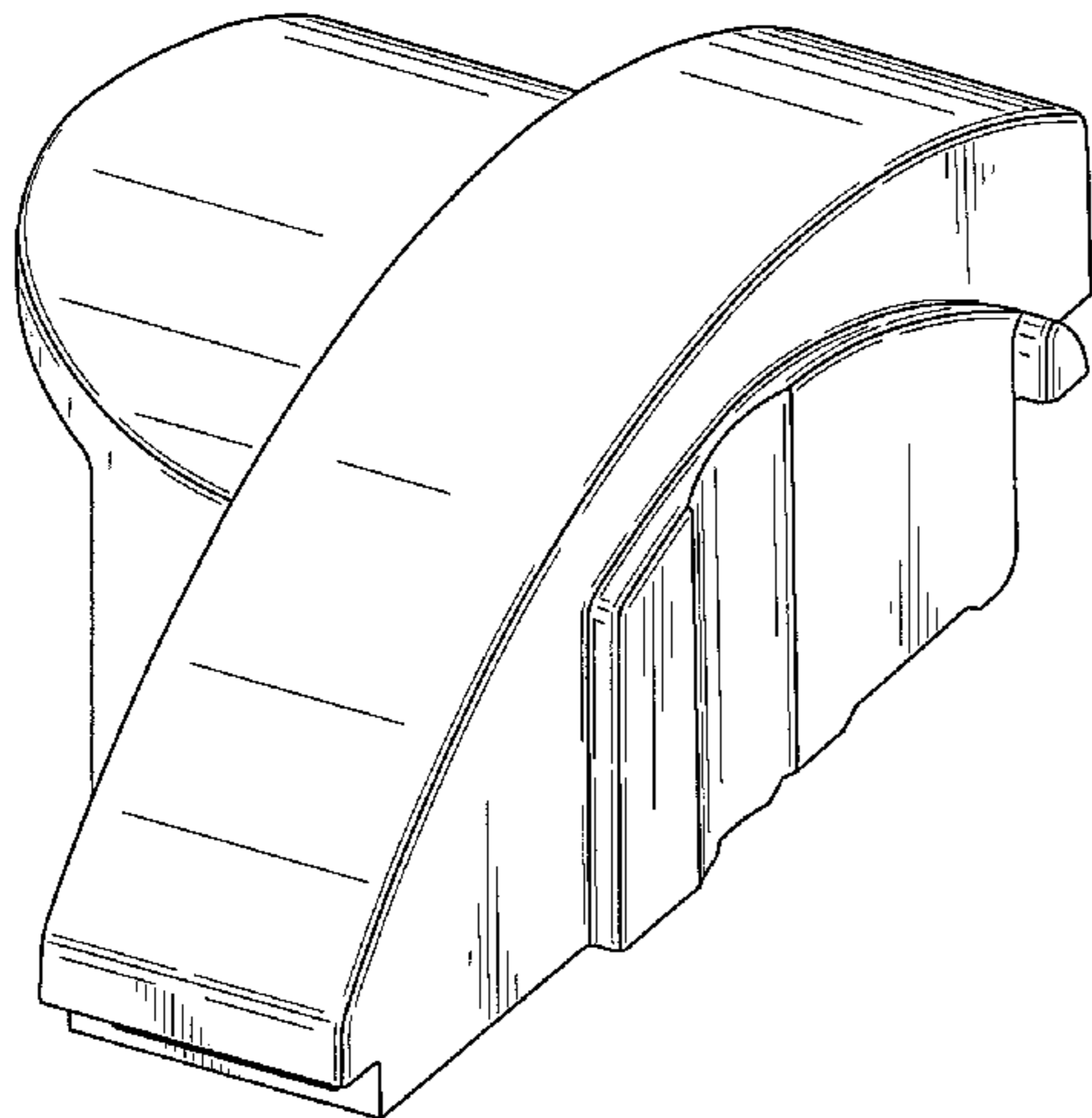
FIG. 6 is a top plan view thereof; and,

FIG. 7 is a bottom plan view thereof; and,

FIG. 8 is an illustrative reference front, top and right side perspective view thereof, showing a using condition.

The broken lines shown in FIG. 8 are included for the purpose of illustrating portions of the light shielding cover of a biochemical analyzer and form no part of the claimed design.

1 Claim, 6 Drawing Sheets



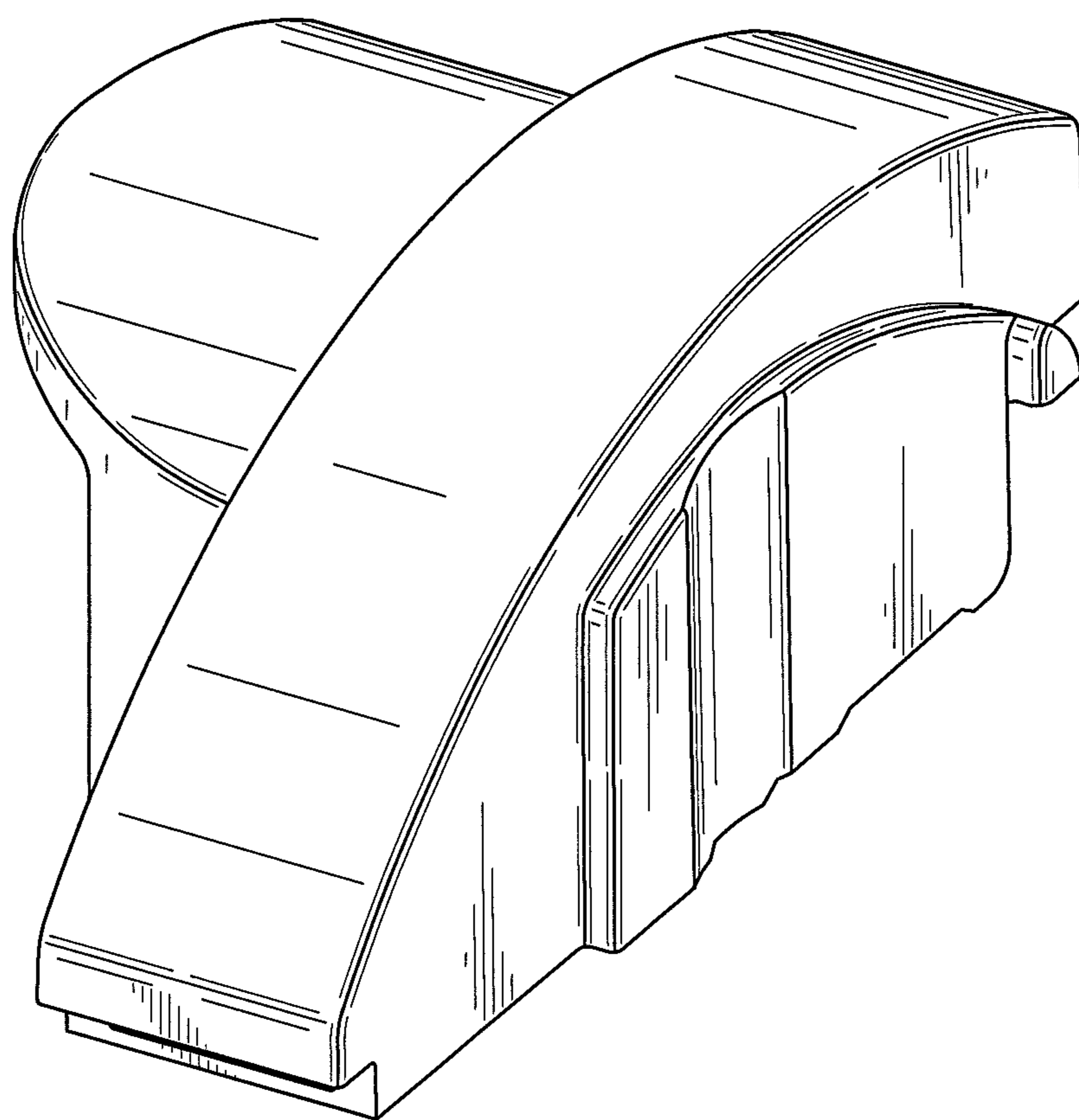


FIG. 1

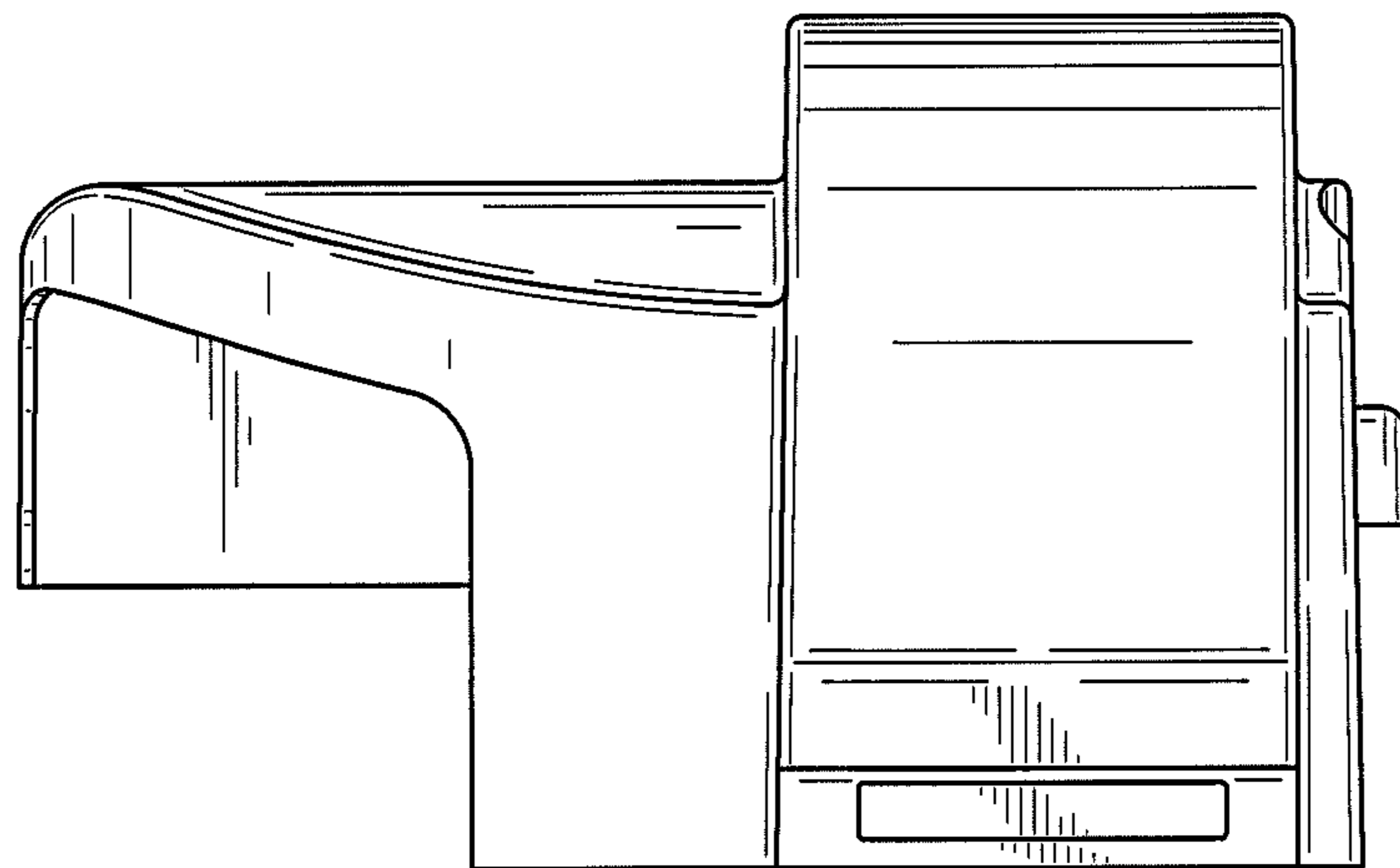


FIG. 2

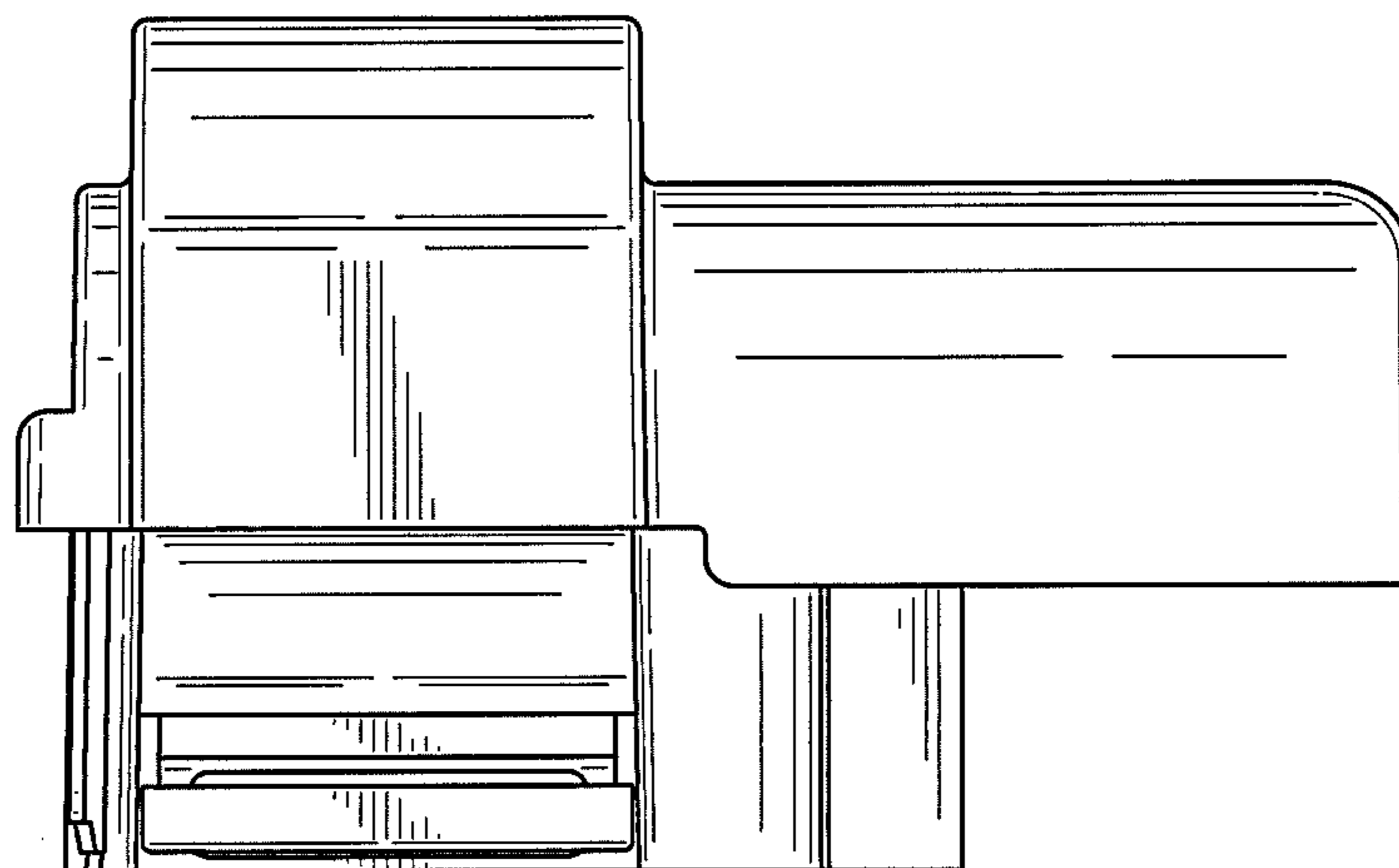


FIG. 3

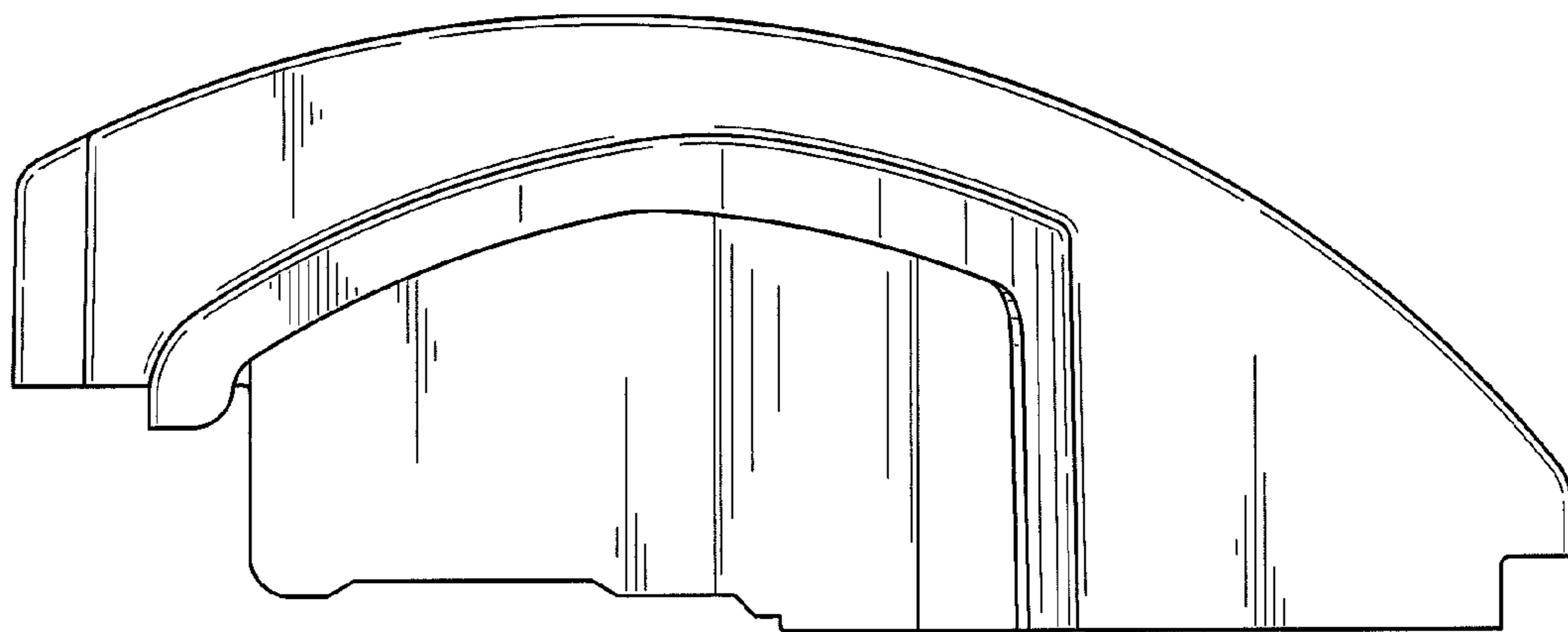


FIG. 4

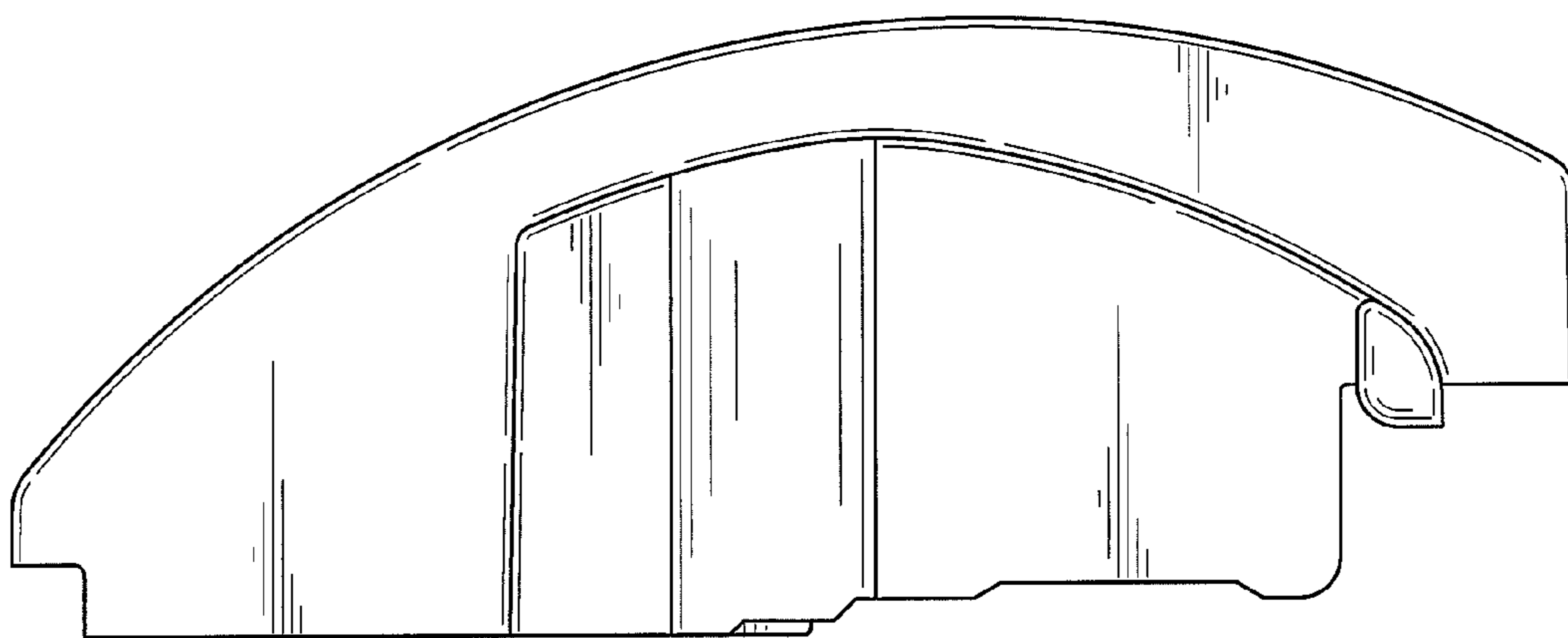


FIG. 5

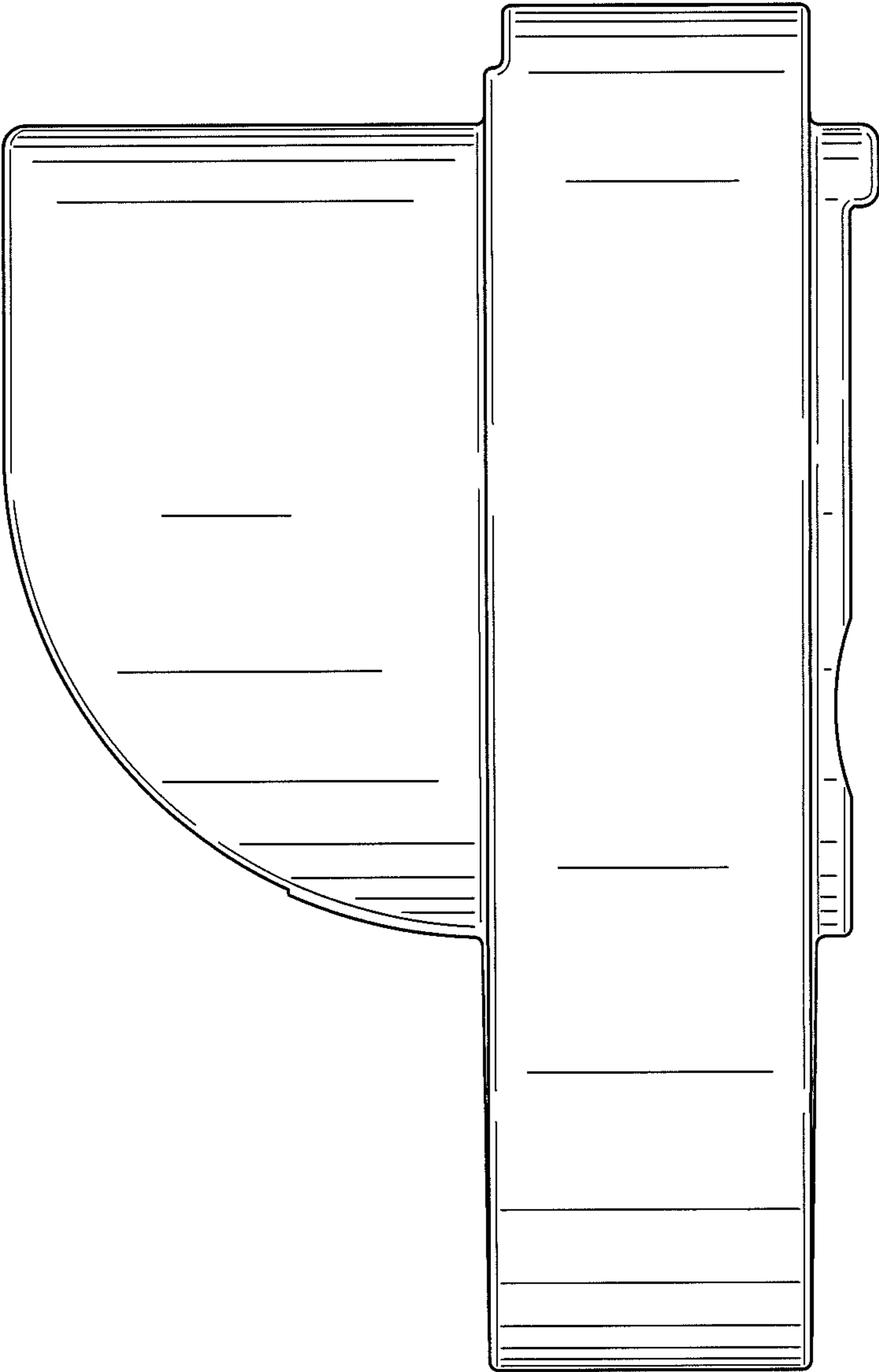


FIG. 6

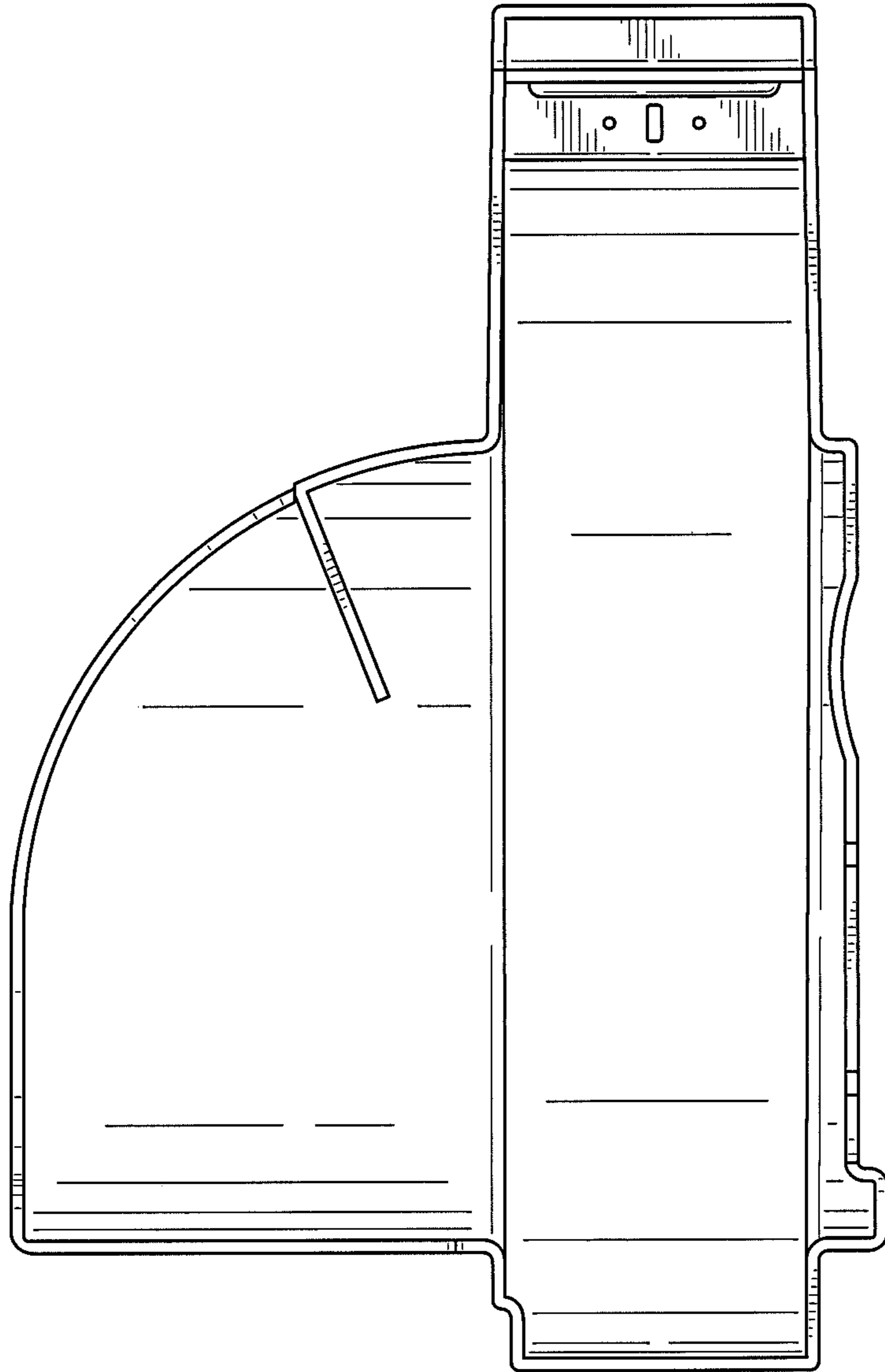


FIG. 7

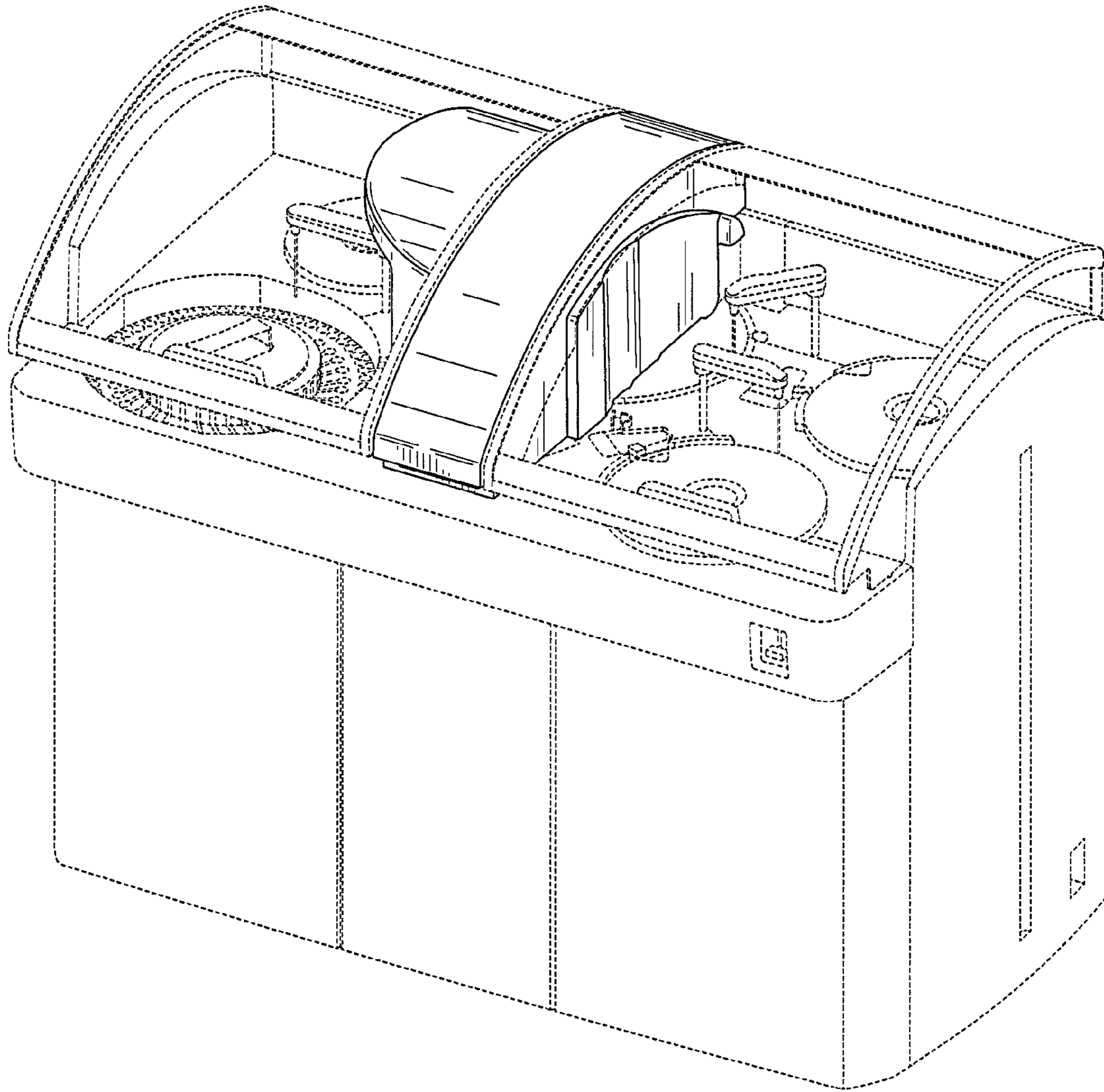


FIG. 8