

US00D715423S

(12) **United States Design Patent**  
**Rogers**

(10) **Patent No.:** **US D715,423 S**

(45) **Date of Patent:** **\*\* Oct. 14, 2014**

(54) **ENERGY GUIDE**

(71) Applicant: **Charles Brian Rogers**, Dunedin, FL  
(US)

(72) Inventor: **Charles Brian Rogers**, Dunedin, FL  
(US)

(73) Assignee: **Rocomp Global, LLC**, Houston, TX  
(US)

(\*\*) Term: **14 Years**

(21) Appl. No.: **29/448,143**

(22) Filed: **Mar. 10, 2013**

(51) **LOC (10) Cl.** ..... **24-02**

(52) **U.S. Cl.**  
USPC ..... **D24/112**

(58) **Field of Classification Search**  
USPC ..... D24/112-114, 130, 127, 133, 186, 108;  
606/181, 185; 604/264, 272, 115,  
604/164.01-164.09, 533, 232, 187, 168.01,  
604/192, 19, 48, 93.01, 523, 524, 526;  
600/101, 139, 143; 128/200.24,  
128/207.14, 207.15

See application file for complete search history.

(56) **References Cited**

**U.S. PATENT DOCUMENTS**

4,326,519 A \* 4/1982 D'Alo et al. .... 604/165.04  
D301,742 S \* 6/1989 Wyzgala et al. .... D24/112  
5,385,554 A \* 1/1995 Brimhall ..... 604/168.01

5,674,201 A \* 10/1997 Steinman ..... 604/165.03  
D433,503 S \* 11/2000 Powers et al. .... D24/112  
D451,999 S \* 12/2001 Crawford et al. .... D24/112  
D465,571 S \* 11/2002 Niermann et al. .... D24/130  
D471,979 S \* 3/2003 Wilkinson et al. .... D24/130  
D475,783 S \* 6/2003 Swenson ..... D24/130  
6,629,956 B1 \* 10/2003 Polidoro et al. .... 604/164.01  
6,974,444 B2 \* 12/2005 Von Teichert ..... 604/164.08  
D686,316 S \* 7/2013 Baid ..... D24/112  
D687,547 S \* 8/2013 Wang ..... D24/130

\* cited by examiner

*Primary Examiner* — David Muller

(74) *Attorney, Agent, or Firm* — The Compton Law Firm,  
P.C.; Scott D. Compton

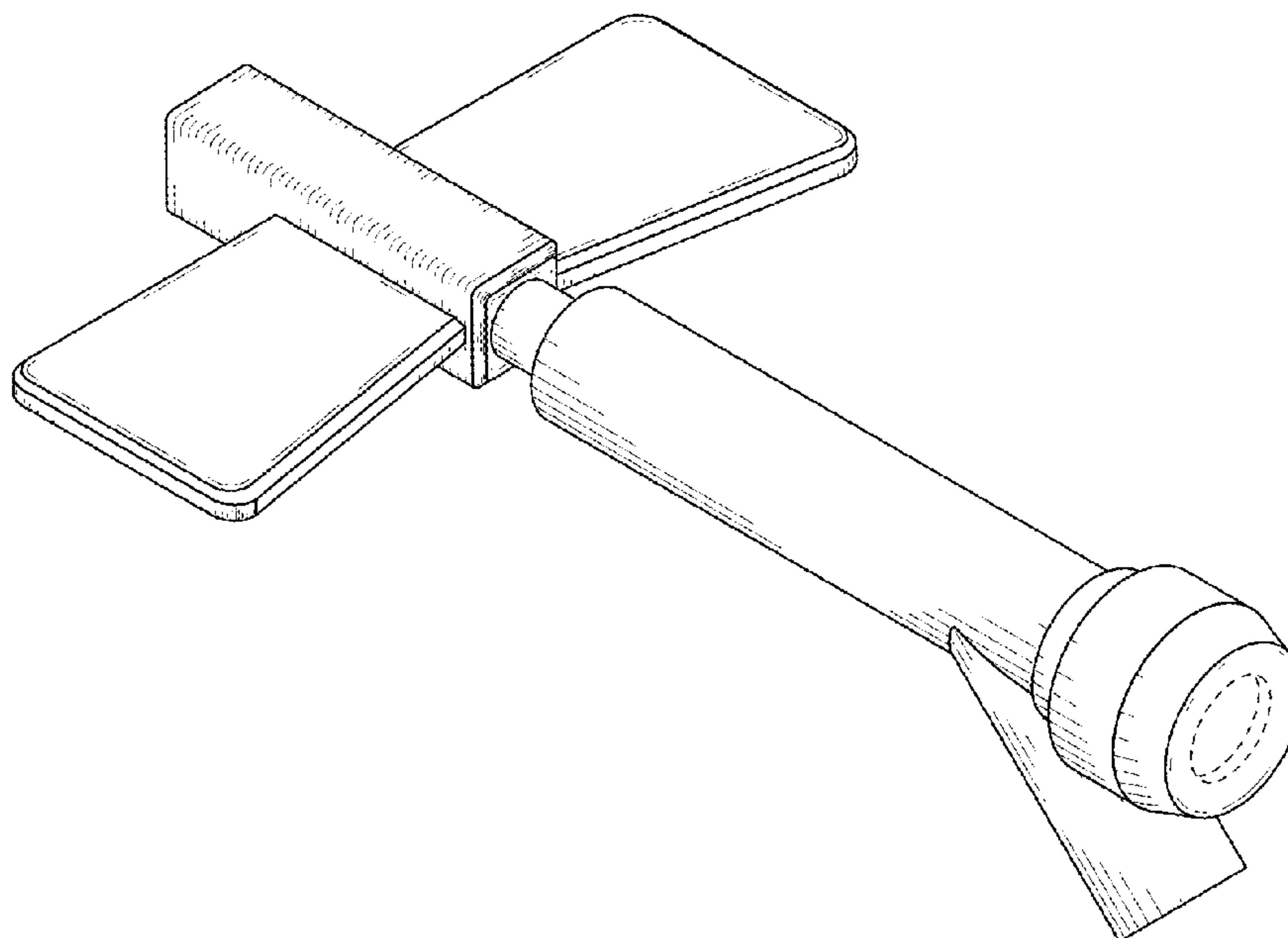
(57) **CLAIM**

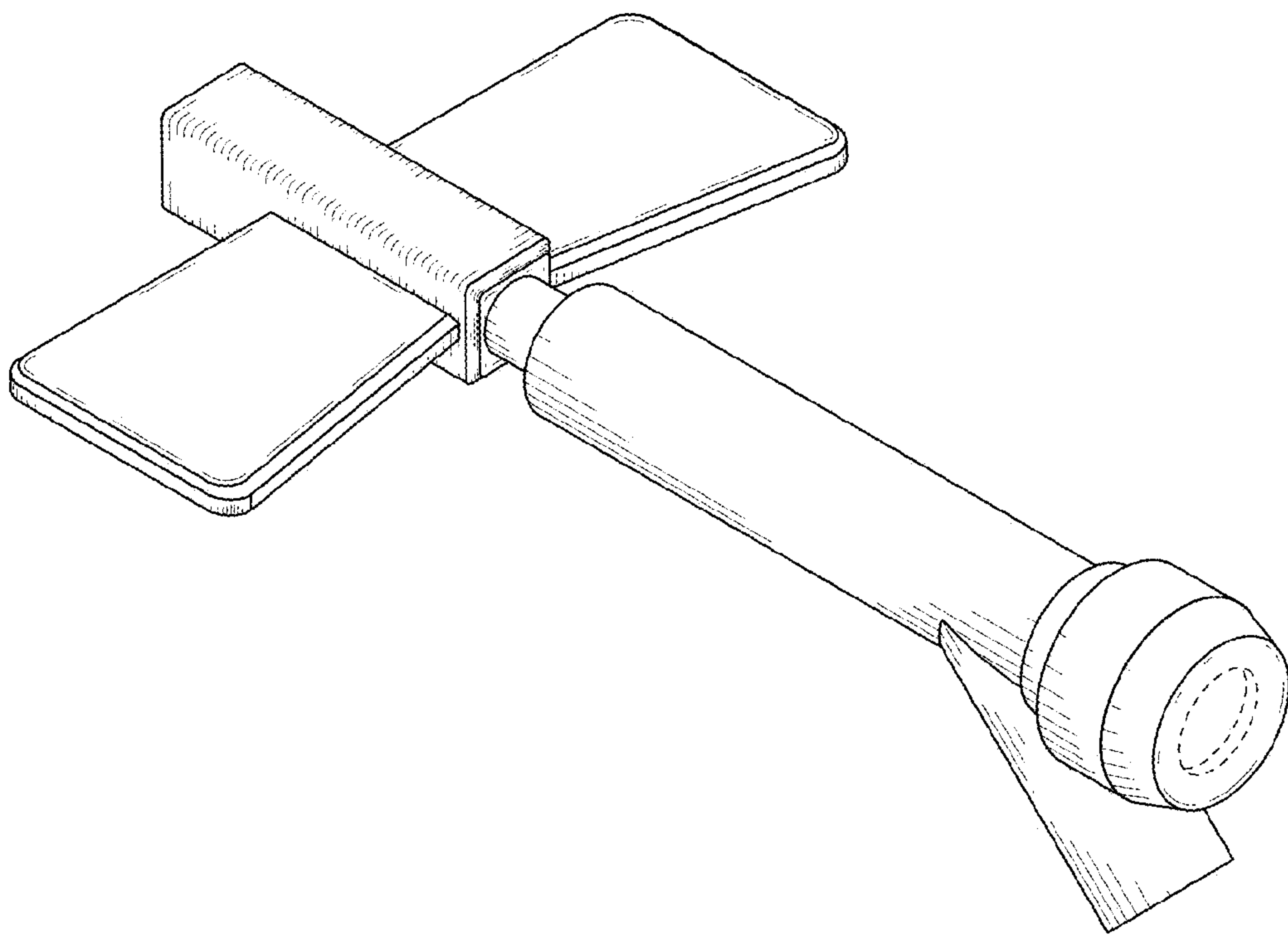
The ornamental design for an energy guide, as shown and described.

**DESCRIPTION**

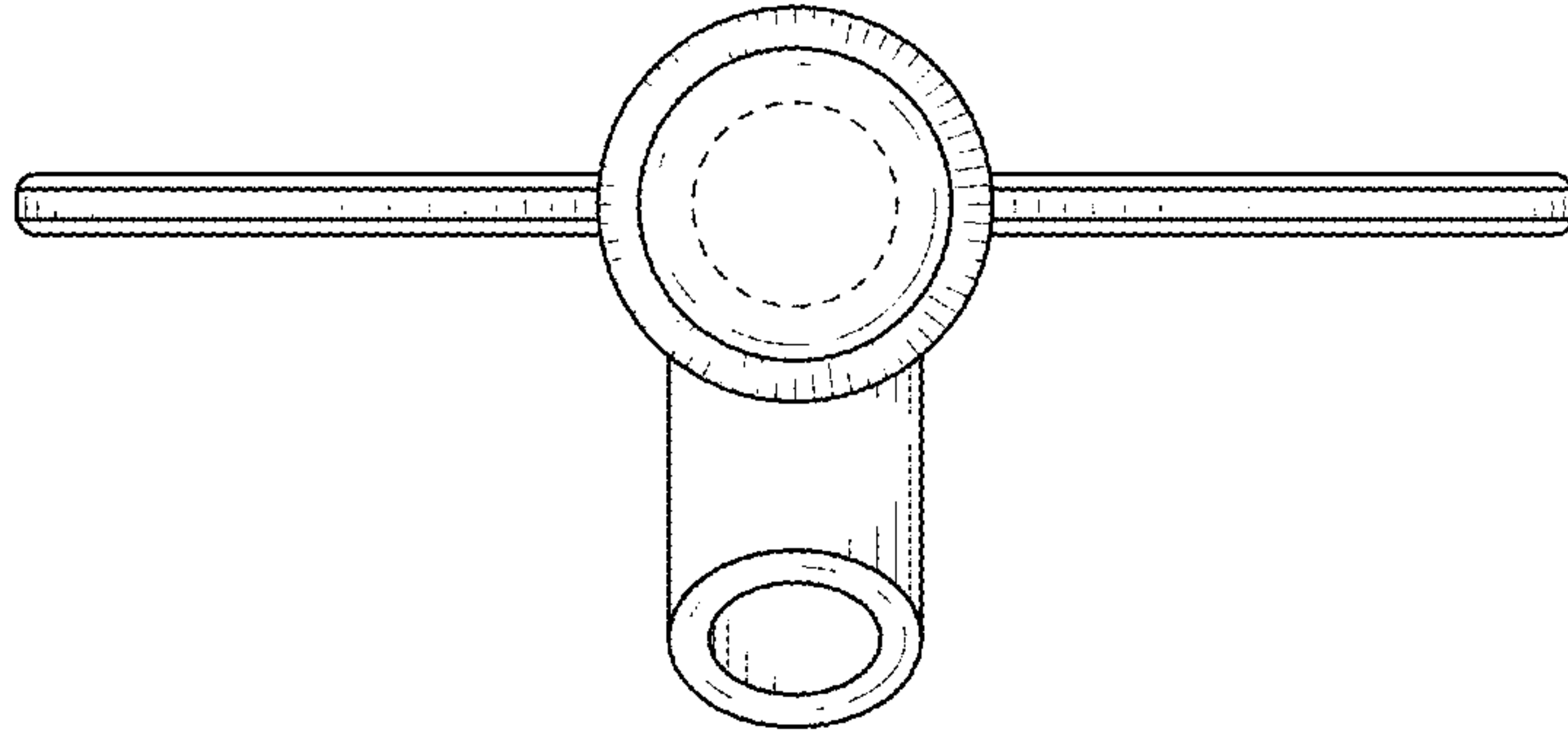
FIG. 1 is a perspective view of an energy guide showing my new design;  
FIG. 2 is a back view of the same;  
FIG. 3 is a front view of the same;  
FIG. 4 is a top view of the same;  
FIG. 5 is a bottom view of the same;  
FIG. 6 is a left side view of the same;  
FIG. 7 is a right side view of the same; and,  
FIG. 8 is a perspective view of the same.  
The broken lines, including the broken lines depicting the energy source, fluid source, conduits of each, tape and the individual's arm, are shown for environmental purposes only and form no part of the claimed design.

**1 Claim, 5 Drawing Sheets**

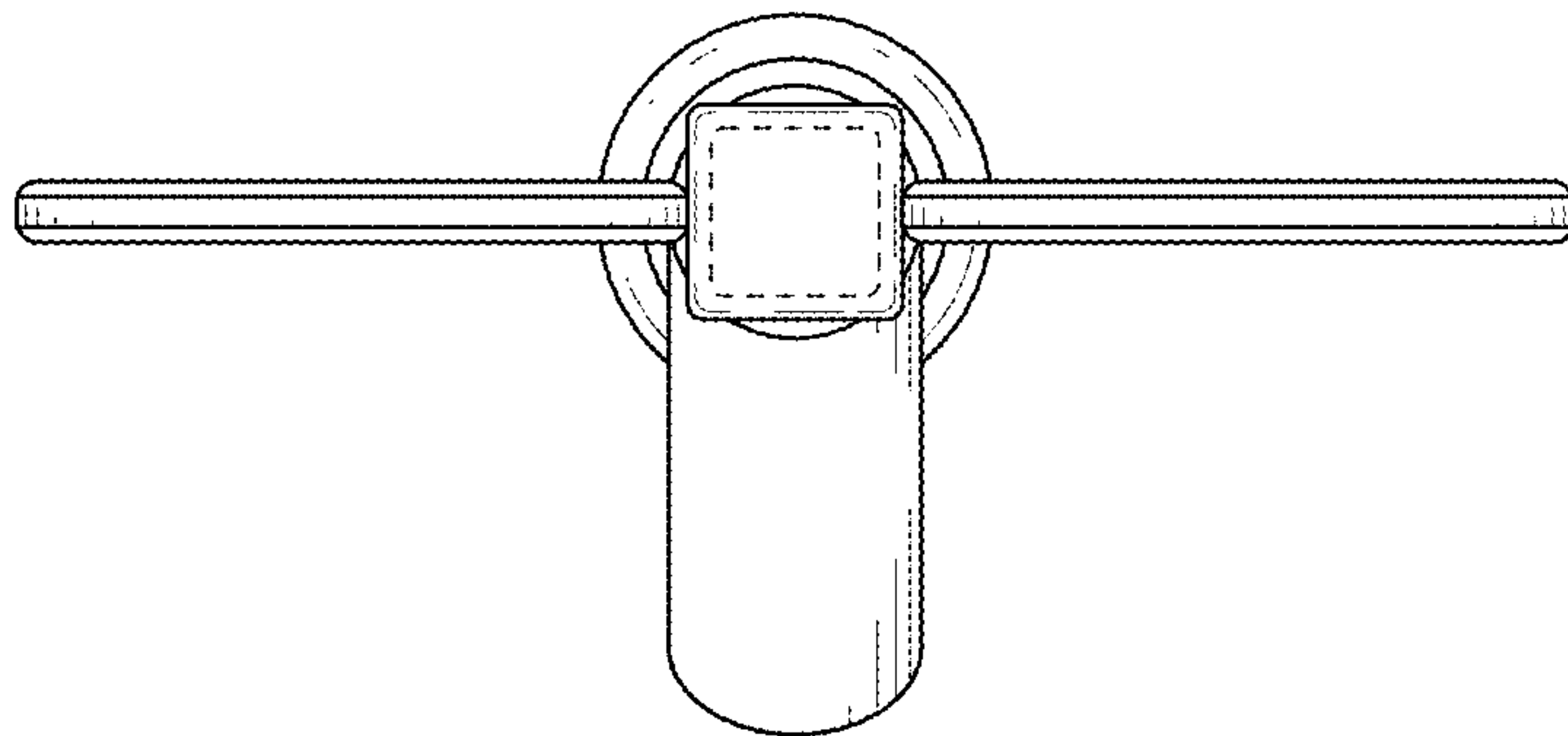




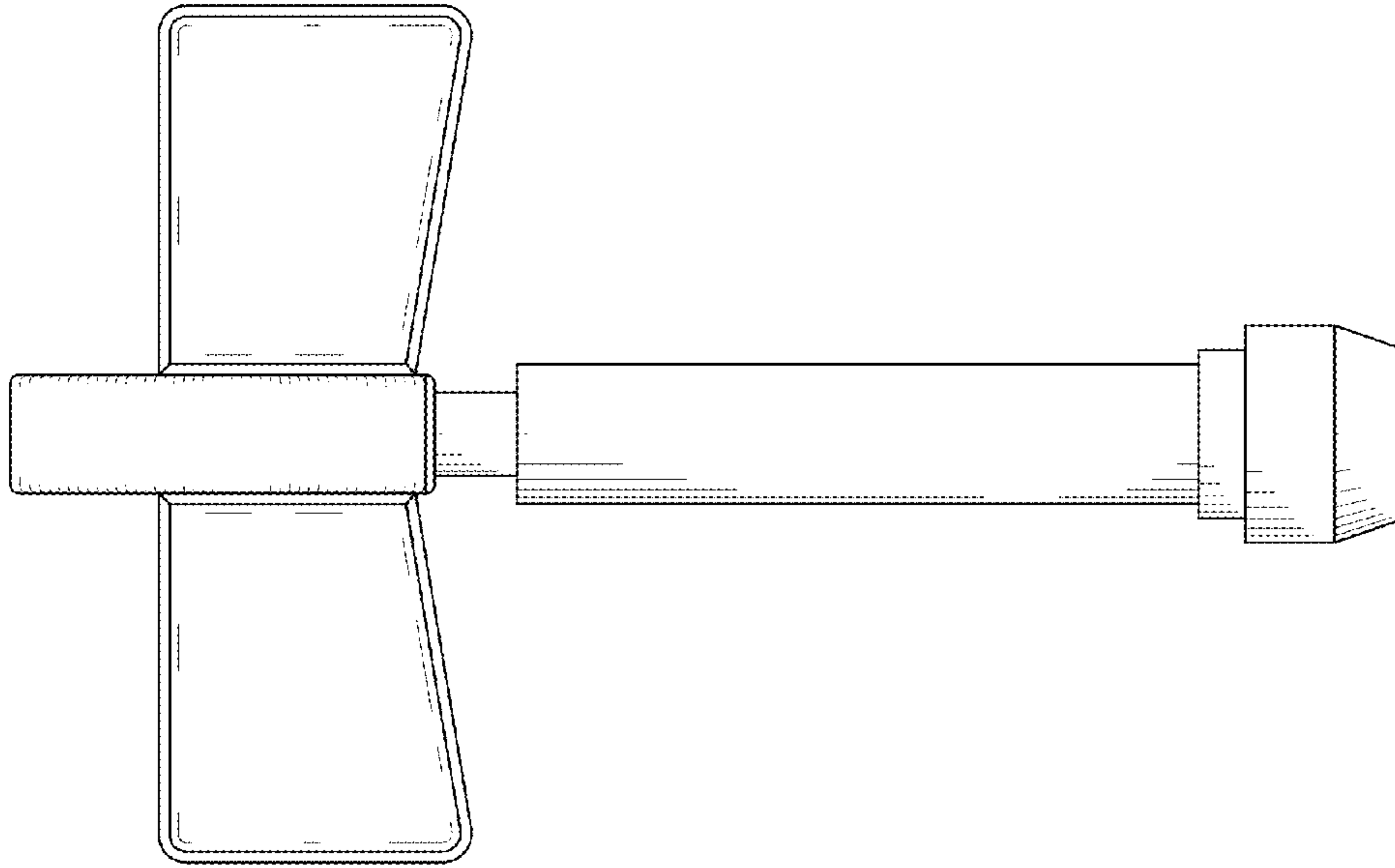
**FIG. 1**



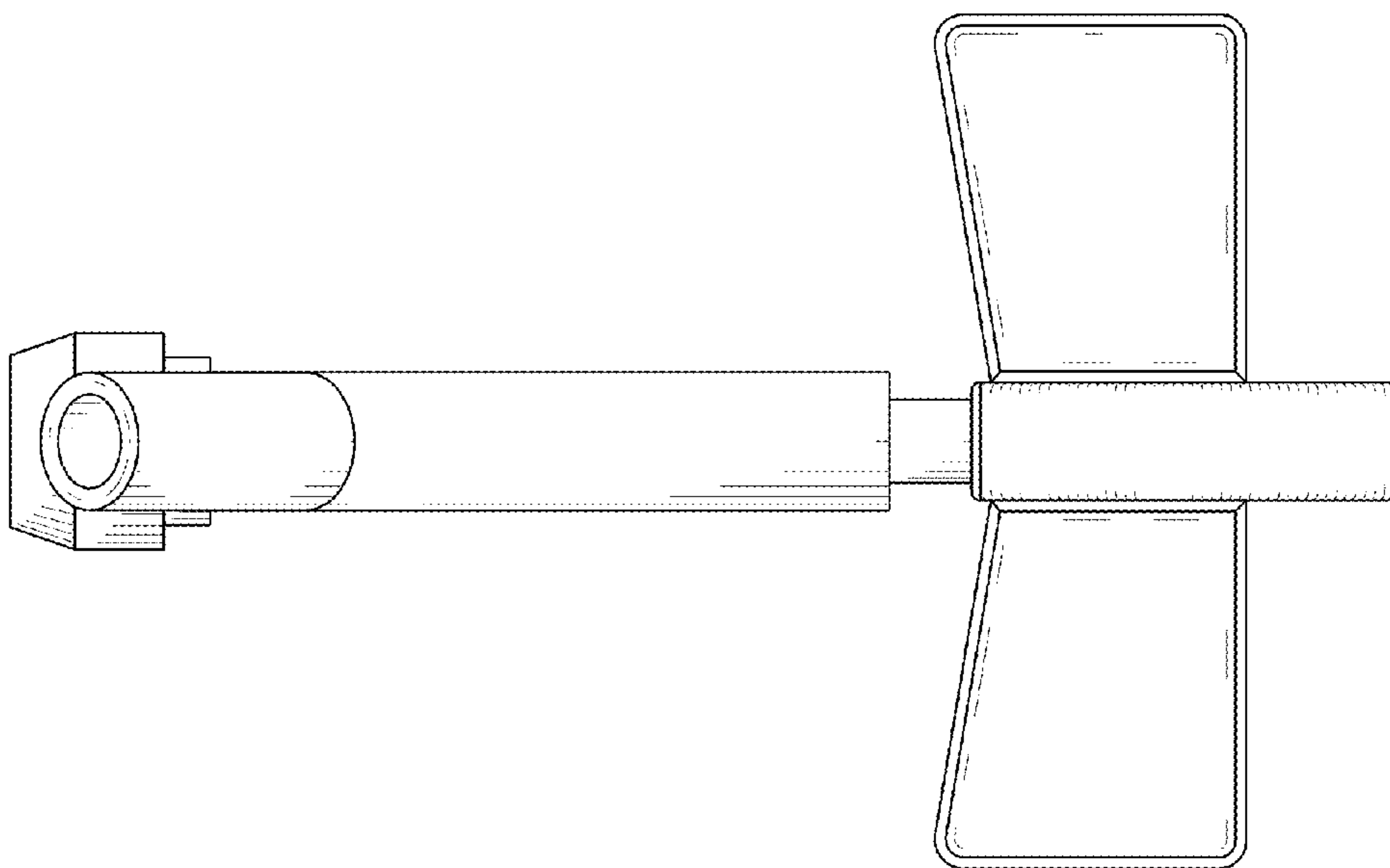
**FIG. 2**



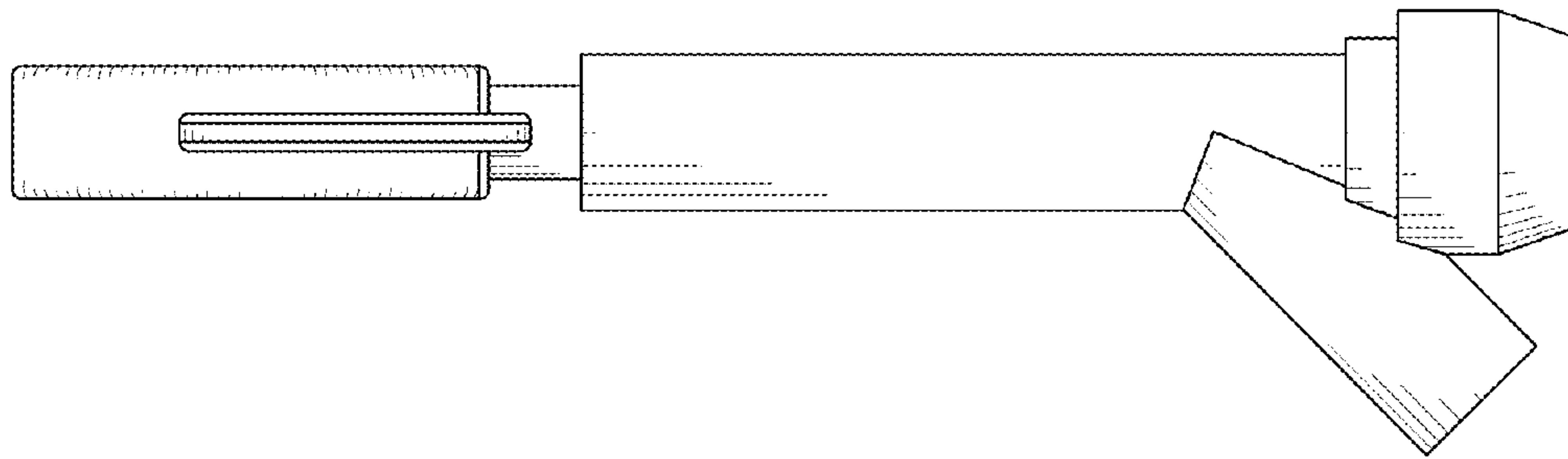
**FIG. 3**



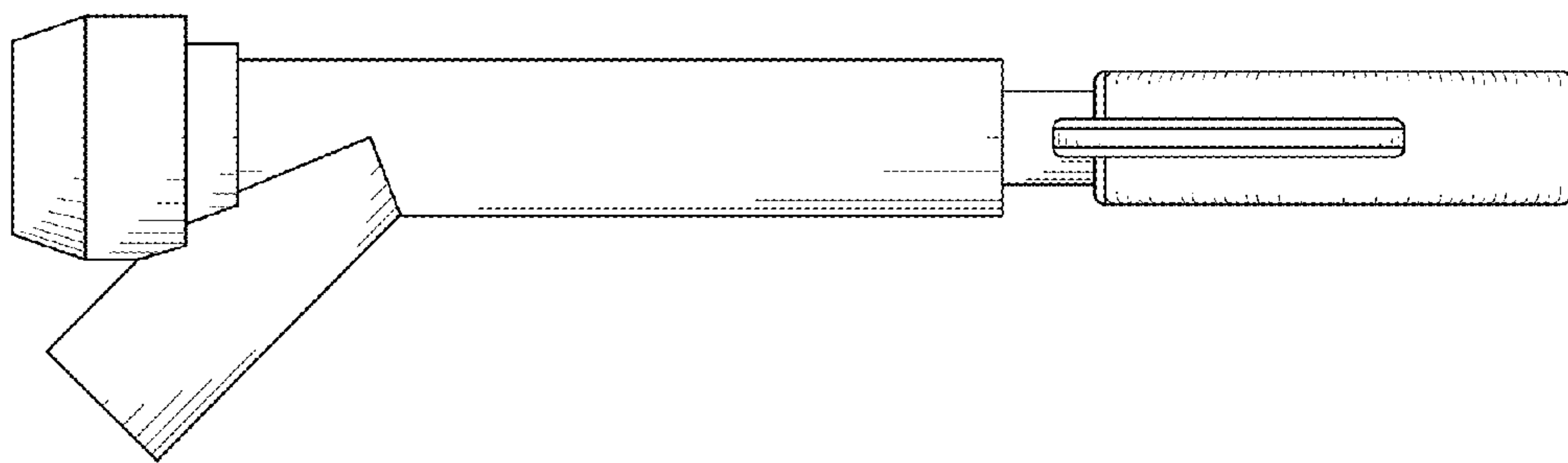
**FIG. 4**



**FIG. 5**



**FIG. 6**



**FIG. 7**

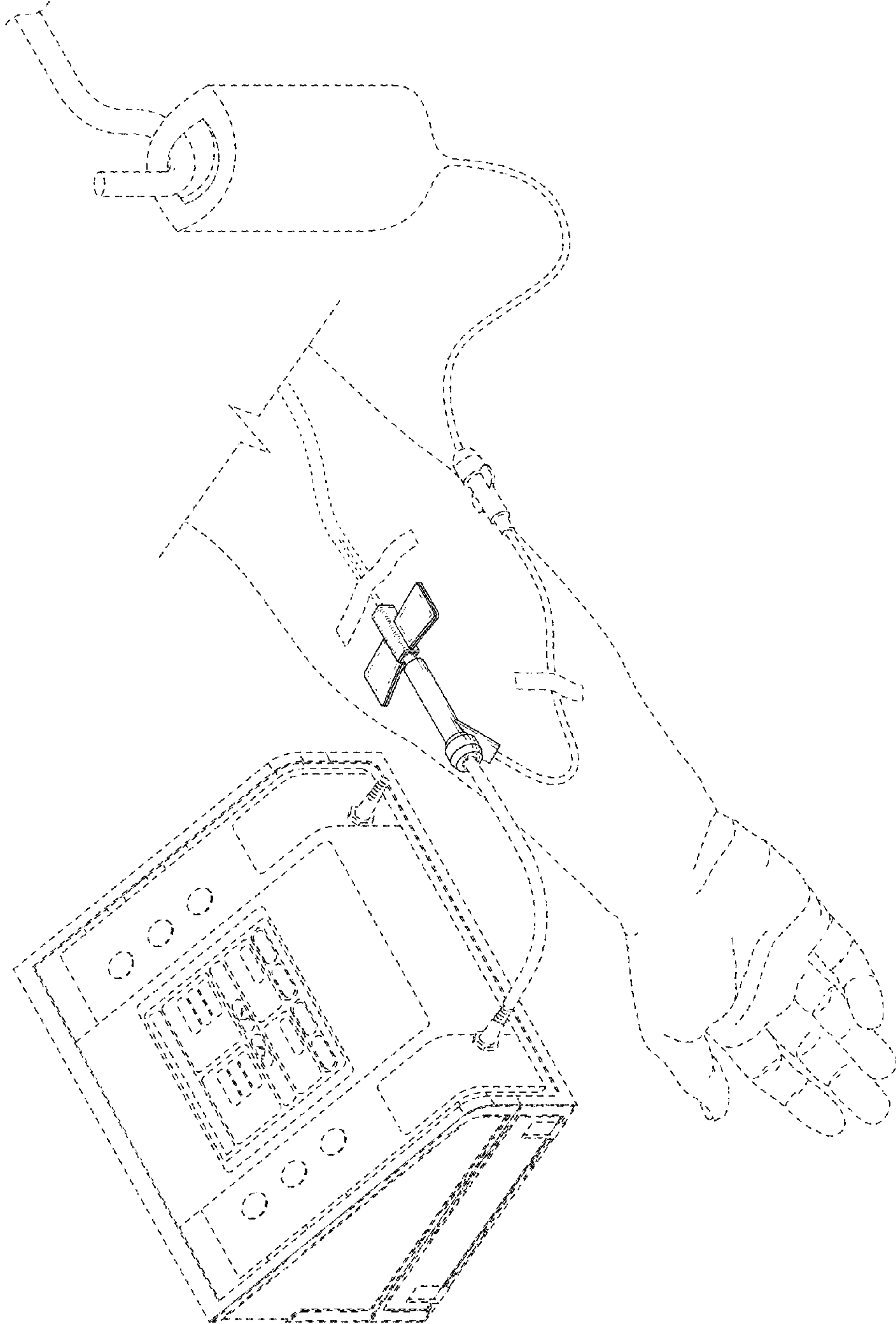


FIG. 8