



US00D715422S

(12) **United States Design Patent**  
**Hall et al.**

(10) **Patent No.:** **US D715,422 S**

(45) **Date of Patent:** **\*\* Oct. 14, 2014**

(54) **AUTOMATIC INJECTION DEVICE**

(74) *Attorney, Agent, or Firm* — McCarter & English, LLP

(75) Inventors: **Ryan Hall**, Clinton, MA (US); **Sean Phillips**, Lancaster, MA (US); **Charles Sears**, Boxford, MA (US); **Bonnie Jean Smelser**, Somers, NY (US); **Holly Owens**, Cary, NC (US)

(57) **CLAIM**

The ornamental design for an automatic injection device, as shown and described.

(73) Assignees: **Salix Pharmaceuticals, Ltd.**, Raleigh, NC (US); **Radius Product Development, Inc.**, Clinton, MA (US); **Progenics Pharmaceuticals, Inc.**, Tarrytown, NY (US)

**DESCRIPTION**

The patent or application file contains at least one drawing executed in color. Copies of this patent or patent application publication with color drawing(s) will be provided by the Office upon request and payment of the necessary fee.

FIG. 1 is a front perspective view of the automatic injection device of the claimed design with the removable cap on.

FIG. 2 is a front elevational view of the automatic injection device with the removable cap on.

FIG. 3 is a rear elevational view of the automatic injection device with the removable cap on.

FIG. 4 is a right side elevational view of the automatic injection device with the removable cap on.

FIG. 5 is a left side elevational view of the automatic injection device with the removable cap on.

FIG. 6 is a top plan view of the automatic injection device with the removable cap on.

FIG. 7 is a bottom plan view of the automatic injection device with the removable cap on.

FIG. 8 is a front perspective view of the automatic injection device with the removable cap off showing the design.

FIG. 9 is a front elevational view of the automatic injection device with the removable cap off.

FIG. 10 is a rear elevational view of the automatic injection device with the removable cap off.

FIG. 11 is a right side elevational view of the automatic injection device with the removable cap off.

FIG. 12 is a left side elevational view of the automatic injection device with the removable cap off.

FIG. 13 is a top plan view of the automatic injection device with the removable cap off; and,

FIG. 14 is a bottom plan view of the automatic injection device with the removable cap off.

(\*\*) Term: **14 Years**

(21) Appl. No.: **29/422,358**

(22) Filed: **May 18, 2012**

(51) **LOC (10) Cl.** ..... **24-02**

(52) **U.S. Cl.**  
USPC ..... **D24/112**

(58) **Field of Classification Search**  
CPC ..... A61M 5/20; A61M 5/24; A61M 5/2033;  
A61M 2005/2073  
USPC ..... D24/107, 108, 112, 113; 604/19, 48,  
604/93.01, 181, 187, 192, 194, 197, 198  
See application file for complete search history.

(56) **References Cited**

**U.S. PATENT DOCUMENTS**

5,665,071 A \* 9/1997 Wyrick ..... 604/134  
D623,732 S \* 9/2010 Brady et al. .... D24/113

(Continued)

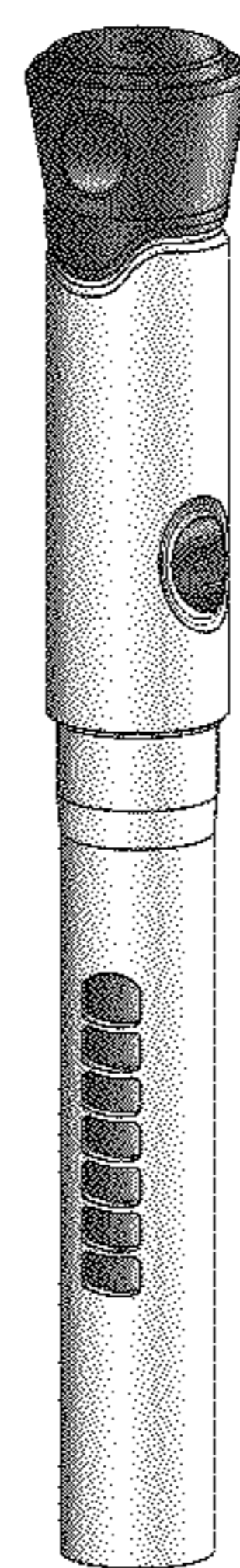
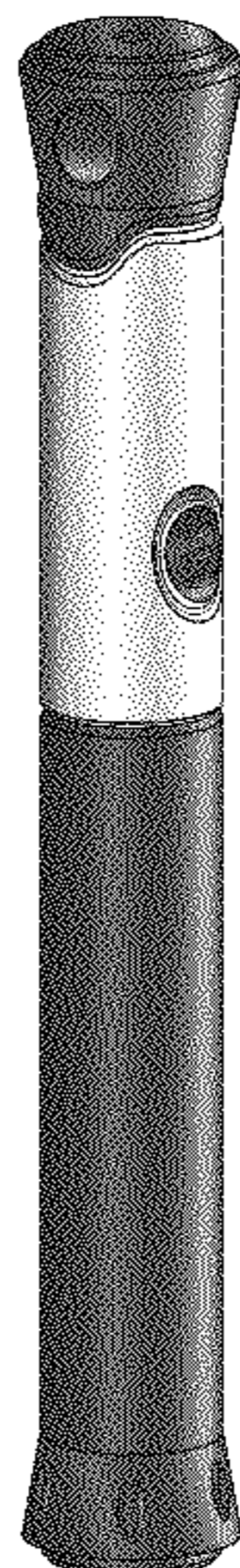
**FOREIGN PATENT DOCUMENTS**

WO 2013/007393 A1 1/2013

*Primary Examiner* — Deanna L Pratt

*Assistant Examiner* — Ieisha Price

**1 Claim, 6 Drawing Sheets**  
**(6 of 6 Drawing Sheet(s) Filed in Color)**



(56)

**References Cited**

U.S. PATENT DOCUMENTS

D651,305 S *	12/2011	Hawley et al. ....	D24/113	D696,773 S *	12/2013	Schneider et al. ....	D24/113
D652,136 S *	1/2012	Hawley et al. ....	D24/113	D703,314 S *	4/2014	Schneider et al. ....	D24/113
D676,957 S *	2/2013	Schneider et al. ....	D24/113	2009/0124981 A1 *	5/2009	Evans .....	604/197
8,409,149 B2 *	4/2013	Hommann et al. ....	604/198	2010/0152659 A1 *	6/2010	Streit et al. ....	604/136
D696,771 S *	12/2013	Schneider et al. ....	D24/113	2011/0034878 A1 *	2/2011	Radmer et al. ....	604/192
				2012/0184917 A1 *	7/2012	Bom et al. ....	604/187
				2013/0046249 A1 *	2/2013	Cowe .....	604/211
				2013/0218094 A1 *	8/2013	Hommann et al. ....	604/198

\* cited by examiner

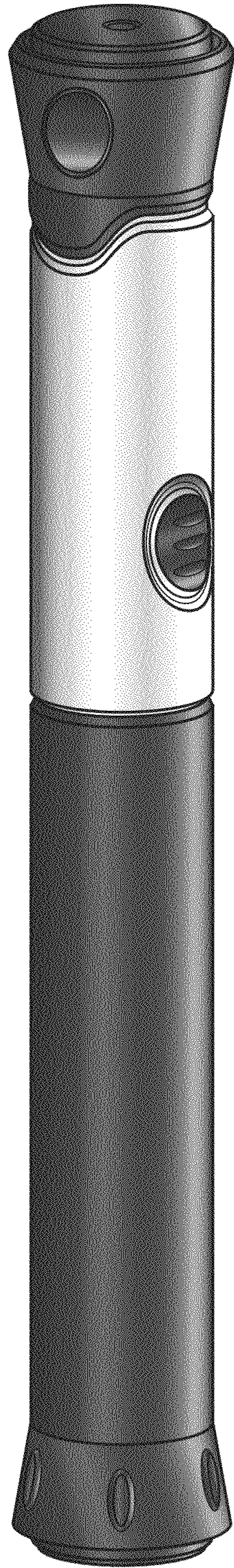


FIG. 1

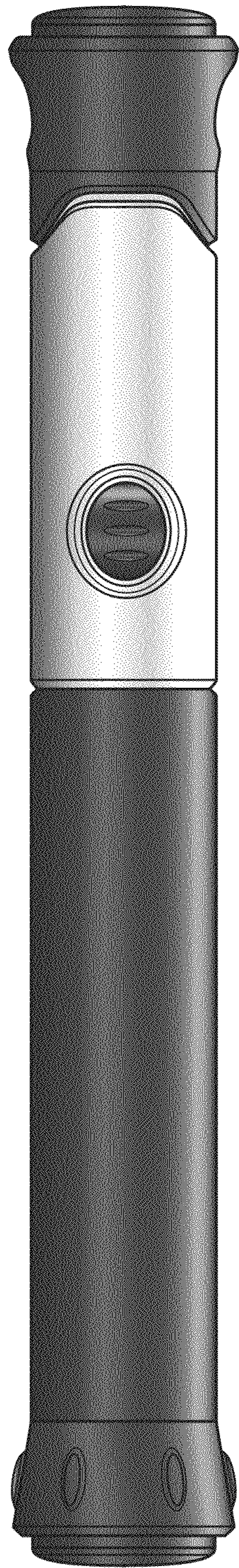


FIG. 2

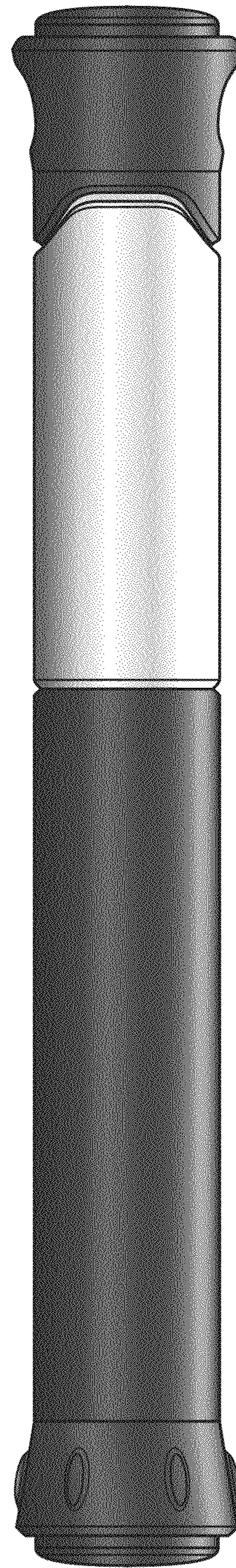


FIG. 3

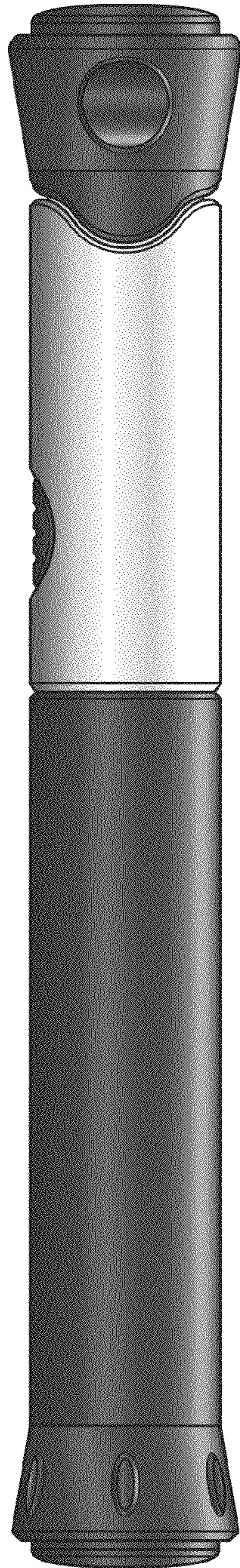


FIG. 4

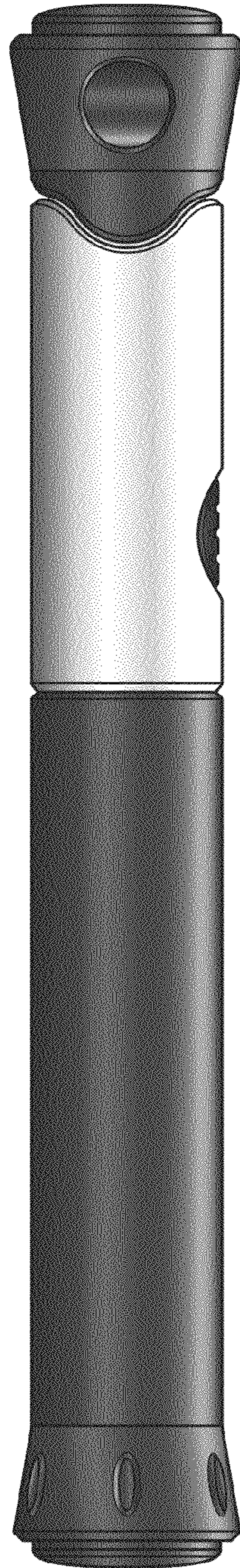


FIG. 5

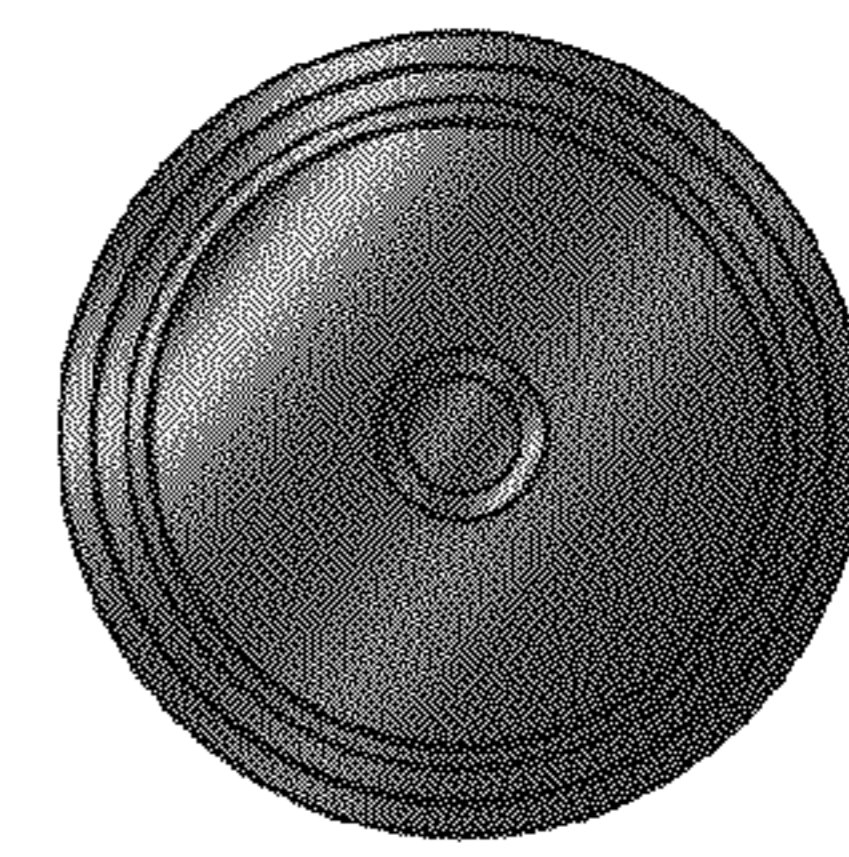


FIG. 6

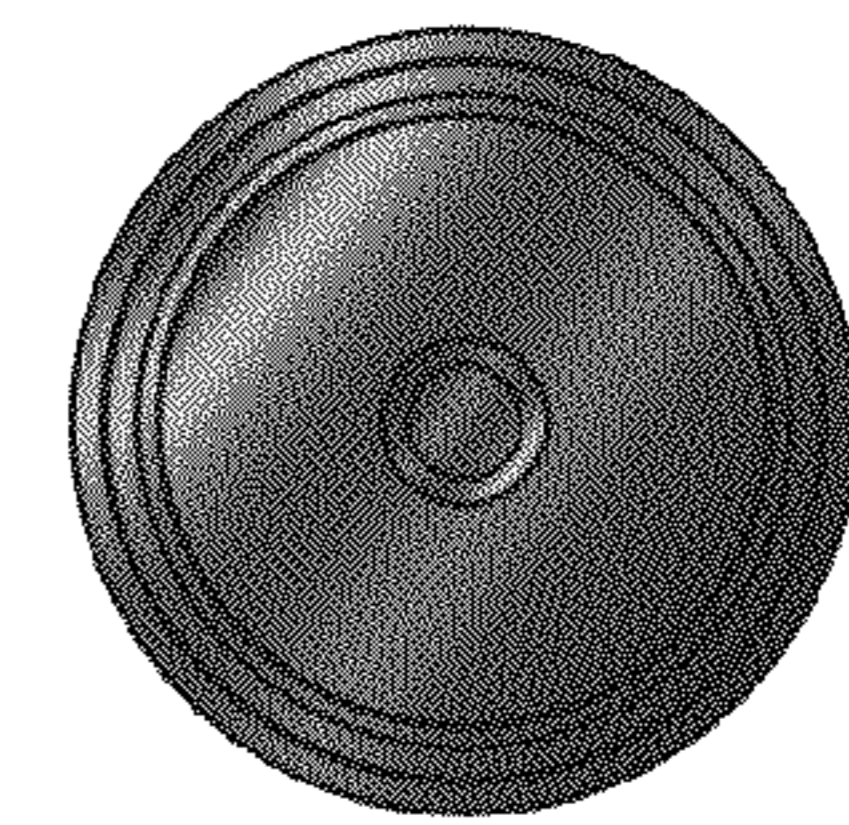


FIG. 7

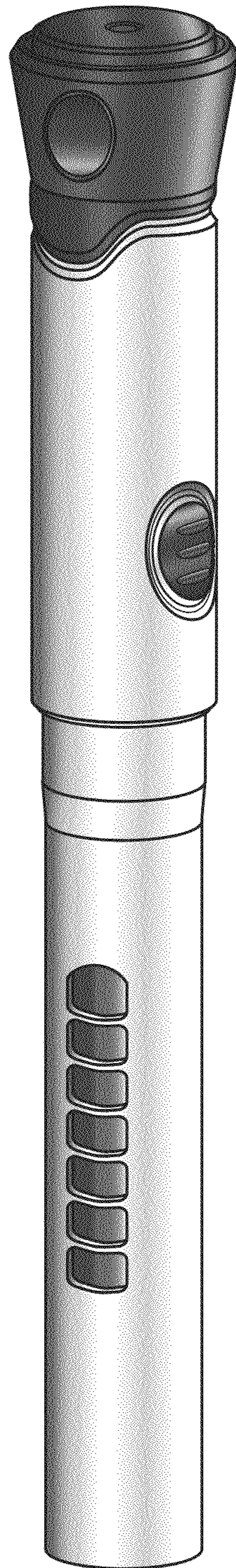


FIG. 8

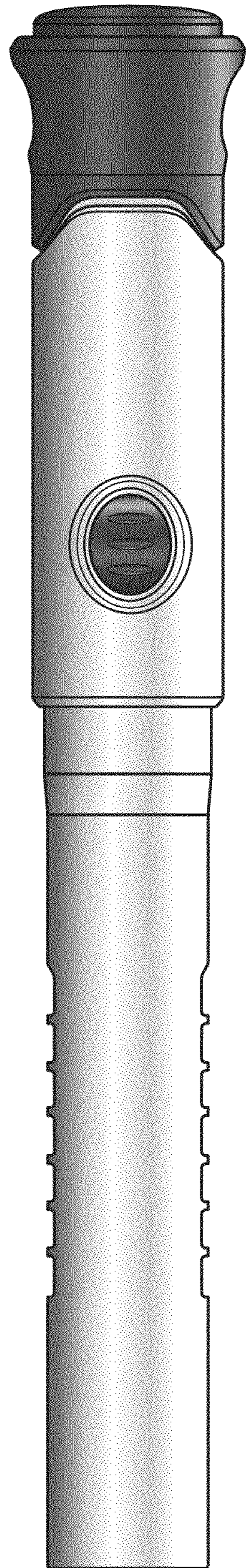


FIG. 9

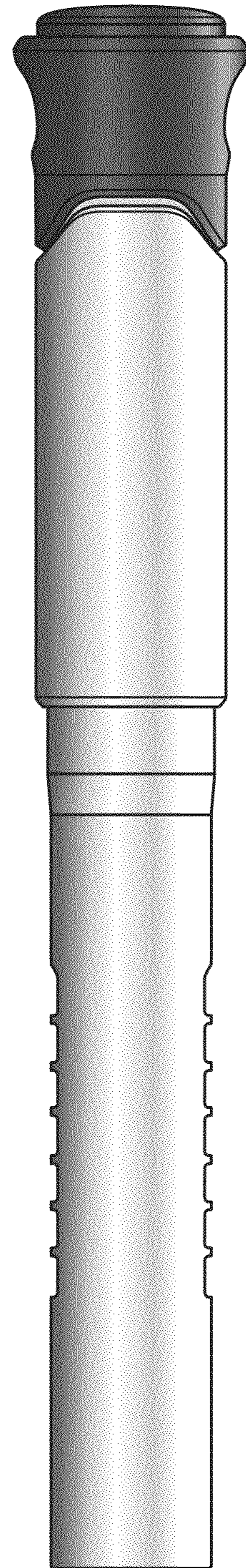


FIG. 10

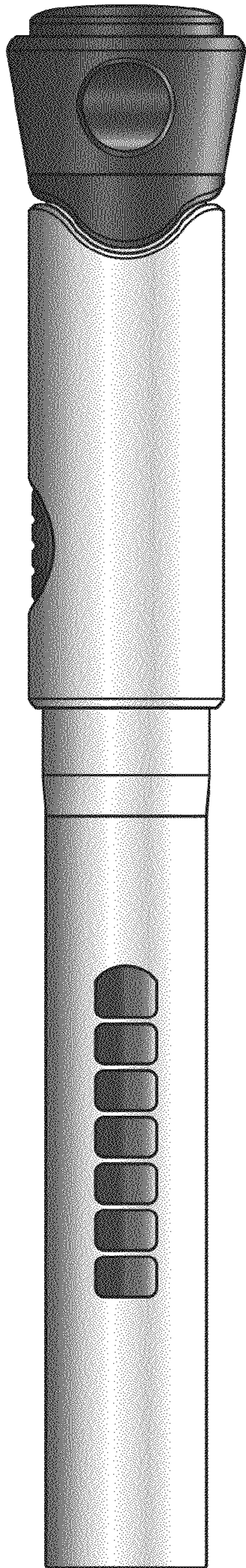


FIG. 11

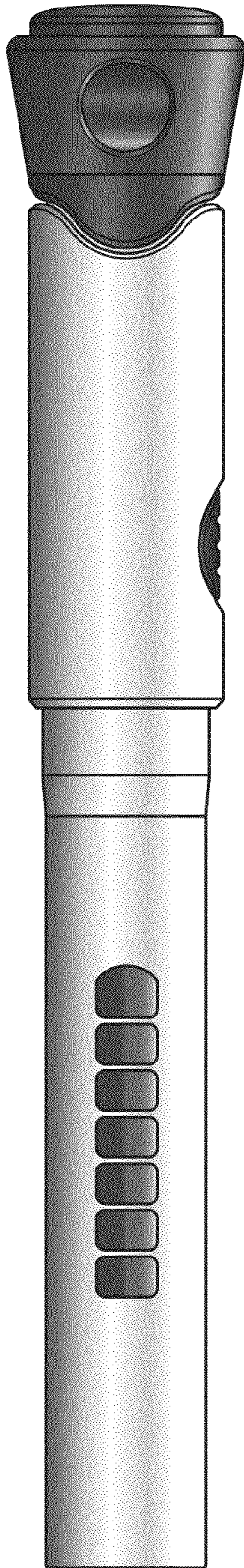


FIG. 12

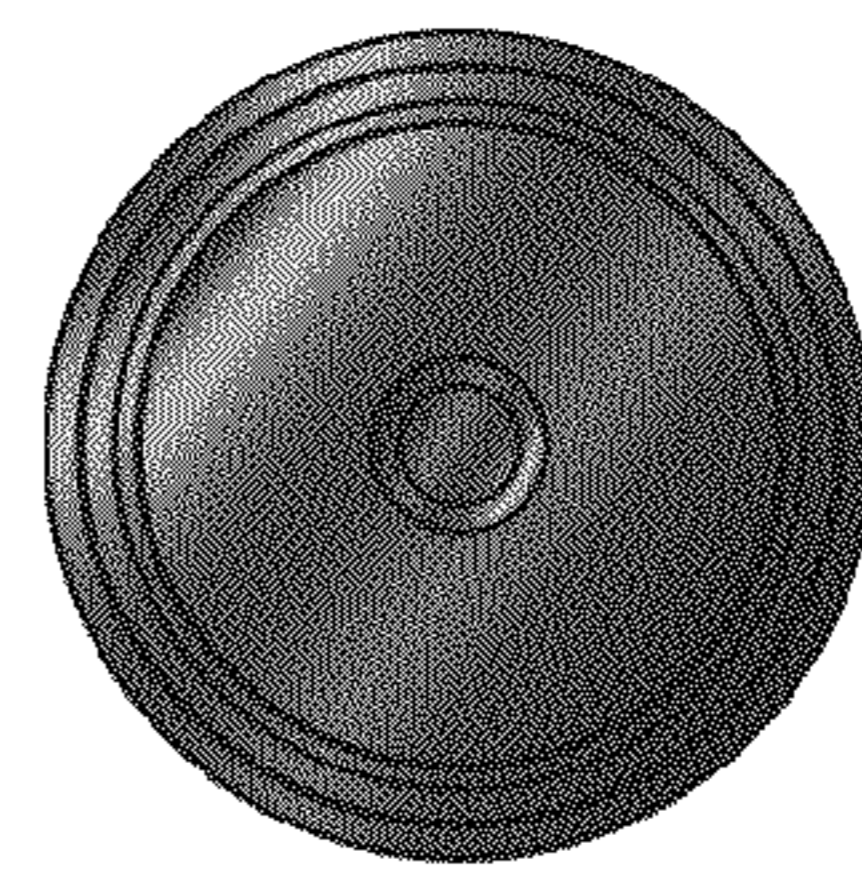


FIG. 13

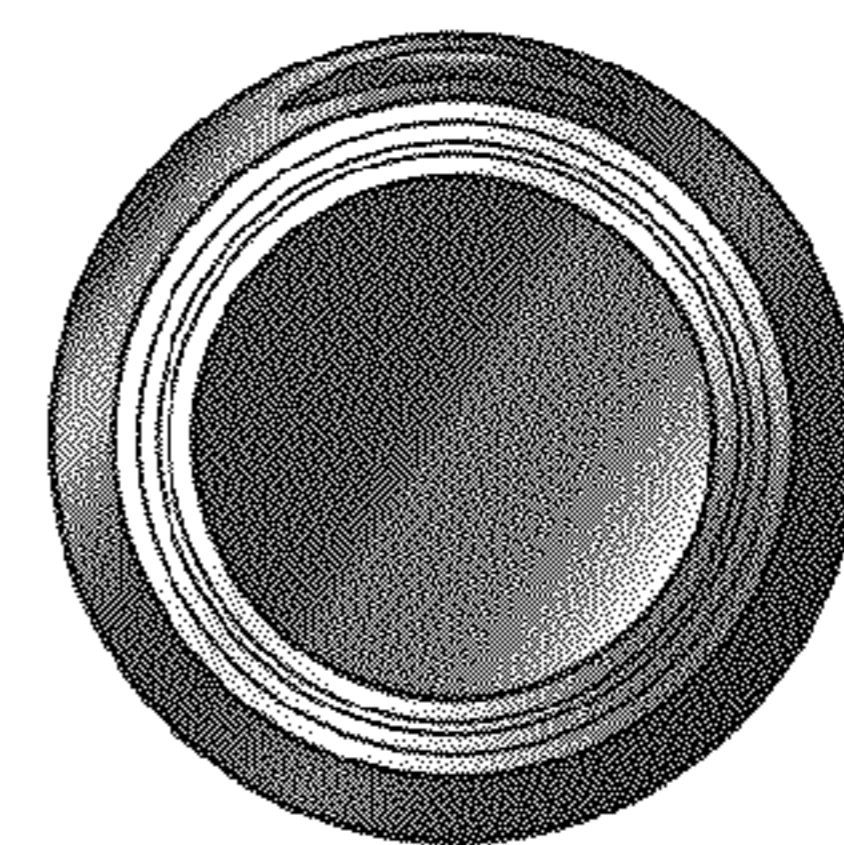


FIG. 14