



US00D715420S

(12) **United States Design Patent**  
**Funston**

(10) **Patent No.:** **US D715,420 S**

(45) **Date of Patent:** **\*\* Oct. 14, 2014**

(54) **LIGHT-SOCKET CEILING FAN**

(76) **Inventor:** **Lance Thomas Funston**, Penn Valley,  
PA (US)

(\*\*) **Term:** **14 Years**

(21) **Appl. No.:** **29/402,119**

(22) **Filed:** **Sep. 21, 2011**

(51) **LOC (10) Cl.** ..... **23-04**

(52) **U.S. Cl.**

USPC ..... **D23/385**; D23/382; D26/59

(58) **Field of Classification Search**

CPC ..... F04D 25/088; F04D 25/08; F04D 29/00;  
F04D 29/04; F04D 29/60; F04D 29/64;  
F04D 29/646; F21V 7/20; F21V 33/0096;  
F21V 33/0088; H02K 5/00; H02K 7/14  
USPC ..... D23/355, 370, 377, 379, 382, 385, 386,  
D23/411-413, 381; D26/59; 219/201, 219,  
219/220; 362/92; 417/360; 439/180, 530;  
416/5, 63, 93 R, 100, 170 R, 210 R, 242,  
416/243, 246; 310/91

See application file for complete search history.

(56) **References Cited**

**U.S. PATENT DOCUMENTS**

785,004 A \* 3/1905 Klemm et al. .... 310/91  
1,222,837 A \* 4/1917 Winslow et al. .... 416/5  
2,434,130 A \* 1/1948 Turner ..... 416/246  
D283,156 S \* 3/1986 Mandelli et al. .... D23/379  
4,882,467 A \* 11/1989 Dimick ..... 219/219  
5,287,253 A \* 2/1994 Blorstad ..... 362/92

5,522,704 A \* 6/1996 Casteel ..... 416/246  
D478,981 S \* 8/2003 Frampton ..... D23/411  
D483,108 S \* 12/2003 Frampton ..... D23/411  
6,799,982 B2 \* 10/2004 Kerr, Jr. .... 439/180  
D562,961 S \* 2/2008 Pickett ..... D23/377  
D630,312 S \* 1/2011 Spaulding ..... D23/377  
7,862,371 B1 \* 1/2011 Johnson ..... 439/530  
7,874,798 B2 \* 1/2011 Frampton et al. .... 416/5  
7,997,869 B2 \* 8/2011 Frampton et al. .... 416/100  
2004/0175281 A1 \* 9/2004 Remington ..... 417/360

\* cited by examiner

*Primary Examiner* — Martie K Holtje

(74) *Attorney, Agent, or Firm* — Panitch Schwarze Belisario  
& Nadel LLP

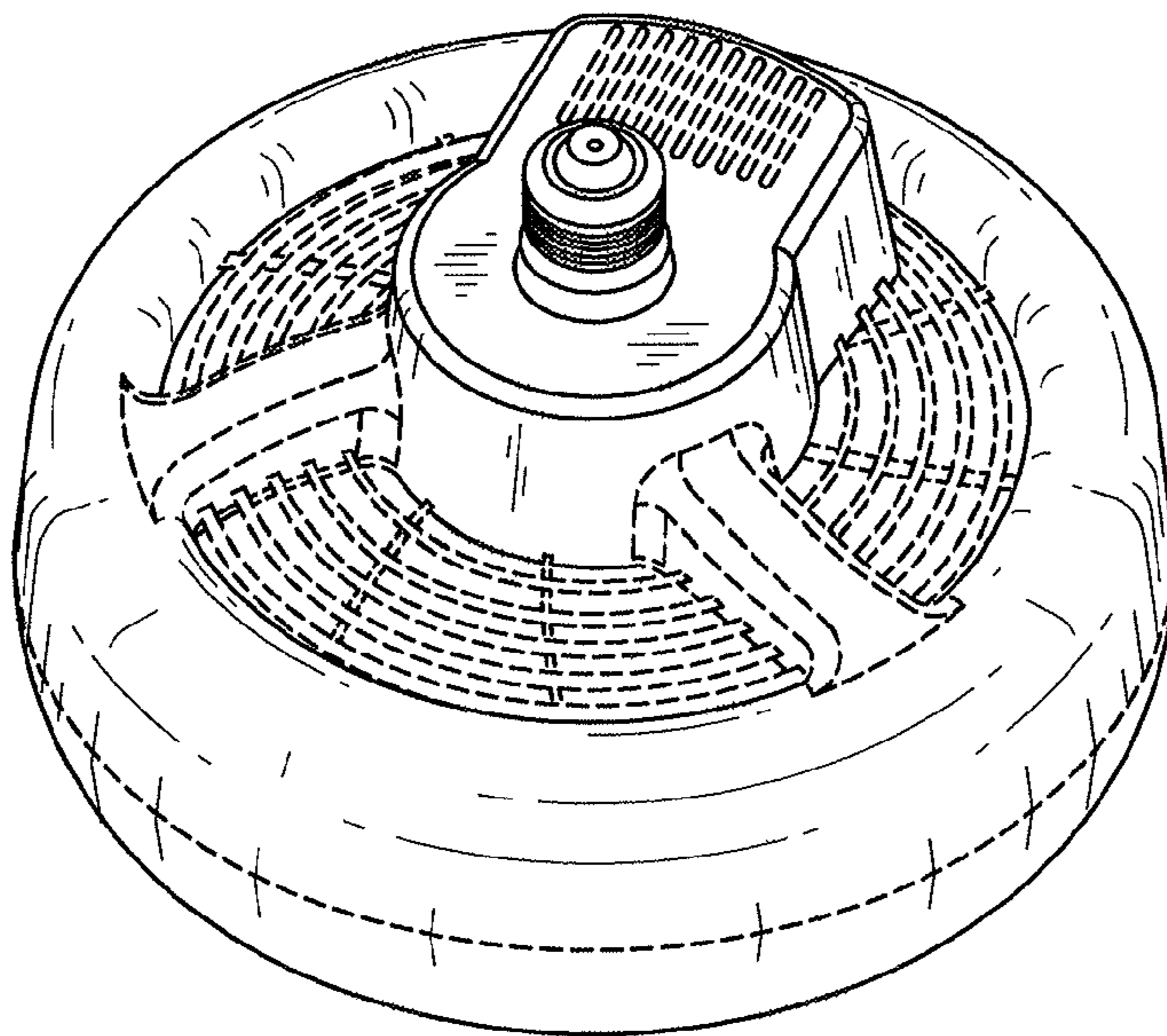
(57) **CLAIM**

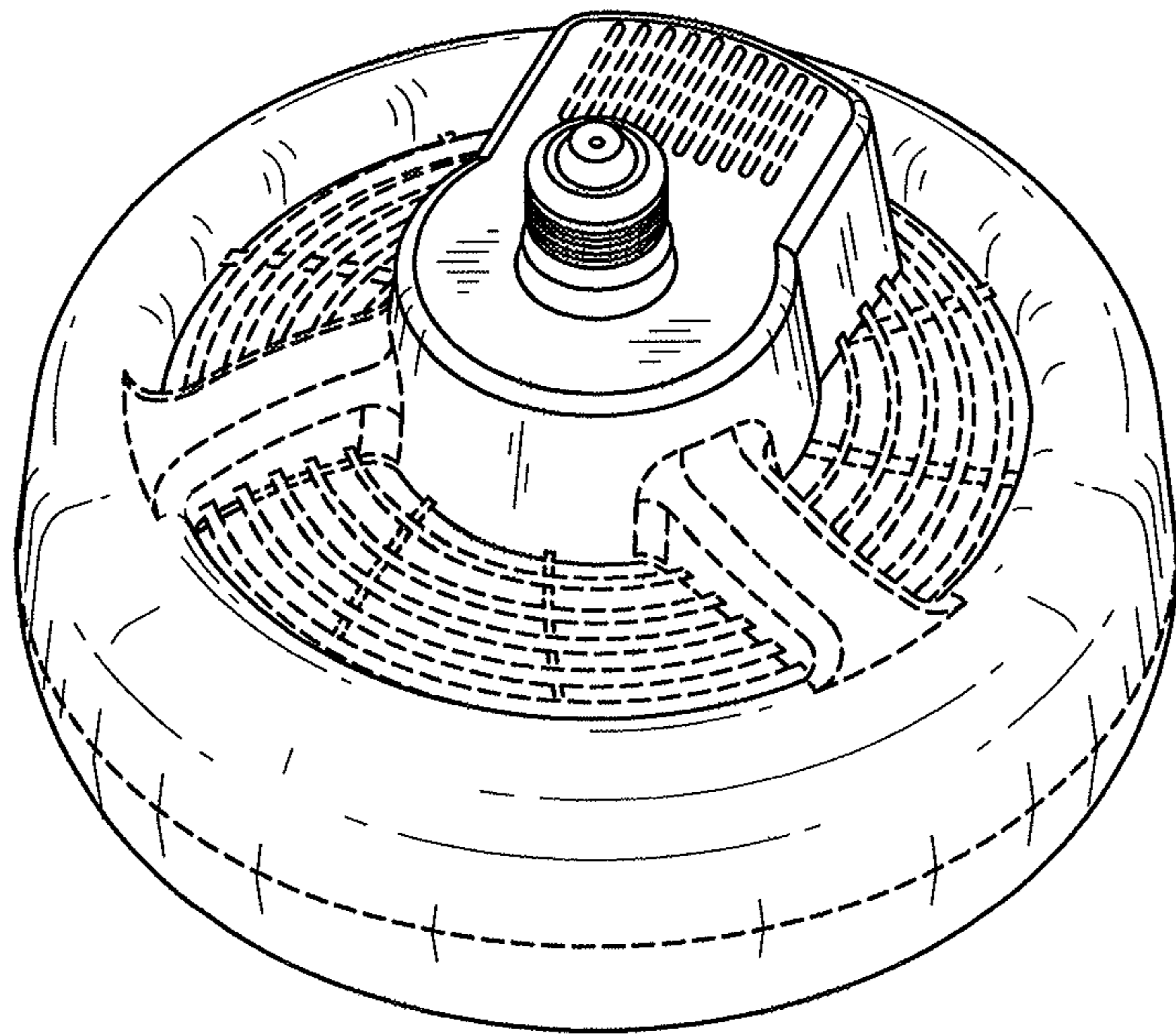
The ornamental design for a light-socket ceiling fan, as shown  
and described.

**DESCRIPTION**

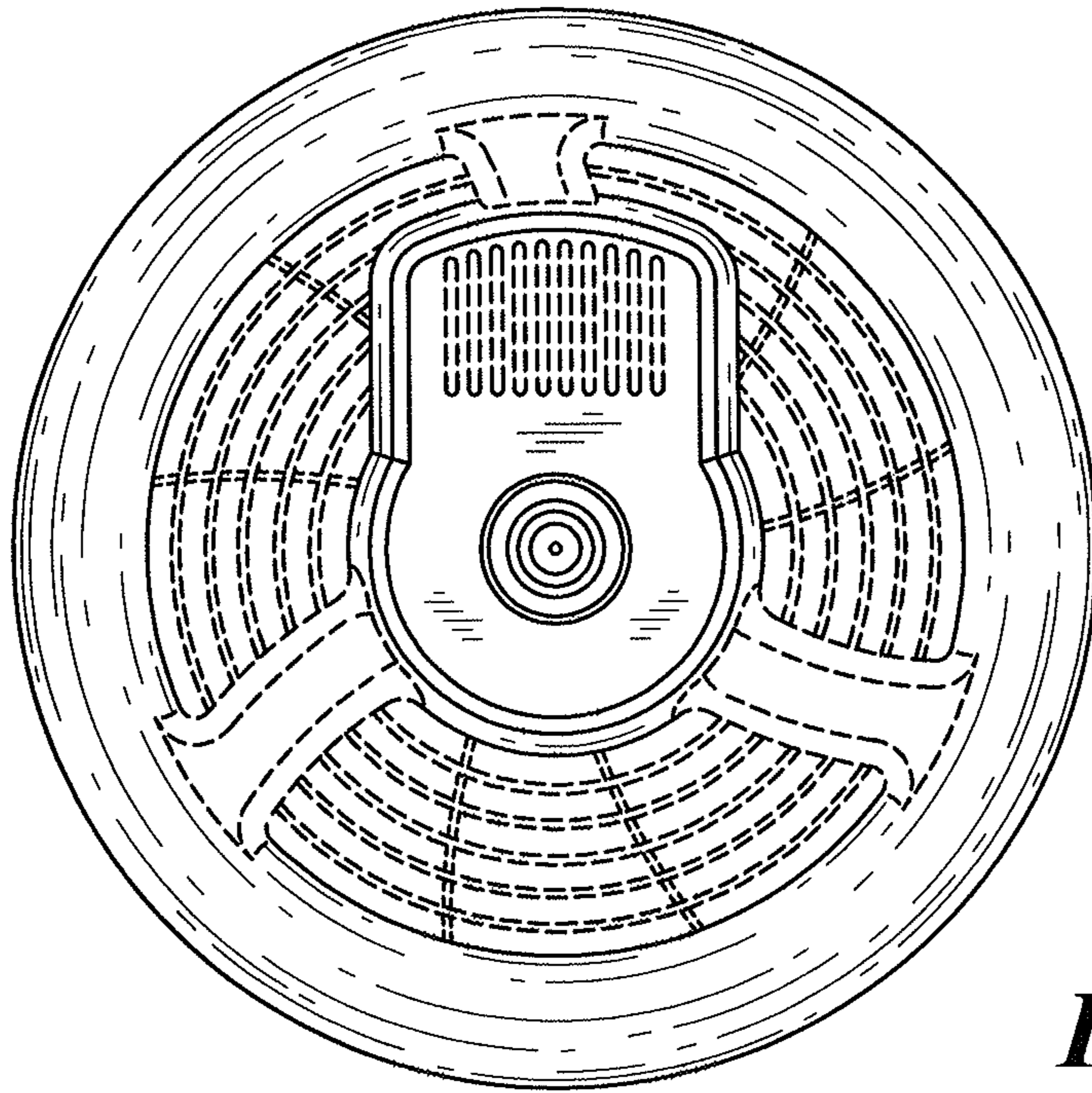
FIG. 1 is a top, right-front perspective view of a light-socket  
ceiling fan showing my new design;  
FIG. 2 is a top plan view thereof;  
FIG. 3 is a front elevational view thereof;  
FIG. 4 is a right side elevation view the left side being a mirror  
image thereof;  
FIG. 5 is a bottom plan view thereof; and,  
FIG. 6 is a rear elevational view thereof.  
The broken lines in the figures are for illustrative purposes  
only and form no part of the claimed design.

**1 Claim, 4 Drawing Sheets**

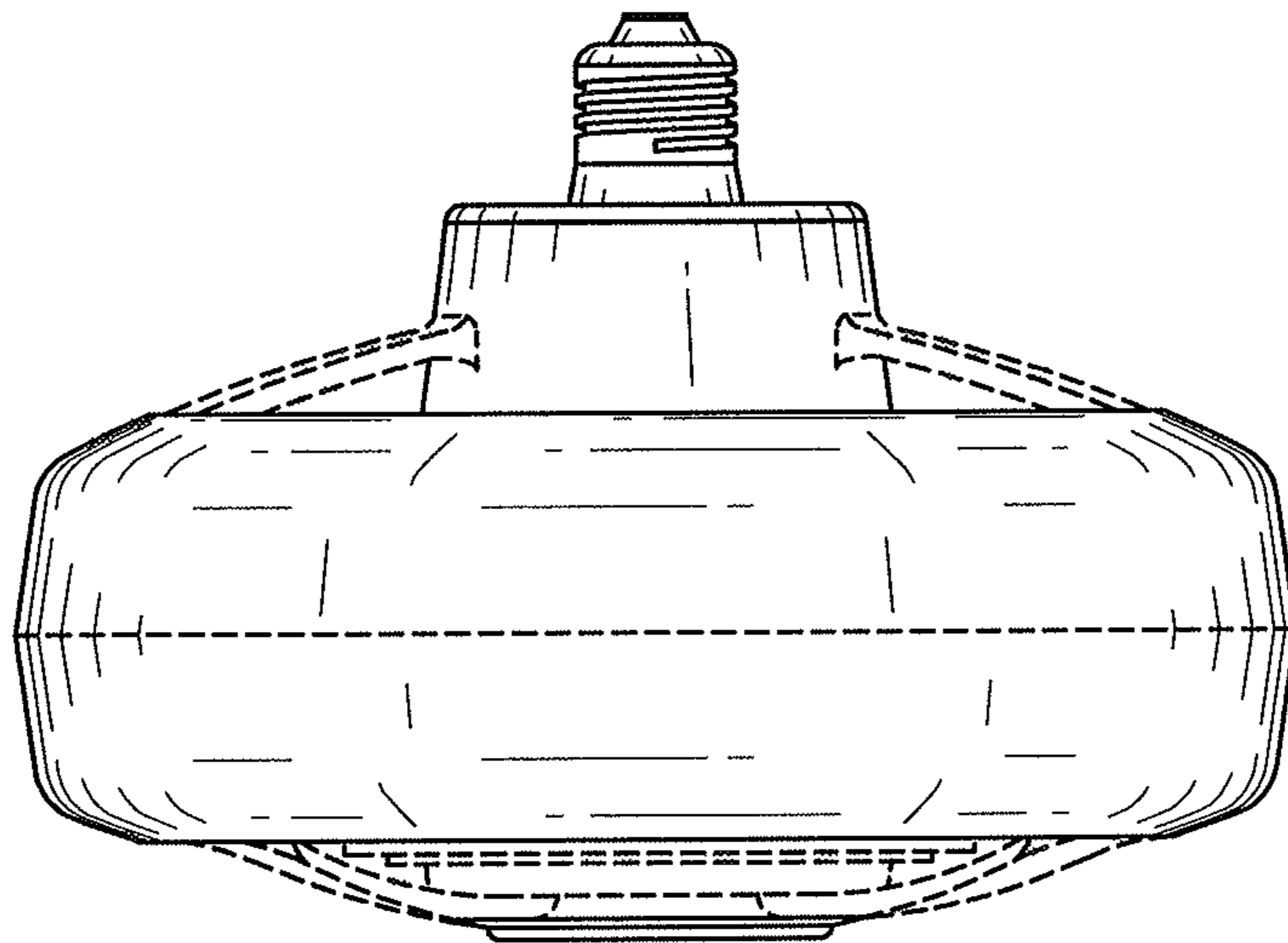




*Fig. 1*

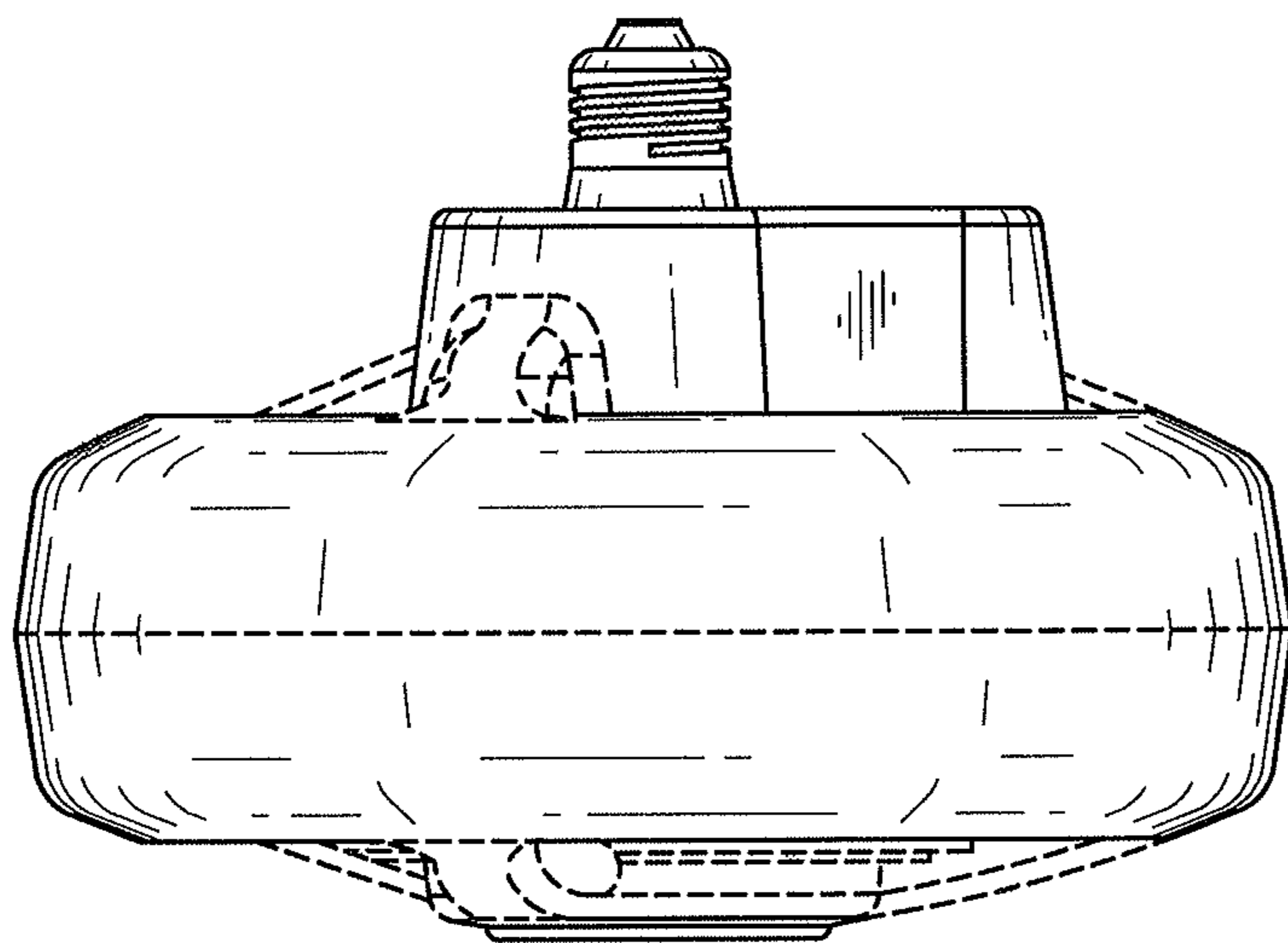


*Fig. 2*

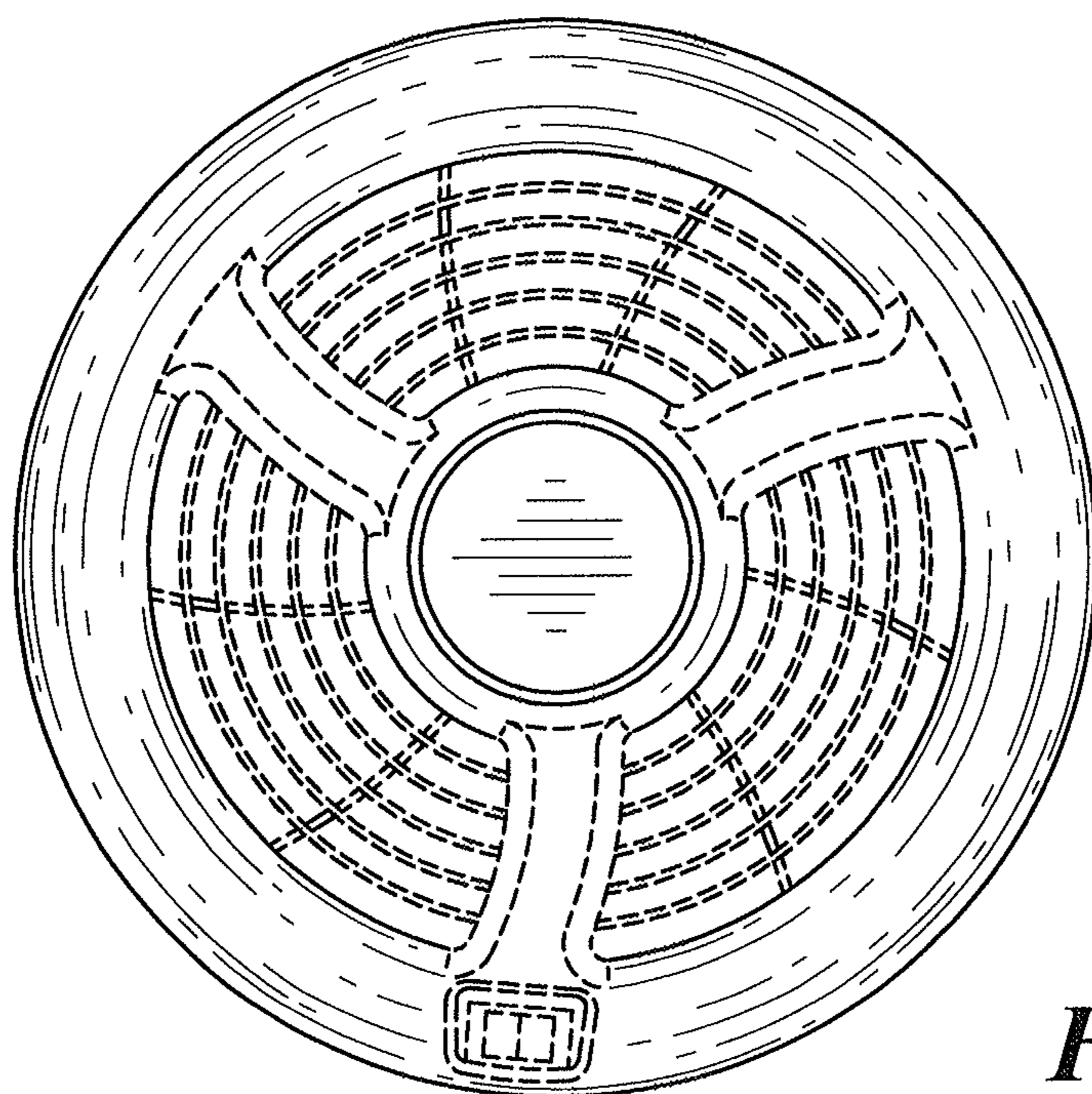


*Fig. 3*

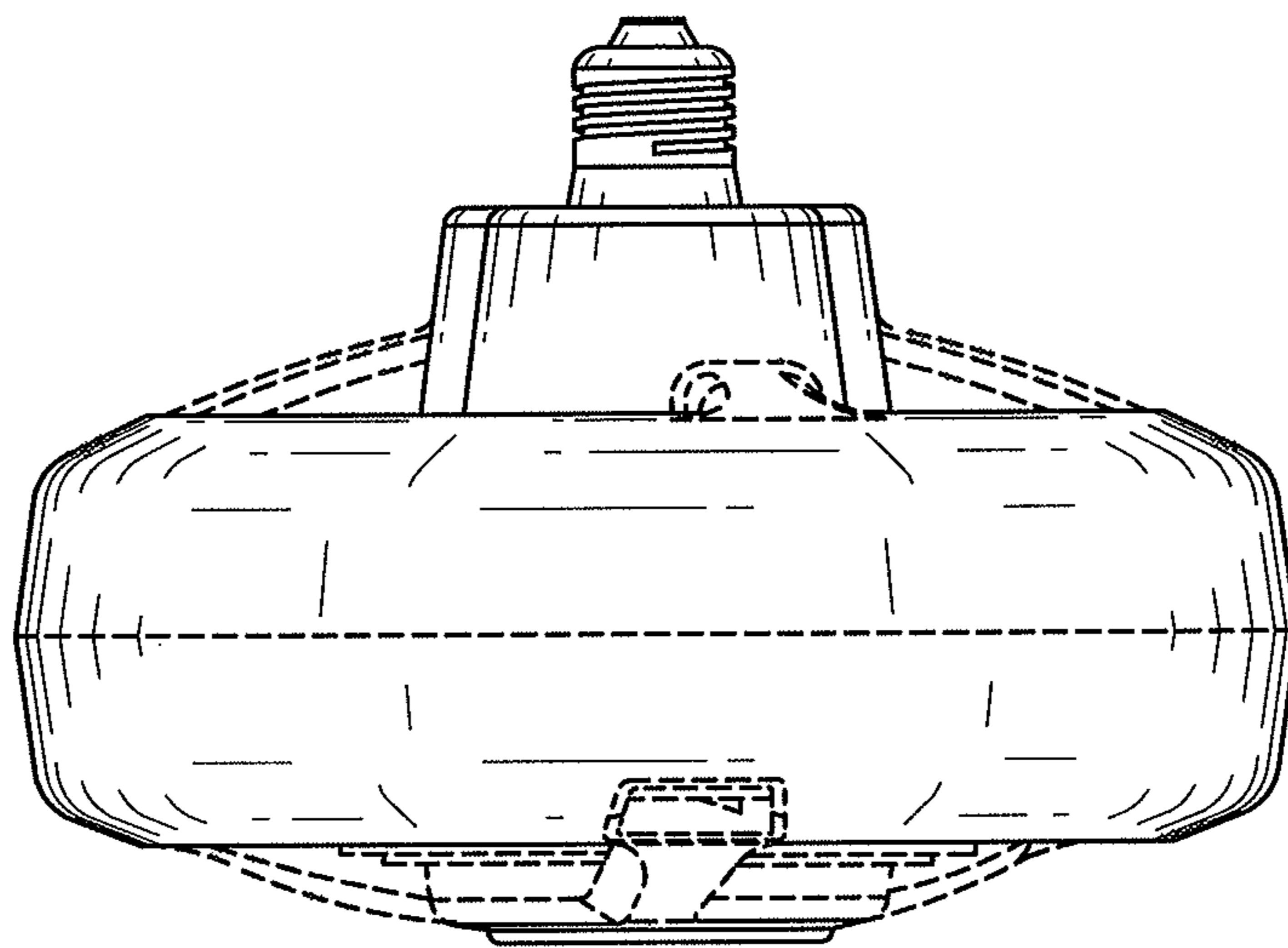




*Fig. 4*



*Fig. 5*



*Fig. 6*