



US00D715418S

(12) **United States Design Patent**
Schulzman

(10) **Patent No.:** **US D715,418 S**
(45) **Date of Patent:** **** Oct. 14, 2014**

(54) **COMBINED CEILING FAN AND LIGHT KIT**

(71) Applicant: **Minka Lighting, Inc.**, Corona, CA (US)

(72) Inventor: **Kurt Schulzman**, Long Beach, CA (US)

(73) Assignee: **Minka Lighting, Inc.**, Corona, CA (US)

(**) Term: **14 Years**

(21) Appl. No.: **29/449,630**

(22) Filed: **Mar. 15, 2013**

(51) **LOC (10) Cl.** **23-04**

(52) **U.S. Cl.**
USPC **D23/377**; D26/59

(58) **Field of Classification Search**
CPC F04D 25/088
USPC D23/377, 370-376, 378-385, 387,
D23/411-414, 386-394, 499; D26/59;
416/5, 170 R, 214 R, 184, 206, 207,
416/210 R, 220 R, 244 R, 248; 417/423.1;
392/364

See application file for complete search history.

(56) **References Cited**

U.S. PATENT DOCUMENTS

4,073,598	A *	2/1978	Mizutani et al.	416/5
4,342,073	A *	7/1982	Ranten	362/294
D270,942	S *	10/1983	McCain	D23/379
4,592,702	A *	6/1986	Bogage	416/247 R
D292,313	S *	10/1987	Kawai	D23/377
D304,229	S *	10/1989	Rezek	D23/377
5,135,365	A *	8/1992	Bogage	417/423.15
D342,311	S *	12/1993	Rezek	D23/377
D346,438	S *	4/1994	Caldwell	D23/377
D346,858	S *	5/1994	Lee	D23/377
D348,729	S *	7/1994	Mason	D23/411
D355,027	S *	1/1995	Young	D23/377
D357,978	S *	5/1995	Young	D23/377
D377,975	S *	2/1997	Young	D23/377
5,645,403	A *	7/1997	Bogage	416/235
D453,216	S *	1/2002	Gajewski	D23/377

D463,020	S *	9/2002	Liu	D23/377
D476,728	S *	7/2003	Gajewski	D23/377
D477,068	S *	7/2003	Hsieh	D23/377
D484,964	S *	1/2004	Young	D23/377
D503,474	S *	3/2005	Tai	D23/413
D503,475	S *	3/2005	Tai	D23/413
D510,763	S *	10/2005	Da Costa	D23/377
2008/0069698	A1 *	3/2008	Laisathit	416/210 R
2009/0129974	A1 *	5/2009	McEllen	422/24
2010/0314941	A1 *	12/2010	Schulzman	307/40
2013/0045103	A1 *	2/2013	Iwamoto et al.	416/170 R
2013/0136603	A1 *	5/2013	Kuramochi et al.	416/170 R
2013/0272879	A1 *	10/2013	Chen	416/5

* cited by examiner

Primary Examiner — Susan Bennett Hattan

Assistant Examiner — Marie Fast Horse

(74) *Attorney, Agent, or Firm* — Baker & McKenzie LLP

(57) **CLAIM**

The ornamental design for a combined ceiling fan and light kit, as shown and described.

DESCRIPTION

FIG. 1 is a perspective view of a combined ceiling fan and light kit showing an embodiment in accordance with my design;

FIG. 2 is a bottom plan view of the combined ceiling fan and light kit in accordance with my design;

FIG. 3 is a top plan view of the combined ceiling fan and light kit in accordance with my design;

FIG. 4 is a front elevation view of the combined ceiling fan and light kit in accordance with my design;

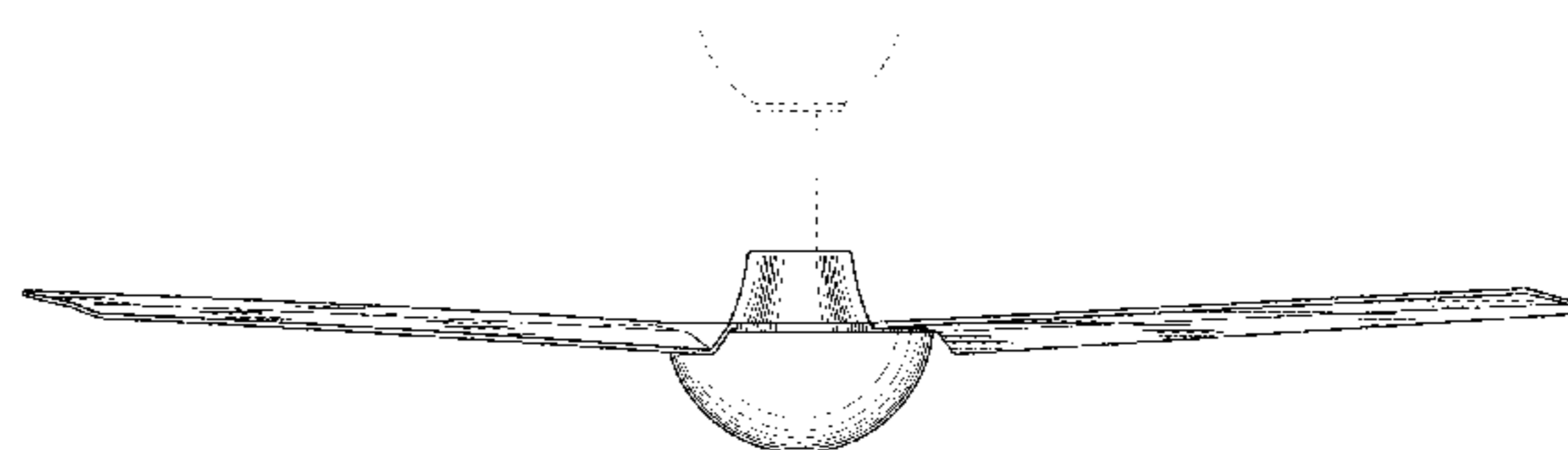
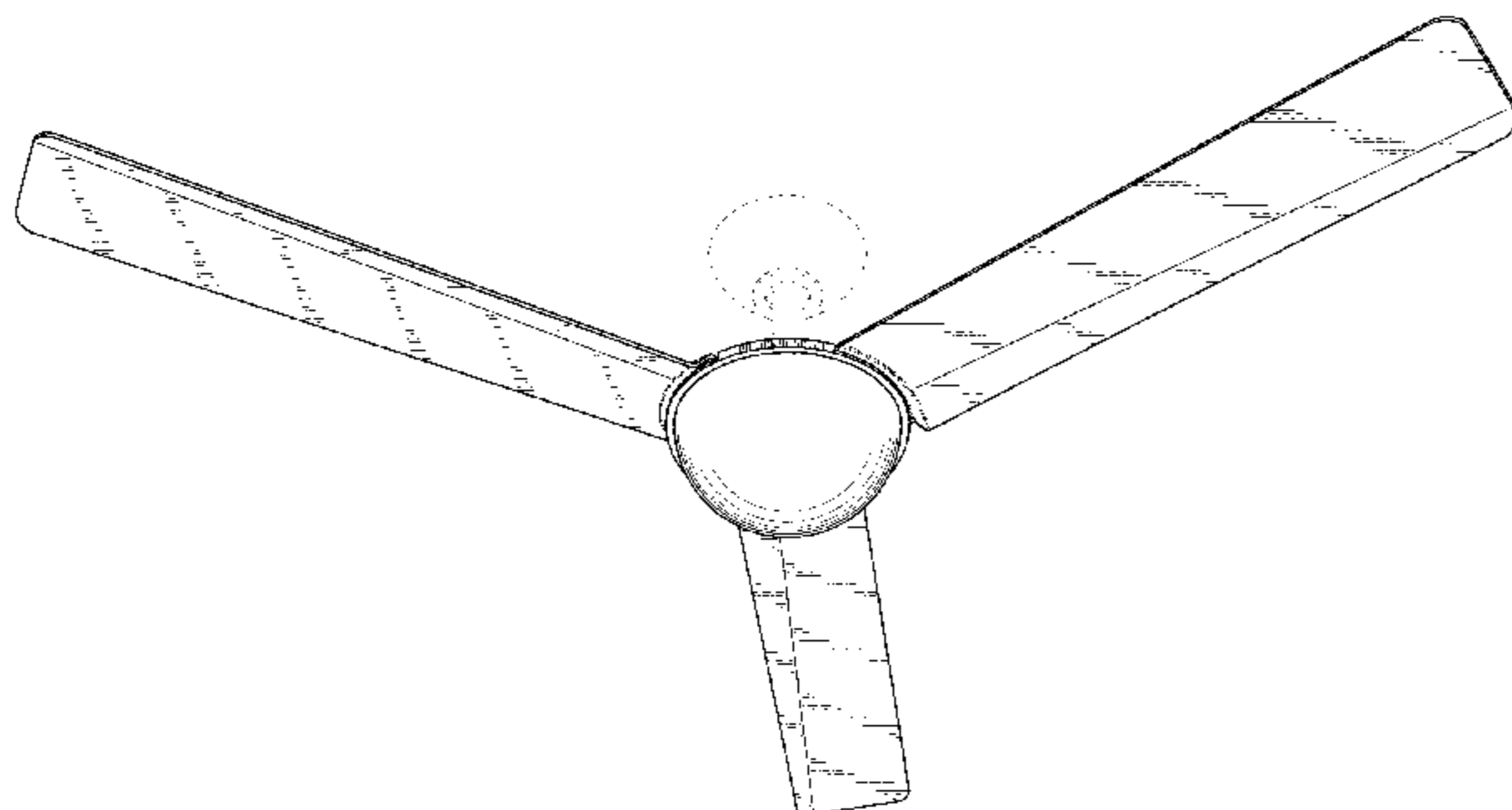
FIG. 5 is a rear elevation view of the combined ceiling fan and light kit in accordance with my design;

FIG. 6 is a left-side elevation view of the combined ceiling fan and light kit in accordance with my design; and,

FIG. 7 is a right-side elevation view of the combined ceiling fan and light kit in accordance with my design.

The broken lines showing the environmental structure are for illustrative purposes and form no part of the claimed design.

1 Claim, 5 Drawing Sheets



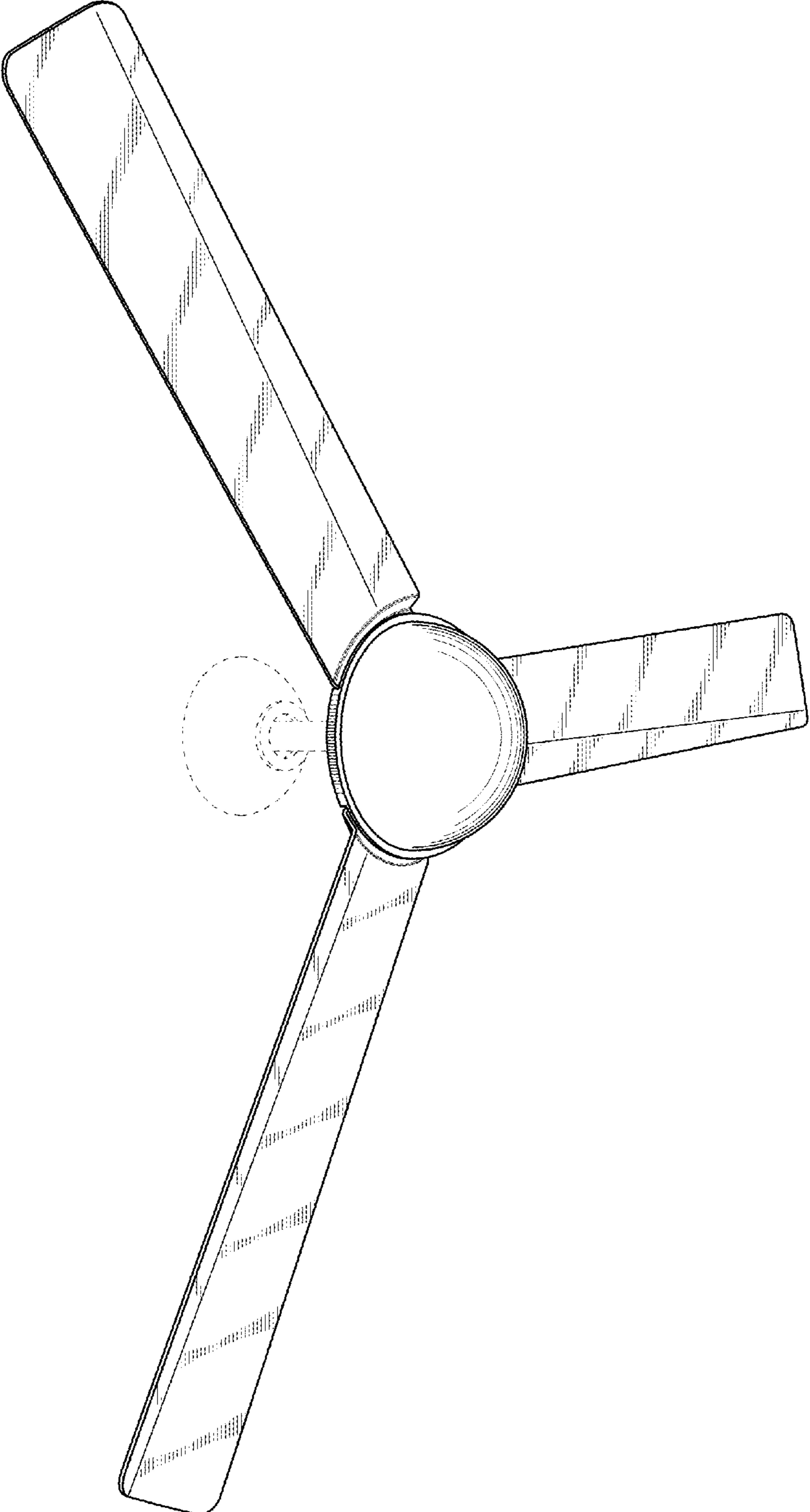


Fig. 1

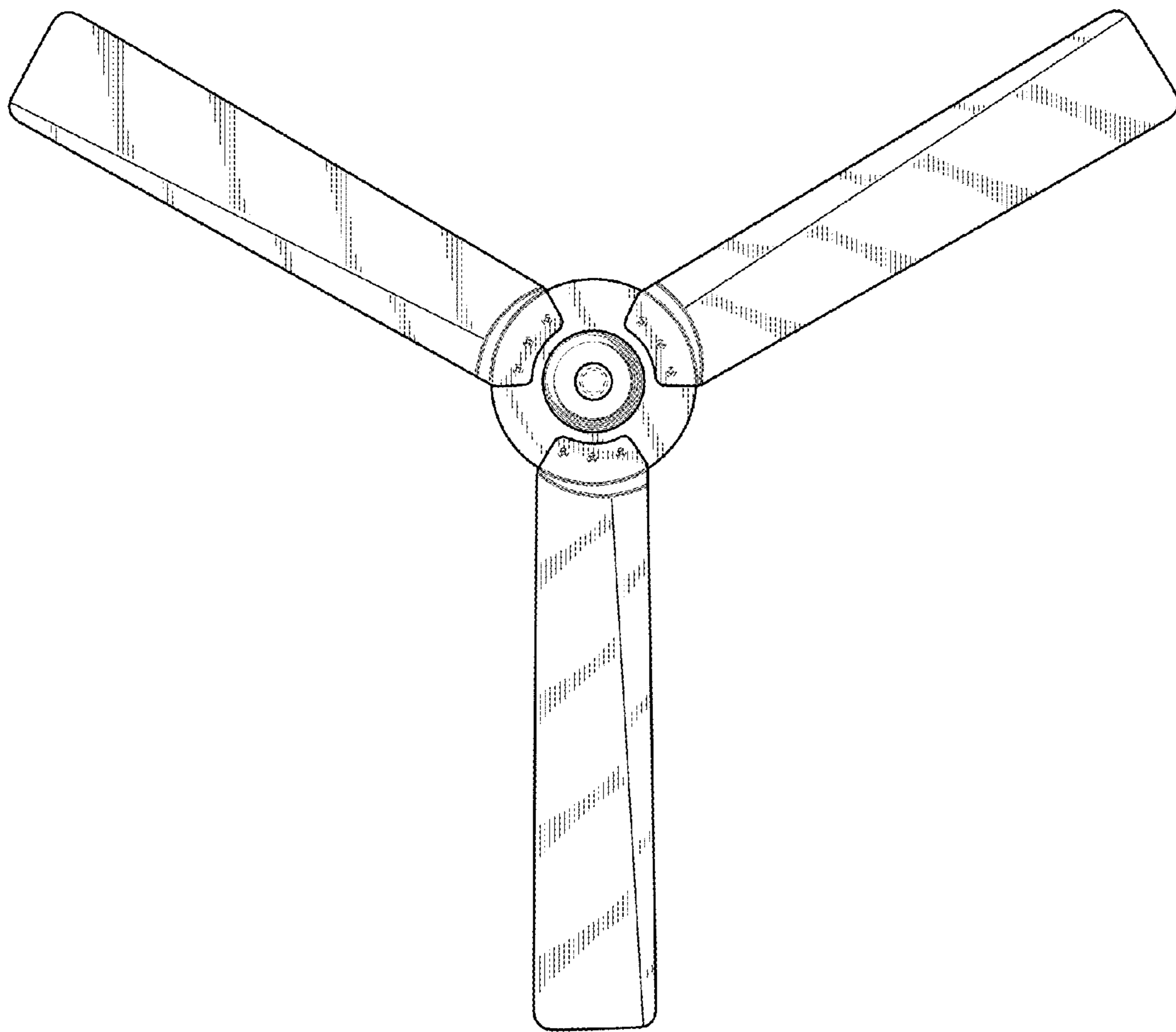


Fig.2

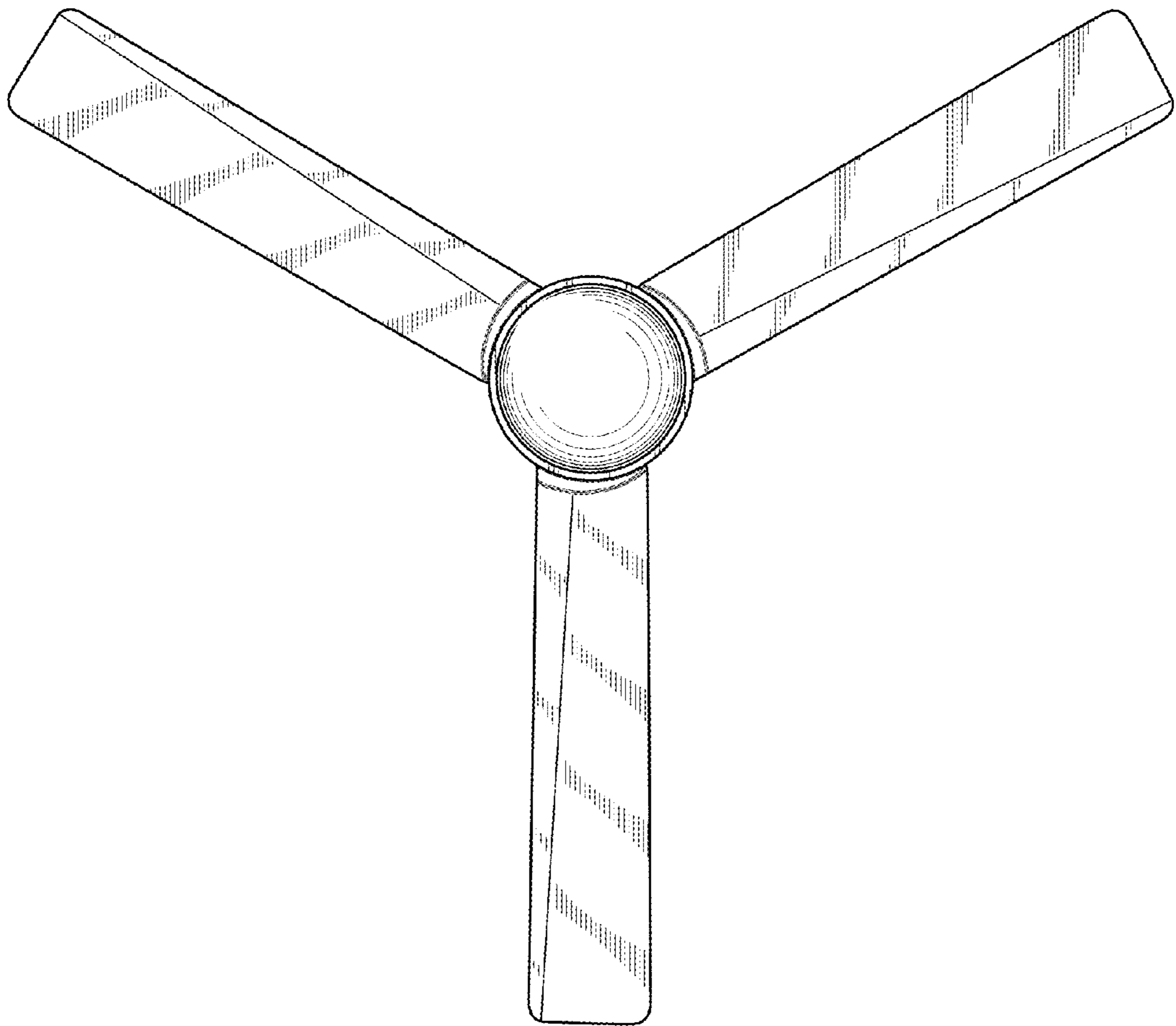
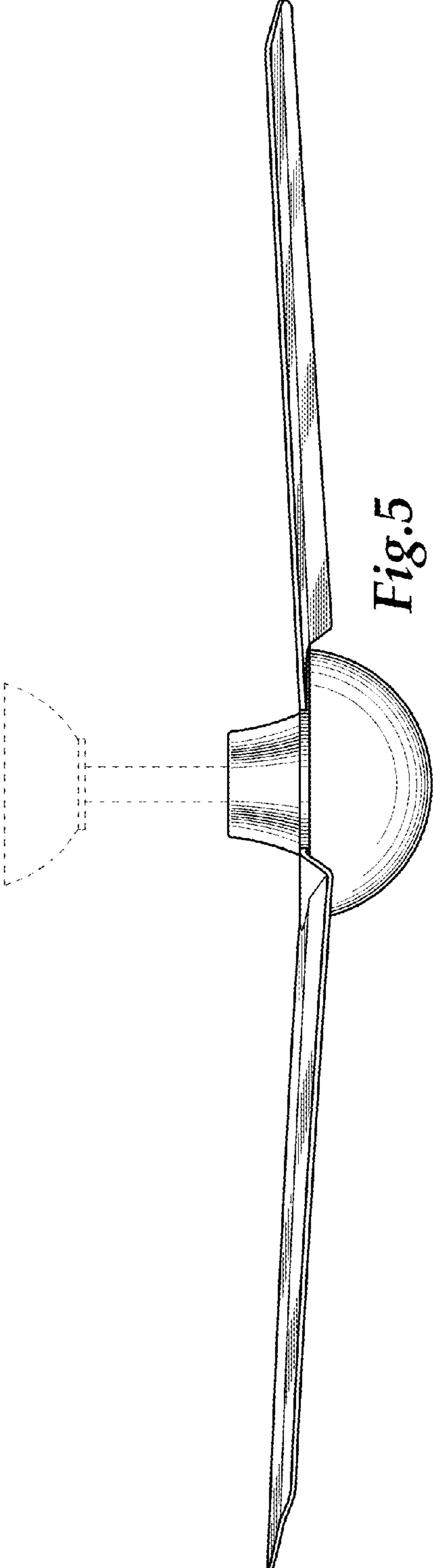
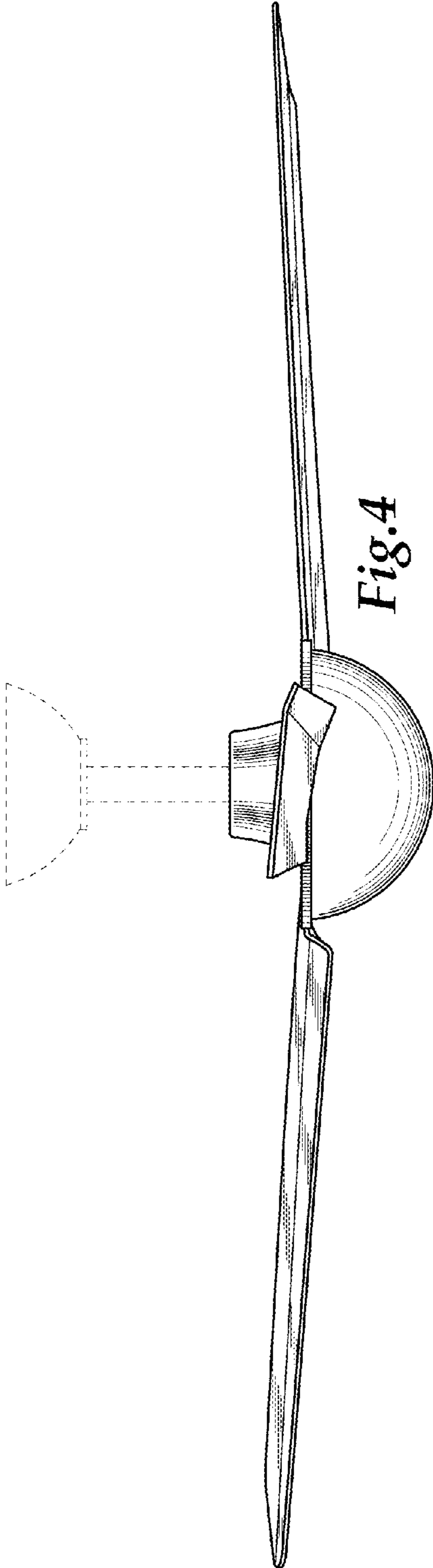


Fig.3



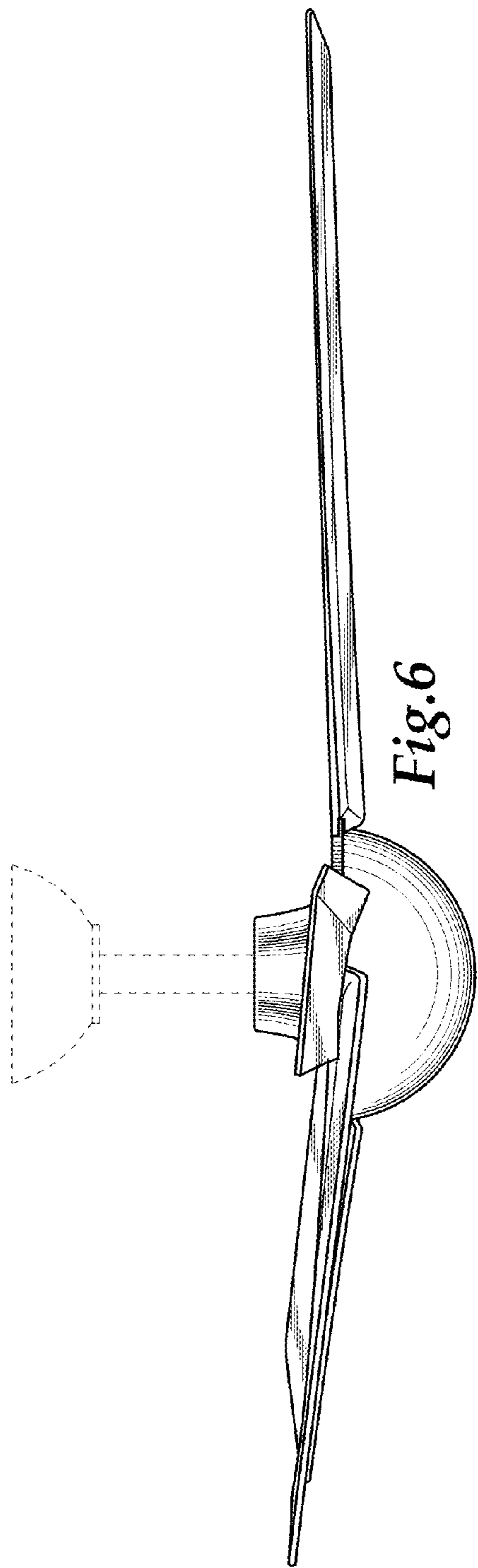


Fig. 6

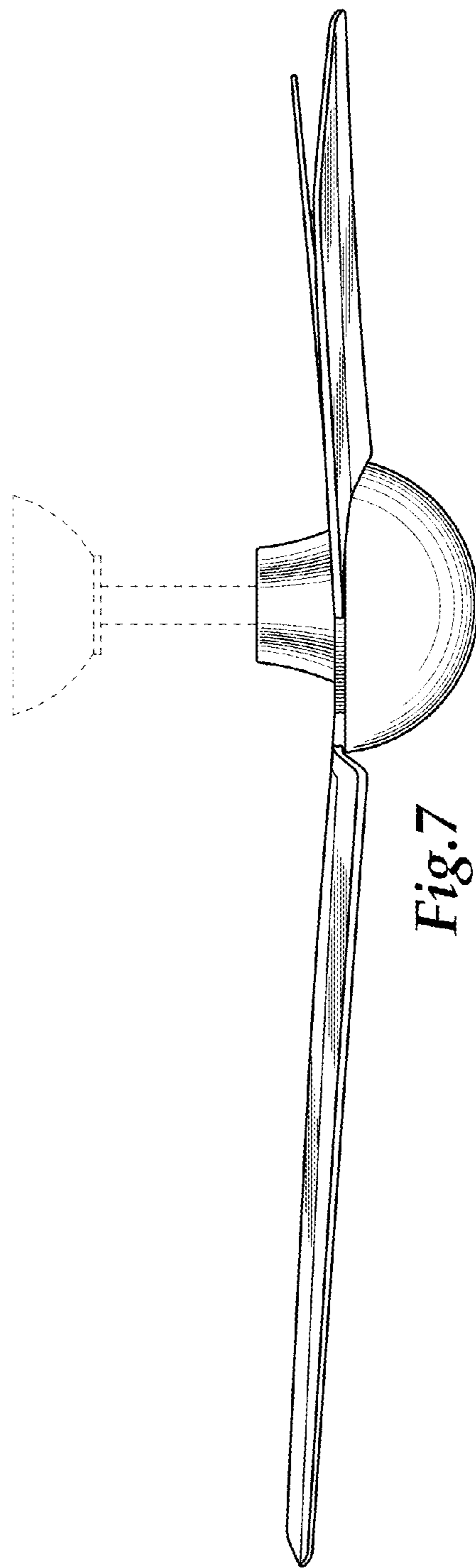


Fig. 7