

US00D715417S

(12) **United States Design Patent**
McCoy et al.

(10) **Patent No.:** **US D715,417 S**
(45) **Date of Patent:** **** Oct. 14, 2014**

(54) **PERFORMANCE ENHANCING AIR
FILTRATION DEVICE**

(71) Applicants: **Stephen McCoy**, Houston, TX (US);
Layton Curd, Cypress, TX (US); **Joe
Rischman**, Cypress, TX (US)

(72) Inventors: **Stephen McCoy**, Houston, TX (US);
Layton Curd, Cypress, TX (US); **Joe
Rischman**, Cypress, TX (US)

(**) Term: **14 Years**

(21) Appl. No.: **29/436,068**

(22) Filed: **Oct. 31, 2012**

(51) **LOC (10) Cl.** **23-04**

(52) **U.S. Cl.**
USPC **D23/365**

(58) **Field of Classification Search**
USPC D23/365, 209, 363, 358, 386, 354, 341,
D23/364, 303; 55/385.3, 502, 497, 506,
55/505, 521, 495, 422, 493, DIG. 30;
210/435, 130, 136, 248, 339, 448, 452,
210/497.1; D32/31; D15/5
See application file for complete search history.

(56) **References Cited**

U.S. PATENT DOCUMENTS

D273,956 S * 5/1984 Petersen D15/5
5,740,774 A * 4/1998 Kennedy 55/385.3

6,217,627 B1 * 4/2001 Vyskocil et al. 55/502
D492,759 S * 7/2004 Yoshida D23/364
D517,672 S * 3/2006 Schmitt et al. D23/365
D525,267 S * 7/2006 Canova et al. D15/5
D529,514 S * 10/2006 Maeda et al. D15/5
7,150,260 B2 * 12/2006 Arevalo et al. 55/385.3
D540,929 S * 4/2007 Kowis et al. D23/364
7,329,298 B1 * 2/2008 Hasinski 55/385.3
8,147,578 B2 * 4/2012 Bannister et al. 55/385.3
8,206,476 B2 * 6/2012 O'Neil Batzold et al. ... 55/385.3
8,236,079 B2 * 8/2012 Fasan 55/385.3

* cited by examiner

Primary Examiner — David Muller

(74) *Attorney, Agent, or Firm* — QuickPatents; Kevin Prince

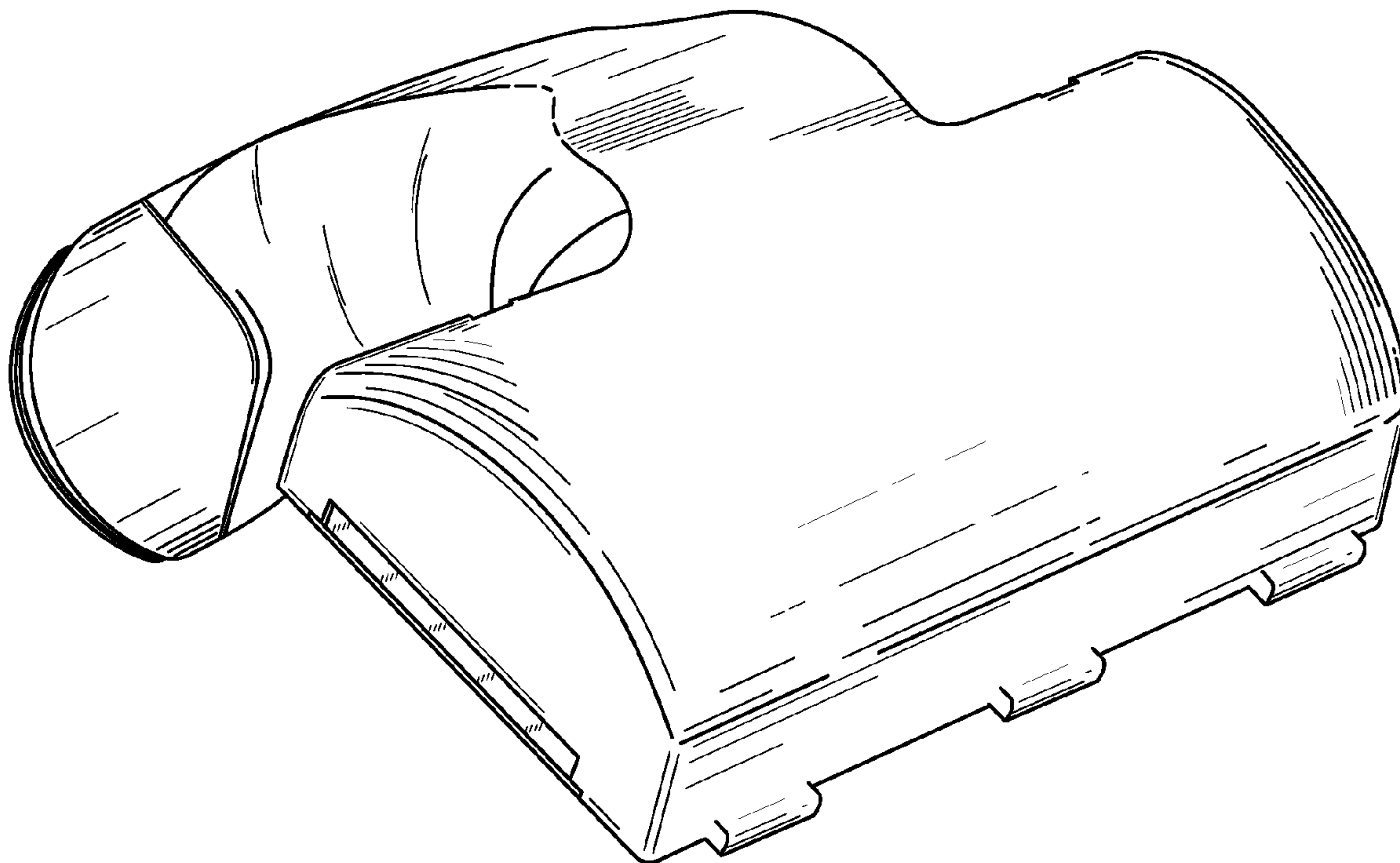
(57) **CLAIM**

We claim the ornamental design for a performance enhancing air filtration device, as shown and described.

DESCRIPTION

FIG. 1 is a perspective view of a performance enhancing air filtration device, showing our new design; FIG. 2 is a rear elevational view thereof; FIG. 3 is a front elevational view thereof; FIG. 4 is a left-side elevational view thereof; FIG. 5 is a right-side elevational view thereof; FIG. 6 is a top plan view thereof; and, FIG. 7 is a bottom plan view thereof. The broken lines in FIGS. 4 and 7 depict environmental matter that forms no part of the claimed design.

1 Claim, 4 Drawing Sheets



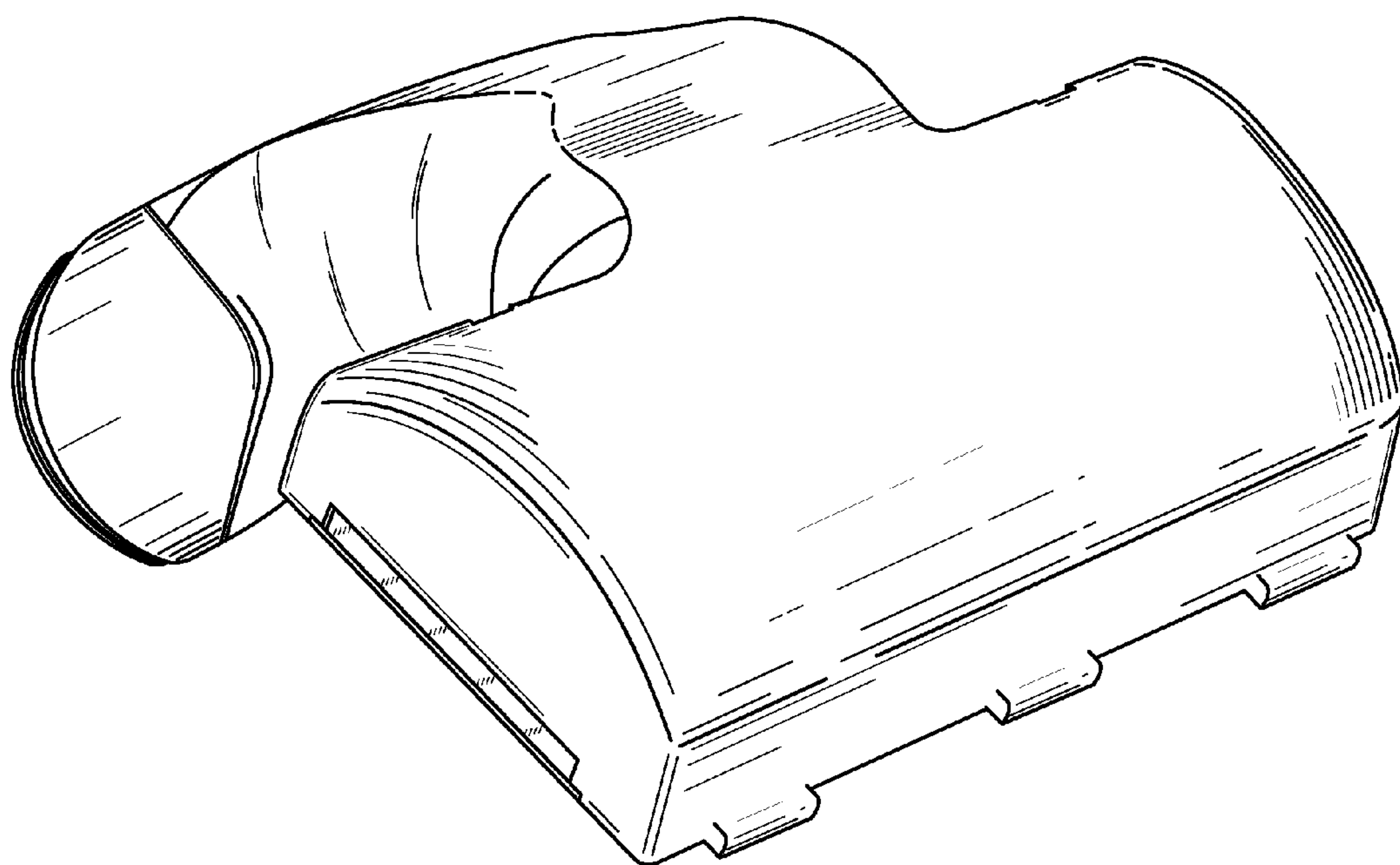


FIG. 1

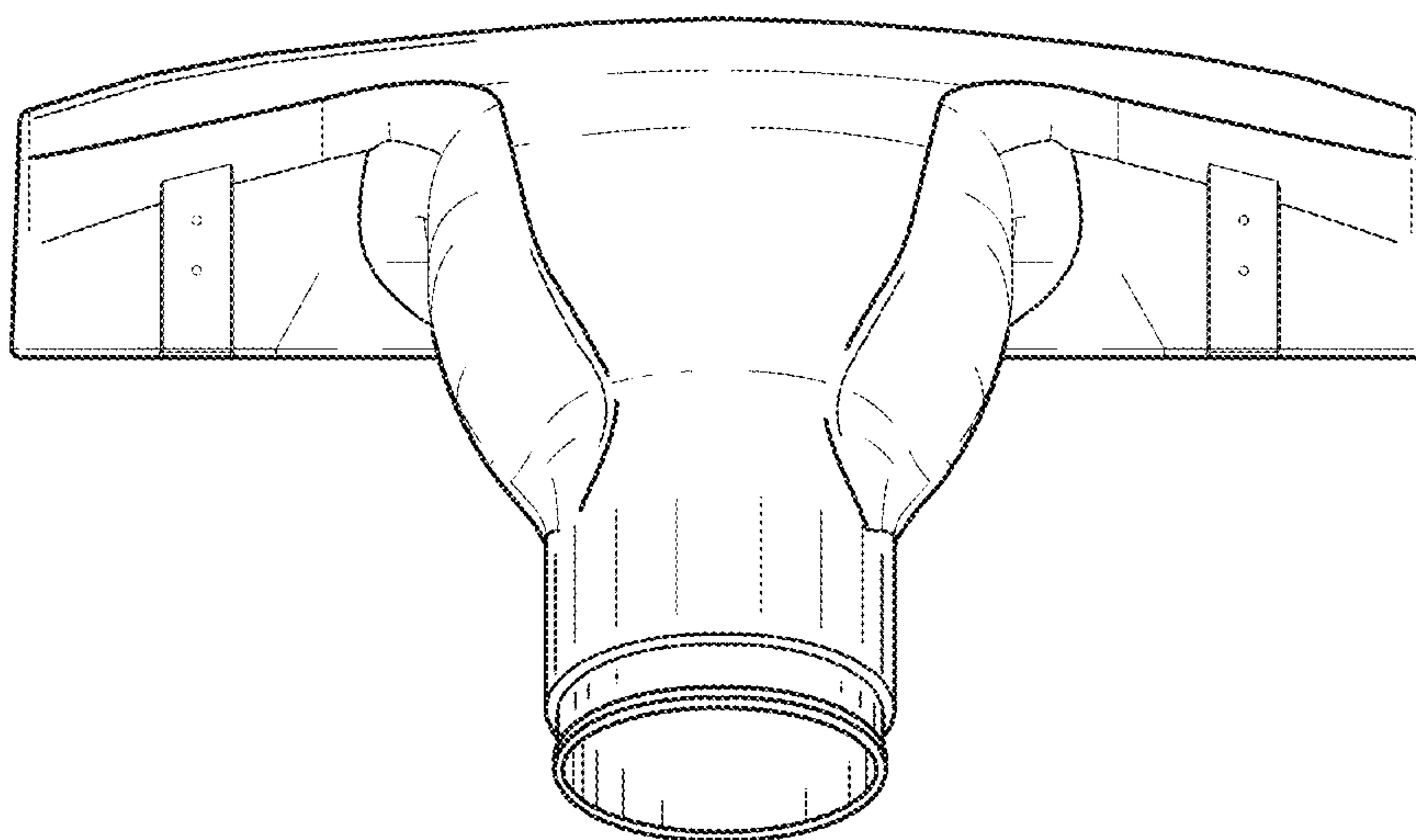


FIG. 2

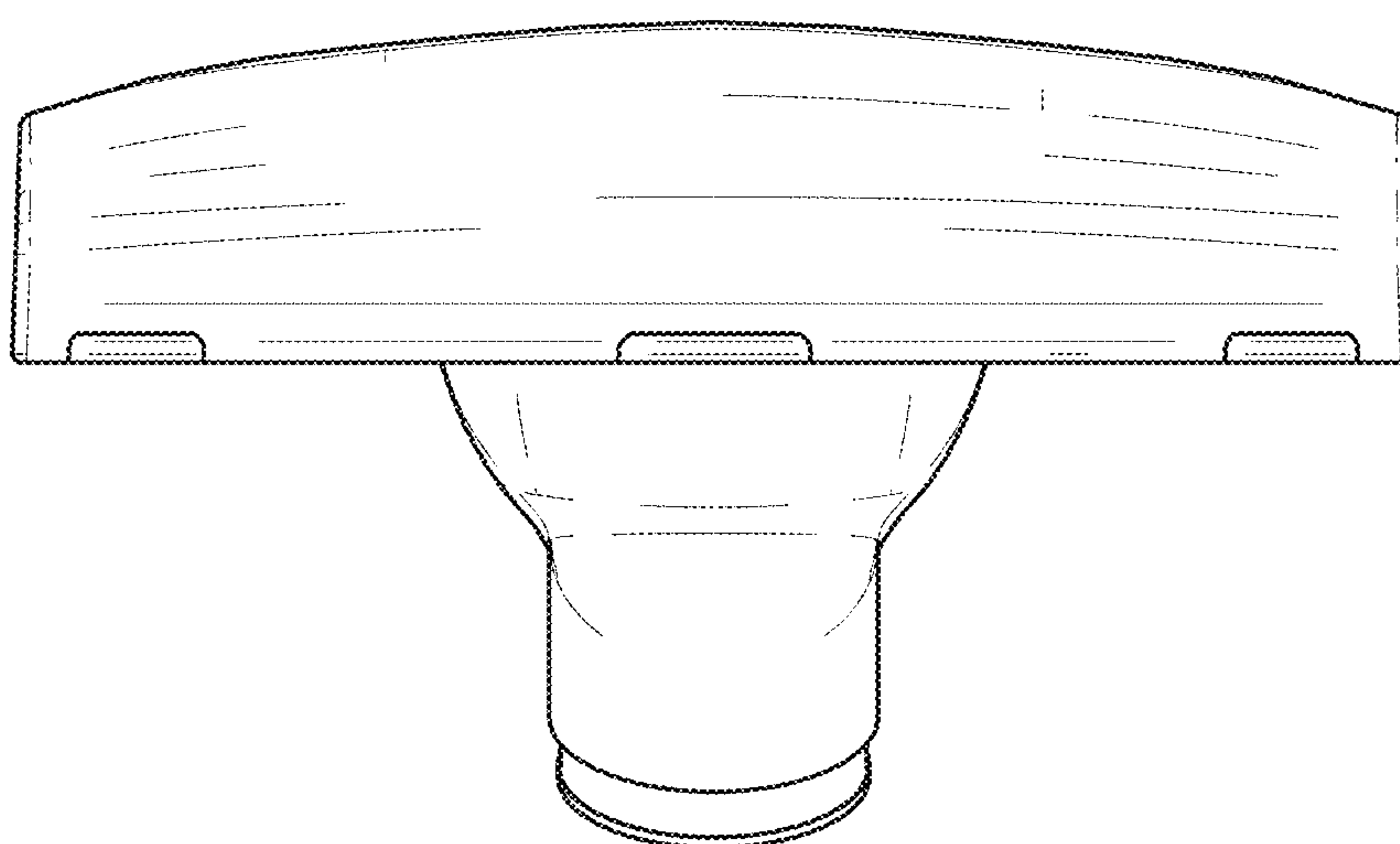


FIG. 3

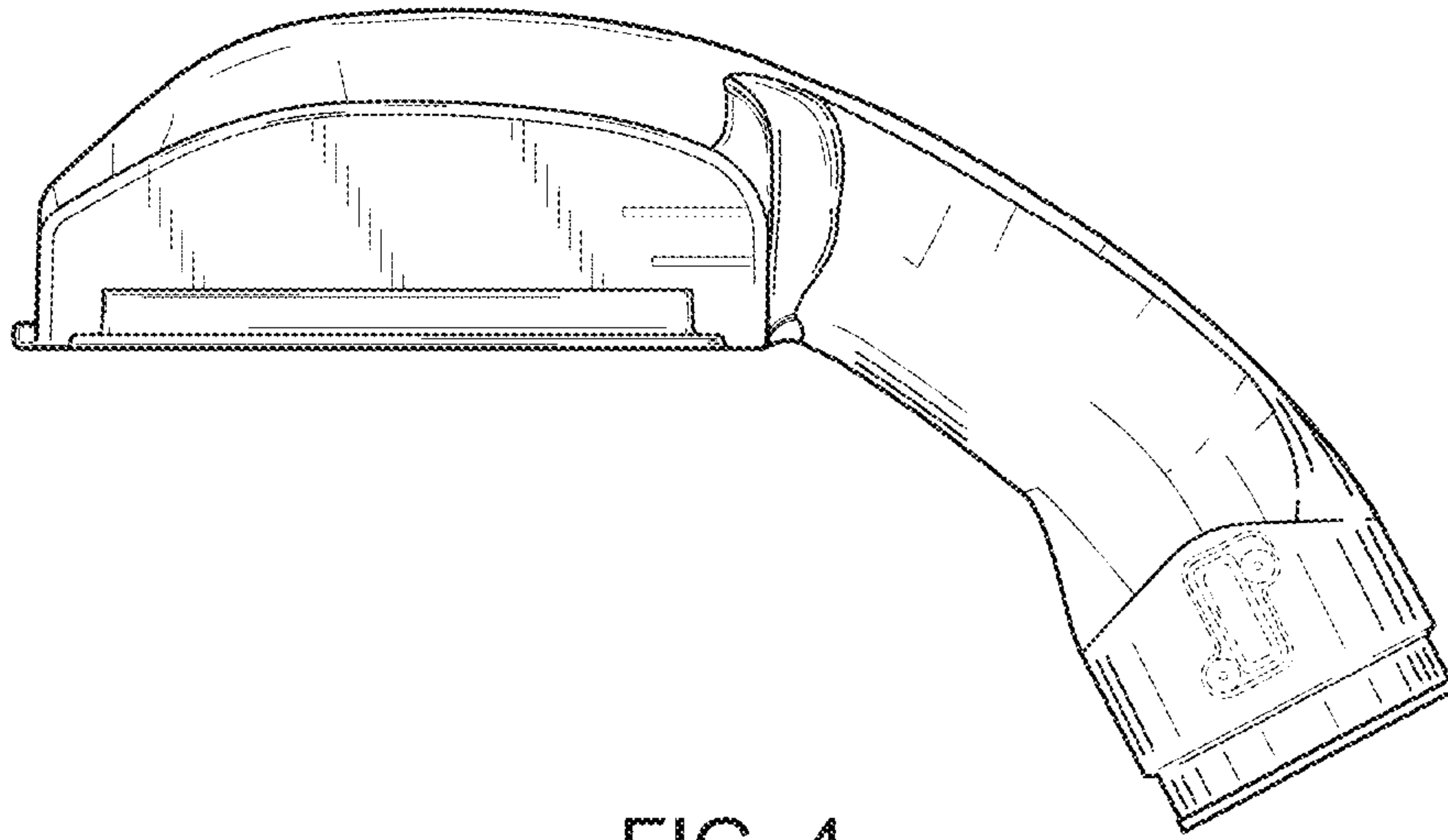


FIG. 4

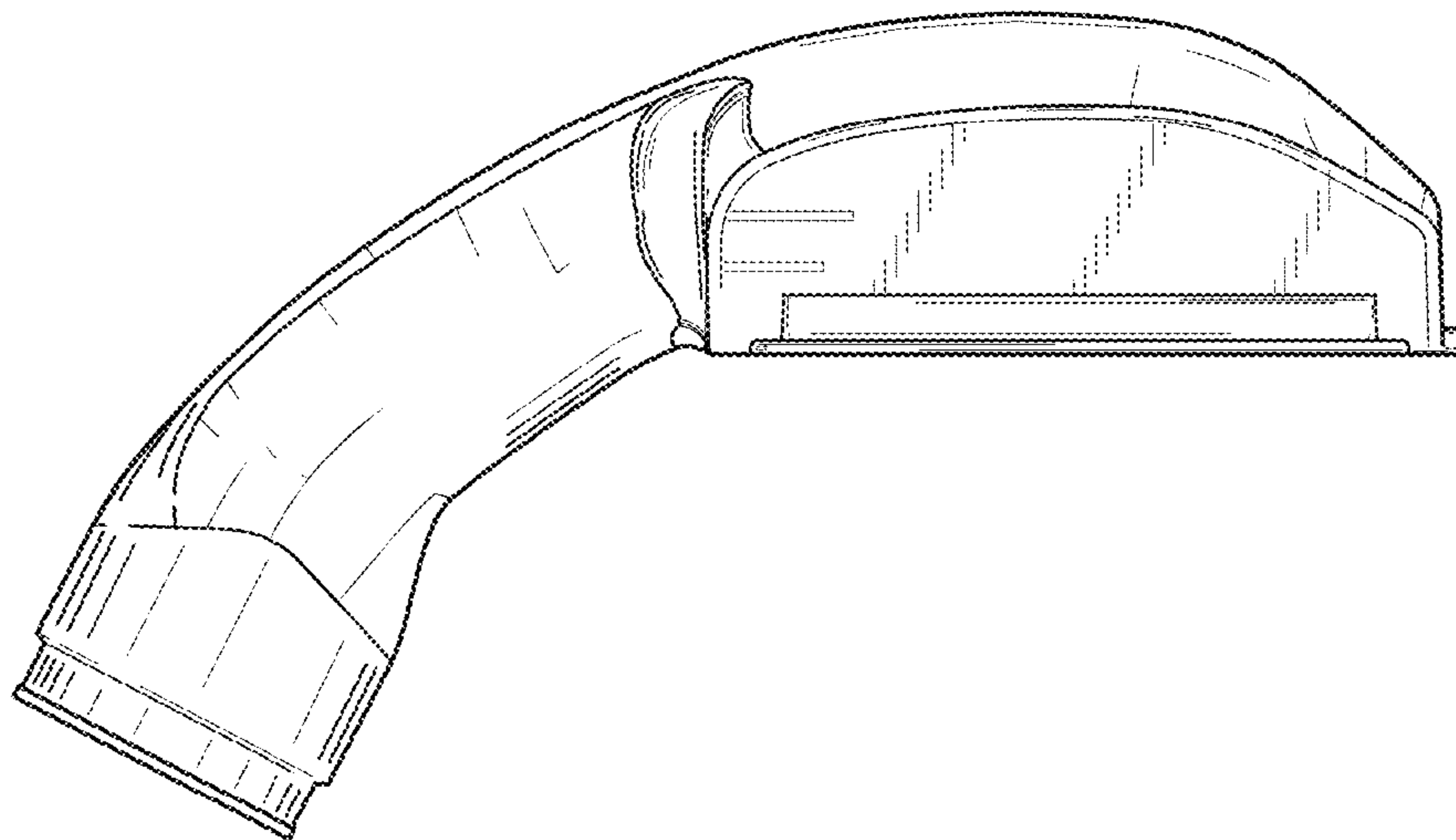


FIG. 5

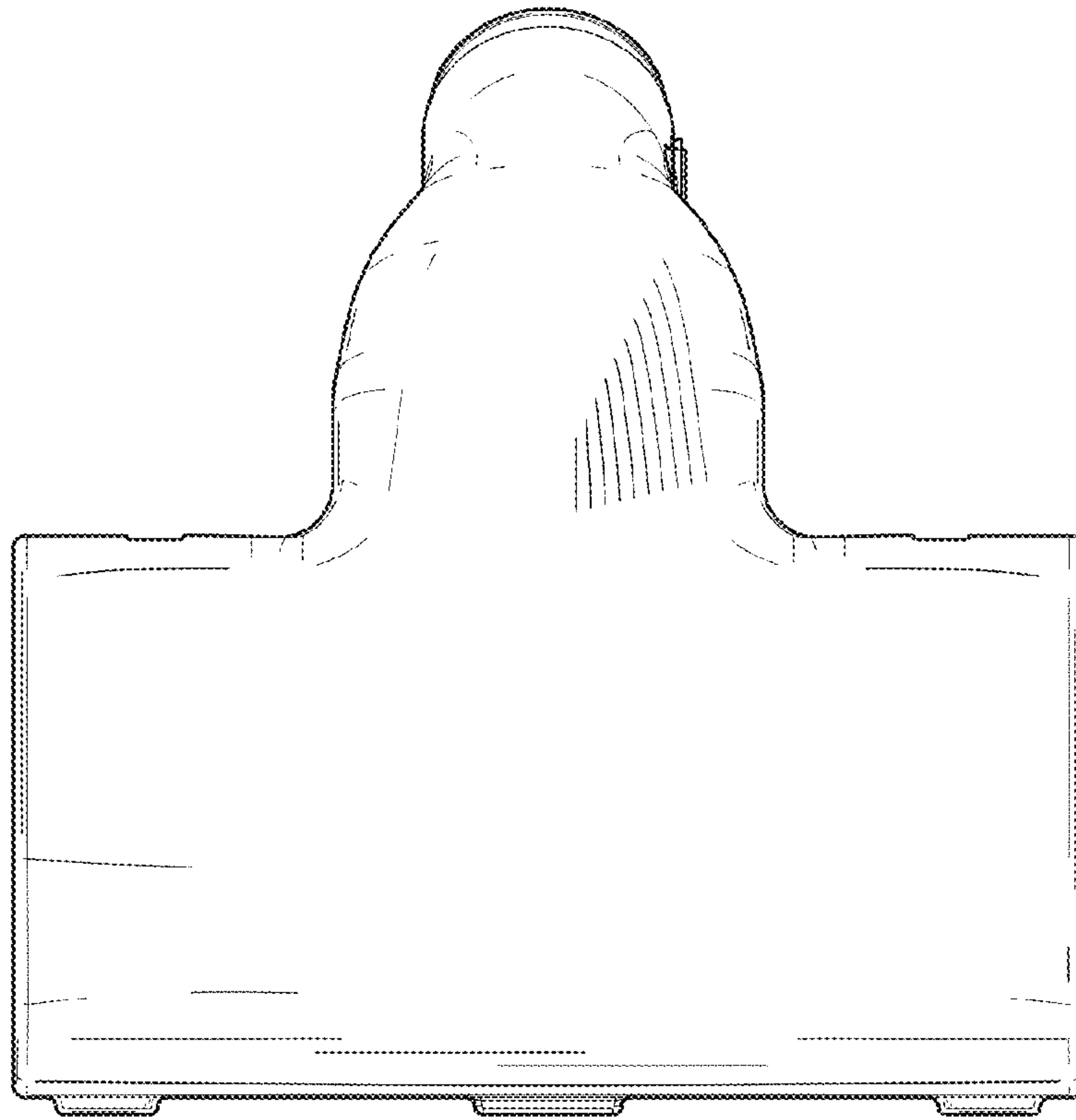


FIG. 6

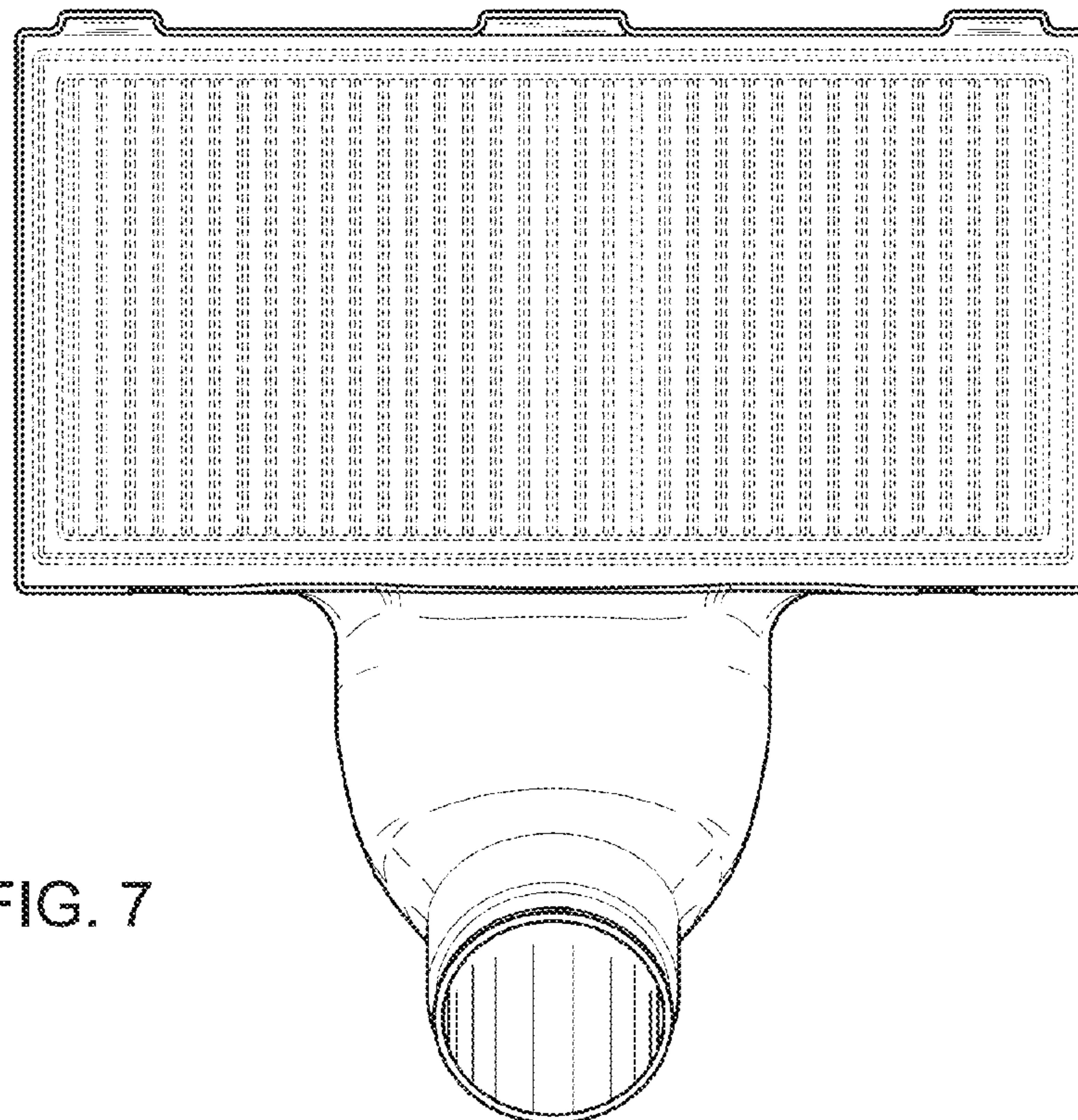


FIG. 7