



US00D715416S

(12) **United States Design Patent**
Marino et al.

(10) **Patent No.:** **US D715,416 S**
(45) **Date of Patent:** **** Oct. 14, 2014**

(54) **PLASTIC BASEBOARD HEATER DEVICE**
(71) Applicant: **Plastx USA Corp.**, Oceanside, NY (US)
(72) Inventors: **Angelo Marino**, Oceanside, NY (US);
Gregory Meller, Oceanside, NY (US)
(73) Assignee: **Plastx USA Corp.**, Oceanside, NY (US)
(**) Term: **14 Years**

(21) Appl. No.: **29/479,874**
(22) Filed: **Jan. 21, 2014**
(51) **LOC (10) Cl.** **23-03**
(52) **U.S. Cl.**
USPC **D23/342**
(58) **Field of Classification Search**
CPC H01L 23/473; H01L 21/67109; H01L
23/3733; H01L 23/427; H01L 23/467; H01L
21/67115; H01L 2224/83192; H01L 23/4006;
H01L 2023/4081; H01L 21/67248; H01L
23/4338; H01L 23/4735; H01L 35/30
USPC D23/395, 389, 342, 347, 386, 388, 393,
D23/332, 330, 335; 165/55, 65, 53, 185, 47,
165/67, 70; 454/288, 287; 392/352; 237/79
See application file for complete search history.

(56) **References Cited**
U.S. PATENT DOCUMENTS
1,956,617 A * 5/1934 Jaffe 165/129
2,477,824 A * 8/1949 Reiss 165/55

D178,926 S * 10/1956 McElgin D23/328
2,870,699 A * 1/1959 Richards 454/288
2,930,880 A * 3/1960 Thompson 392/352
2,976,389 A * 3/1961 Burger et al. 392/353
3,250,457 A * 5/1966 Walker 415/211.1
3,310,652 A * 3/1967 Williams, Jr. 392/352
3,488,475 A * 1/1970 Gronwoldt 392/352
5,963,708 A * 10/1999 Wong 392/352
6,990,825 B2 * 1/2006 Hansen 62/285
D585,973 S * 2/2009 Geleziunas D23/395
2013/0140013 A1 * 6/2013 Webster et al. 165/185

* cited by examiner

Primary Examiner — T. Chase Nelson

Assistant Examiner — Ania Aman

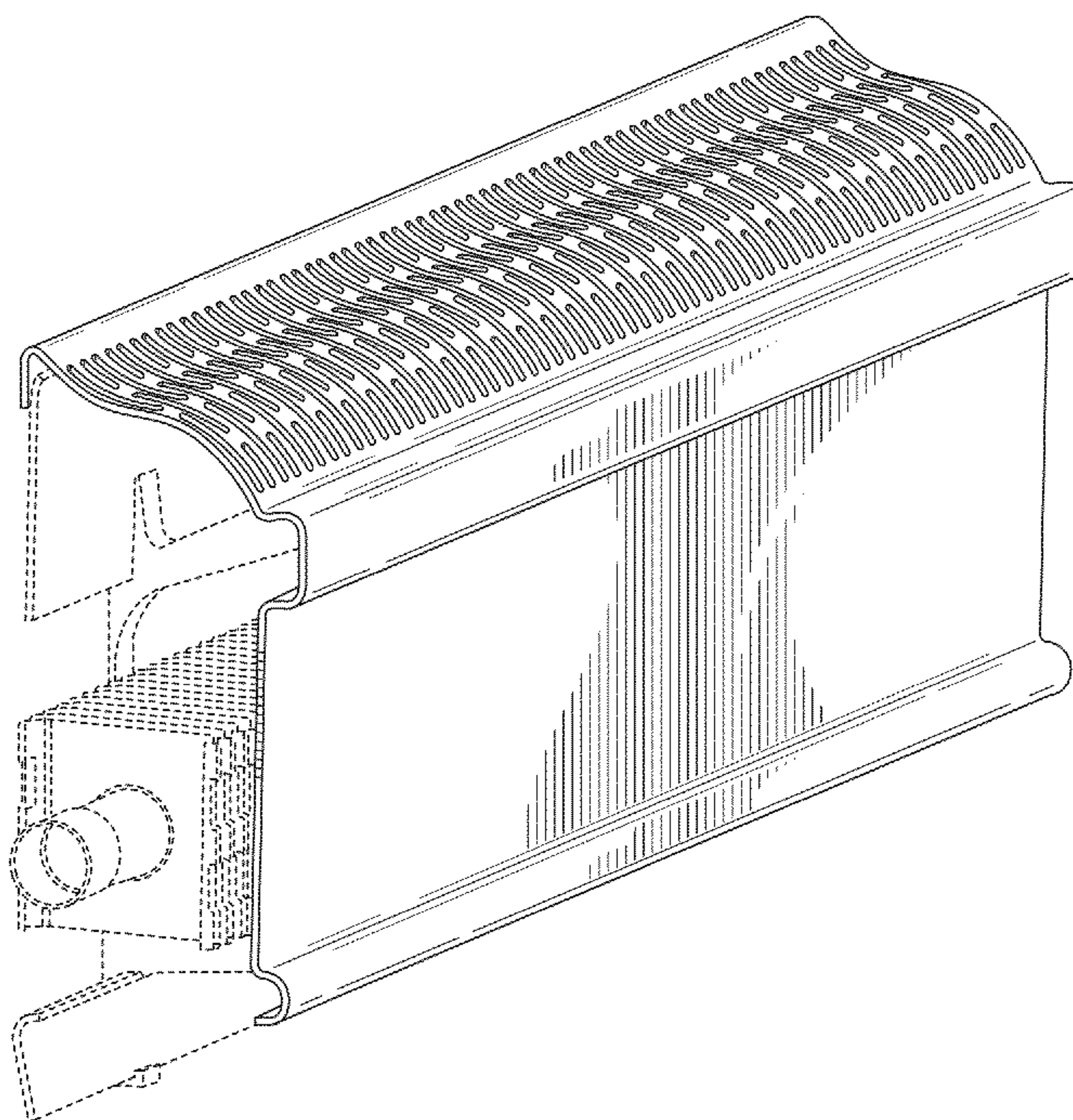
(74) *Attorney, Agent, or Firm* — Andrew S. Langsam, Esq.;
Pryor Cashman LLP

(57) **CLAIM**
The ornamental design for plastic baseboard heater device, as
shown and described.

DESCRIPTION

FIG. 1 is a side, perspective view of a plastic baseboard heater
device showing our new design;
FIG. 2 is a front elevational view thereof;
FIG. 3 is a left side elevational view thereof;
FIG. 4 is a right side elevational view thereof; and,
FIG. 5 is a top plan view thereof.
The broken lines shown in the Figures are included for the
purpose of illustrating the environmental structure and form
no part of the claimed design.

1 Claim, 4 Drawing Sheets



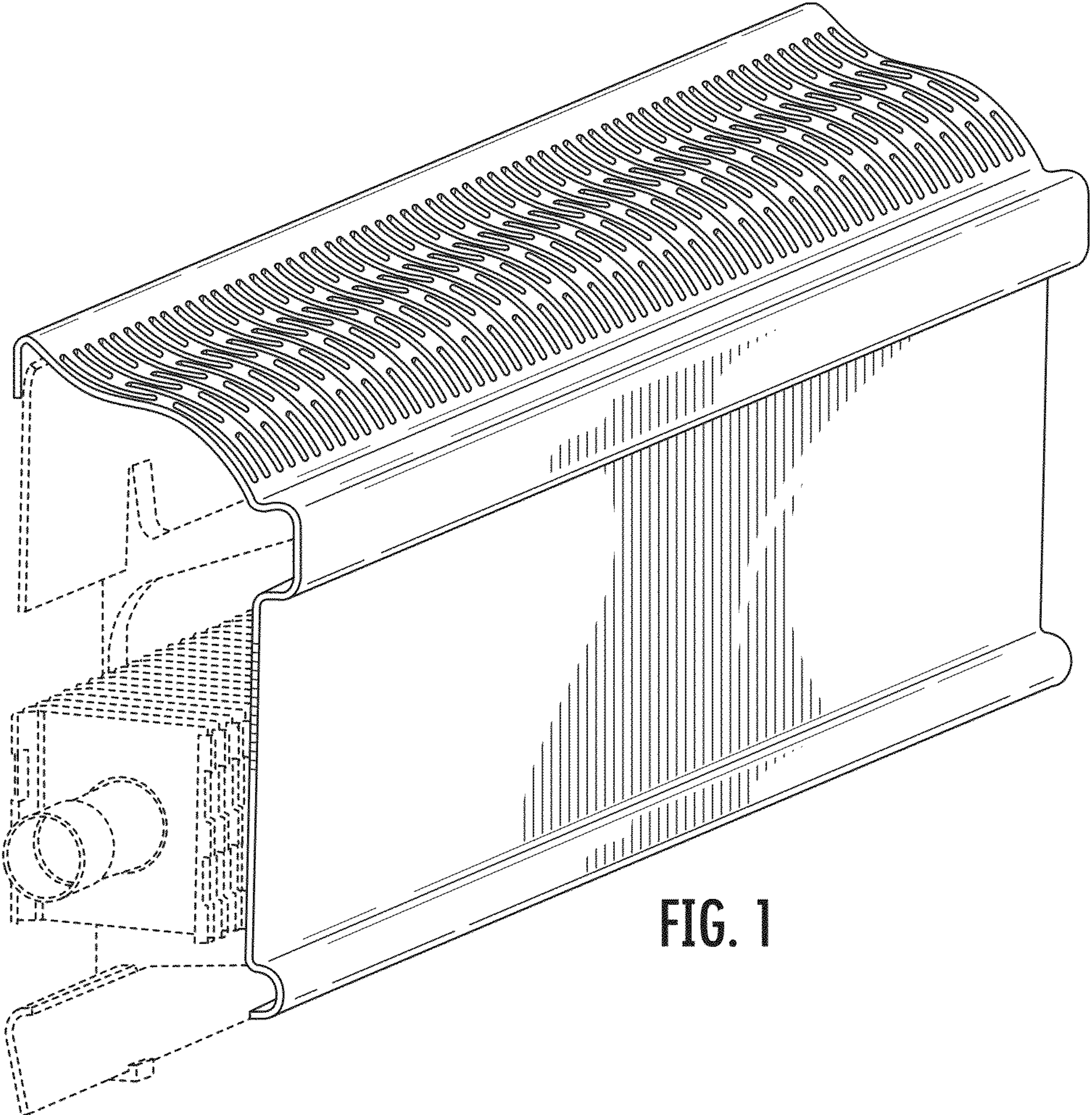


FIG. 1

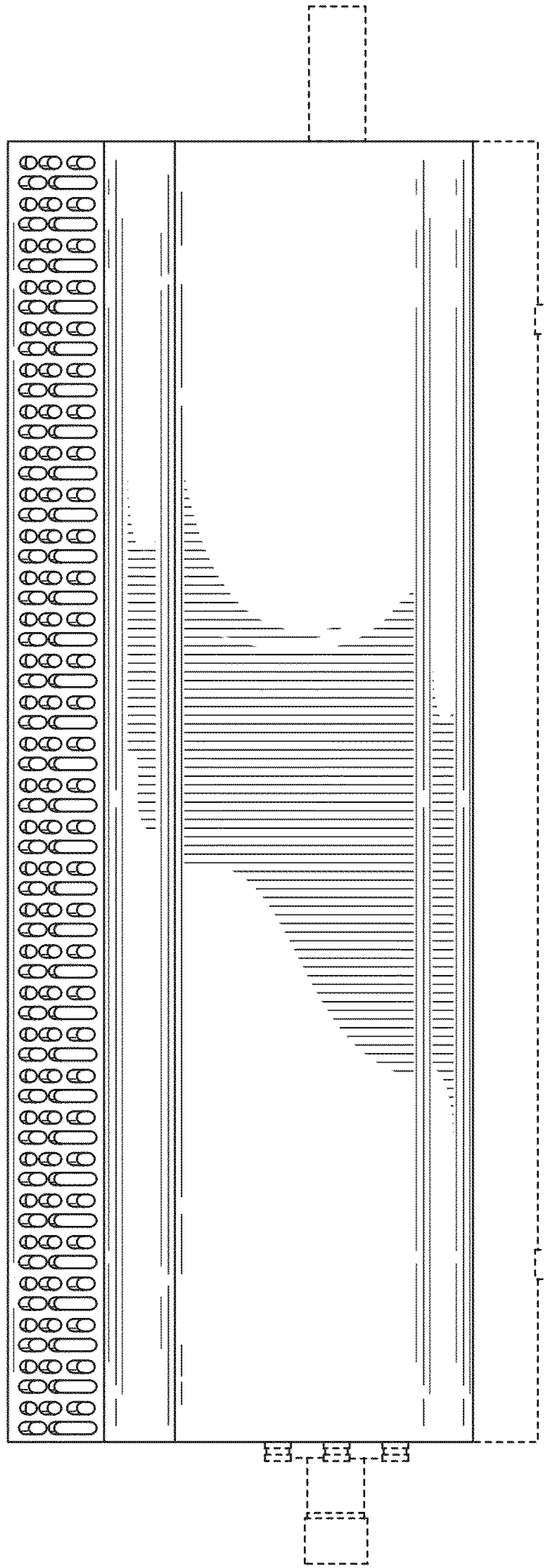


FIG. 2

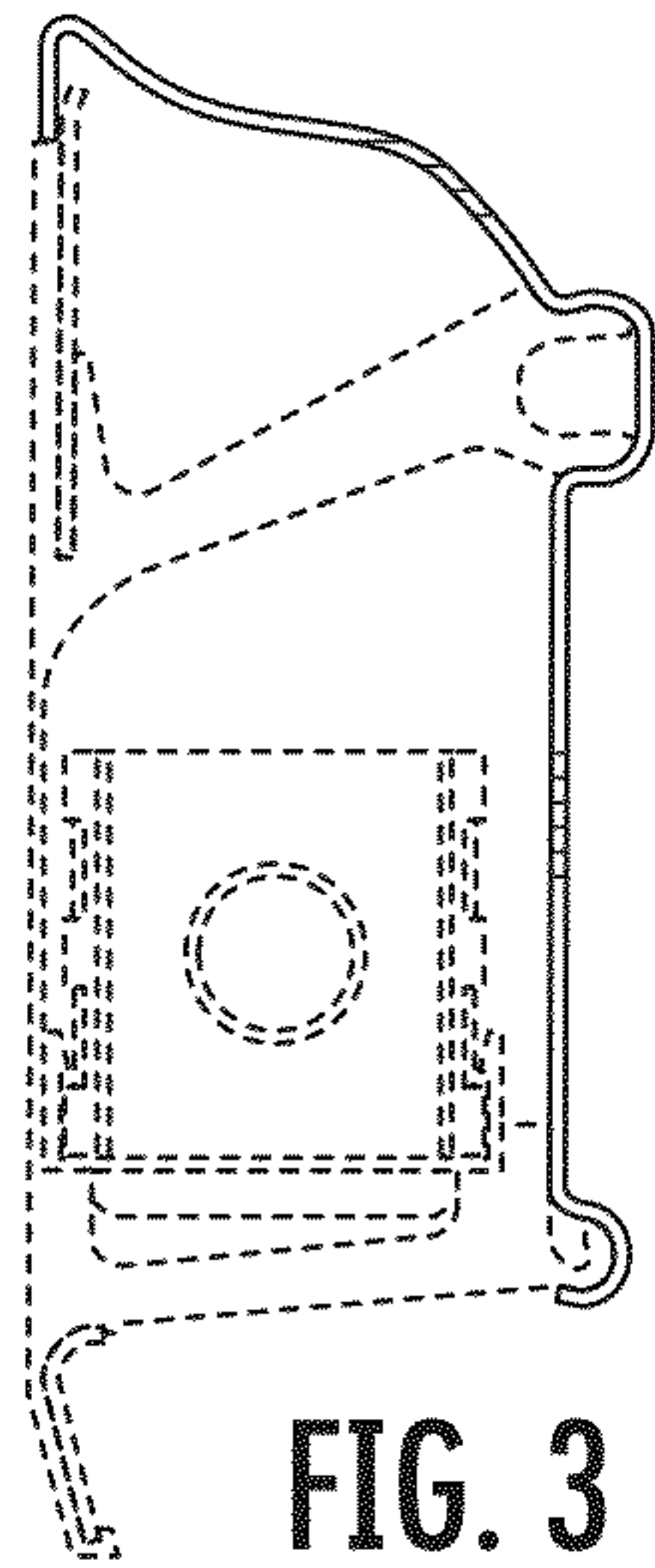


FIG. 3

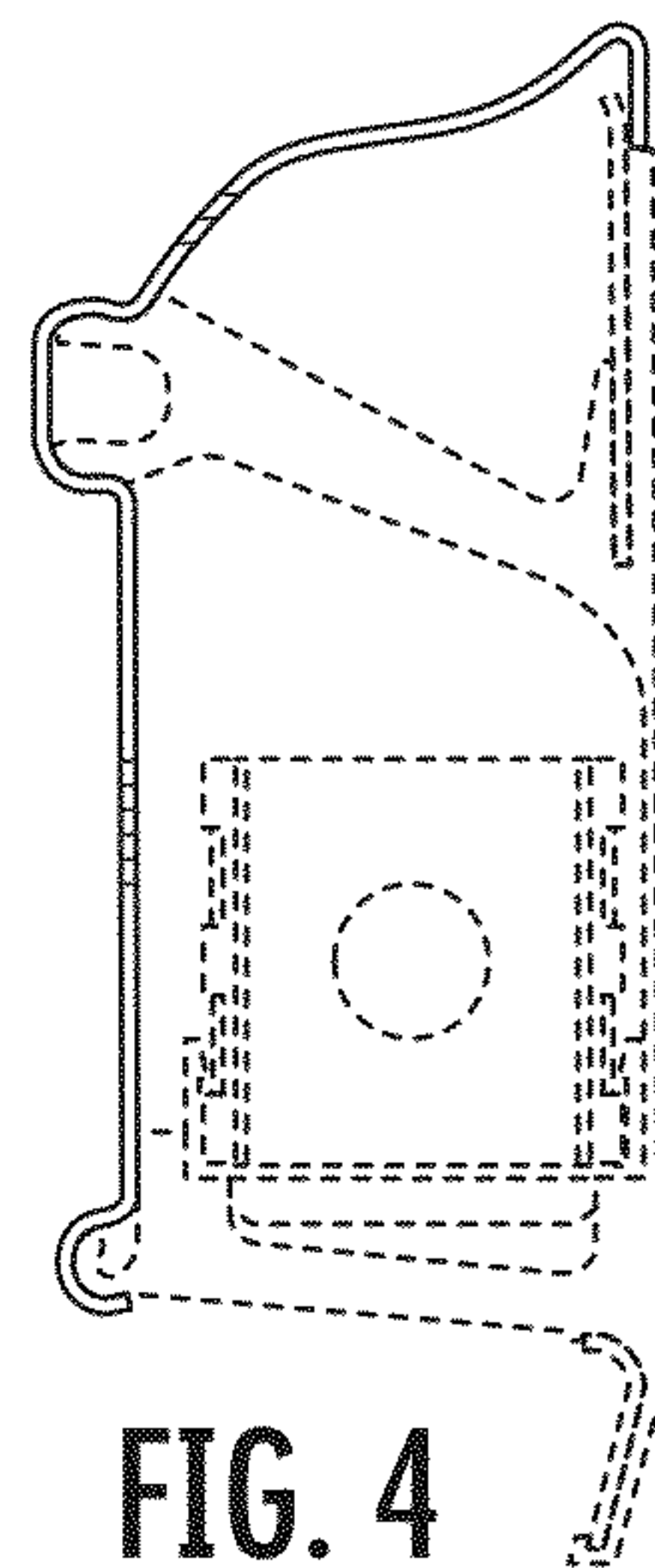


FIG. 4

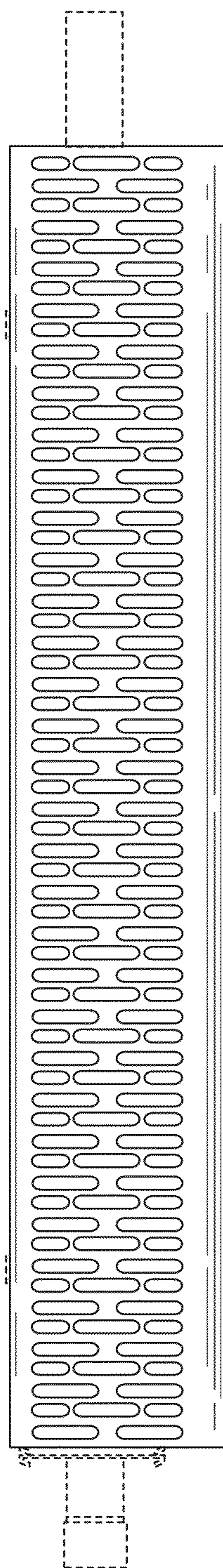


FIG. 5