



US00D715415S

(12) **United States Design Patent**  
**O'Brien et al.**

(10) **Patent No.:** **US D715,415 S**

(45) **Date of Patent:** **\*\* Oct. 14, 2014**

- (54) **SINK**
- (71) Applicant: **Kohler Co.**, Kohler, WI (US)
- (72) Inventors: **Sarah O'Brien**, Plymouth, WI (US);  
**Terrence K. Mahon**, Whitefish Bay, WI (US);  
**Ryan R. Detlaff**, Sheboygan, WI (US)
- (73) Assignee: **Kohler Co.**, Kohler, WI (US)
- (\*\*) Term: **14 Years**
- (21) Appl. No.: **29/488,570**
- (22) Filed: **Apr. 21, 2014**

- D561,879 S 2/2008 Gilbert et al.
- D588,246 S 3/2009 Eilmus et al.
- D603,025 S 10/2009 Mahon
- D624,164 S 9/2010 Kakihana et al.
- D635,231 S 3/2011 Primmer
- 7,954,183 B2 6/2011 Cawthon
- 1,070,424 A1 8/2013 Denver
- 2006/0096018 A1 5/2006 Ball
- 2010/0251477 A1 10/2010 Bates
- 2011/0277694 A1 11/2011 Euse

*Primary Examiner* — Robert Delehanty  
(74) *Attorney, Agent, or Firm* — Foley & Lardner LLP

(57) **CLAIM**  
We claim the ornamental design for a sink, as shown and described.

**DESCRIPTION**

FIG. 1 is a perspective view of an embodiment of the claimed design;  
FIG. 2 is a top plan view thereof;  
FIG. 3 is a bottom plan view thereof;  
FIG. 4 is a front plan view thereof;  
FIG. 5 is a rear plan view thereof;  
FIG. 6 is a left plan view thereof;  
FIG. 7 is a right plan view thereof;  
FIG. 8 is a cross-sectional view thereof, taken along line 8-8 in FIG. 2; and,  
FIG. 9 is another cross-sectional view thereof, taken along line 9-9 in FIG. 2.

The ornamental design which is claimed is shown in solid lines in the drawings. The broken lines in the drawings are for purposes of illustrating unclaimed portions of the design. Broken lines formed by equal length dashes show unclaimed portions of the design. Broken lines formed of unequal length dashes (i.e., dash-dot) show boundaries between claimed and unclaimed portions of the design. Symbolic break lines having a jagged element show that no particular length of the portion is claimed, such lines and any portion of the article between such lines forming no part of the claimed design.

**1 Claim, 8 Drawing Sheets**

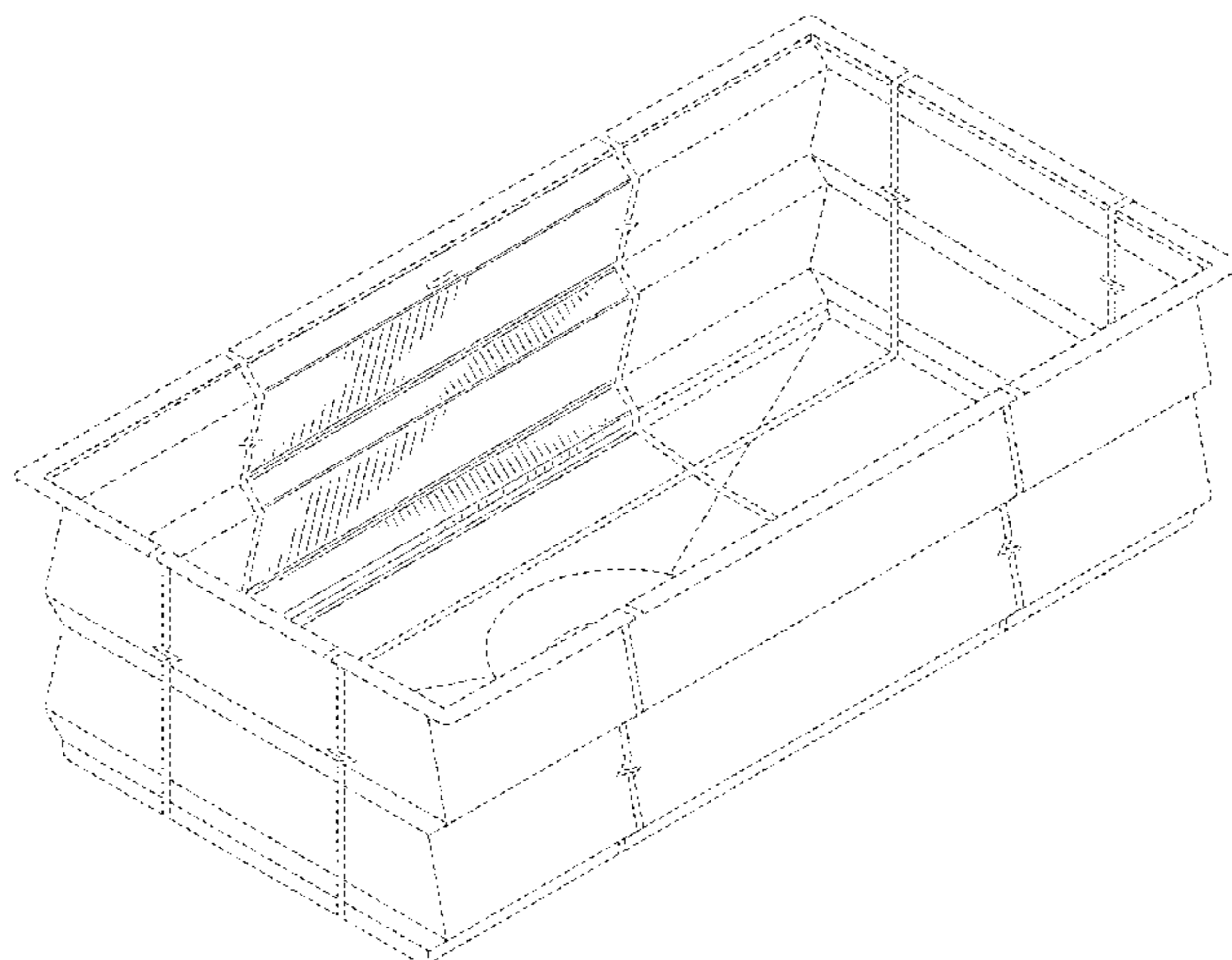
**Related U.S. Application Data**

- (62) Division of application No. 29/466,656, filed on Sep. 10, 2013.
- (51) **LOC (10) Cl.** ..... **23-02**
- (52) **U.S. Cl.**  
USPC ..... **D23/308**
- (58) **Field of Classification Search**  
USPC ..... D23/284, 293.1, 292, 303, 308, 285;  
4/619, 637, 638  
See application file for complete search history.

(56) **References Cited**

**U.S. PATENT DOCUMENTS**

- 2,676,477 A 4/1954 Smith
- 3,196,864 A 7/1965 Johnson
- 4,242,763 A 1/1981 Walker
- 4,336,620 A 6/1982 Gresh
- 4,655,169 A 4/1987 Pullola
- 5,179,740 A 1/1993 Marsilio et al.
- D389,901 S 1/1998 Kohler, Jr. et al.
- 5,715,547 A 2/1998 Becker et al.
- D442,679 S 5/2001 Roberts
- 6,554,944 B1 4/2003 Peters et al.
- D537,149 S 2/2007 Douglass et al.



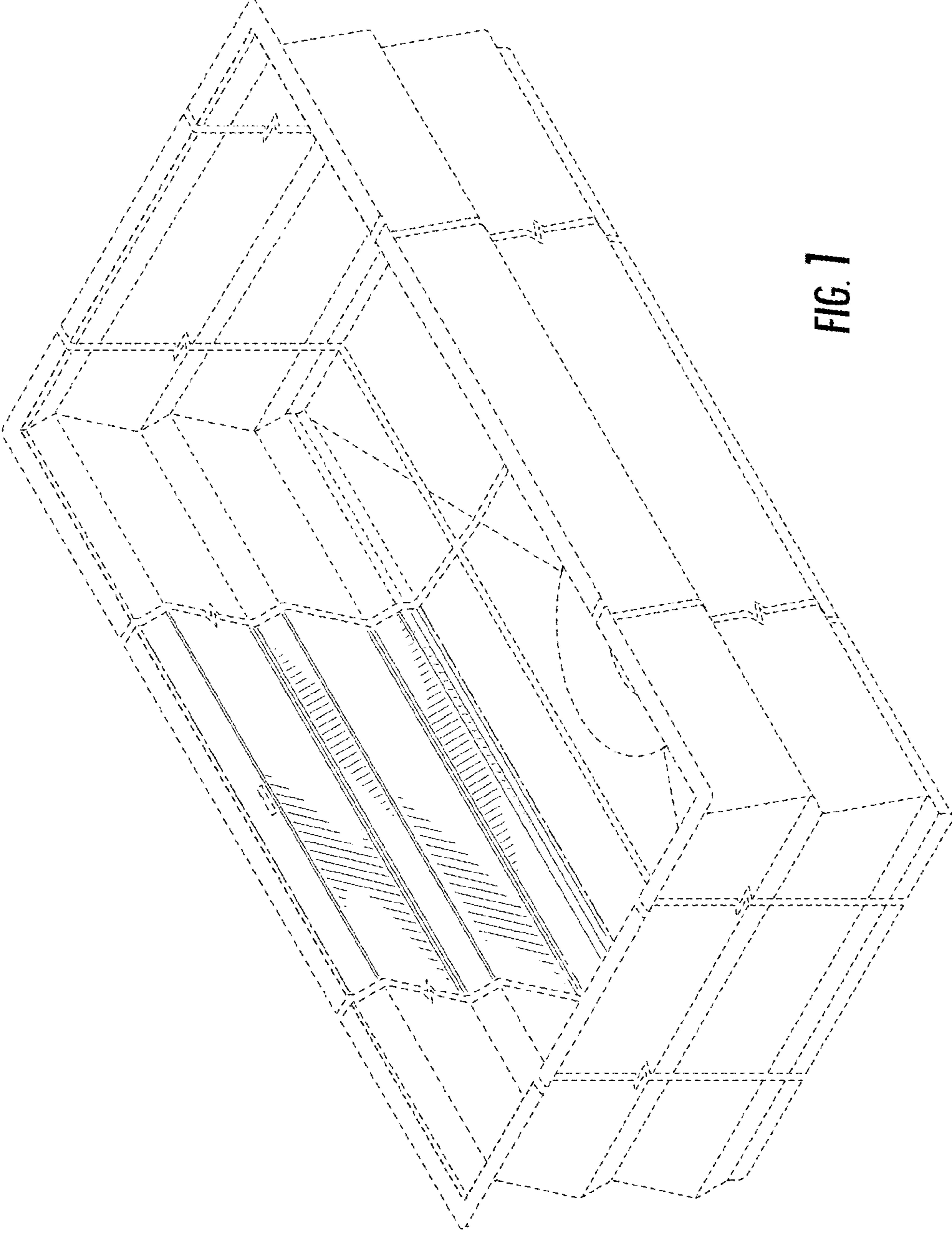
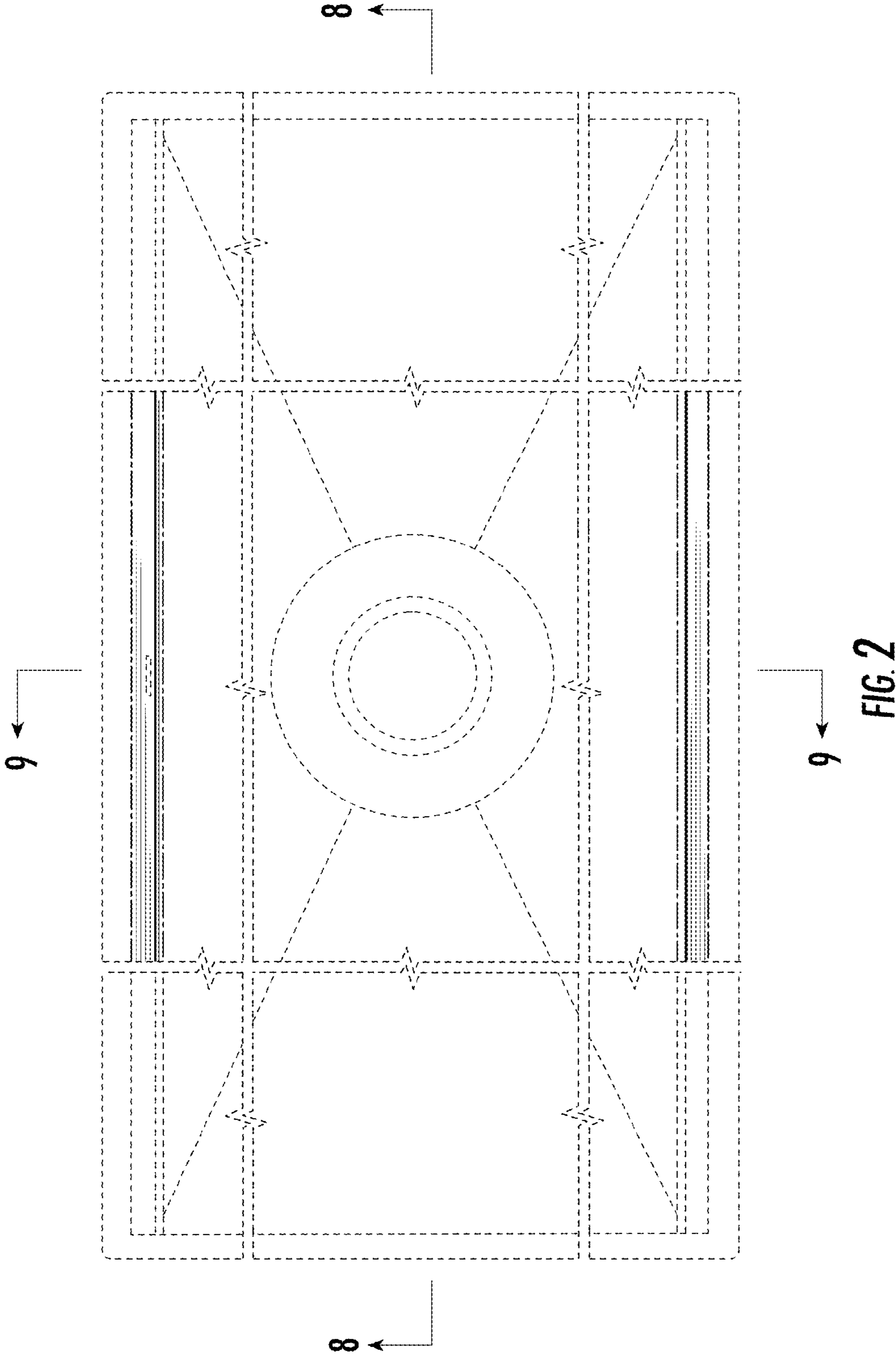


FIG. 1



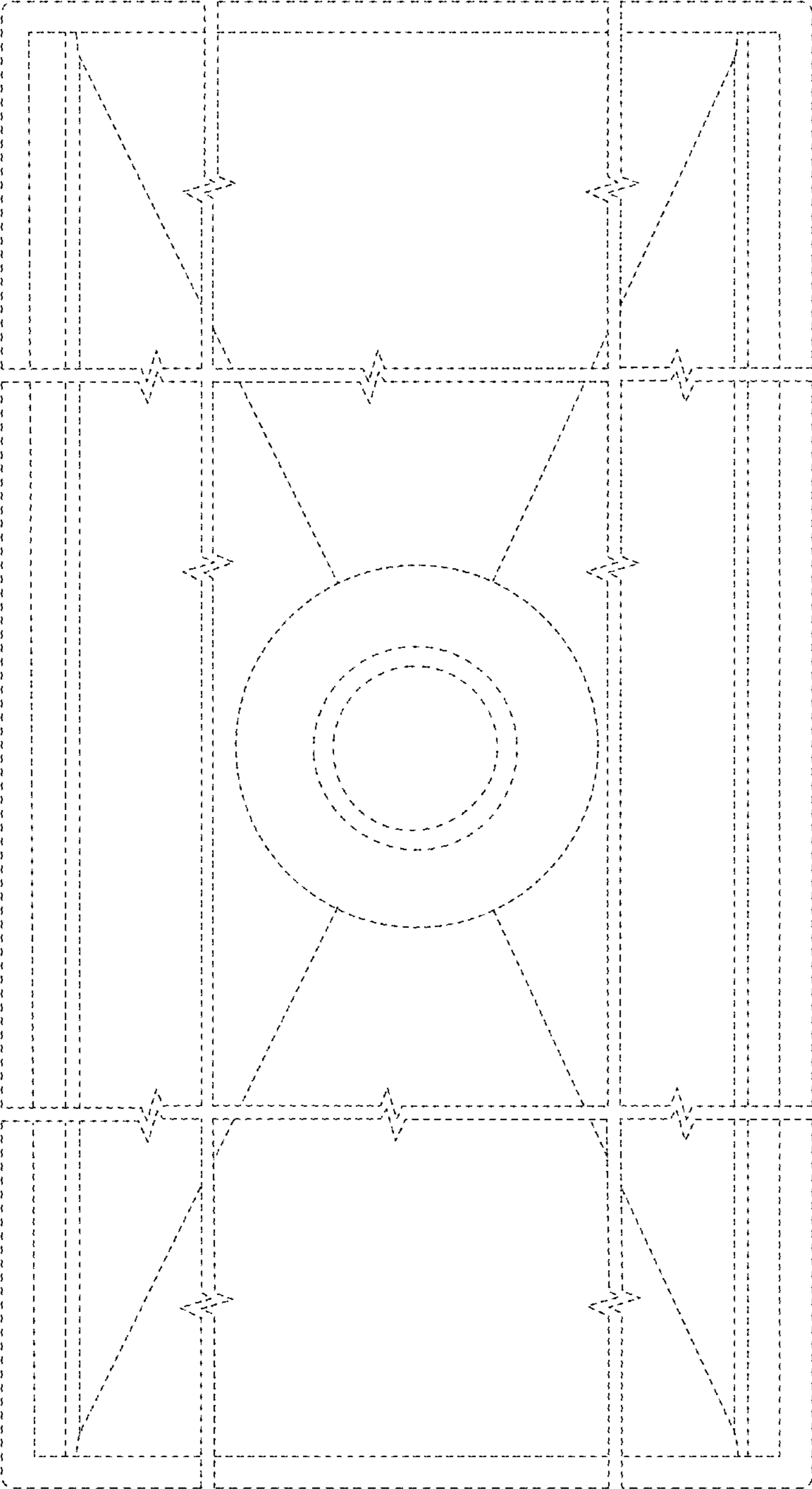


FIG. 3

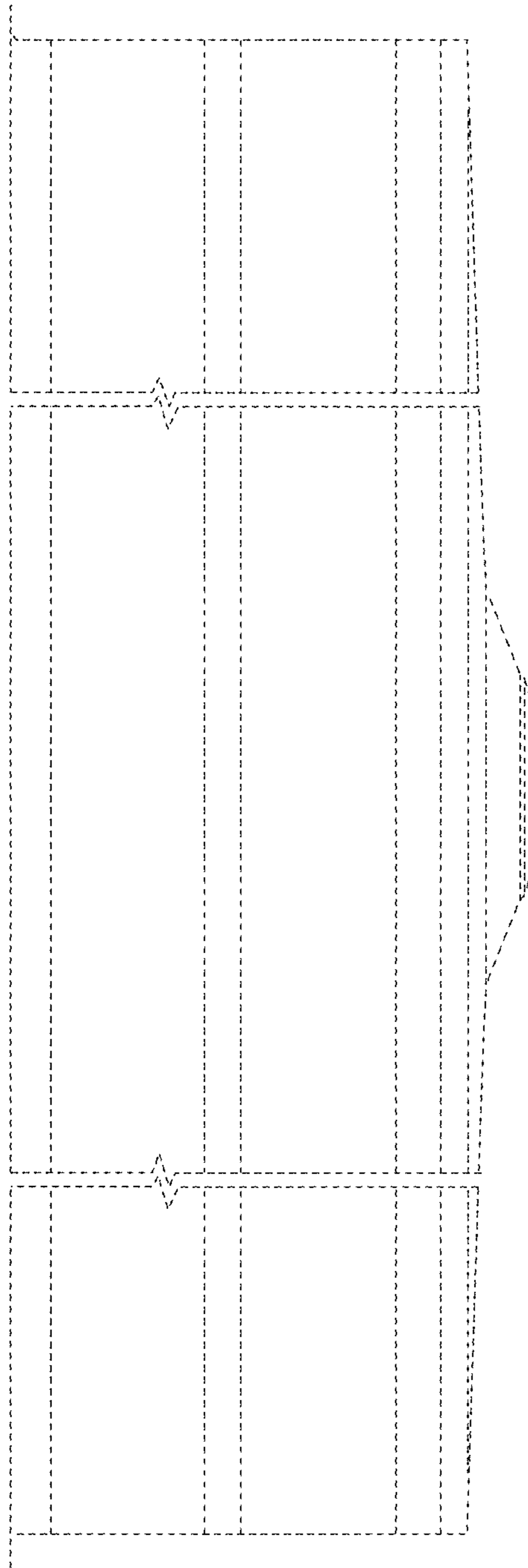


FIG. 4

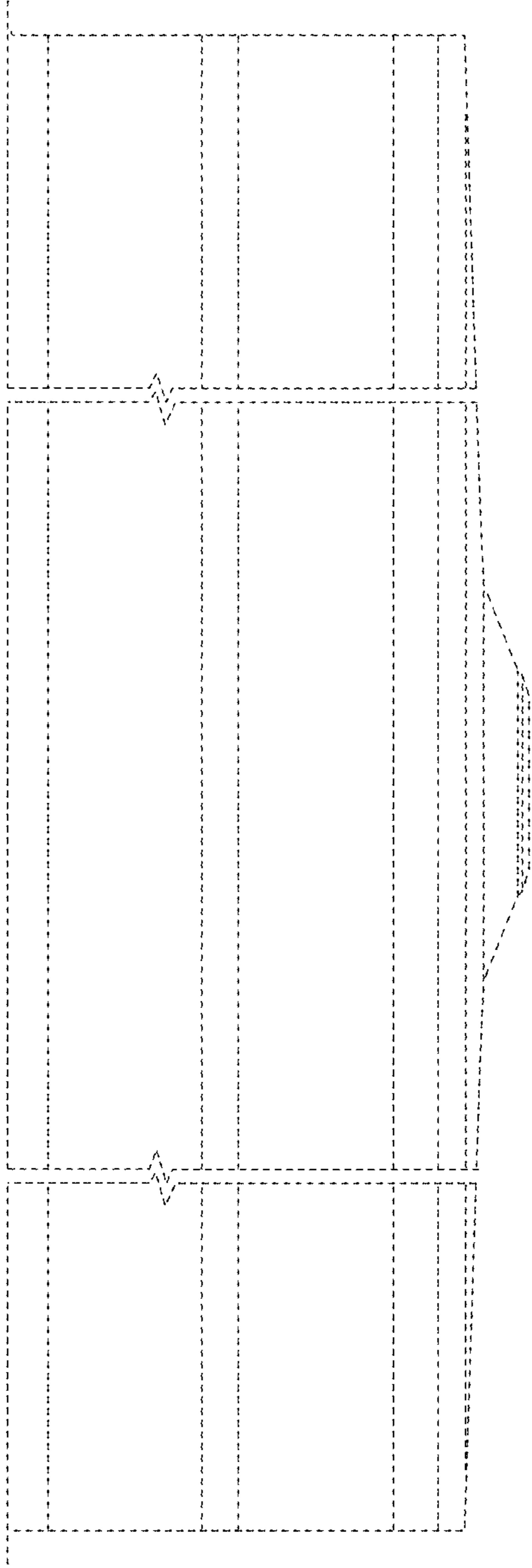


FIG. 5

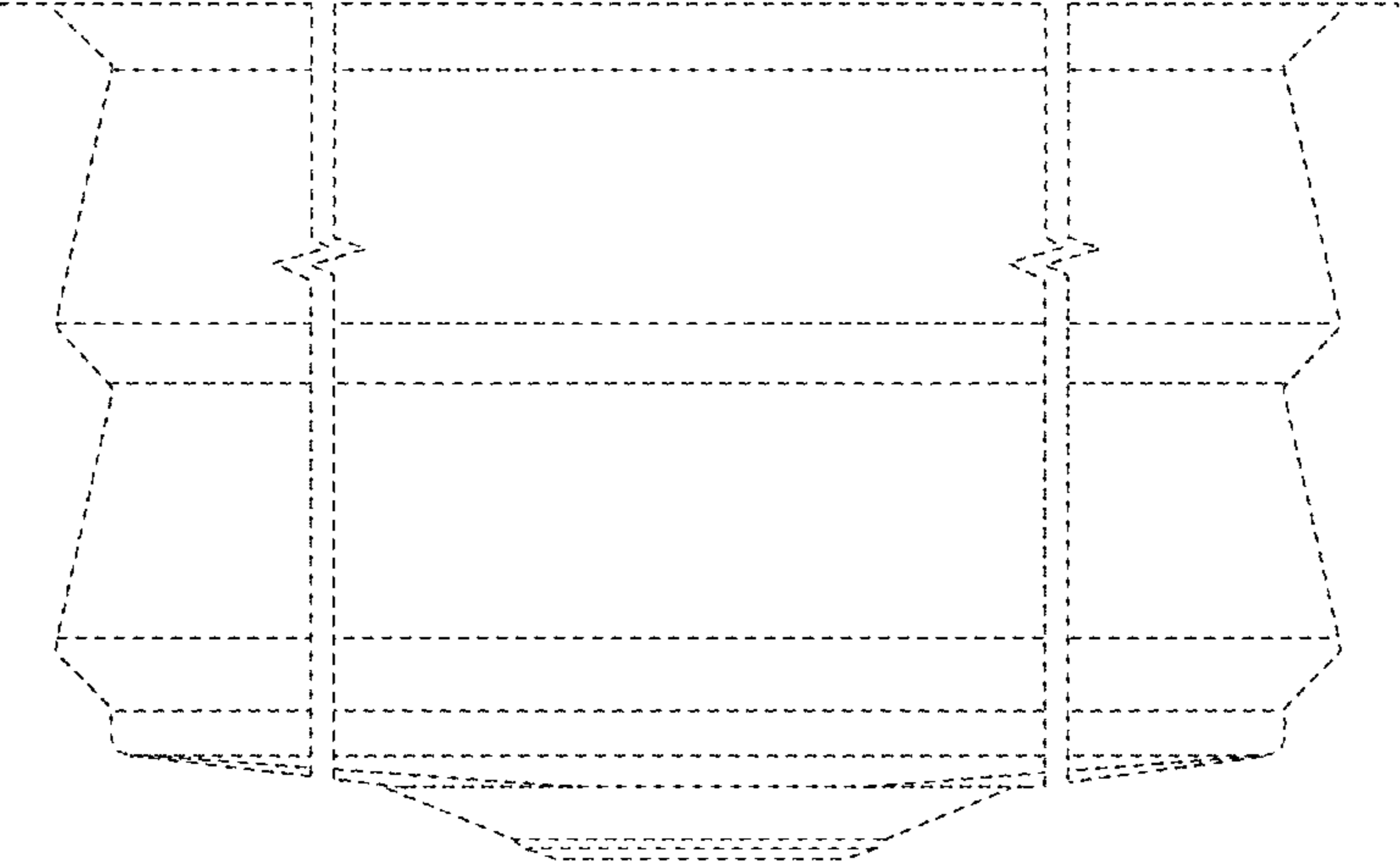


FIG. 6

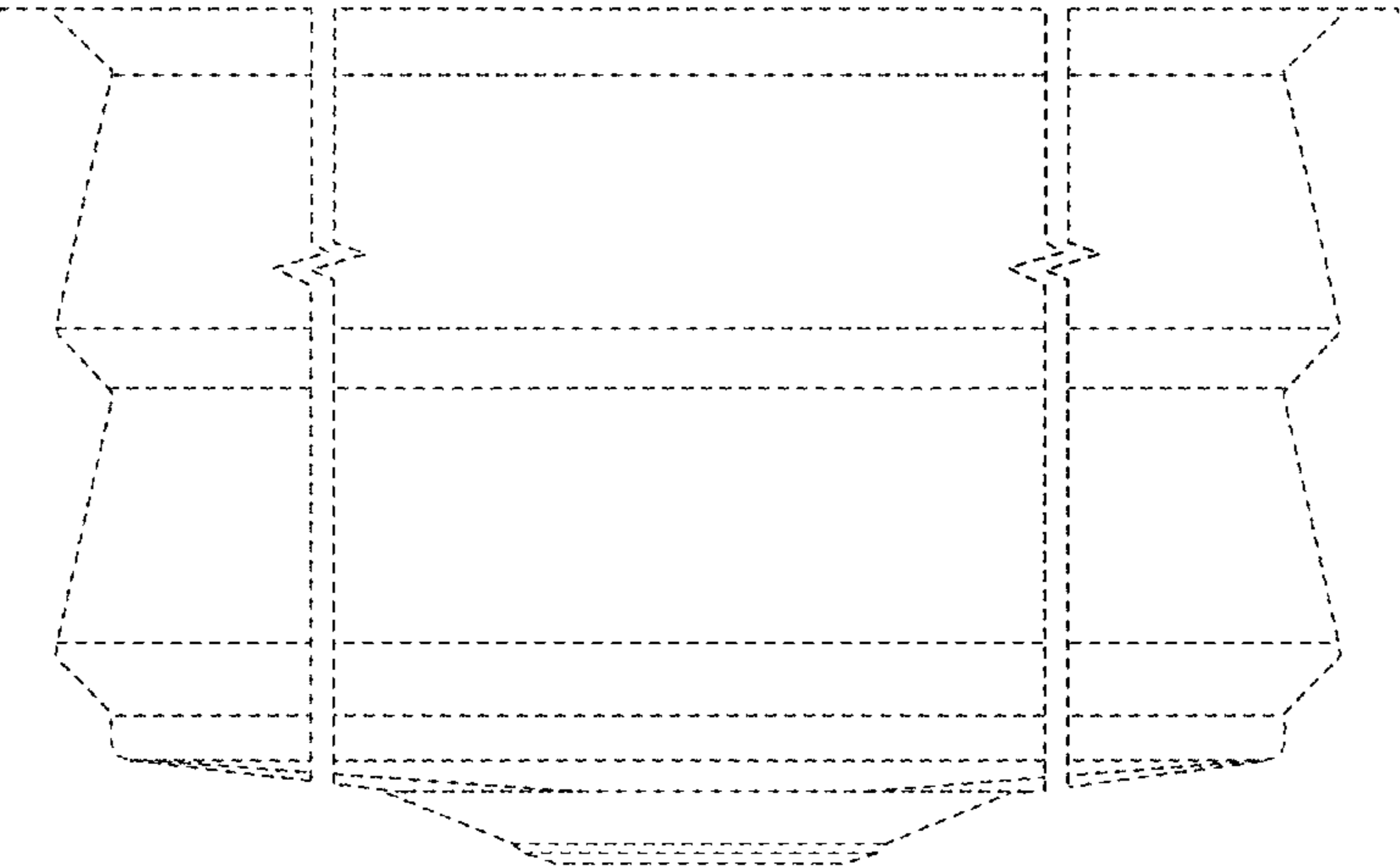


FIG. 7

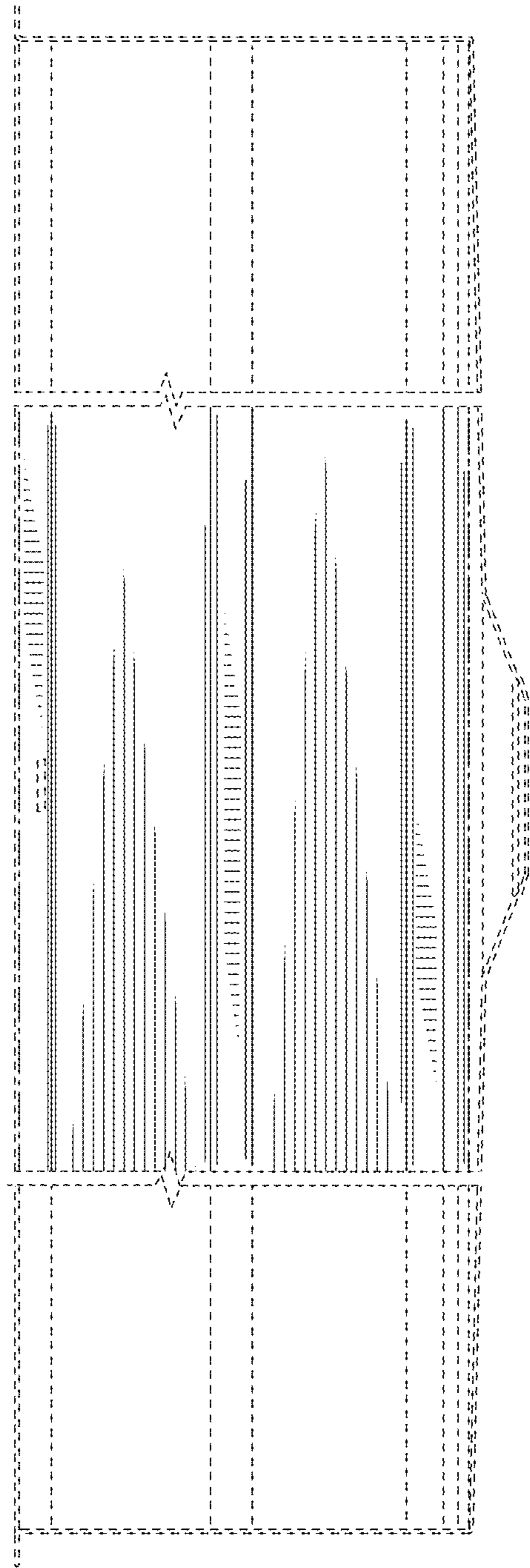
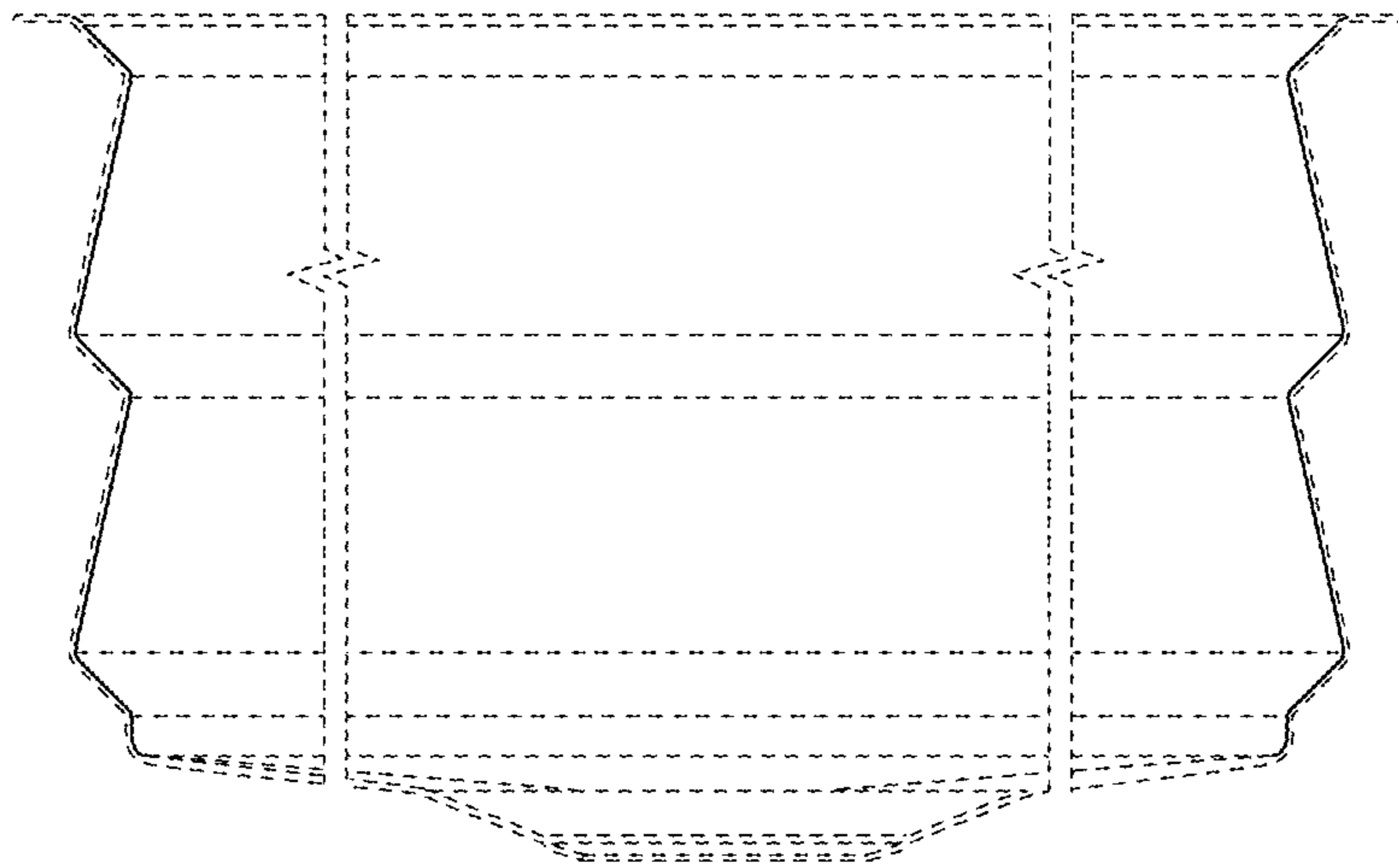


FIG. 8





**FIG. 9**