



US00D715414S

(12) **United States Design Patent**
Ryu et al.

(10) **Patent No.:** **US D715,414 S**

(45) **Date of Patent:** **** Oct. 14, 2014**

(54) **SINK**

(71) Applicant: **Samsung Electronics Co., Ltd.**,
Suwon-si (KR)

(72) Inventors: **Jinie Ryu**, Seoul (KR); **Jongchan Kwon**, Yongin-si (KR); **Ji Hyun Moon**, Gwangmyung-si (KR); **YangJic Lee**, Gwanchun-si (KR); **Sangmin Hyun**, Seoul (KR)

(73) Assignee: **Samsung Electronics Co., Ltd.** (KR)

(**) Term: **14 Years**

(21) Appl. No.: **29/464,193**

(22) Filed: **Aug. 14, 2013**

(30) **Foreign Application Priority Data**

Feb. 14, 2013 (KR) 30-2013-0007673

(51) **LOC (10) Cl.** **23-02**

(52) **U.S. Cl.**
USPC **D23/286**

(58) **Field of Classification Search**
USPC D23/284, 286, 287, 291, 293.1, 303,
D23/308; 4/619, 630, 631, 637-638, 650,
4/661; D24/234
See application file for complete search history.

(56) **References Cited**

U.S. PATENT DOCUMENTS

2,767,407 A * 10/1956 Weiss D23/284
D206,002 S * 10/1966 Wolfe D24/234

D225,403 S * 12/1972 Brendgord D23/284
D238,075 S * 12/1975 Harris D23/286
D367,105 S * 2/1996 Goertz D23/286
D534,626 S * 1/2007 Morris et al. D23/286
D624,197 S * 9/2010 Rindoks et al. D24/234
D641,842 S * 7/2011 Loberger et al. D23/308

* cited by examiner

Primary Examiner — Robert Delehanty

(74) *Attorney, Agent, or Firm* — Cantor Colburn LLP

(57) **CLAIM**

We claim, the ornamental design for a sink, as shown and described.

DESCRIPTION

FIG. 1 is the front/right-side/top perspective view of a sink showing our new design;

FIG. 2 is the front elevation view thereof;

FIG. 3 is the rear elevation view thereof;

FIG. 4 is the left-side elevation view thereof;

FIG. 5 is the right-side elevation view thereof;

FIG. 6 is the top-side plan view thereof;

FIG. 7 is the bottom-side plan view thereof; and,

FIG. 8 illustrates the sink in an extended position.

The surface treatment of the sink shown in the figures forms no part of the claimed design, a sink according to the claimed design may have any surface treatment.

It is contemplated that other embodiments of their design may include any part, portion, element or combination of elements of the claimed design.

The broken lines illustrating portions of the sink are for environmental purposes only and form no part of the claimed design.

1 Claim, 7 Drawing Sheets

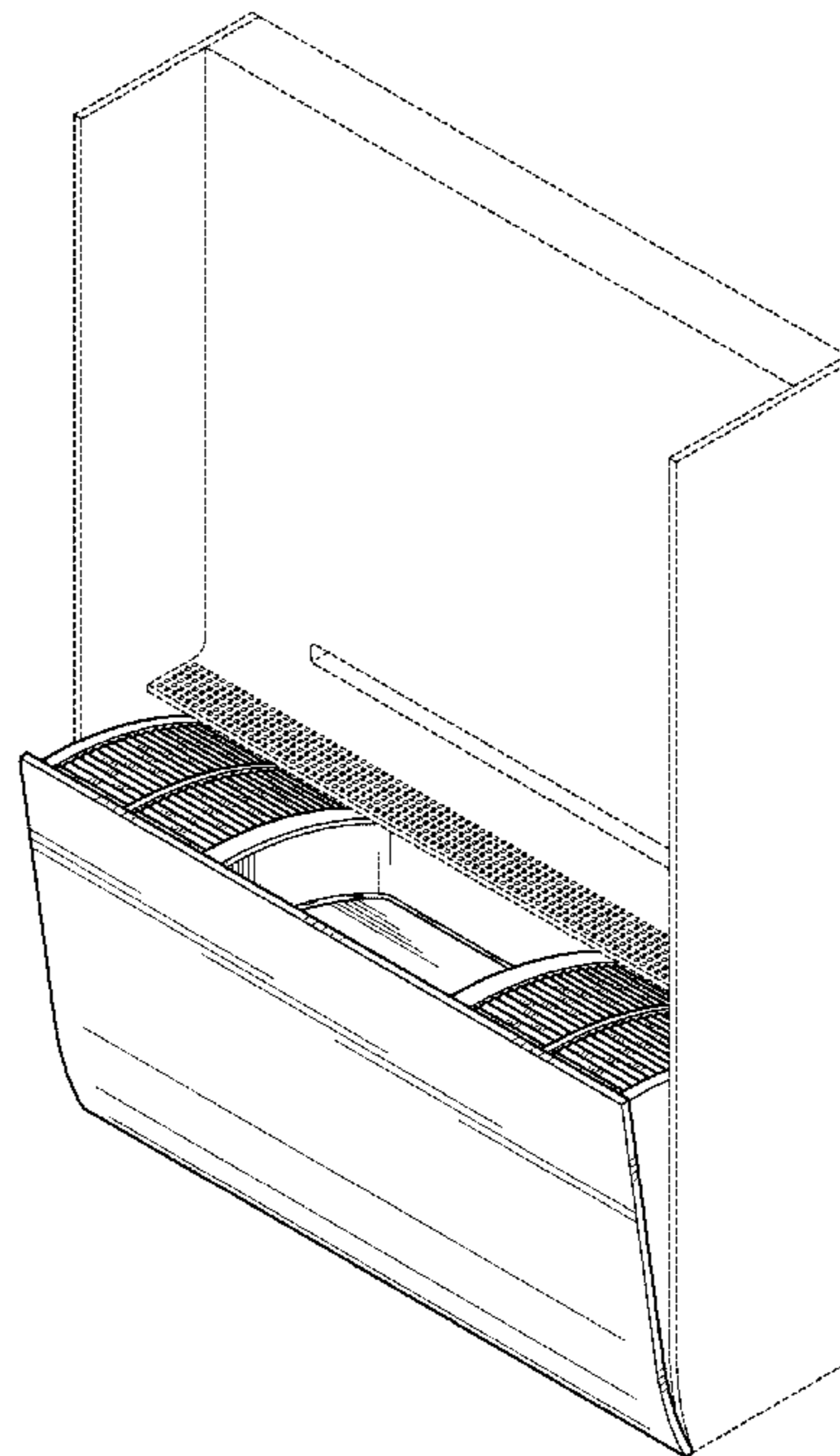
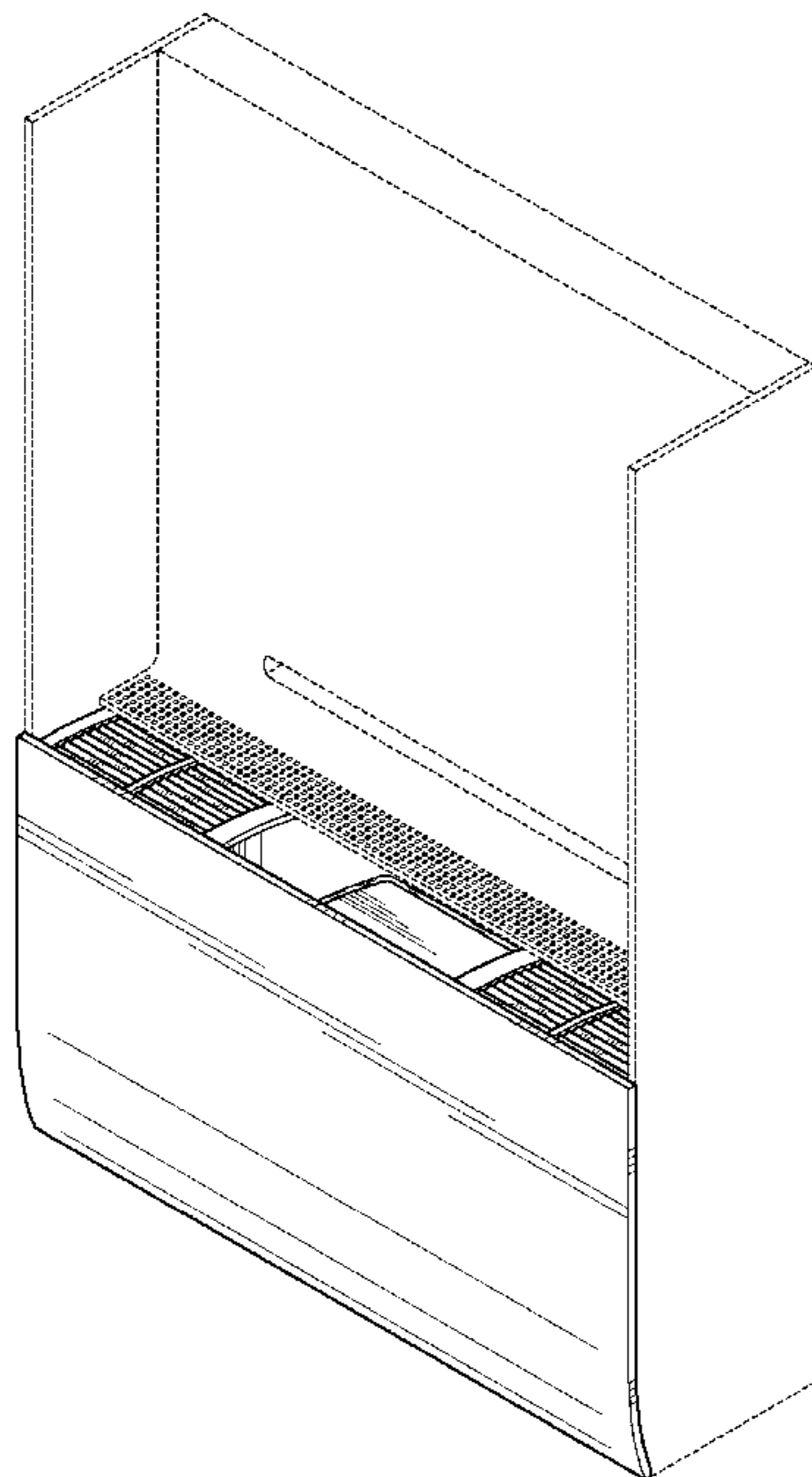


FIG. 1

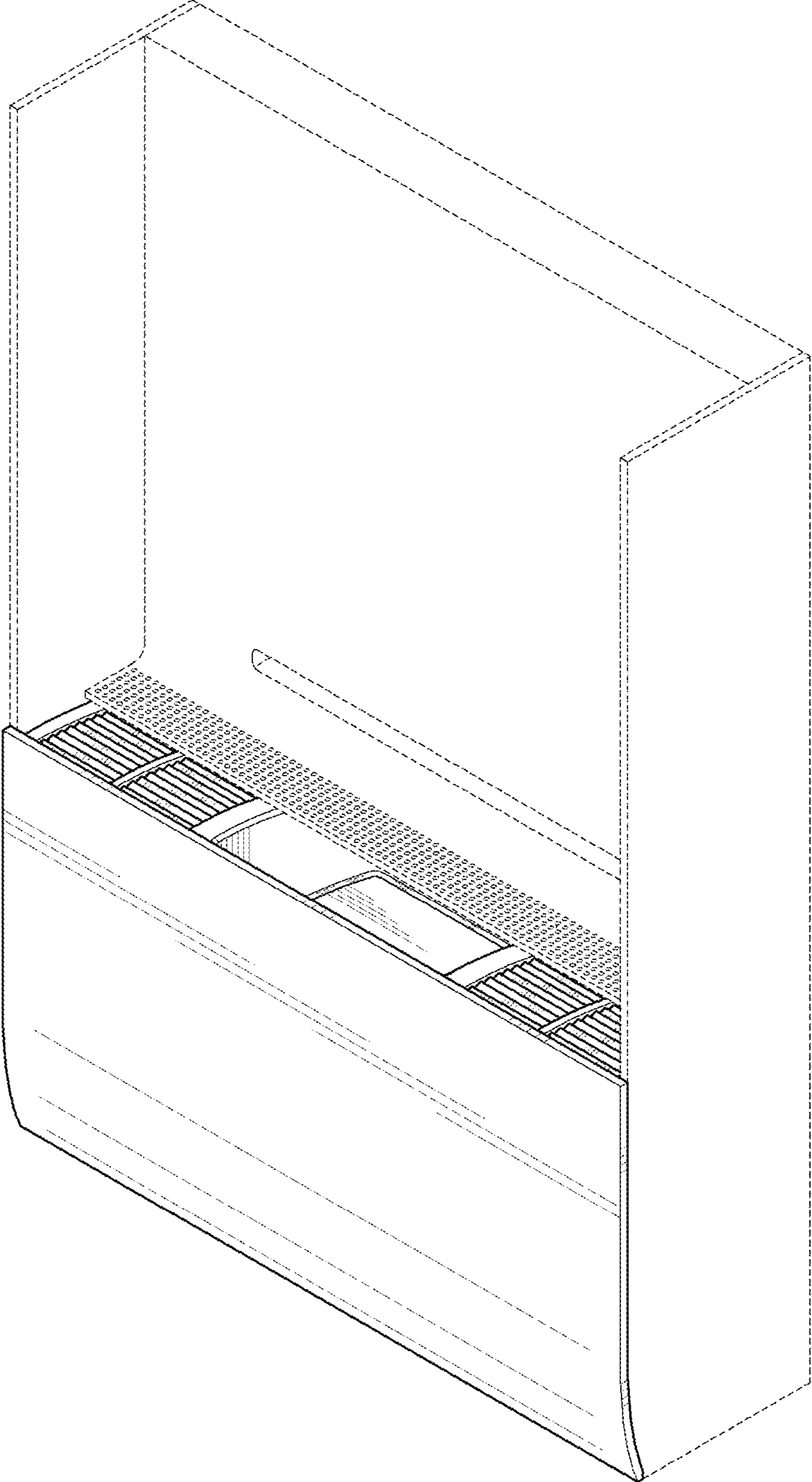


FIG. 2

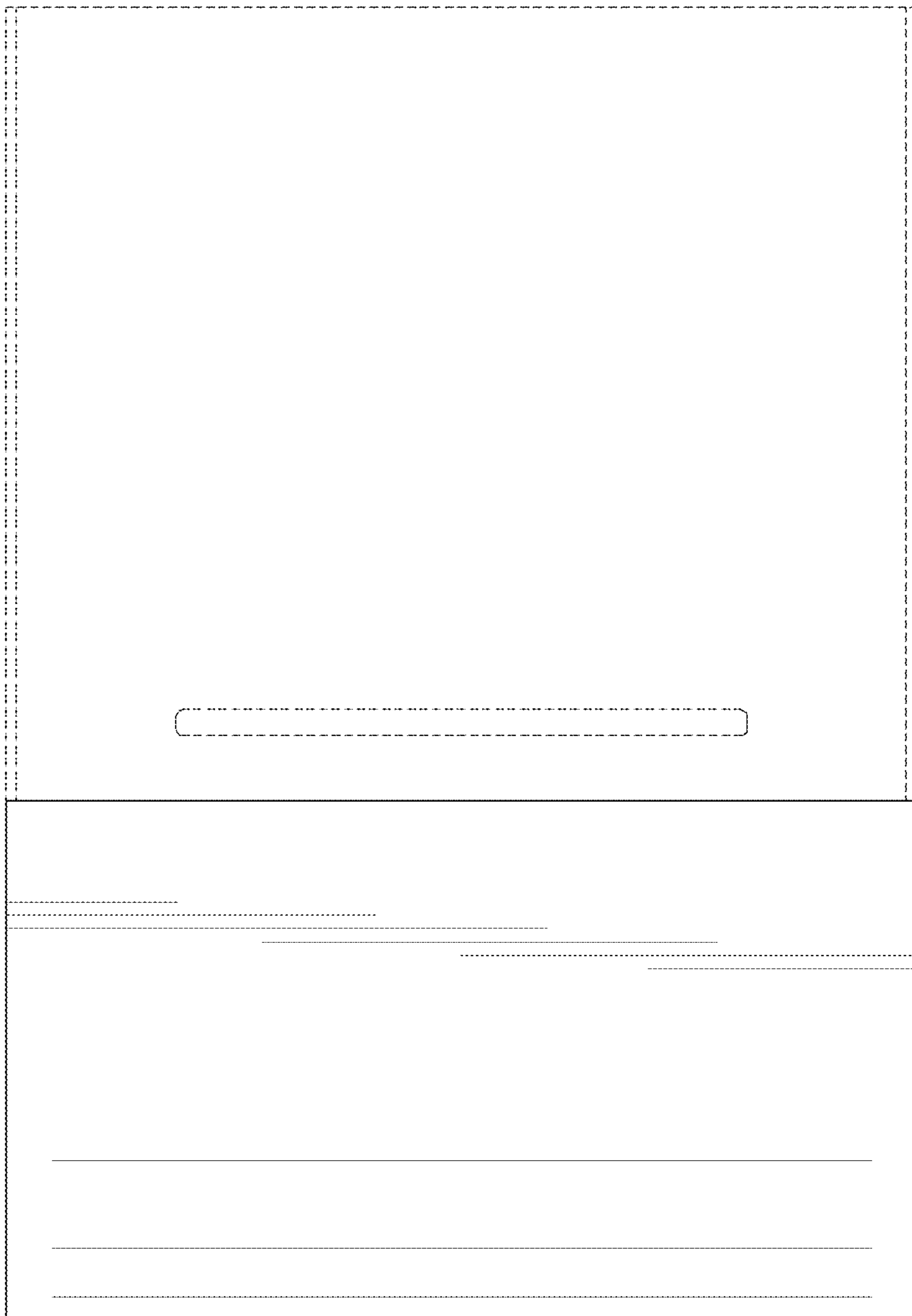


FIG. 3

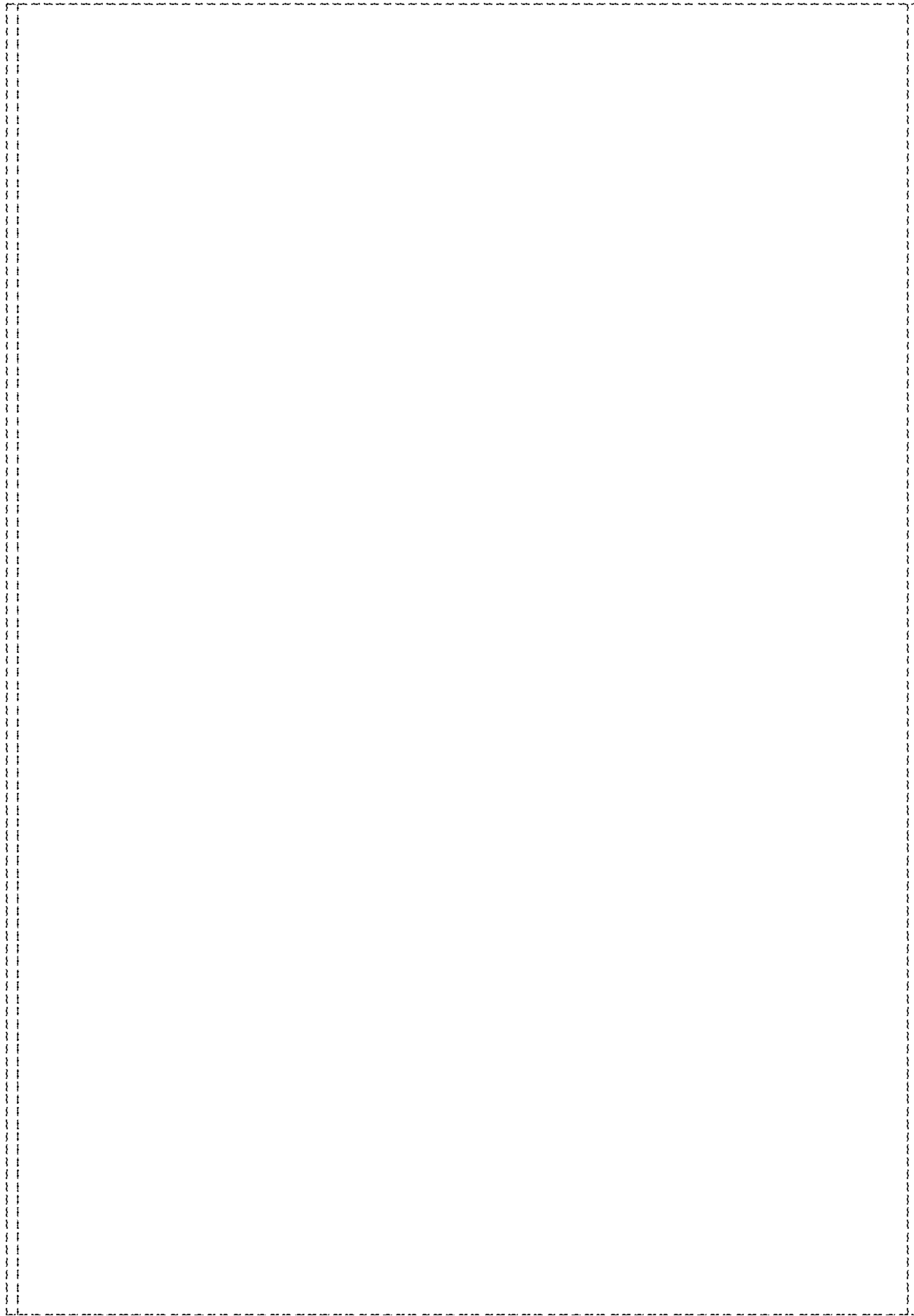


FIG. 4

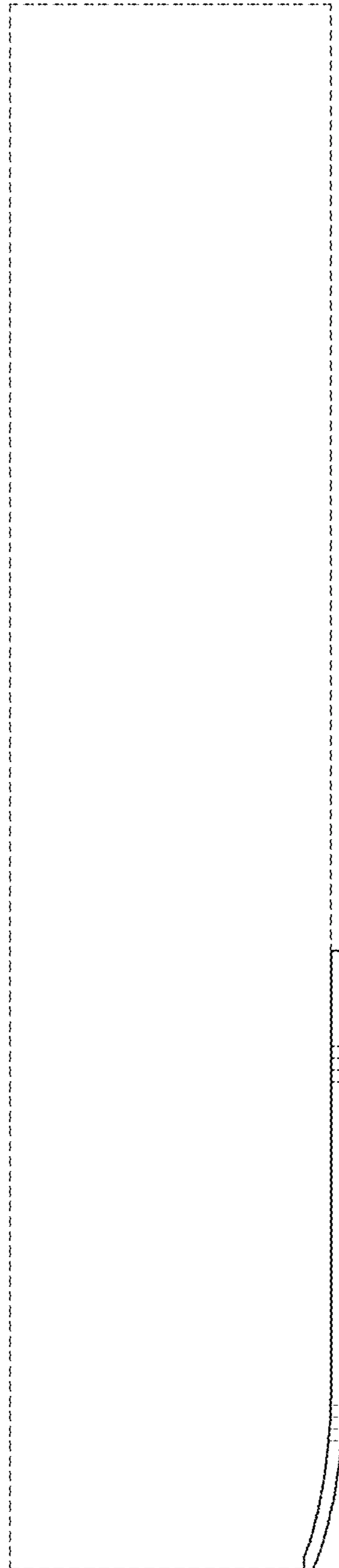


FIG. 5

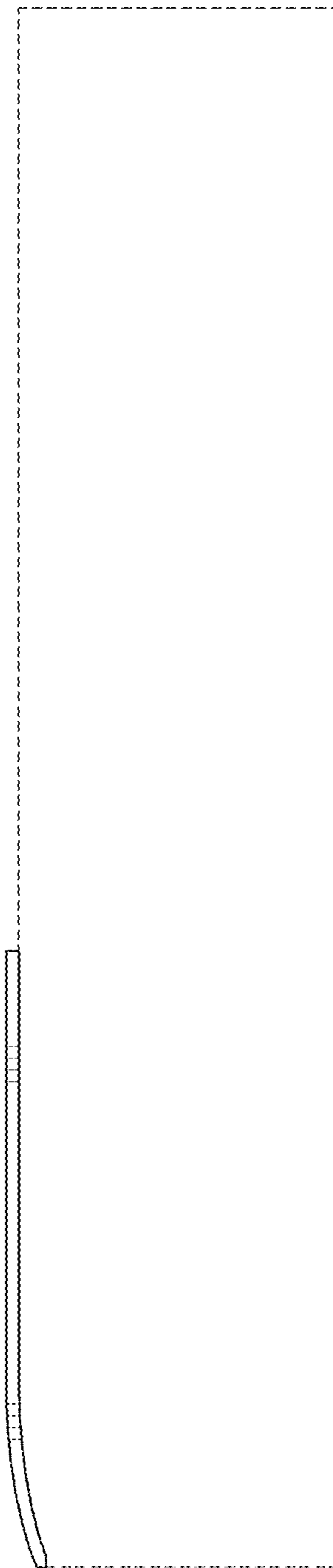


FIG. 6

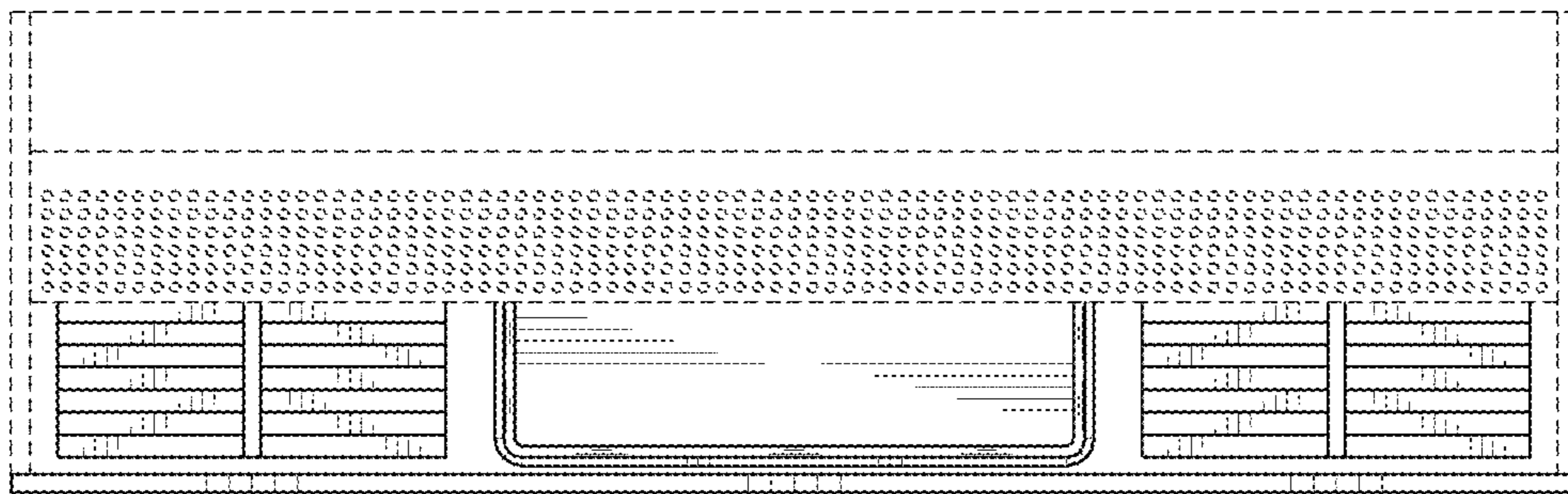


FIG. 7

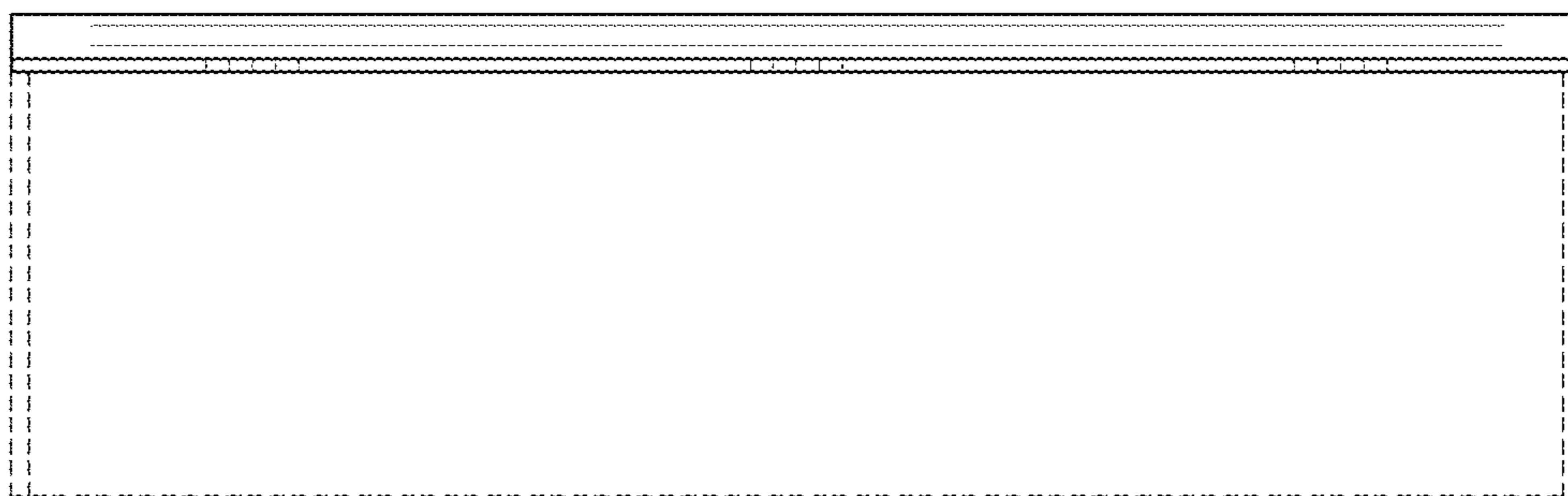


FIG. 8

