



US00D715409S

(12) **United States Design Patent**
Raimondi

(10) **Patent No.:** **US D715,409 S**
(45) **Date of Patent:** **** Oct. 14, 2014**

- (54) **PIPE VENT FITTING**
- (75) Inventor: **Leo Michael Raimondi**, Weymouth, MA (US)
- (73) Assignee: **Leo Michael Raimondi**, Weymouth, MA (US)
- (**) Term: **14 Years**
- (21) Appl. No.: **29/417,612**
- (22) Filed: **Apr. 5, 2012**
- (51) **LOC (10) Cl.** **23-01**
- (52) **U.S. Cl.**
USPC **D23/259**
- (58) **Field of Classification Search**
USPC D23/245, 249, 254, 259-262, 269;
D8/382; D13/155; D24/129;
285/86-93, 179; 439/272, 517, 523,
439/584

D310,556	S	*	9/1990	Russell	D23/265
5,038,816	A		8/1991	Weltsch		
5,452,546	A		9/1995	Goddard		
5,490,922	A		2/1996	Gresa		
D370,723	S	*	6/1996	Nishizawa	D23/387
5,547,422	A		8/1996	Seboldt		
5,581,934	A		12/1996	Arnold, Sr.		
D380,527	S	*	7/1997	Velez	D23/261
D419,860	S	*	2/2000	Persson	D8/382
6,173,455	B1		1/2001	Nordstrom		
6,178,592	B1		1/2001	Whitney		
D437,865	S	*	2/2001	Kladich	D15/140
6,244,006	B1		6/2001	Shue et al.		
D449,873	S	*	10/2001	Bronson	D23/261
6,302,785	B1		10/2001	McKinney et al.		
D450,814	S	*	11/2001	Aldred et al.	D23/259
D453,815	S	*	2/2002	Hoenig	D23/259
6,484,712	B1		11/2002	Lyons et al.		
D486,891	S	*	2/2004	Cronce, Jr.	D23/260
6,735,790	B1		5/2004	Willson et al.		
6,959,457	B2		11/2005	Hernandez		

(Continued)

OTHER PUBLICATIONS

Xenocron, Turbo Mesh Screen, Feb. 5, 2007, honda-tech.com http://honda-tech.com/showthread.php?t=1871424&page=3.*

(Continued)

(56) **References Cited**

U.S. PATENT DOCUMENTS

418,233	A	12/1889	Sallade		
D25,709	S	*	6/1896	Pratt D23/262
D29,797	S	*	12/1898	Pratt D23/262
961,834	A	6/1910	Barlett		
2,224,485	A	12/1940	Pekkala		
2,488,466	A	11/1949	Carver		
2,548,734	A	4/1951	Mathey		
2,825,276	A	*	3/1958	Porter 454/367
3,398,830	A	8/1968	Hornquist		
D227,890	S	*	7/1973	Felix D23/262
4,129,503	A	12/1978	Joseph		
4,184,414	A	1/1980	Jarnot		
4,204,967	A	5/1980	Bannister		
4,206,692	A	6/1980	Johnston		
4,513,797	A	4/1985	Tompkins, Jr.		
4,893,792	A	1/1990	Nemoto et al.		

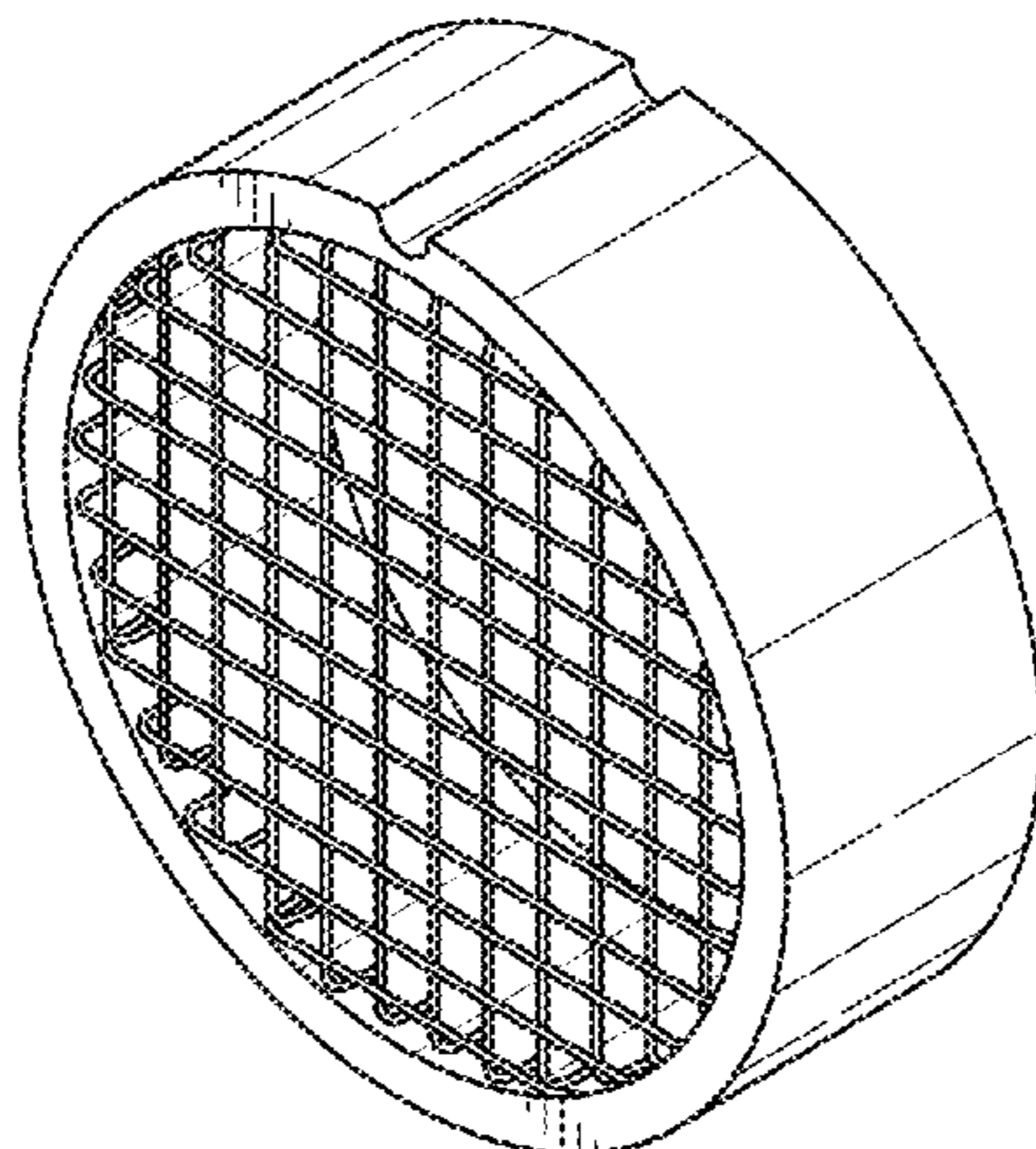
Primary Examiner — Eric Goodman
Assistant Examiner — John Reickel
(74) *Attorney, Agent, or Firm* — Nutter McClennen & Fish LLP; John J. Penny, Jr.; Derek P. Roller

(57) **CLAIM**
The ornamental design for a pipe vent fitting, as shown and described.

DESCRIPTION

The sole FIGURE is a front perspective view of a pipe vent fitting.

1 Claim, 1 Drawing Sheet



(56)

References Cited

U.S. PATENT DOCUMENTS

D571,899 S * 6/2008 Gilligan D23/260
 D583,912 S * 12/2008 Beele D23/260
 D615,164 S * 5/2010 Zeyfang D23/260
 7,707,850 B2 5/2010 Wang et al.
 D617,426 S * 6/2010 Zeyfang D23/260
 8,047,577 B2 * 11/2011 Zeiber 285/242
 8,051,879 B2 * 11/2011 Zeyfang 138/96 T
 D655,792 S * 3/2012 Teixeira D23/260
 D672,438 S * 12/2012 Noel D23/261
 D677,376 S * 3/2013 Wolff D23/393
 D691,246 S * 10/2013 Ward D23/262
 D695,066 S * 12/2013 Nakajima D7/400
 2002/0038707 A1 4/2002 Gillespie et al.
 2002/0092631 A1 7/2002 Cavazos
 2004/0006927 A1 1/2004 Wickett
 2005/0022878 A1 2/2005 Erinakes

2005/0161941 A1 * 7/2005 Poll et al. 285/93
 2006/0157229 A1 7/2006 Hong et al.
 2006/0169439 A1 8/2006 Hong et al.
 2006/0213061 A1 9/2006 Wu et al.
 2007/0010191 A1 1/2007 Vanden Bosch et al.
 2007/0114171 A1 5/2007 Chen et al.
 2007/0161346 A1 7/2007 Landon
 2008/0238087 A1 * 10/2008 Wang et al. 285/39
 2010/0000742 A1 1/2010 Bonner et al.
 2010/0178111 A1 7/2010 Samara
 2010/0186793 A1 7/2010 Adamovich
 2010/0254090 A1 10/2010 Trautman
 2010/0258490 A1 10/2010 Haschke

OTHER PUBLICATIONS

Smart-Goods, Smart Crusher, Feb. 19, 2011, amazon.com <http://amzn.com/B003U5IBIA>.*

* cited by examiner

