



US00D715407S

(12) **United States Design Patent**
Wallace

(10) **Patent No.:** **US D715,407 S**
(45) **Date of Patent:** **** Oct. 14, 2014**

- (54) **SPRINKLER CONTROL ROD COVER**
- (71) Applicant: **Patrick David Wallace**, Sparks, NV
(US)
- (72) Inventor: **Patrick David Wallace**, Sparks, NV
(US)
- (**) Term: **14 Years**
- (21) Appl. No.: **29/469,427**
- (22) Filed: **Oct. 10, 2013**
- (51) **LOC (10) Cl.** **23-01**
- (52) **U.S. Cl.**
USPC **D23/245**
- (58) **Field of Classification Search**
CPC E03C 1/042; E03C 1/021; E03B 9/025;
F16L 5/00
USPC D23/233–237, 244–249; 251/129.04,
251/30.03, 329, 188; 137/382, 556.33
See application file for complete search history.

- D439,314 S * 3/2001 Kitchen et al. D23/249
- D470,921 S * 2/2003 Bush D23/249
- D652,116 S * 1/2012 Fukushima D23/235
- 2011/0303861 A1* 12/2011 Jones 251/129.15
- 2013/0036547 A1* 2/2013 Sansum et al. 4/676
- 2014/0144516 A1* 5/2014 Sigelakis 137/1

* cited by examiner

Primary Examiner — Cynthia Ramirez

(74) *Attorney, Agent, or Firm* — QuickPatents; Kevin Prince

(57) **CLAIM**

I claim the ornamental design for a sprinkler control rod cover, as shown and described.

DESCRIPTION

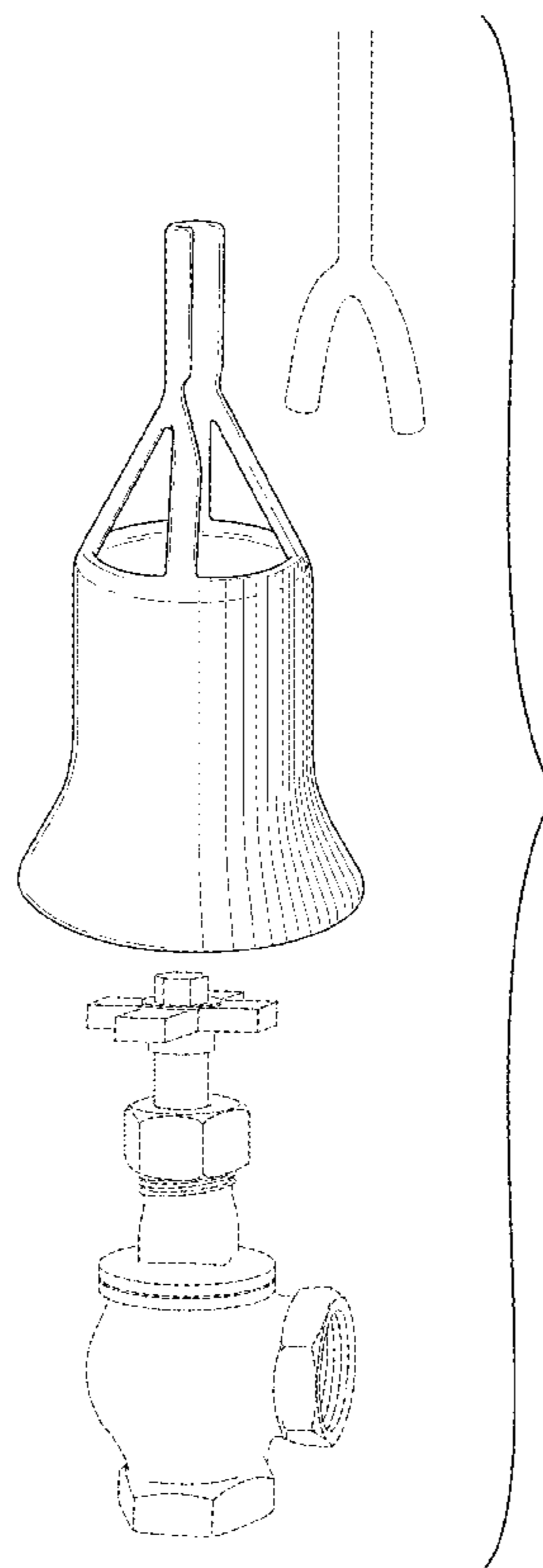
FIG. 1 is an exploded perspective view of a sprinkler control rod cover, showing my new design;
 FIG. 2 is a perspective view thereof;
 FIG. 3 is a front elevational view thereof, the rear elevational view being a mirror image thereof;
 FIG. 4 is a left-side elevational view thereof;
 FIG. 5 is a right-side elevational view thereof;
 FIG. 6 is a top plan view thereof; and,
 FIG. 7 is a bottom plan view thereof.
 The broken lines showing a sprinkler valve and control rod in FIG. 1 depict environmental matter and form no part of the claimed design.

(56) **References Cited**

U.S. PATENT DOCUMENTS

- D244,605 S * 6/1977 Ratnik D23/234
- D348,306 S * 6/1994 Parker D23/249
- D396,090 S * 7/1998 Marcichow et al. D23/233
- D403,052 S * 12/1998 Ohtani et al. D23/249
- D428,117 S * 7/2000 Minnick D23/249

1 Claim, 3 Drawing Sheets



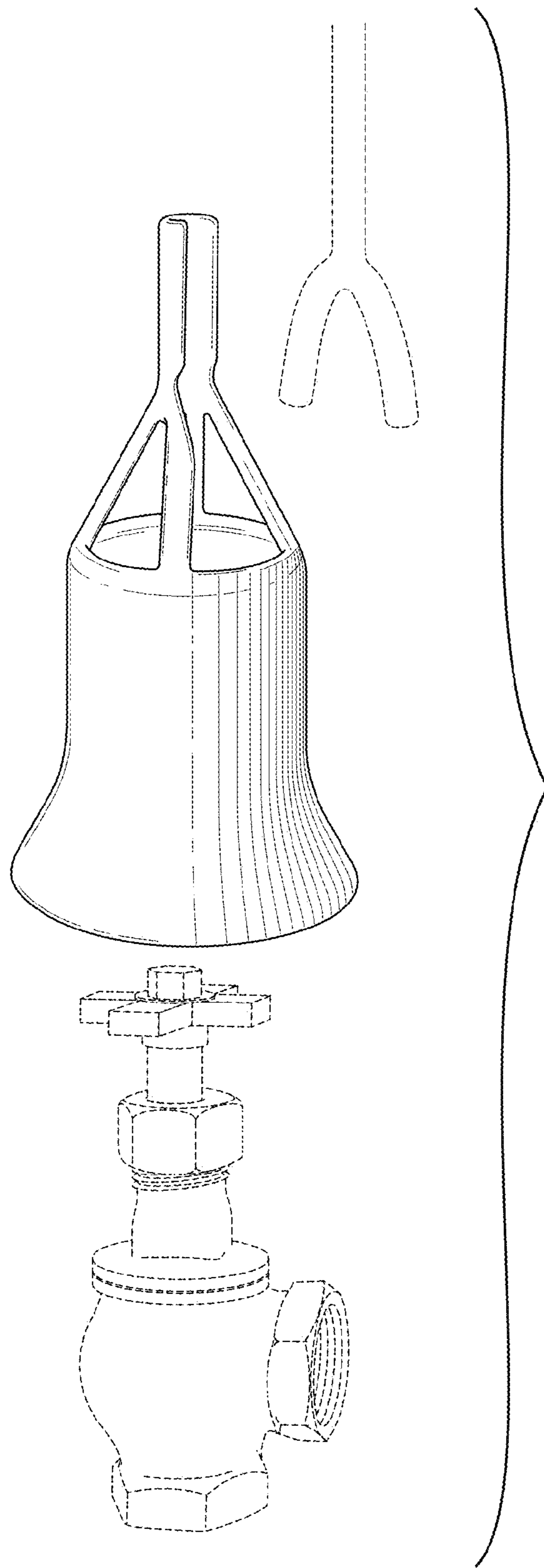


FIG. 1

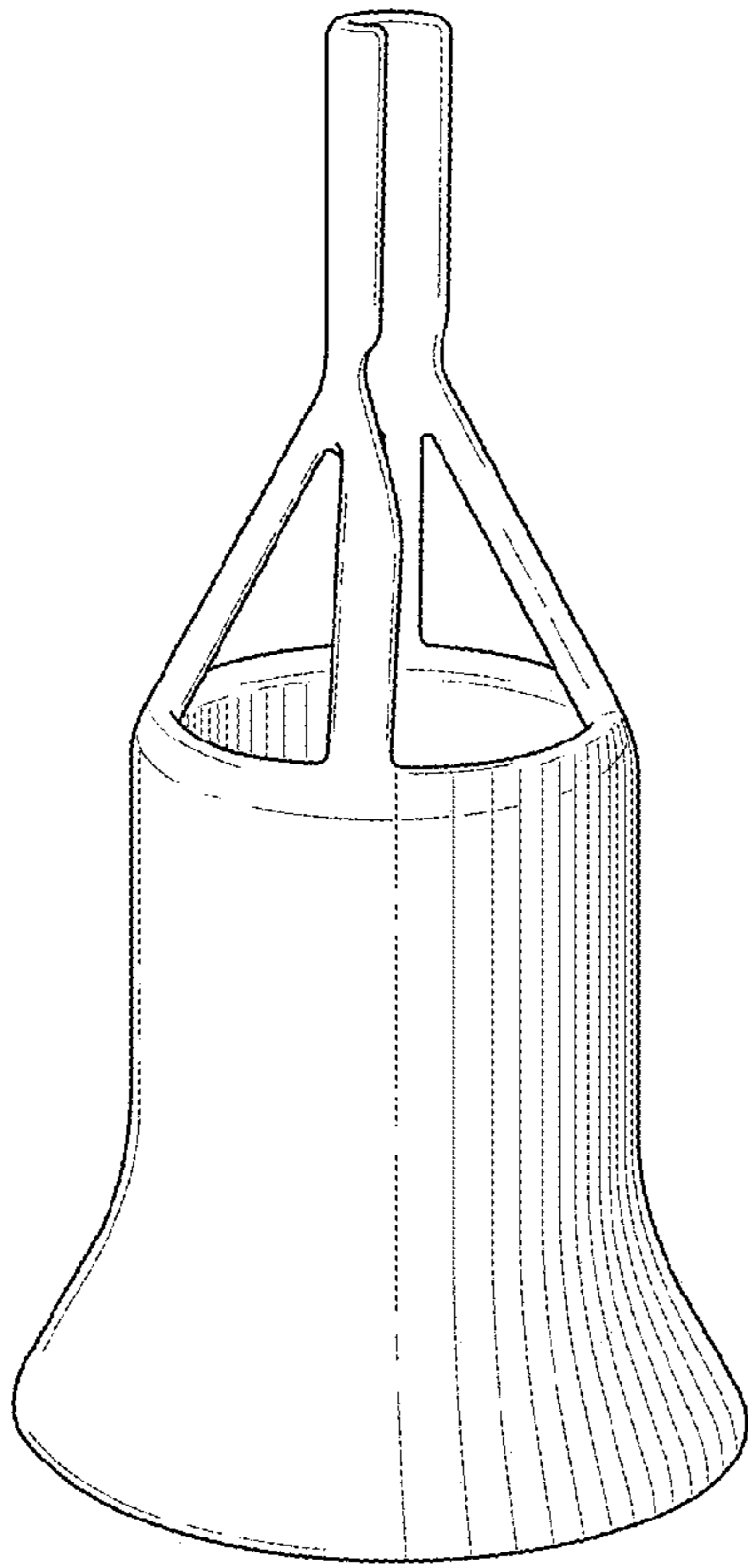


FIG. 2

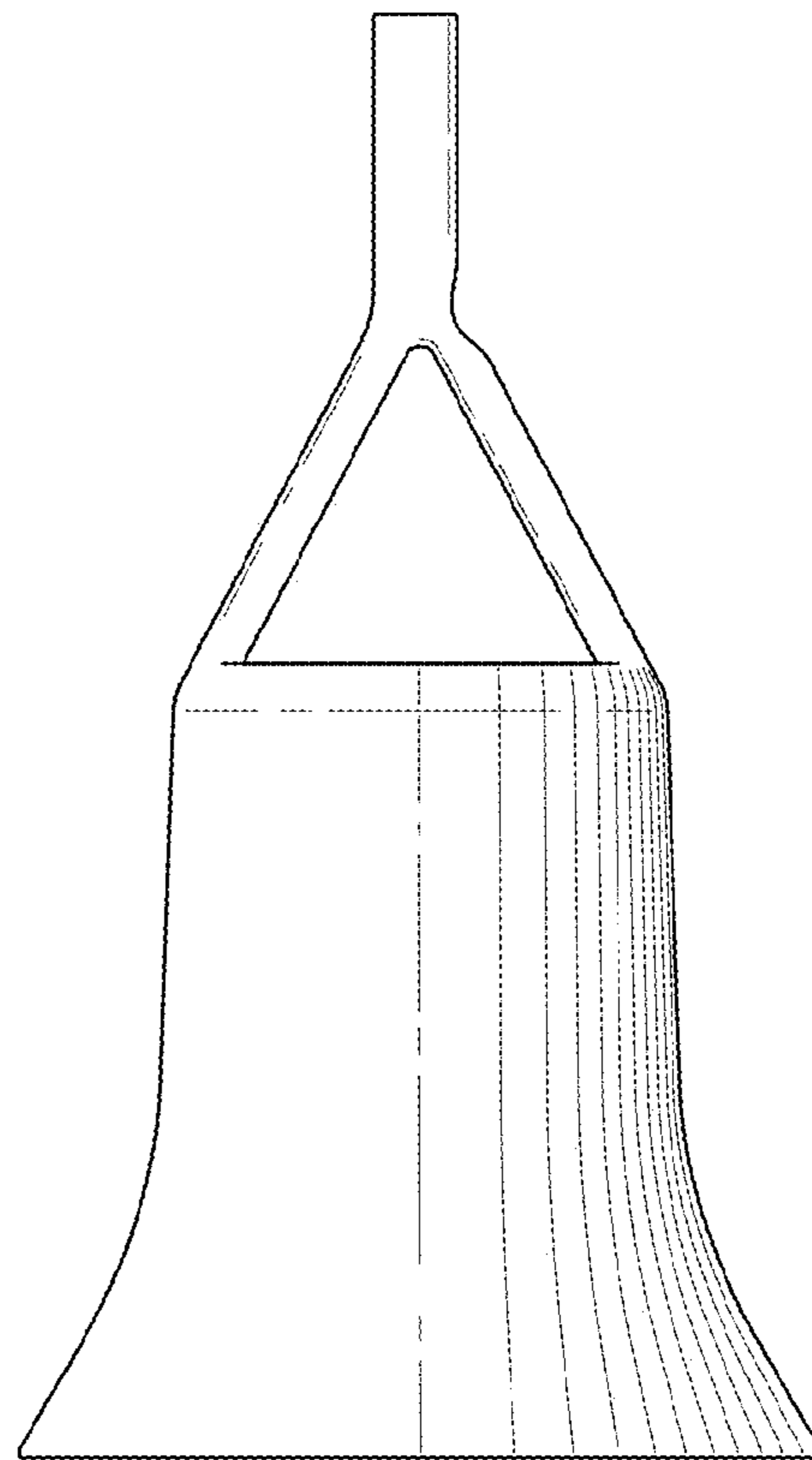


FIG. 3

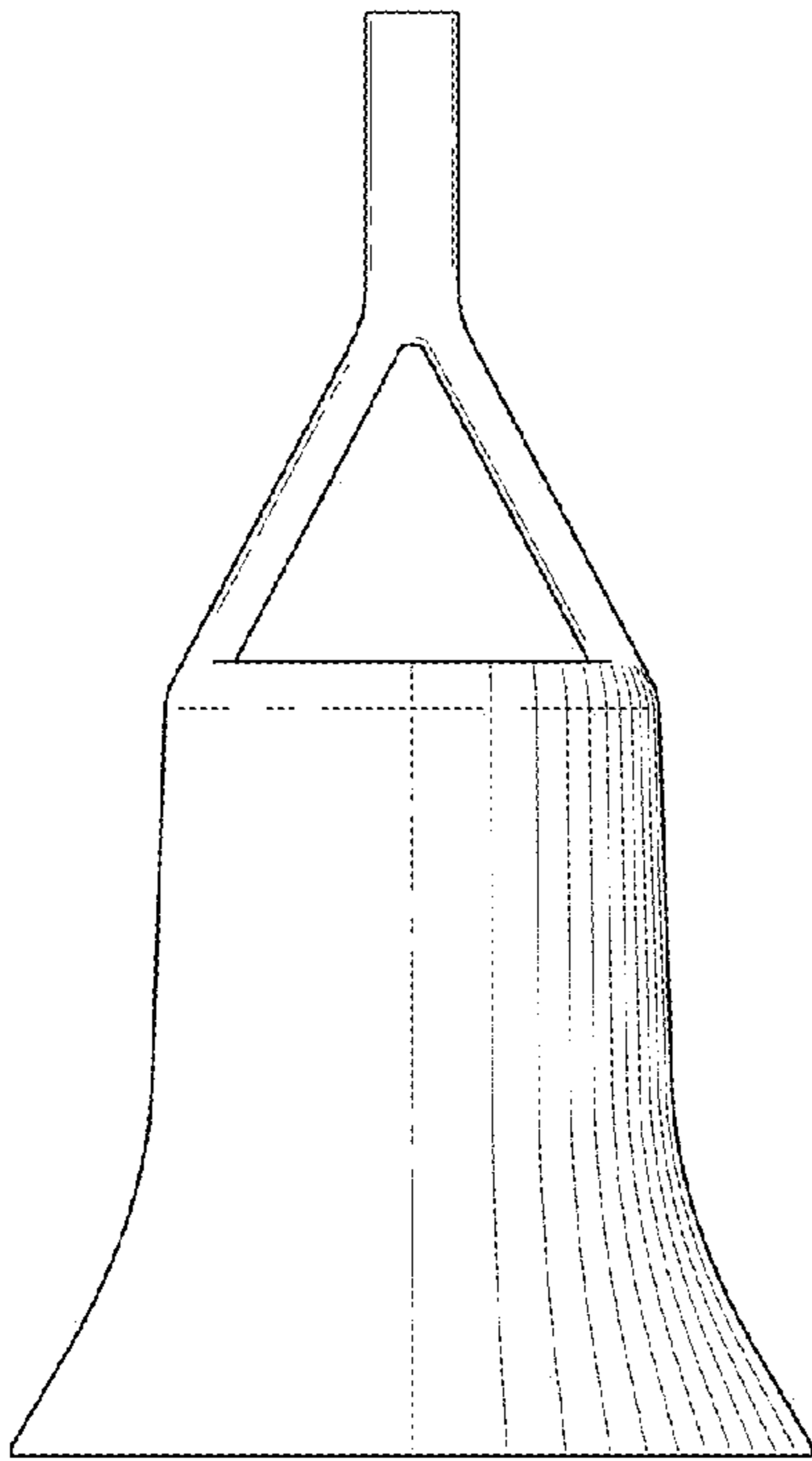


FIG. 4

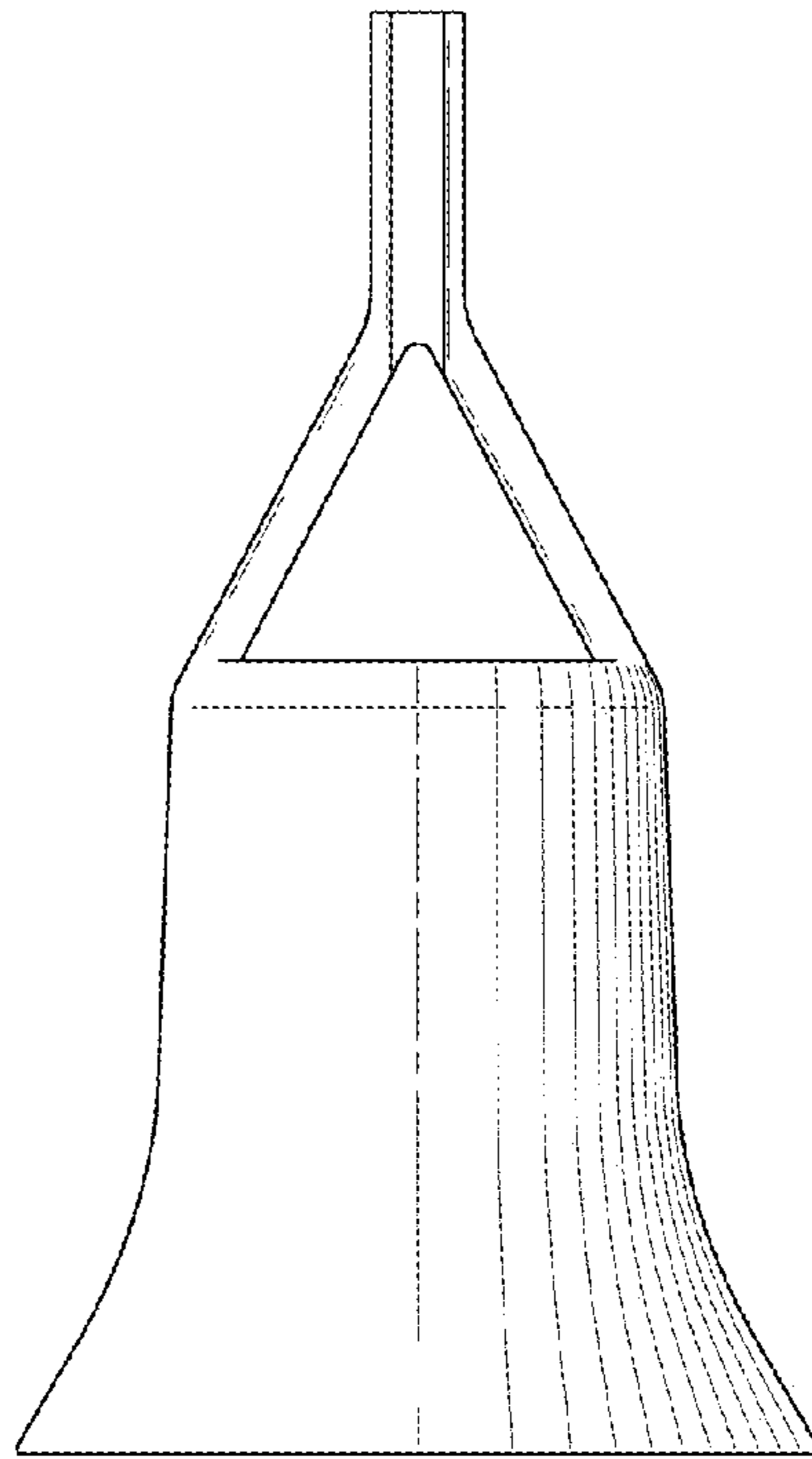


FIG. 5

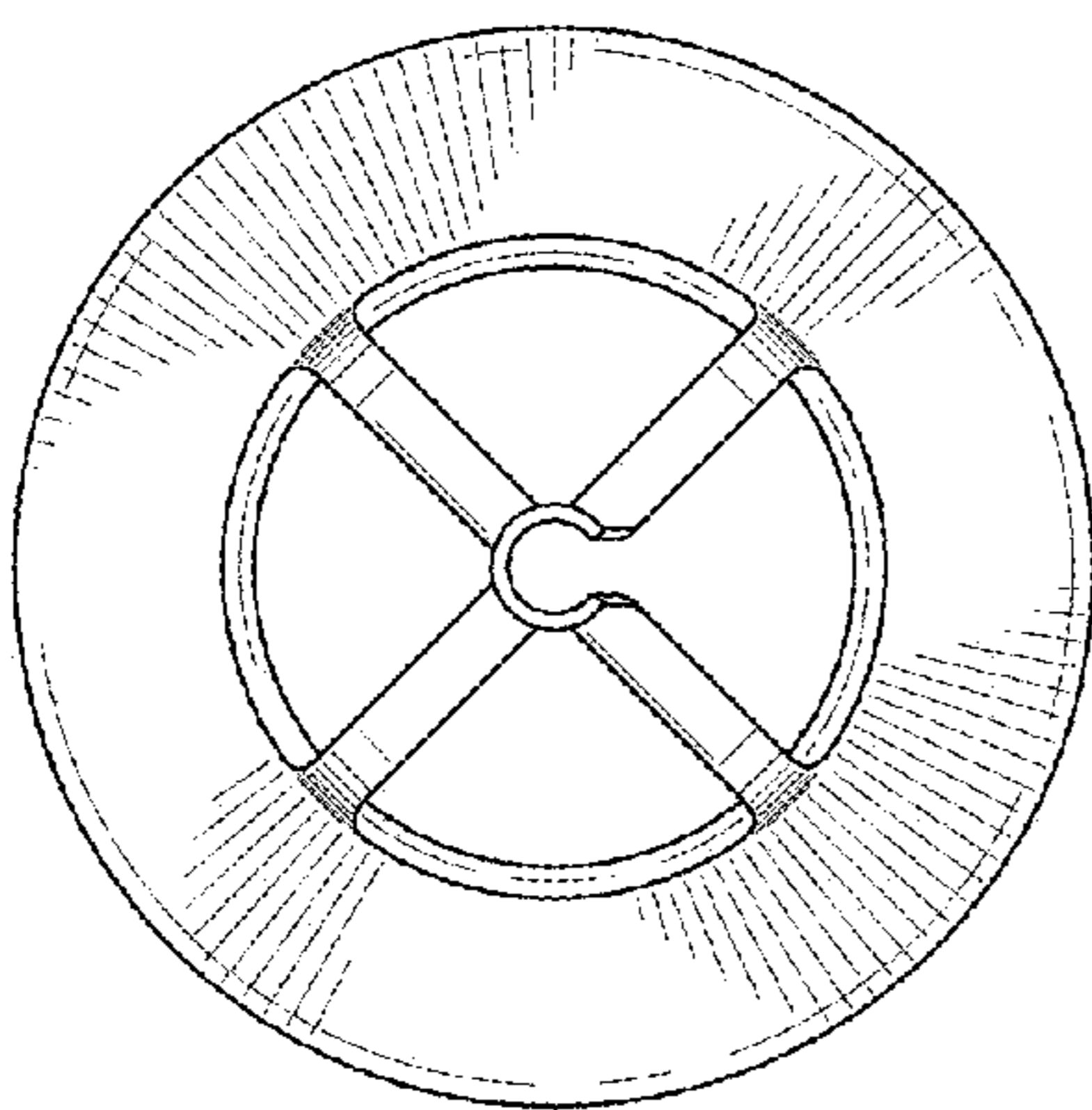


FIG. 6

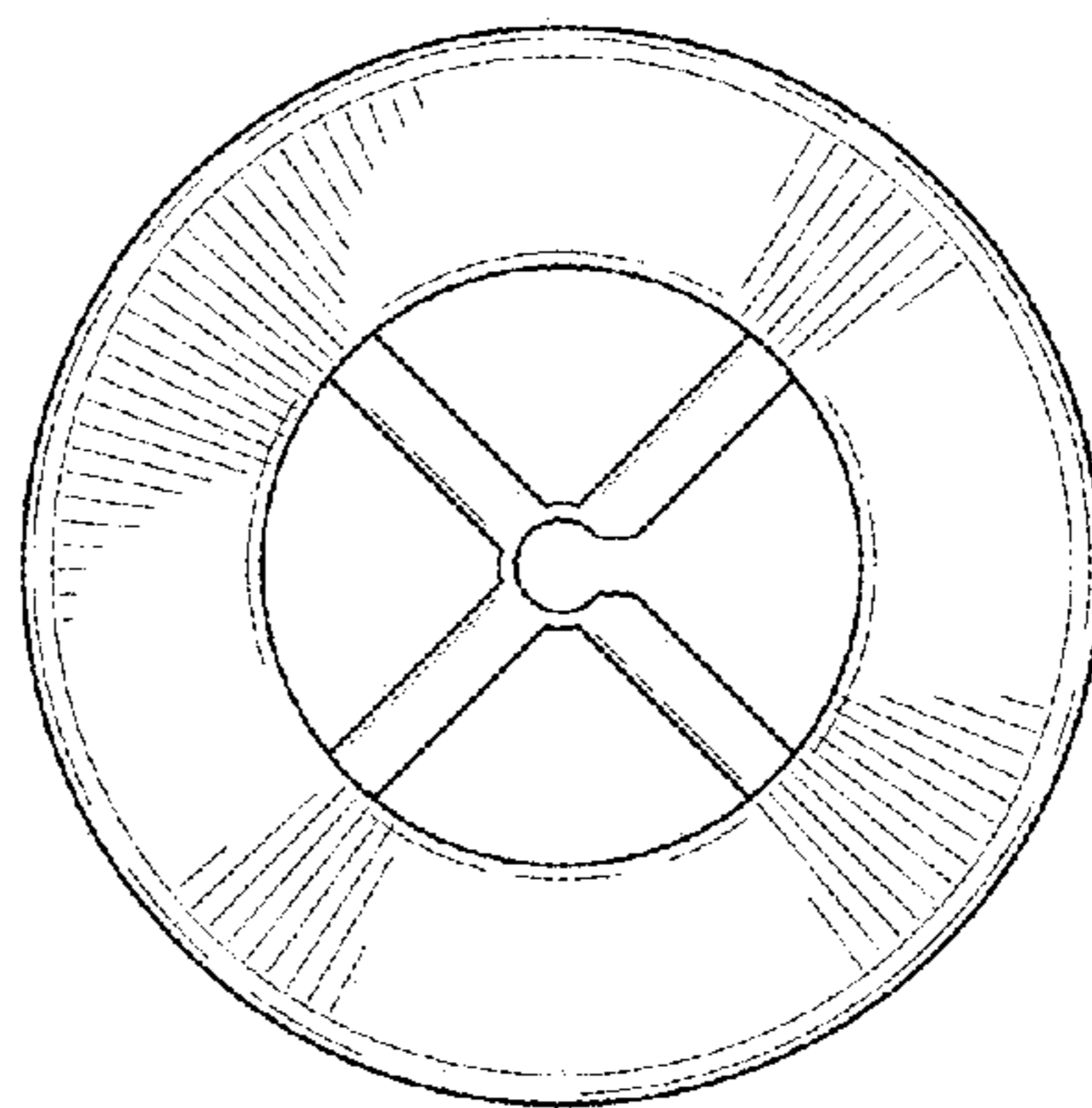


FIG. 7