



US00D715405S

(12) **United States Design Patent**
McAlpine

(10) **Patent No.:** **US D715,405 S**

(45) **Date of Patent:** **** Oct. 14, 2014**

(54) **OVERFLOW**

(71) Applicant: **McAlpine & Co Limited**, Glasgow
(GB)

(72) Inventor: **James Edward McAlpine**, Glasgow
(GB)

(73) Assignee: **McAlpine & Co. Ltd** (GB)

(**) Term: **14 Years**

(21) Appl. No.: **29/466,909**

(22) Filed: **Sep. 12, 2013**

(30) **Foreign Application Priority Data**

Mar. 12, 2013 (GB) 4029035

(51) **LOC (10) Cl.** **23-01**

(52) **U.S. Cl.**
USPC **D23/233**

(58) **Field of Classification Search**

CPC F16K 1/52; F16K 1/38; F16K 3/26;
F16K 3/32; F16K 3/34; F16K 31/22; F16K
31/28; F16K 47/08; B60K 15/06; F02M 37/22
USPC D23/233-237, 244-249; 137/398, 545,
137/549; 251/62, 63.5, 129.01, 129.1,
251/129.16-129.18, 205, 208, 215,
251/309-312, 904

See application file for complete search history.

(56) **References Cited**

U.S. PATENT DOCUMENTS

D369,650 S * 5/1996 Lebkuchner D23/235
D599,438 S * 9/2009 Okutsu et al. D23/233
D700,285 S * 2/2014 Yang D23/233
D705,901 S * 5/2014 Johnson D23/233
2011/0062358 A1* 3/2011 Kawamura et al. 251/129.01

* cited by examiner

Primary Examiner — Cynthia Ramirez

(74) *Attorney, Agent, or Firm* — Buchanan Nipper

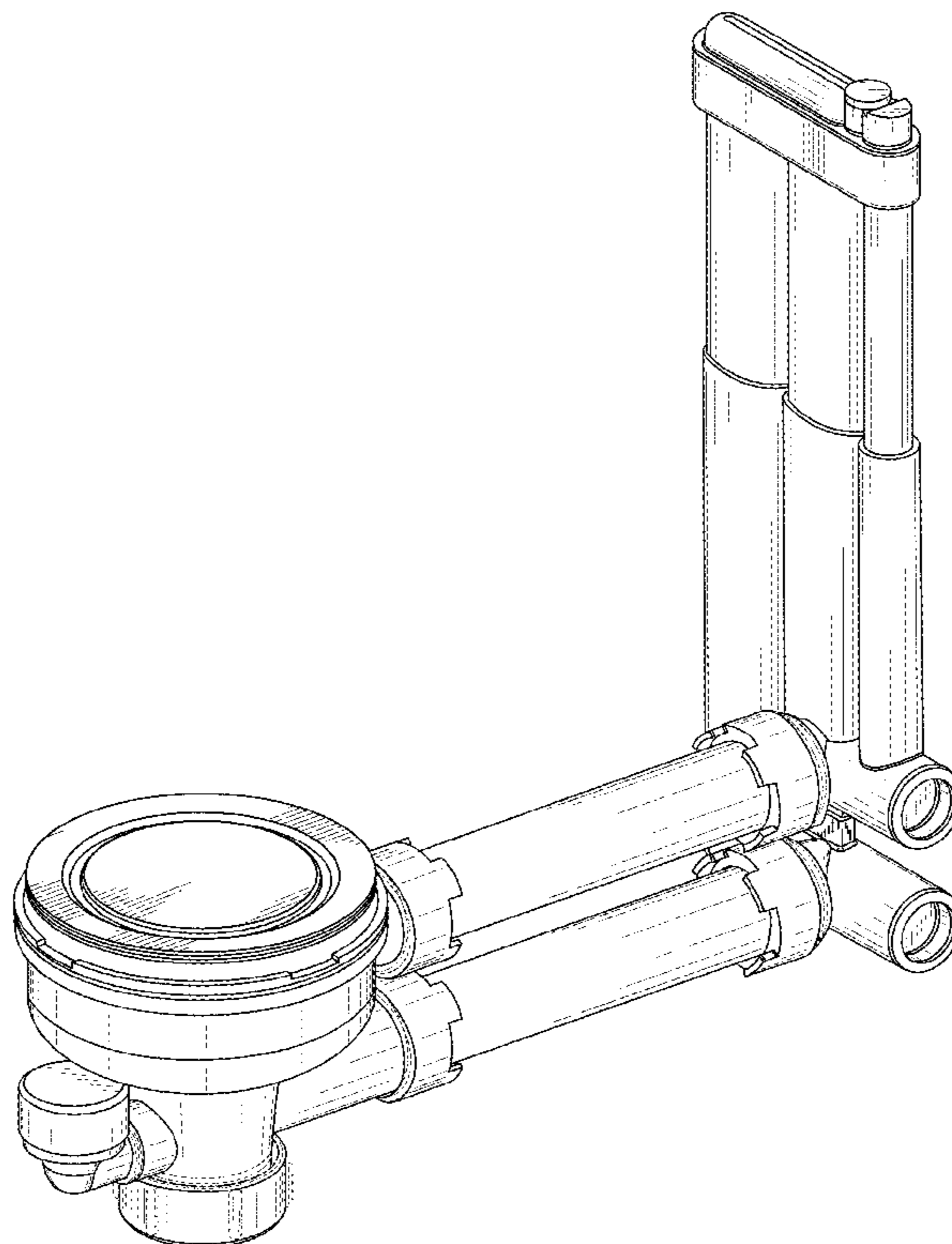
(57) **CLAIM**

I claim the ornamental design for an overflow, as shown and described.

DESCRIPTION

FIG. 1 is a right side perspective view of an overflow showing my design;
FIG. 2 is a front elevation view thereof;
FIG. 3 is a rear elevation view thereof;
FIG. 4 is a bottom plan view thereof;
FIG. 5 is a top plan view thereof;
FIG. 6 is a right side elevation view thereof; and,
FIG. 7 is a left side elevation view thereof.
The broken lines shown in the drawings illustrate portions of the overflow that form no part of the claimed design.

1 Claim, 7 Drawing Sheets



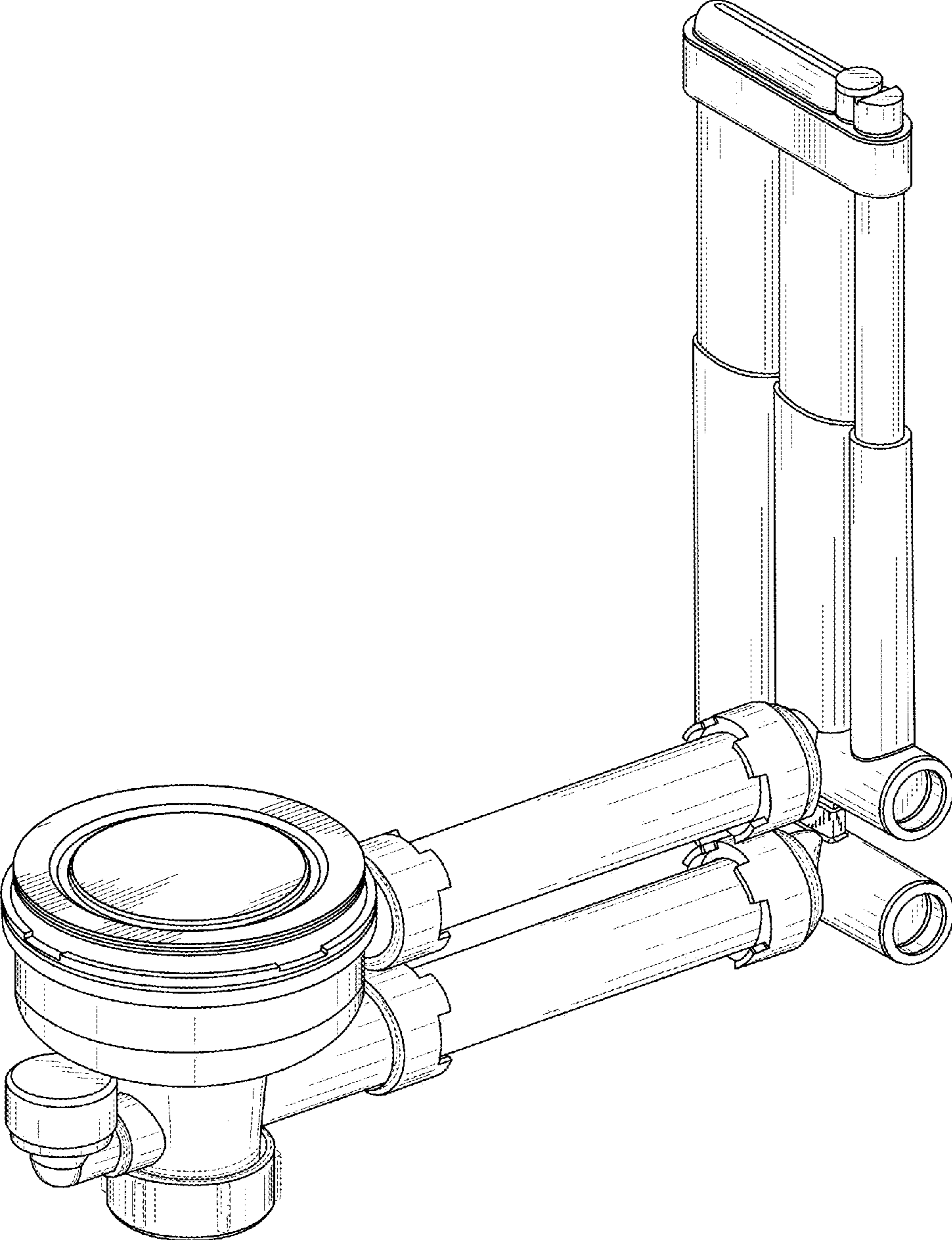


FIG. 1

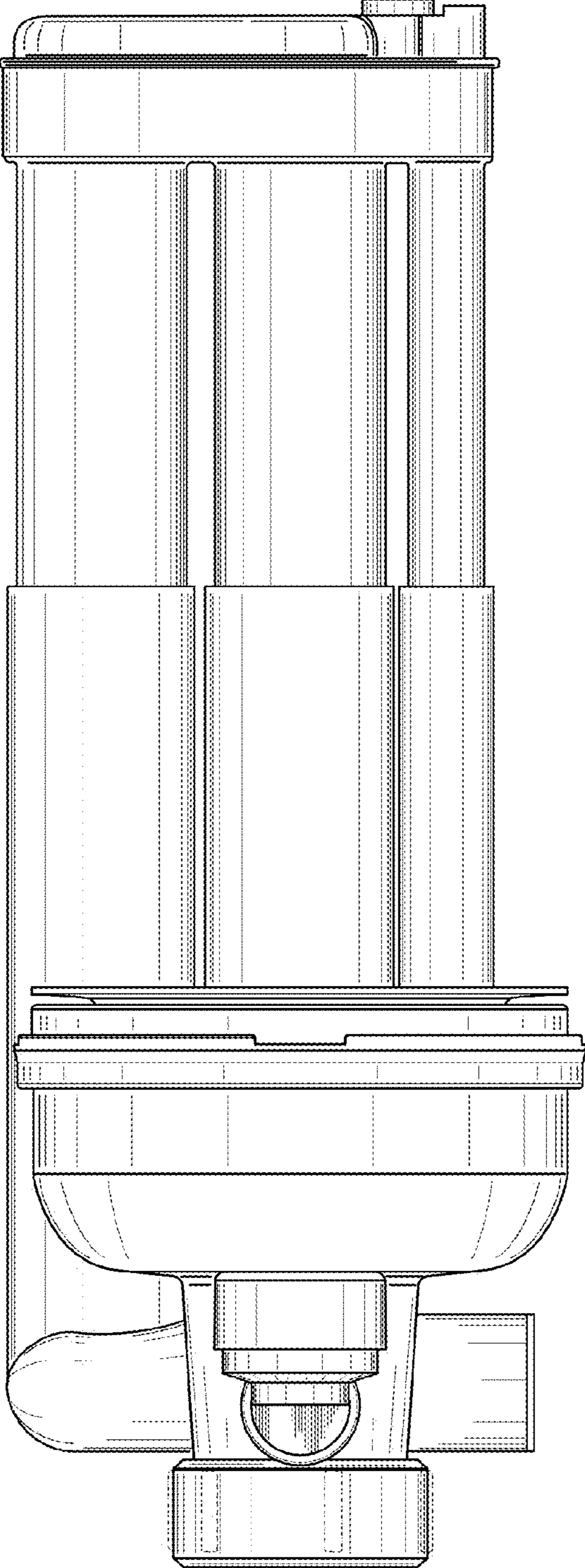


FIG. 2

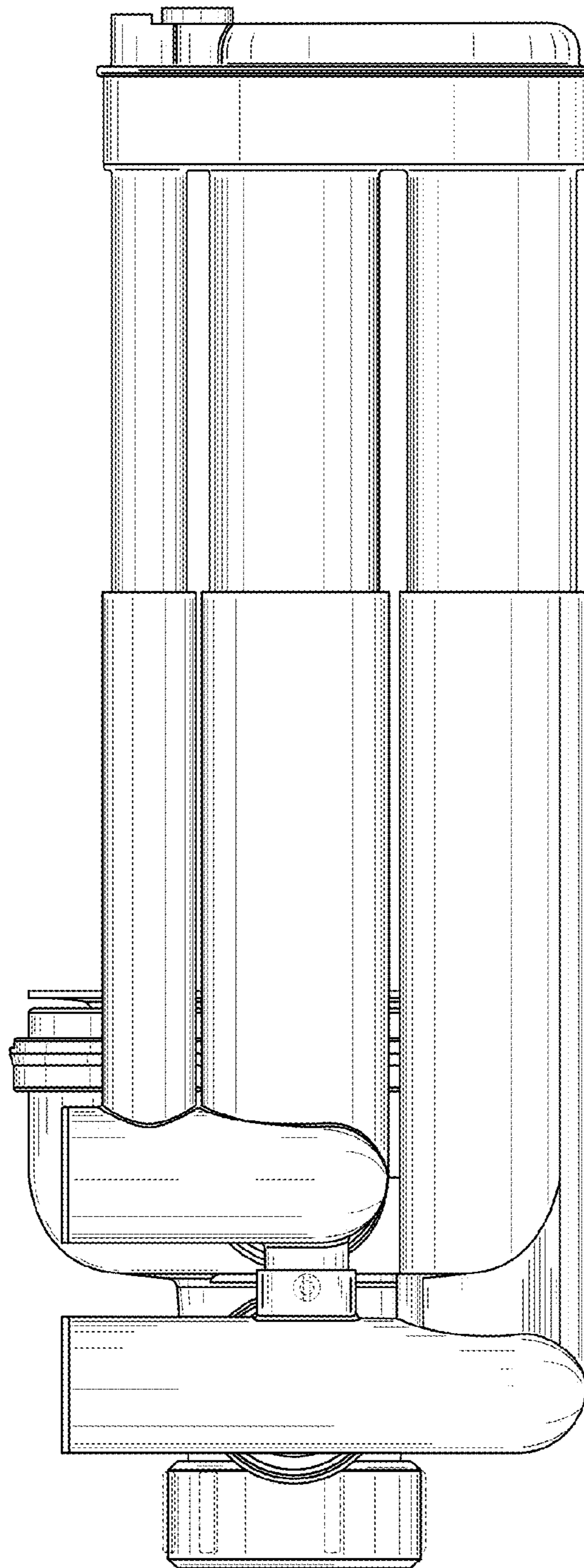


FIG. 3

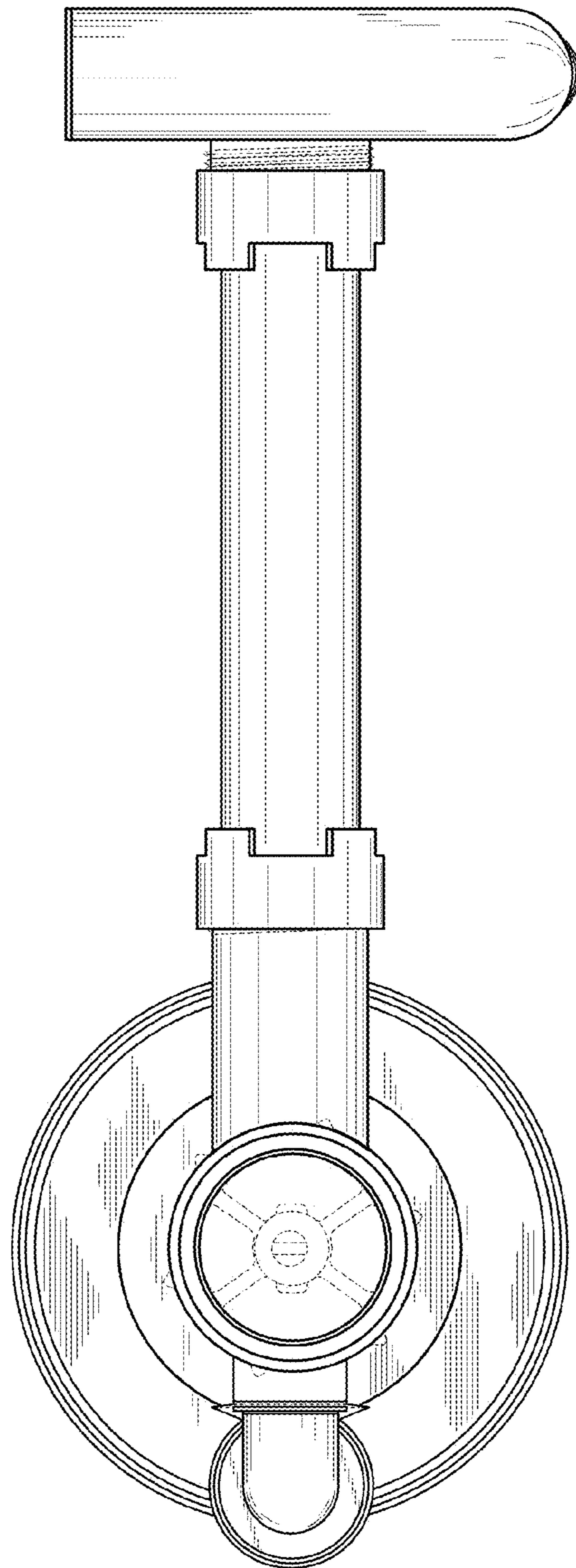


FIG. 4

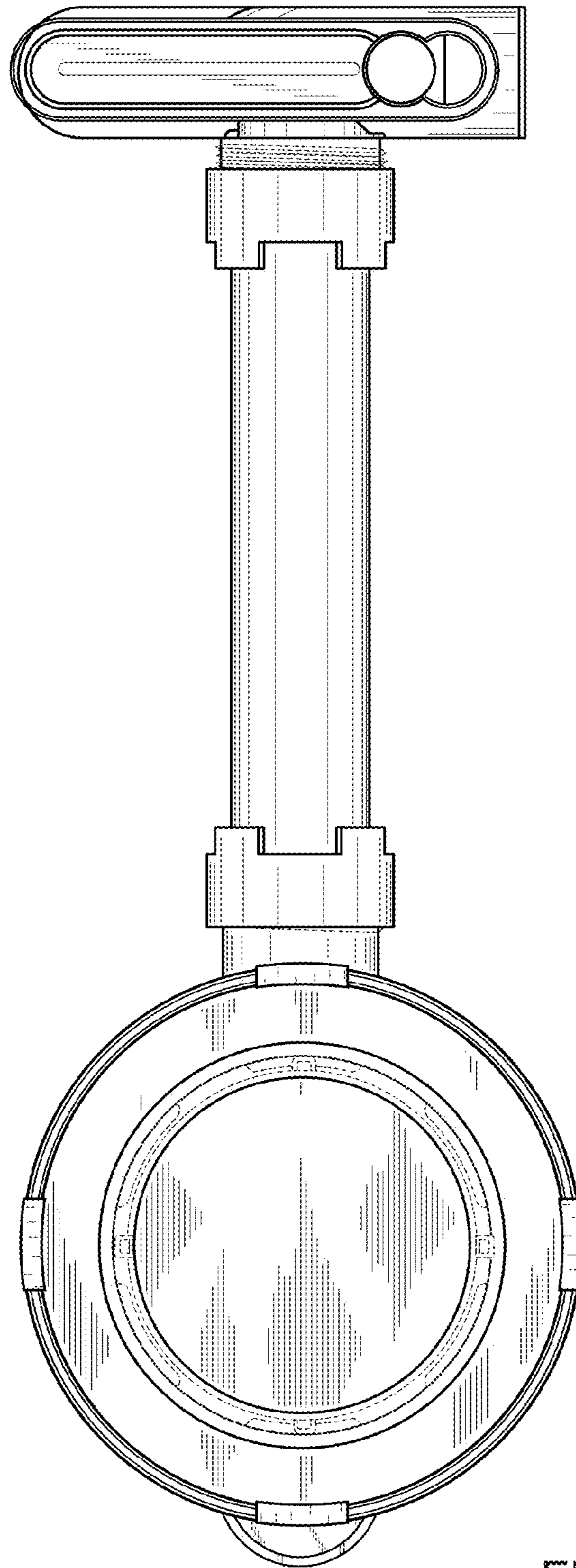


FIG. 5

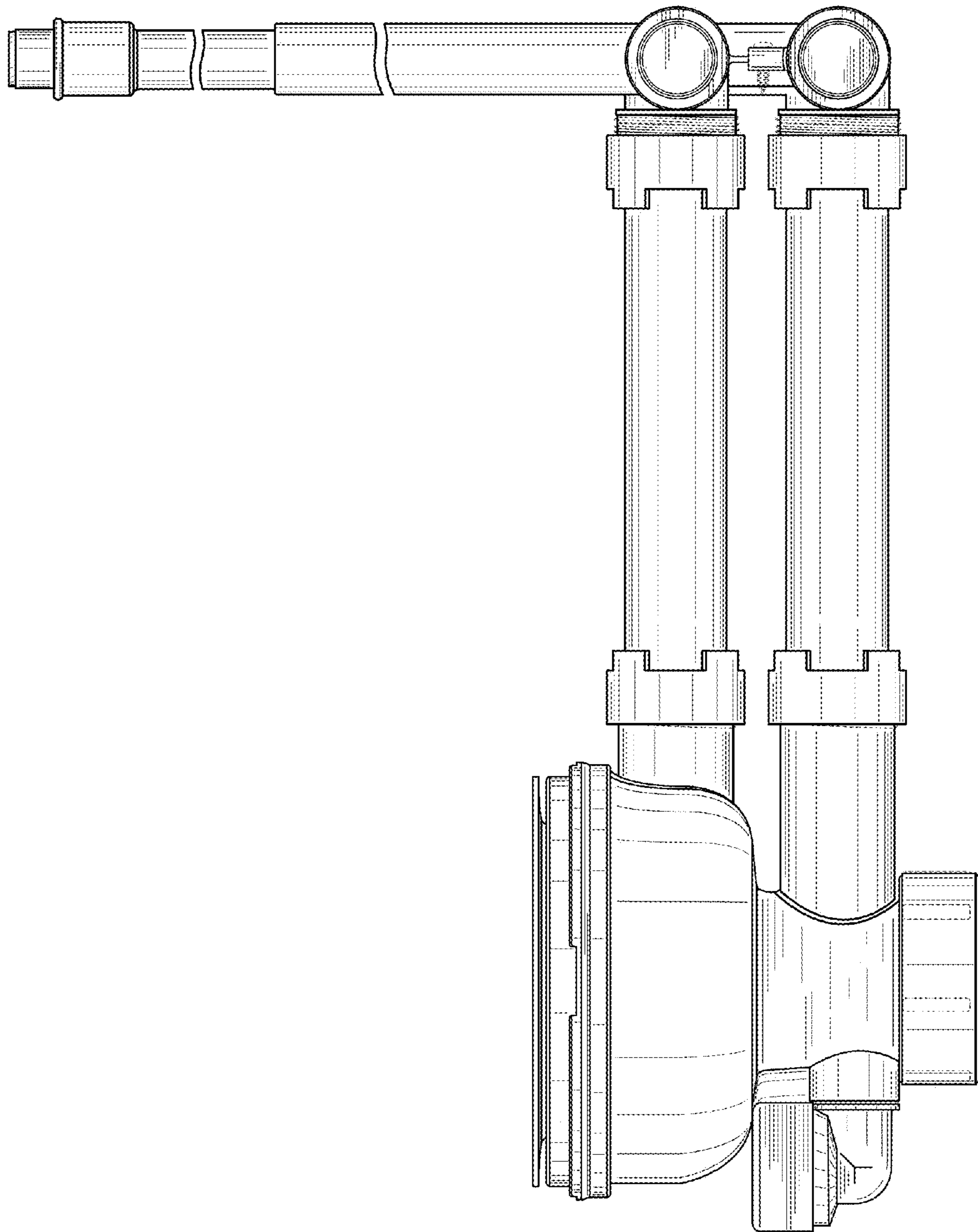


FIG. 6

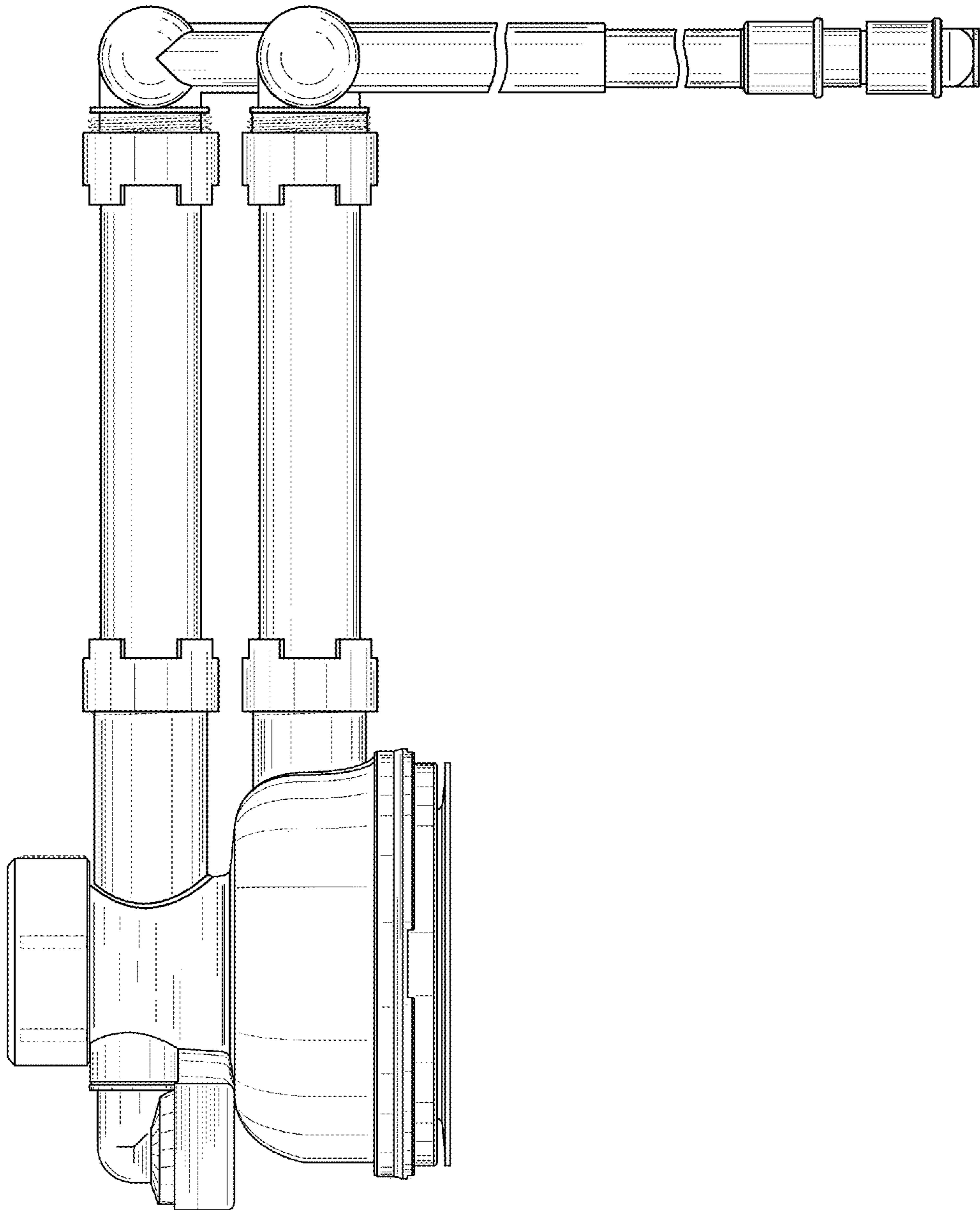


FIG. 7