



US00D715404S

(12) **United States Design Patent**  
**Clarke**

(10) **Patent No.:** **US D715,404 S**  
(45) **Date of Patent:** **\*\* Oct. 14, 2014**

(54) **NON-RETURN VALVE**

(71) Applicants: **Peter Clarke**, Nottingham (GB); **Edit Clarke**, Nottingham (GB); **Andrea Clarke**, Nottingham (GB)

(72) Inventor: **Peter Clarke**, Nottingham (GB)

(\*\*) Term: **14 Years**

(21) Appl. No.: **29/458,349**

(22) Filed: **Jun. 18, 2013**

(30) **Foreign Application Priority Data**

Dec. 18, 2012 (EM) ..... 001355630-0001

(51) **LOC (10) Cl.** ..... **23-01**

(52) **U.S. Cl.**  
USPC ..... **D23/233**

(58) **Field of Classification Search**  
USPC ..... D23/233–237, 244–249; 137/625.33,  
137/625.37; 251/30.01, 43, 120, 126,  
251/129.07, 282, 324, 325; D24/129, 108,  
D24/138, 146

See application file for complete search history.

(56) **References Cited**

**U.S. PATENT DOCUMENTS**

D200,031 S \* 1/1965 Parfony ..... D23/249  
D362,295 S \* 9/1995 Scheurer ..... D23/233  
7,509,948 B1 \* 3/2009 DePayva et al. .... 123/506

D599,434 S \* 9/2009 Stenberg ..... D23/233  
D631,945 S \* 2/2011 Shorey et al. .... D23/233  
D636,059 S \* 4/2011 Shorey et al. .... D23/233  
D639,938 S \* 6/2011 Blanco ..... D24/129  
D682,989 S \* 5/2013 Eagle ..... D23/233

\* cited by examiner

*Primary Examiner* — Cynthia Ramirez

(74) *Attorney, Agent, or Firm* — Wolf, Greenfield & Sacks, P.C.

(57) **CLAIM**

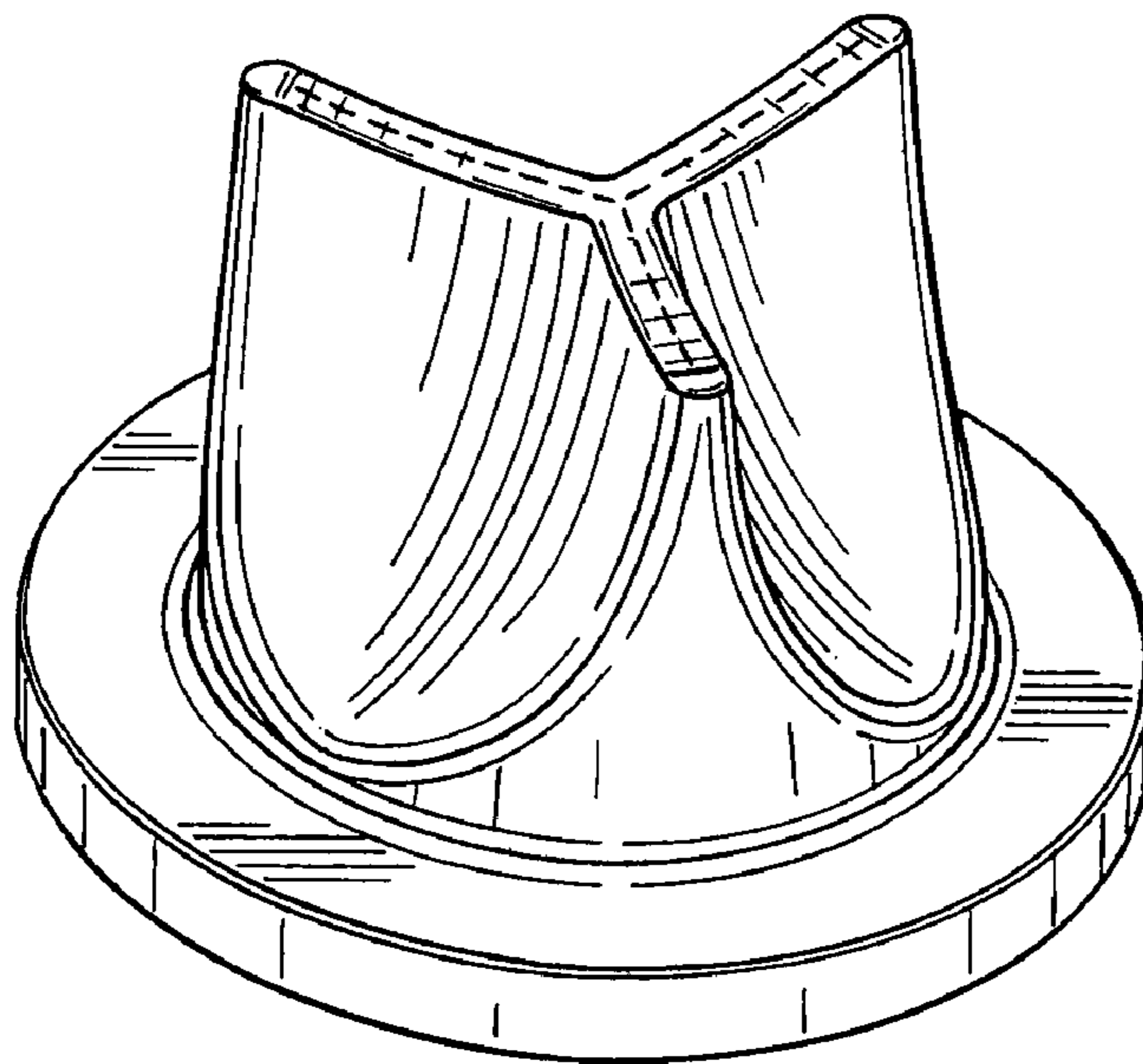
The ornamental design for a non-return valve, as shown and described.

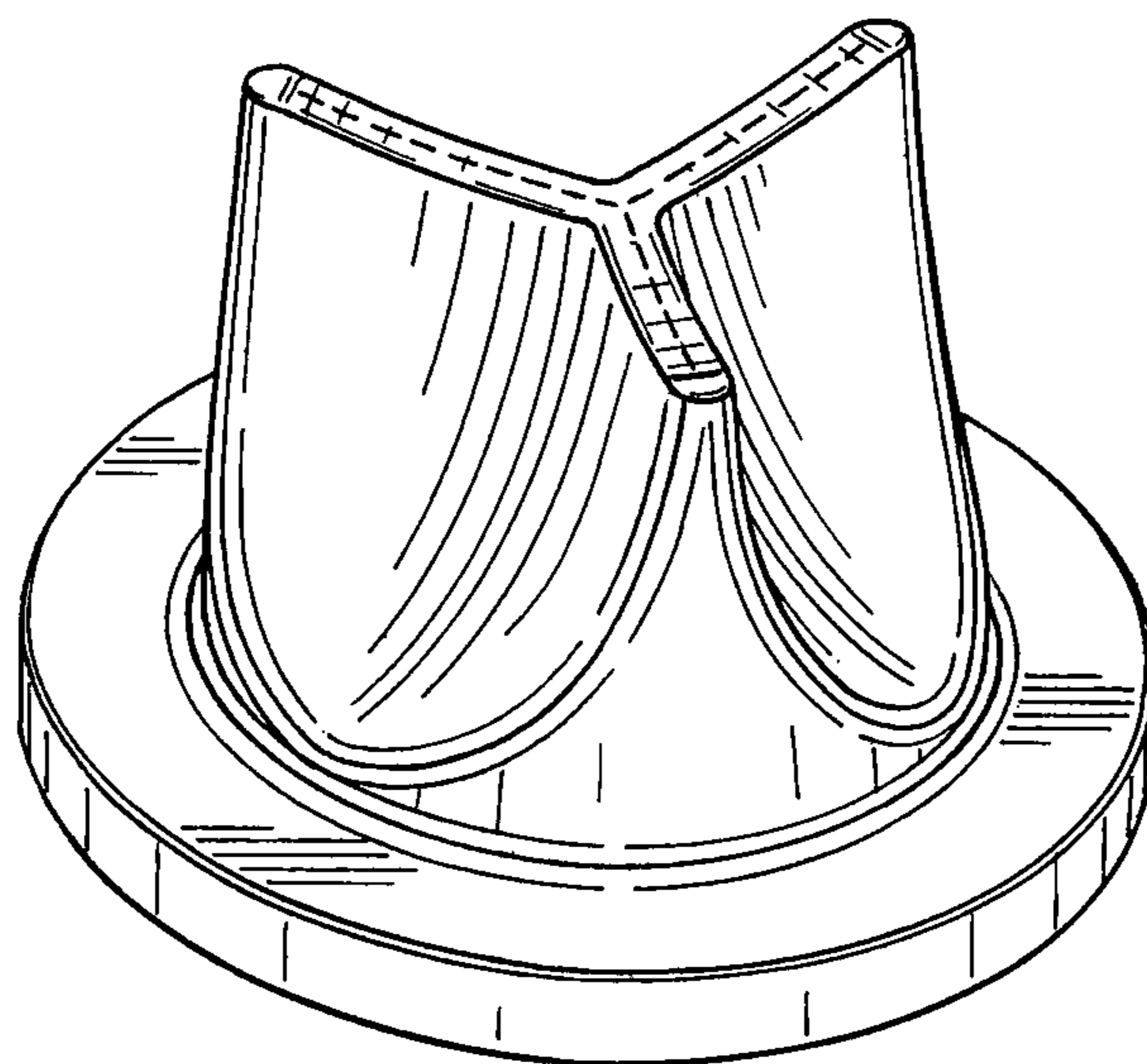
**DESCRIPTION**

FIG. 1 is a top, perspective view of the non-return valve;  
FIG. 2 is a side elevational view of the non-return valve shown in FIG. 1;  
FIG. 3 is a top plan view of the non-return valve shown in FIG. 1;  
FIG. 4 is a side elevational view of the non-return valve shown in FIG. 1;  
FIG. 5 is a cross-sectional view of the non-return valve shown in FIG. 1; and,  
FIG. 6 is a bottom plan view of the non-return valve shown in FIG. 1.

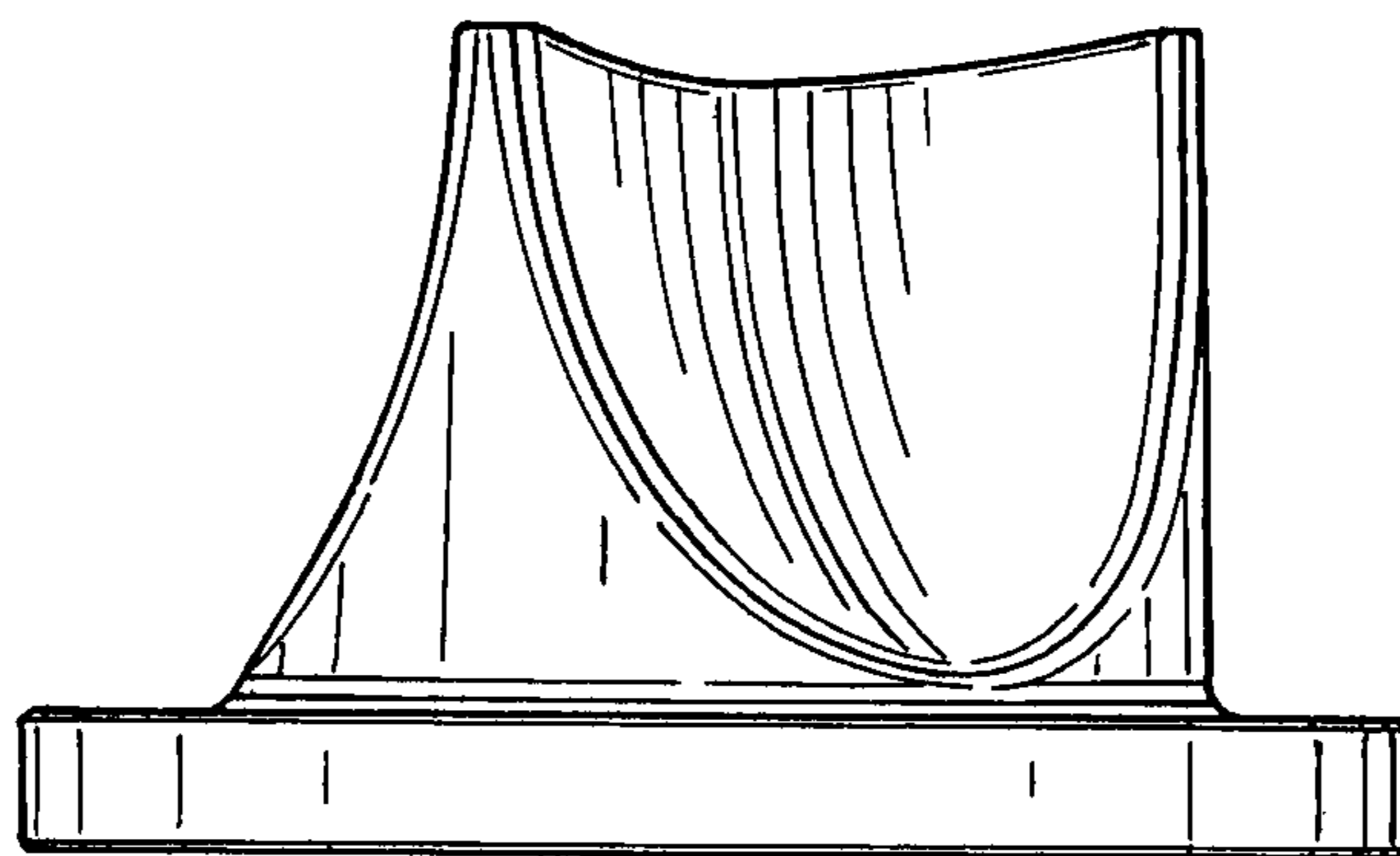
Any portions shown in dashed or broken lines are included for illustrative purposes only and form no part of the claimed design.

**1 Claim, 3 Drawing Sheets**

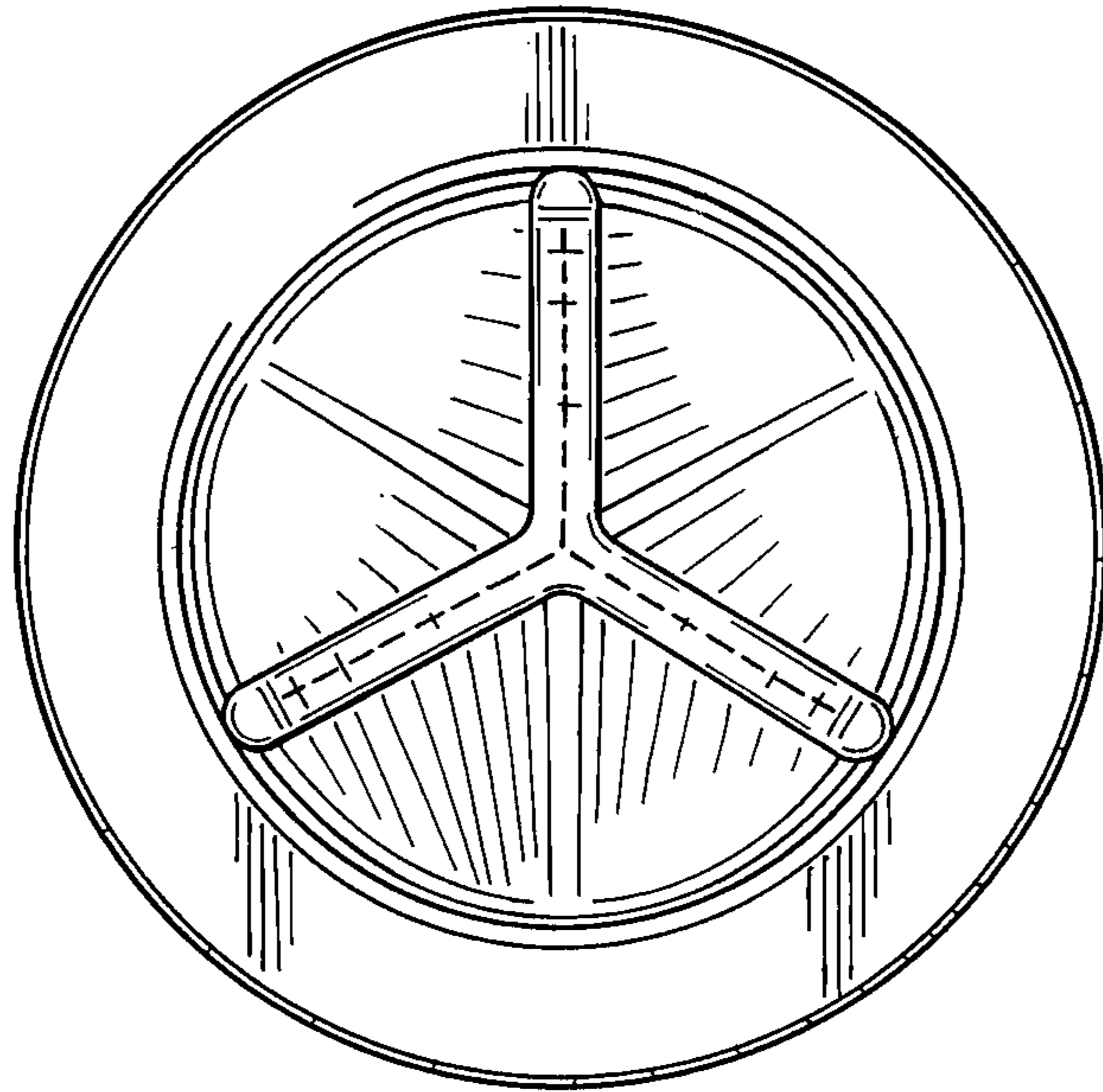




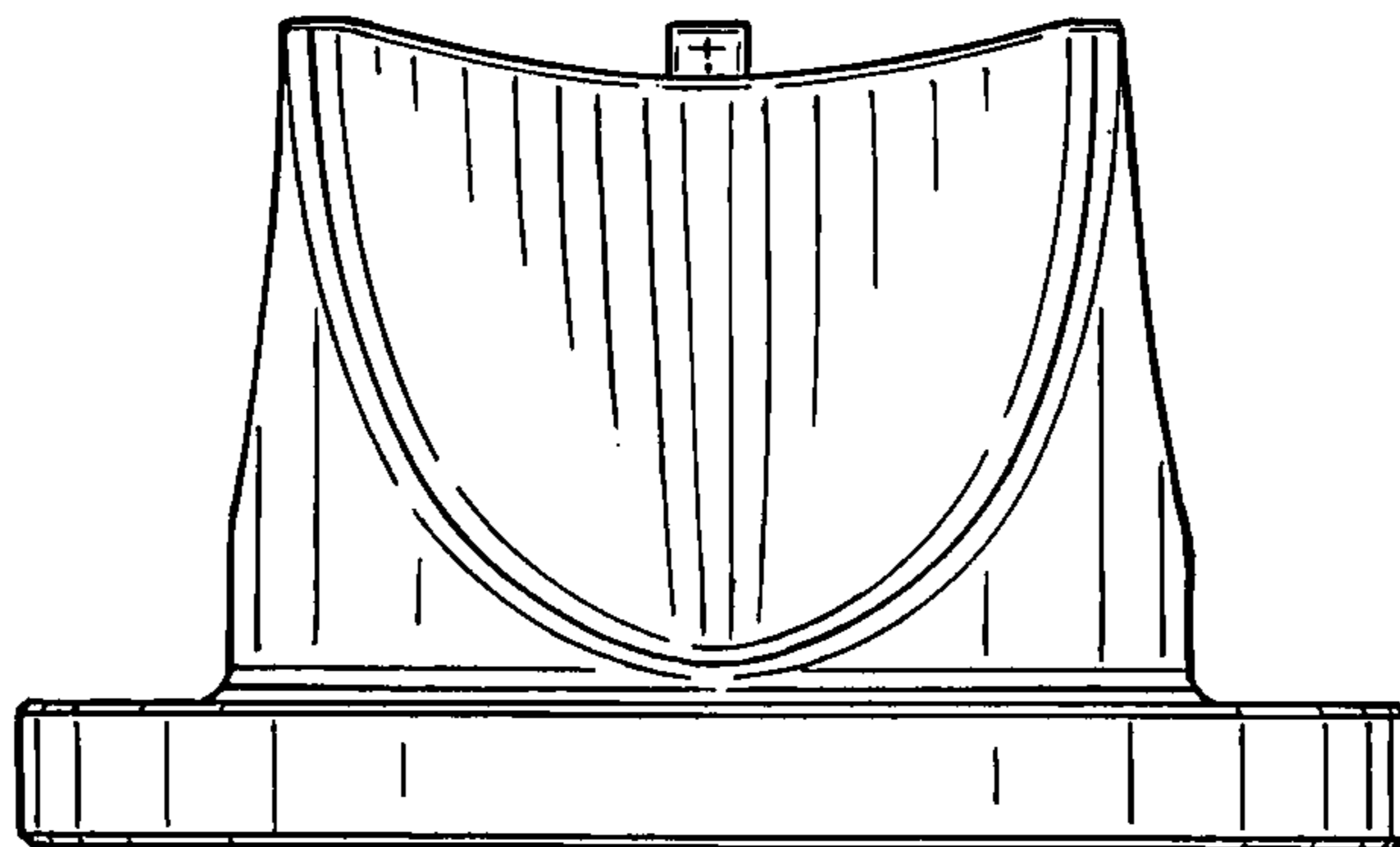
*Fig. 1*



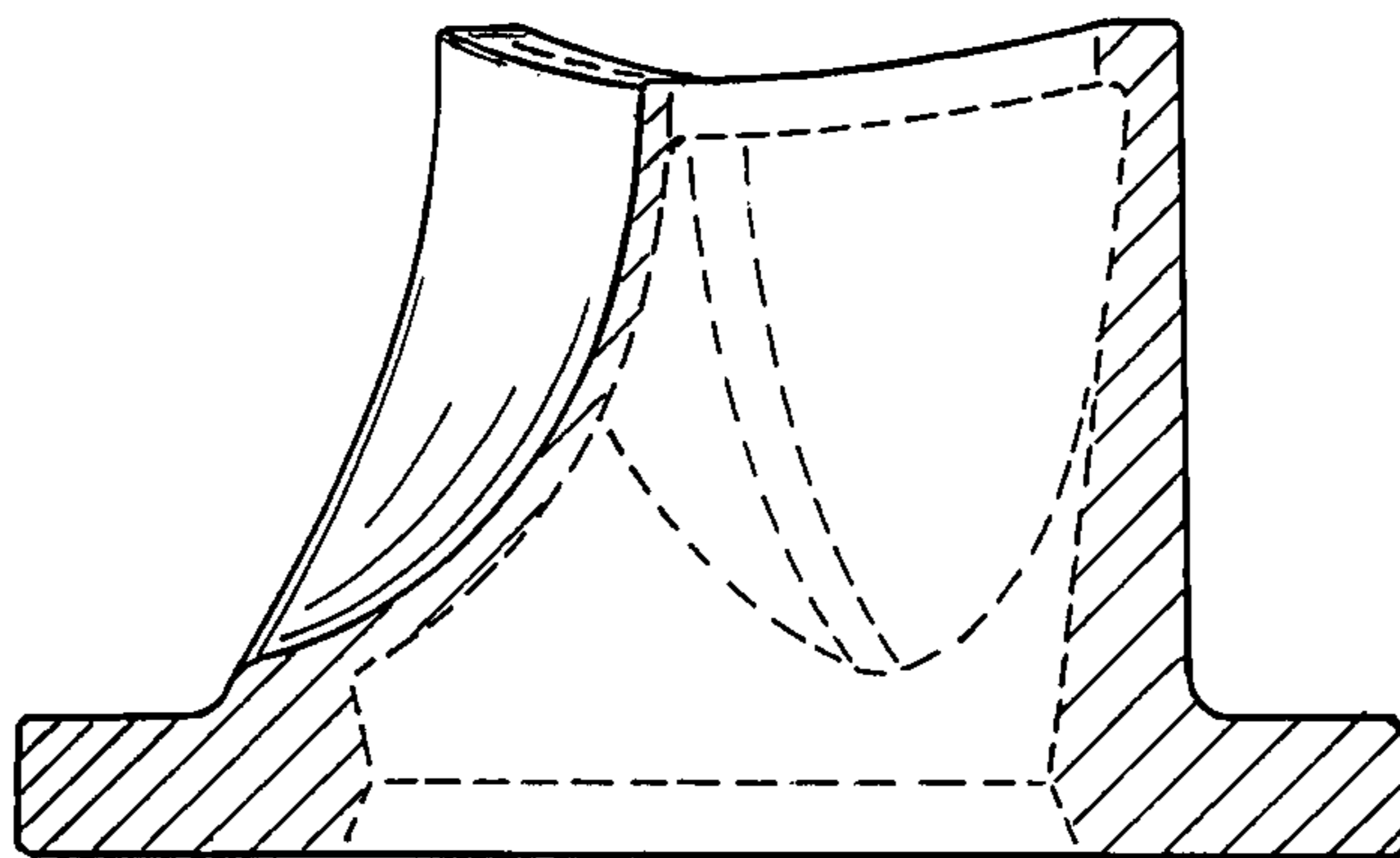
*Fig. 2*



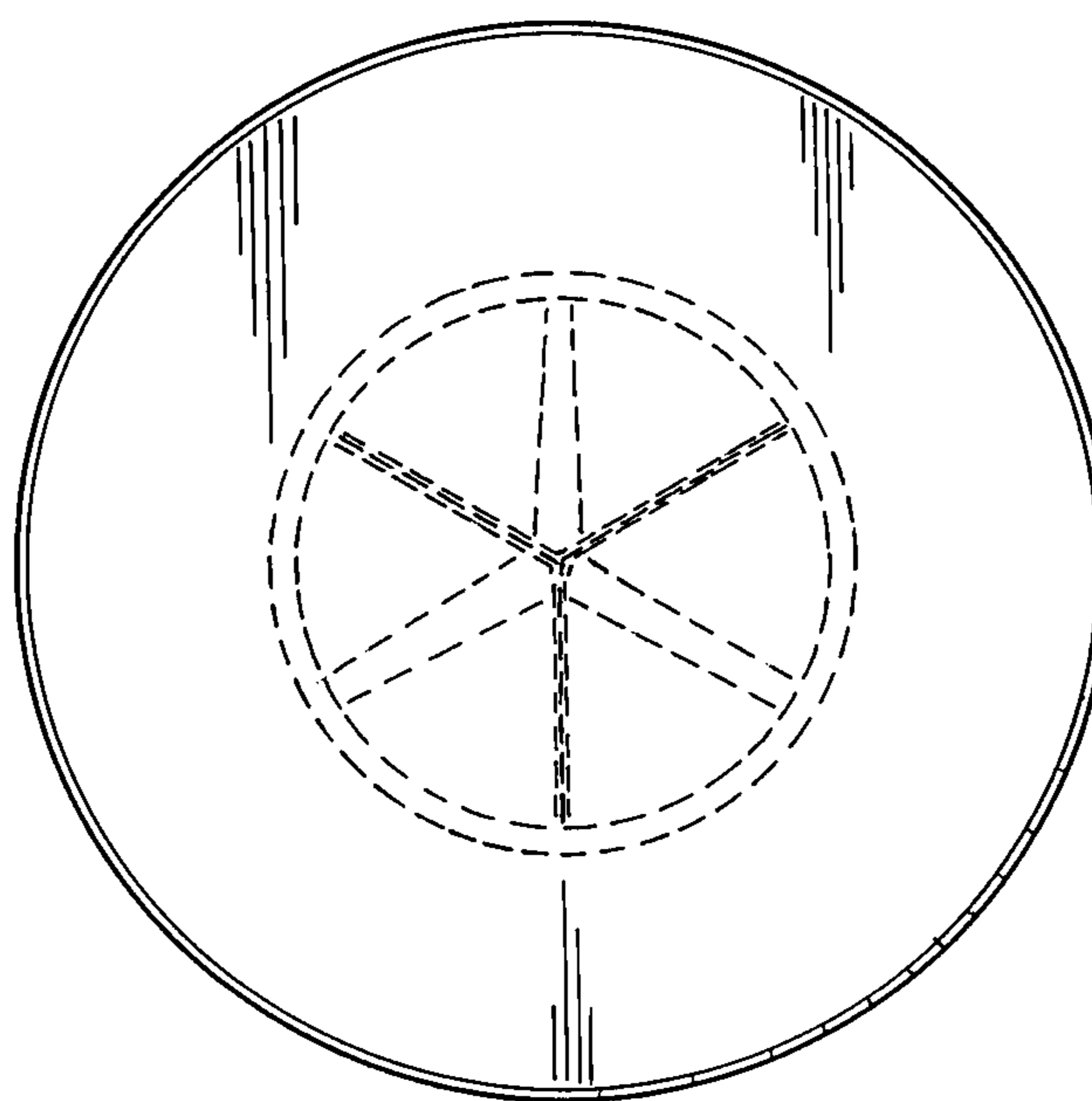
*Fig. 3*



*Fig. 4*



*Fig. 5*



*Fig. 6*